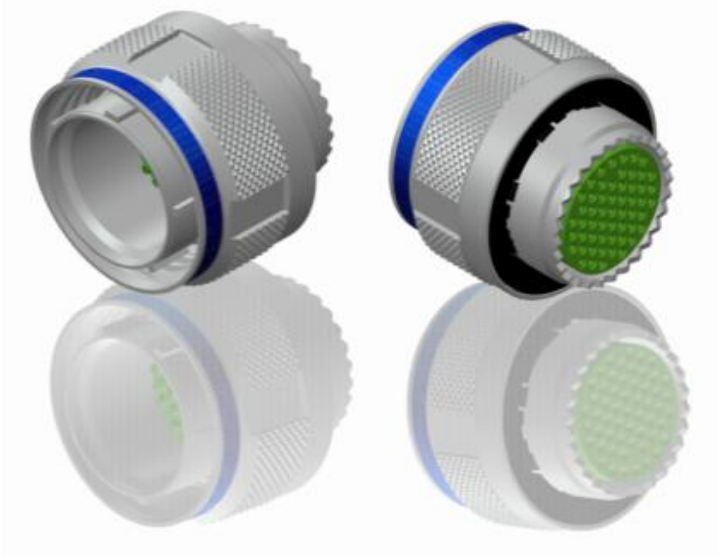
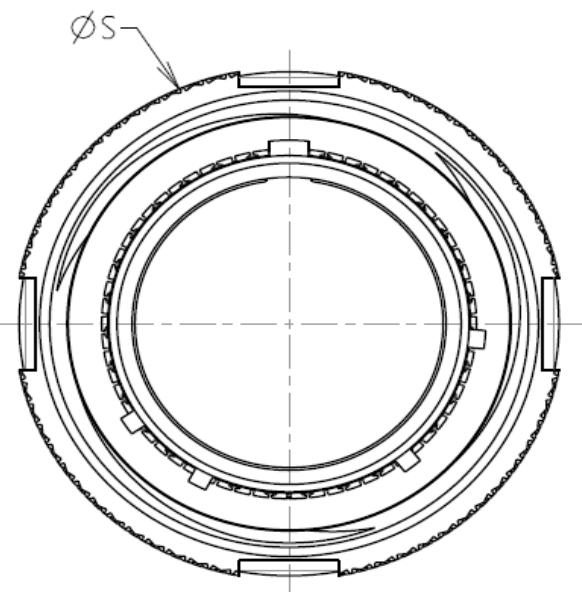
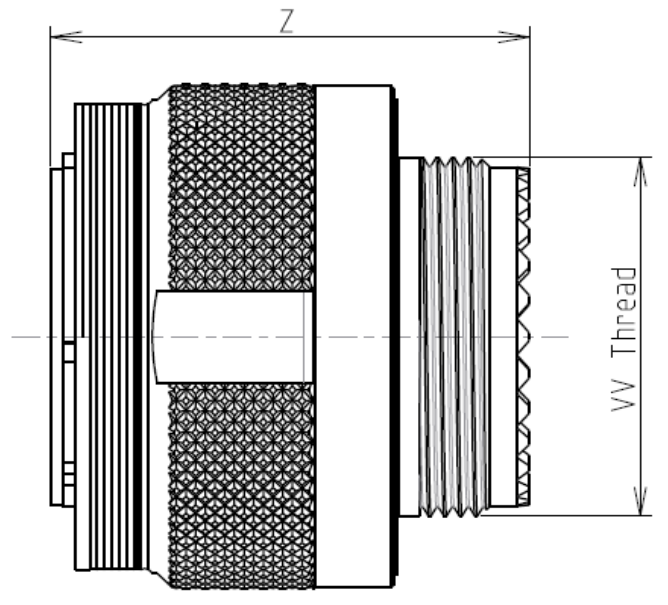


H G F E D C B A



LAYOUT SHOWN AS EXAMPLE

Keying Shown as example

**CHARACTERISTICS**

- Standard : Based on MIL-DTL-38999 Series III
- Shell Material : Stainless Steel
- Shell Plating : Nickel
- Insulator : Thermoplastic
- Contacts : Copper Alloy
- Seals & Grommet : Silicon Elastomer
- Contact Plating : Gold over copper Alloy 0.8µm minimum
- Durability : 500 Mating cycles
- Delivered without Souriau contacts
- Temperature Range : -65°C to +200°C
- Salt Spray : 500 hours
- Mass : 81.77 g ± 10%

Connector dimension	
Dim	Nominal
ØS	38.5 Max
Z	31 Max
VV THREAD	M28x1-6g

SOURIAU shall not be liable for any non-conformity or damage due to a use of the Products which does not comply with the Specifications issued by either of the Parties or by a third party (professional recommendation, technical notice.)

Country	Jurisdiction & Control List
FR	Not Listed

**PN: 8D519S32PEL**

A	19-10-2016	First Release	
ISS	DATE	Latest modification - by	MOD N°
Designed By:		Date:	<b>CUSTOMER DRAWING</b>
<b>TITLE</b>	<b>Stainless Steel Plug 8D series</b>		
SCALE		General linear Tolerances: ±--	NPRDS / PROJECT <b>859</b>
NA	<b>WWW.SOURIAU.COM</b>		This document is the property of SOURIAU it must not be reproduced or communicated without permission
FORMAT	<b>A3</b>		SHEET 1/2
		<b>SOURIAU DRG N° 8D519S32PEL-C</b>	

BASIC SERIES:	8D	5	-	19	S	32	P	E	L	Delivered W/O Contacts
SHELL TYPE :	Plug with RFI Shielding				ORIENTATION : E					
CONTACT TYPE :	Standard Crimp Contact				CONTACT TYPE : PIN(500 Matings)					
SHELL SIZE :	19				CONTACT LAYOUT : 19-32					
PLATING :	S = Nickel									

H G F E D C B A

Contact Layout



Contacts (Insert arrangement 19-32)					
Contact position ID	Contact location		Contact position ID	Contact location	
	X-axis (mm)	Y-axis (mm)		X-axis (mm)	Y-axis (mm)
A	+066 (1.68)	+353 (8.97)	T	-.066 (1.68)	+353 (8.97)
B	+189 (4.80)	+305 (7.75)	U	+000 (0.00)	+230 (5.84)
C	+286 (7.26)	+217 (5.51)	V	+124 (3.15)	+193 (4.90)
D	+345 (8.76)	+098 (2.49)	W	+209 (5.31)	+096 (2.44)
E	+357 (9.07)	-.033 (0.84)	X	+228 (5.79)	-.033 (0.84)
F	+321 (8.15)	-.160 (4.06)	Y	+174 (4.42)	-.151 (3.84)
G	+242 (6.15)	-.265 (6.73)	Z	+065 (1.65)	-.221 (5.61)
H	+130 (3.30)	-.335 (8.51)	a	-.065 (1.65)	-.221 (5.61)
J	-.000 (0.00)	-.359 (9.12)	b	-.174 (4.42)	-.151 (3.84)
K	-.130 (3.30)	-.335 (8.51)	c	-.228 (5.79)	-.033 (0.84)
L	-.242 (6.15)	-.265 (6.73)	d	-.209 (5.31)	+096 (2.44)
M	-.321 (8.15)	-.160 (4.06)	e	-.124 (3.15)	+193 (4.90)
N	-.357 (9.07)	-.033 (0.84)	f	+000 (0.00)	+096 (2.44)
P	-.345 (8.76)	+098 (2.49)	g	+096 (2.44)	+000 (0.00)
R	-.286 (7.26)	+217 (5.51)	h	+000 (0.00)	-.096 (2.44)
S	-.189 (4.80)	+305 (7.75)	j	-.096 (2.44)	+000 (0.00)

Shell size	Arrangement no.	Number of contacts	Size contacts	Service rating	Contact location	Supersedes
19	-32	32	20	I	All	MS20054-32

SOURIAU shall not be liable for any non-conformity or damage due to a use of the Products which does not comply with the Specifications issued by either of the Parties or by a third party (professional recommendation, technical notice.)

Country	Jurisdiction & Control List
FR	Not Listed

PN: 8D519S32PEL

A	19-10-2016	First Release	
ISS	DATE	Latest modification - by	MOD N°
Designed By:		Date:	<b>CUSTOMER DRAWING</b>
<b>TITLE</b>	<b>Stainless Steel Plug 8D series</b>		
SCALE		General linear Tolerances: ±--	NPRDS / PROJECT <b>859</b>
<b>SOURIAU</b>	<b>WWW.SOURIAU.COM</b>		This document is the property of SOURIAU it must not be reproduced or communicated without permission
FORMAT	<b>SOURIAU DRG N° 8D519S32PEL-C</b>		SHEET 2/2