

4

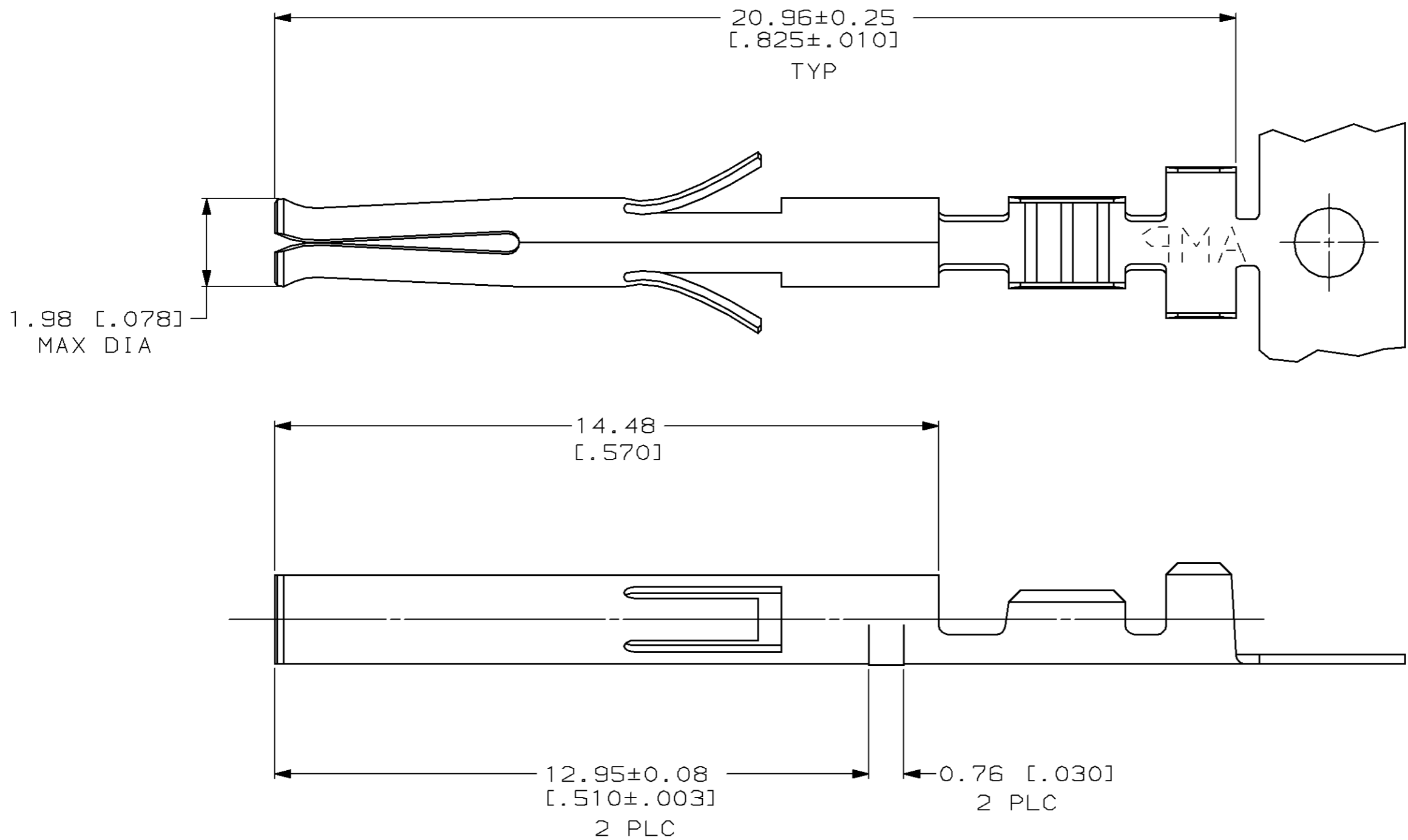
3

2

1

THIS DRAWING IS UNPUBLISHED. RELEASED FOR PUBLICATION ,19 .  
© COPYRIGHT 19 BY AMP INCORPORATED. ALL RIGHTS RESERVED.

LOC	DIST	REVISIONS			
P	LTR	DESCRIPTION	DATE	DWN	APVD
FT	47				
	0	RLSE -2 PER NPR 3, WAS 96-4986-1	28 JUL 96	-	-
	A	REV PER EC 0320-47-96	6 SEP 96	CO	KD



788000-2  
PART NUMBER

1. WIRE RANGE = 18-20 AWG.
2. INSULATION RANGE = 2.03 [0.080]-2.54 [0.100].

<small>THIS DRAWING IS A CONTROLLED DOCUMENT FOR AMP INCORPORATED. IT IS SUBJECT TO CHANGE AND THE CONTROLLING ENGINEERING ORGANIZATION SHOULD BE CONTACTED FOR THE LATEST REVISION.</small>		DWN 28 JUL 96 <b>W.G. LENKER</b> CHK 29 JUL 96 <b>R. STONE</b> APVD 31 JUL 96 <b>K. DOWHOWER</b>	<b>AMP</b> AMP Incorporated Harrisburg, PA 17105-3608
DIMENSIONS: mm [INCHES]	TOLERANCES UNLESS OTHERWISE SPECIFIED: 0 PLC ±- 1 PLC ±- 2 PLC ±0.13 [0.005] 3 PLC ±- 4 PLC ±- ANGLES ±-	PRODUCT SPEC 108-10032 APPLICATION SPEC 114-10011	NAME <b>SOCKET CONTACT, 20-18, AUDIO</b>
MATERIAL BRASS	FINISH 3.30 μm [0.00130] MIN TIN	WEIGHT -	SIZE A3 CAGE CODE 00779 DRAWING NO C=788000
CUSTOMER DRAWING			SCALE 10:1 SHEET 1 OF 1 REV A