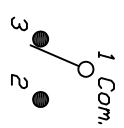


RECOMMENDED P.C.B. LAYOUT  
NOT TO SCALE



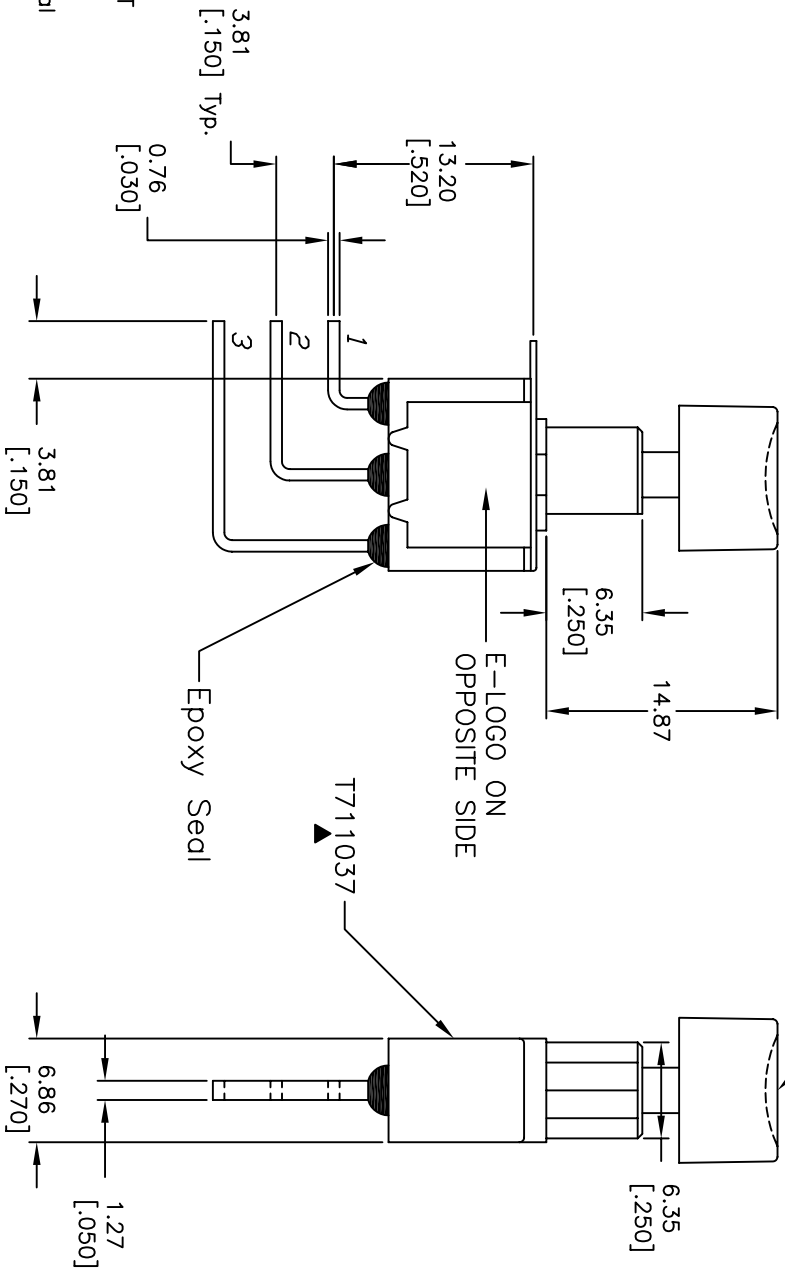
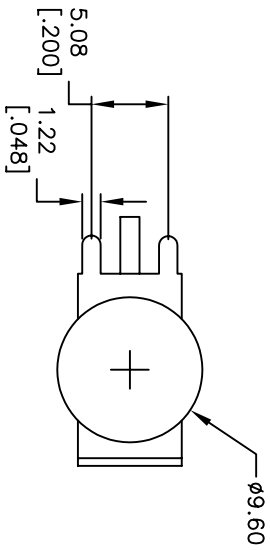
CIRCUIT: SPDT

SWITCH FUNCTION	
DN	<DN>
1-3	1-2

( ) = MOMENTARY

NOTES:

1. ALL DIMENSIONS IN MM [INCH]
2. GENERAL TOLERANCE: X.X=±0.4  
X.XX=±0.25
3. TERM. NOS. FOR REF. ONLY
4. RATING: 0.4(VA) max. @20V (AC or DC)
5. MATERIAL: FIXED TERMINAL & MOVING CONTACT  
Copper Alloy w/GOLD plate over  
Nickel plate
6. CONTACT RESISTANCE: 20milli Ohms max initial  
@2-4VDC, 100mA for AG & AU
7. ELECTRICAL LIFE: 50,000 make-and-break  
cycles at full load.
8. INSULATION RESISTANCE: 1,000M ohm min.
9. DIELECTRIC STRENGTH: 1000V RMS @sea level
10. OPERATING TEMP.: -30°C to 85°C
11. ▲ DENOTES CRITICAL PARAMETER



**E-SWITCH®**

REV.	ECN No.	DESCRIPTION	DATE	CHKD	SCALE	DATE	DR	DWG	REV
A	15174	NEW RELEASE	8/17/05	PV	2:1	8/17/05	PV	XT0131P	A

THE INFORMATION CONTAINED IN THIS DOCUMENT IS PROPRIETARY TO E-SWITCH AND IS NOT TO BE COPIED OR TRANSMITTED

700 SP7 B21 M7 RE C2 BLK