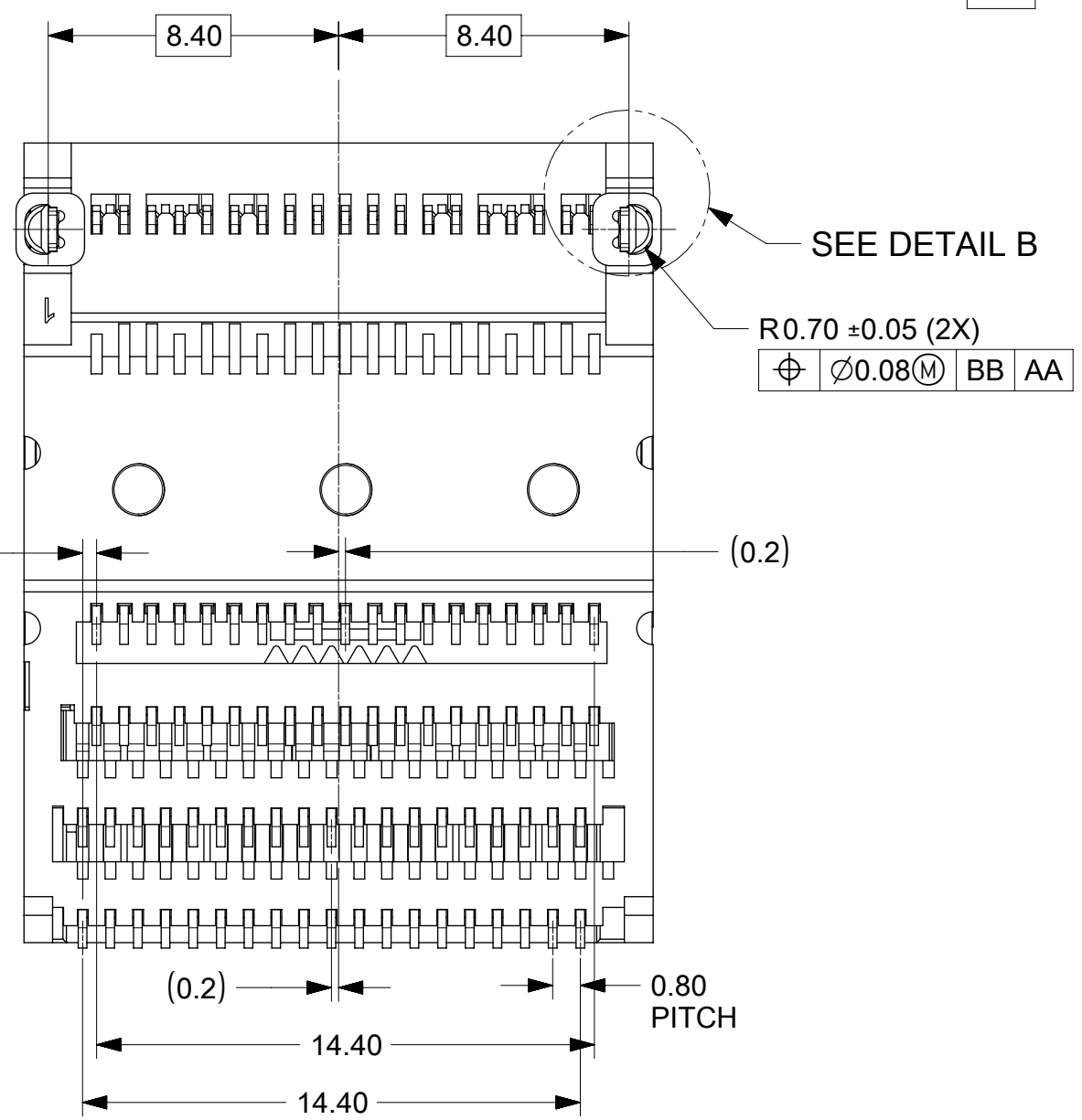
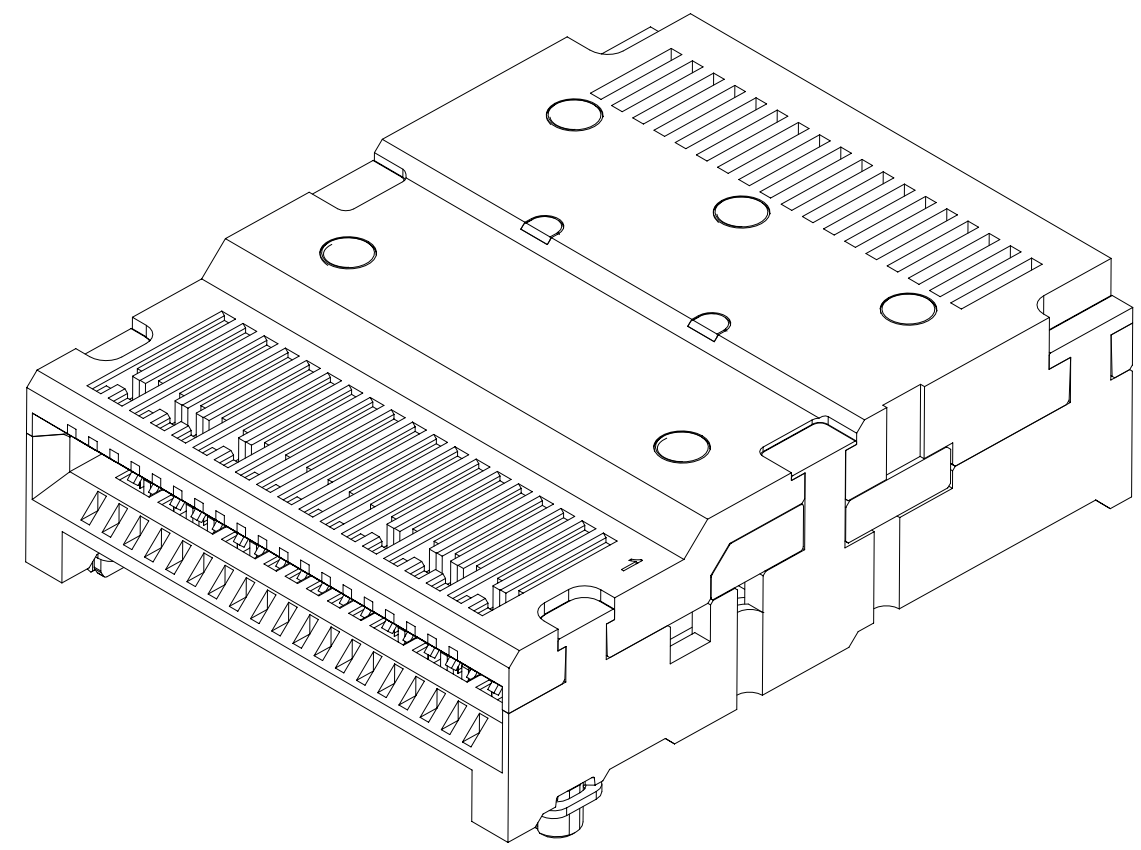
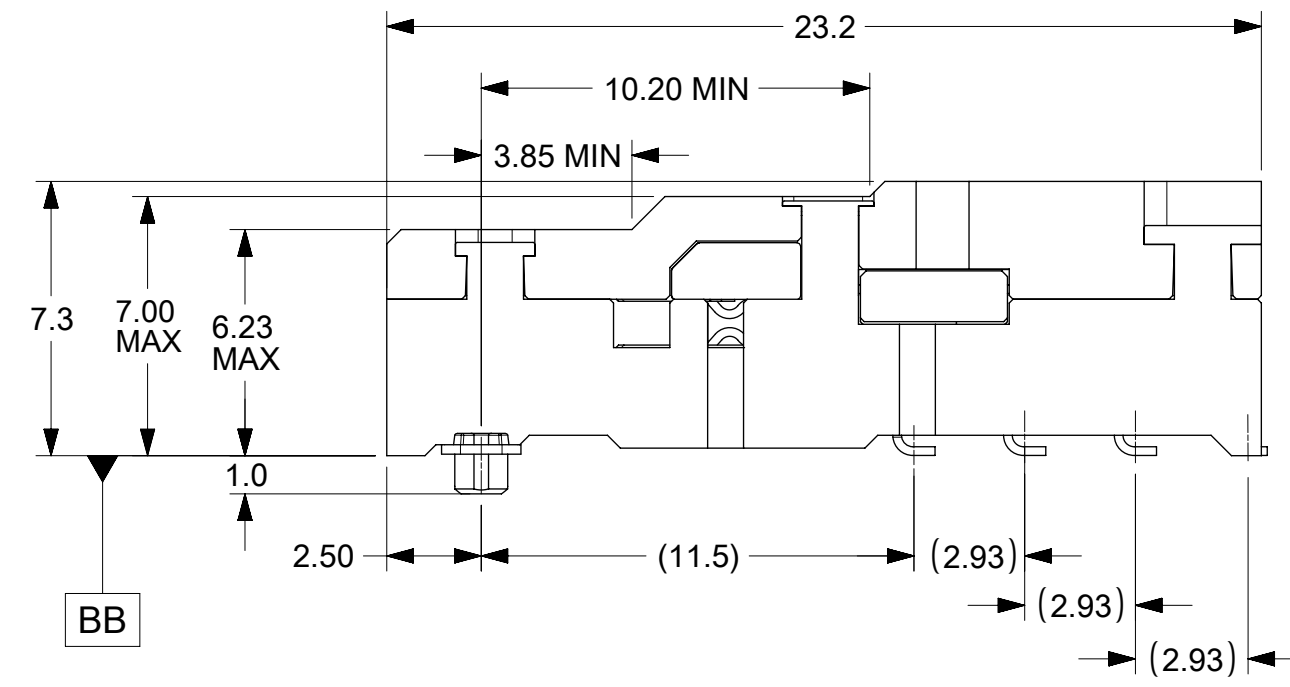
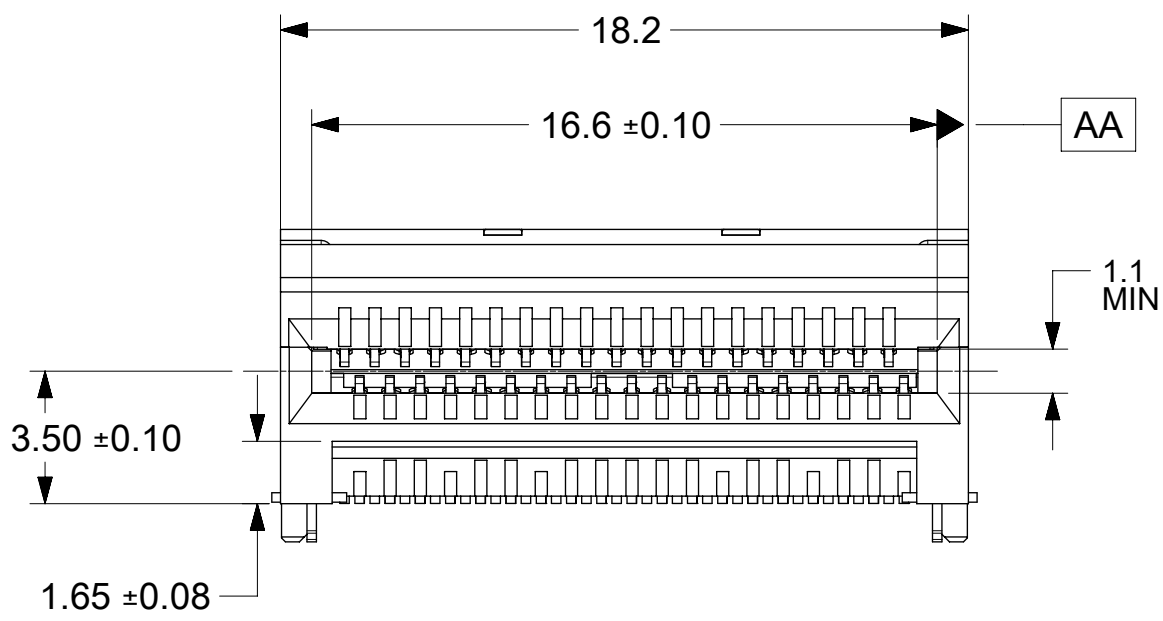
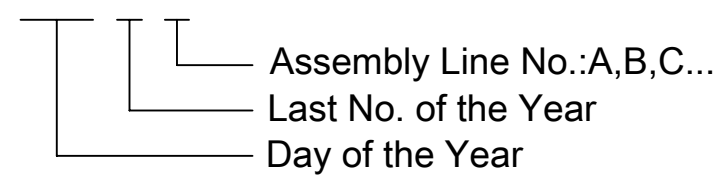


DATE CODE  
SEE NOTES 10

DDDYNN

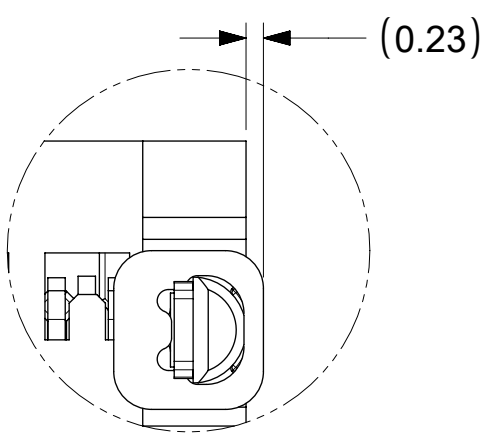
NOTES

1. MATERIAL:  
HOUSING - HIGH TEMPERATURE THERMOPLASTIC GLASS FILLED. UL 94V-0. BLACK.  
TERMINALS - COPPER ALLOY  
SOLDER RING / NAIL: NICKEL SILVER
2. PLATING:  
CONTACT AREA - 0.76um MIN GOLD OVER 2.54um MIN NICKEL  
SOLDER AREA - 2.54um MIN TIN OVER 2.54um MAX NICKEL
3. TERMINAL SOLDER FEET TO BE COPLANAR WITHIN 0.10/.004 MEASURED FROM FRONT HOUSING STAND OFF (DATUM -BB-)
4. DATE CODE: 4 DIGIT (3 DIGIT DATE, 1 DIGIT YEAR)
5. CIRCUIT IDENTIFIER: SEE APPROPRIATE INDUSTRY SPECIFICATION FOR LOCATION OF PIN 1
6. PACKAGED PER PACKING SPECIFICATION: 2027188000
7. CONFORMS TO PRODUCT SPECIFICATION: 2027189010-PS
8. APPLICATION SPECIFICATION: 2027189030-AS
9. THIS PART CONFORMS TO CLASS C REQUIREMENTS OF COSMETIC SPECIFICATION PS-45499-002
10. DATE CODE : DDD Y N



SEE DETAIL B

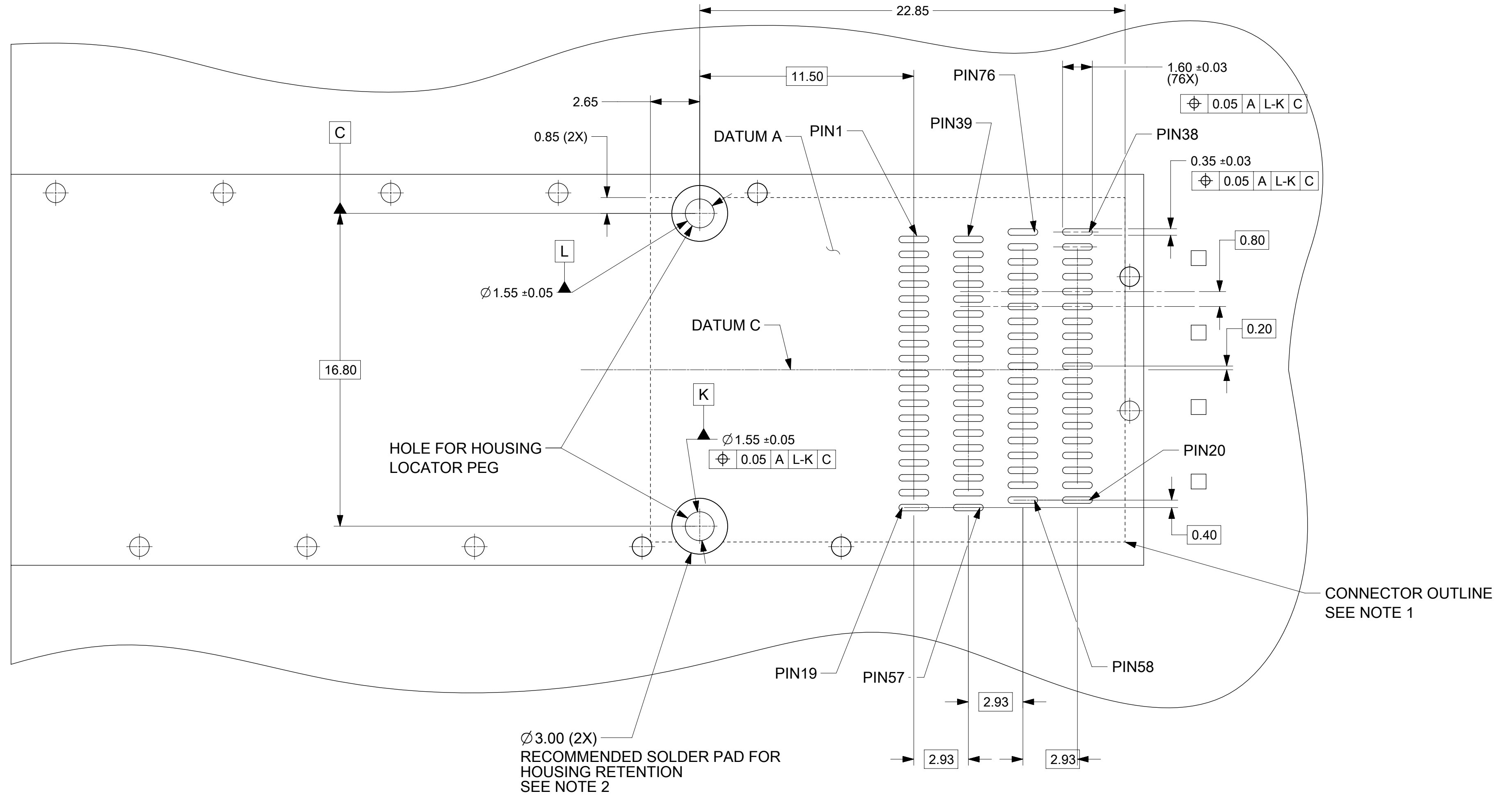
R0.70 ± 0.05 (2X)  
Ø0.08 (M) BB AA



DETAIL B  
SCALE 10:1

FUNCTIONAL SYMBOLS	THIS DRAWING CONTAINS INFORMATION THAT IS PROPRIETARY TO MOLEX ELECTRONIC TECHNOLOGIES, LLC AND SHOULD NOT BE USED WITHOUT WRITTEN PERMISSION		CURRENT REV DESC:		<b>molex</b>
	DIMENSION UNITS	SCALE			
$\nabla_A = 0$	mm	5:1			ASSEMBLY DDQ SMT CONNECTOR 76CKT
$\nabla_C = 0$	GENERAL TOLERANCES (UNLESS SPECIFIED)				
$\nabla_P = 0$	ANGULAR TOL ± 1.0°				PRODUCT CUSTOMER DRAWING
#####	4 PLACES	±	EC NO: 690119	2021/12/01	
	3 PLACES	±	DRWN: SSU09	2021/12/24	
	2 PLACES	± 0.13	CHK'D: WZHAO21	2021/12/24	
	1 PLACE	± 0.25	APPR: WZHAO21	2021/12/24	
	0 PLACES	±	INITIAL REVISION:		
	DRAFT WHERE APPLICABLE MUST REMAIN WITHIN DIMENSIONS		DRWN: LZHUANG06	2017/04/07	DOCUMENT NUMBER
	THIRD ANGLE PROJECTION		APPR: SMILLER	2017/12/18	2027180100
	DRAWING		SERIES	MATERIAL NUMBER	CUSTOMER
	C-SIZE		202718		
					DOC TYPE DOC PART REVISION
					PSD 000 C6
					SHEET NUMBER
					1 OF 3

# MOTHERBOARD FOOTPRINT RECOMMENDATION



**NOTE:**

1. THE ENTIRE AREA UNDER THE CONNECTOR IS KEEP OUT ZONE FOR COMPONENTS.
2. SEE APPLICATION SPECIFICATION 2027189030-AS FOR RECOMMENDATIONS ON REFLOW SOLDERING AND REWORK.
3. SEE MOLEX ROUTING GUIDE 2027189040-RS FOR RECOMMENDATIONS ON PCB DESIGN
4. SEE PRODUCT SPECIFICATION 2027189010-PS FOR CONNECTOR PERFORMANCE SPECIFICATIONS.
5. THIS PART IS FULLY COMPLIANT WITH QSFP-DD MSA AND DESIGNED TO WORK WITH ALL COMPLIANT CAGES AND TRANSCEIVERS.

FUNCTIONAL SYMBOLS	THIS DRAWING CONTAINS INFORMATION THAT IS PROPRIETARY TO MOLEX ELECTRONIC TECHNOLOGIES, LLC AND SHOULD NOT BE USED WITHOUT WRITTEN PERMISSION		CURRENT REV DESC:		<b>molex</b>
	DIMENSION UNITS	SCALE			
$\nabla_A = 0$	mm	5:1			ASSEMBLY DDQ SMT CONNECTOR 76CKT
$\nabla_C = 0$	GENERAL TOLERANCES (UNLESS SPECIFIED)				
$\nabla_P = 0$	ANGULAR TOL $\pm 1.0^\circ$				PRODUCT CUSTOMER DRAWING
#####	4 PLACES	$\pm$	EC NO: 690119	2021/12/01	
	3 PLACES	$\pm$	DRWN: SSU09	2021/12/24	
	2 PLACES	$\pm 0.13$	CHK'D: WZHAO21	2021/12/24	
	1 PLACE	$\pm 0.25$	APPR: WZHAO21	2021/12/24	
	0 PLACES	$\pm$	INITIAL REVISION:		
	DRAFT WHERE APPLICABLE MUST REMAIN WITHIN DIMENSIONS		DRWN: LZHUANG06	2017/04/07	
	THIRD ANGLE PROJECTION		APPR: SMILLER	2017/12/18	
	DRAWING SERIES		C-SIZE	202718	
	DOCUMENT NUMBER		CUSTOMER		2027180100
	DOC TYPE		DOC PART	REVISION	PSD 000 C6
	MATERIAL NUMBER		SHEET NUMBER		2 OF 3

REVISION	DATE	DISCRIPTION
1	04/07/2017	INITIAL CONCEPT
2	09/27/2017	ADDED SHEET SHOWING VIEWS OF BOTH SINGLE SIDE AND BELLY TO BELLY MOUNTING, ADDED SOLDER PAD FOR HOUSING RETENTION, AND ADHESIVE PADS ADDED EXPLODED VIEWS
A	12/06/2017	INITIAL PROPOSAL - (ER)
A1	12/18/2017	INITIAL RELEASE (NEW PRODUCT)
B	12/21/2017	UPDATE VIEWS
B1	02/02/2018	UPDATE VIEWS, ADD PK AS PS SPEC, ADD ADHESIVE PADS NOTE, CORRECT BELLY TO BELLY PCB LAYOUT
B2	4/11/2018	ALIGN DIMENSIONAL CALLOUTS TO MATCH MSA
C	4/25/2018	ADD TWO PASS REFLOW PROCESS NOTE
C1	10/23/2018	DRAWING CLEANUP: SH04 SIZE C WAS D. SH05 SIZE C WAS D.
C2	01/15/2019	SH04/B12,ADDEDTRACEKEEPOUTNOTES1THRU5;SH04/C3,CHANGEDUHATCHEDREGIONSURFACETRACEPERMISSION;SH04,ADDEDNEWTRACEKEEPOUTREGIONS.
C3	02/13/2020	UPDATE SHEET 1 HEAT STAKED
C4	03/02/2020	1.ADD SOLDER RING NOTCH ; 2.UPDATE HEAT STAKE POST FINAL STATUS.
C5	06/28/2021	UPDATE DATE CODE FORMAT, FROM "DDDY" TO "DDYN"
C6	12/01/2021	1.REMOVE SHEET 4 FOR PCB LAYOUT AND KEEPOUT INFORTION, REMOVE SHEET 5 FOR CAGE INFORMATION, COMBINE SHEET 6 PIN MAP TO SHEET 2. 2.UPDATE SHEET 2 CAGE HOLE DIM TO REFERENCE, WAS BAISC DIM. 3.UPDATE NOTES ON SHEET 3 FOR PCB LAYOUT TRACE AND KEEPOUT INFORMATION.

<b>FUNCTIONAL SYMBOLS</b> FA = 0 FC = 0 FP = 0 ##### DRAFT WHERE APPLICABLE MUST REMAIN WITHIN DIMENSIONS	THIS DRAWING CONTAINS INFORMATION THAT IS PROPRIETARY TO MOLEX ELECTRONIC TECHNOLOGIES, LLC AND SHOULD NOT BE USED WITHOUT WRITTEN PERMISSION		DIMENSION UNITS: <b>mm</b> SCALE: <b>1:1</b>		CURRENT REV DESC:  EC NO: 690119 DRWN: SSU09 2021/12/01 CHK'D: WZHAO21 2021/12/24 APPR: WZHAO21 2021/12/24		  ASSEMBLY DDQ SMT CONNECTOR 76CKT			
	GENERAL TOLERANCES (UNLESS SPECIFIED) ANGULAR TOL ± 1.0°		4 PLACES ± 3 PLACES ± 2 PLACES ± 0.13 1 PLACE ± 0.25 0 PLACES ±		INITIAL REVISION: DRWN: LZHUANG06 2017/04/07 APPR: SMILLER 2017/12/18					
	DOCUMENT NUMBER: <b>2027180100</b>		DOC TYPE: PSD		DOC PART: 000		REVISION: <b>C6</b>			
	DRAFT WHERE APPLICABLE MUST REMAIN WITHIN DIMENSIONS		THIRD ANGLE PROJECTION		DRAWING: <b>C-SIZE</b>		SERIES: <b>202718</b>		MATERIAL NUMBER: _____ CUSTOMER: _____ SHEET NUMBER: <b>3 OF 3</b>	