

- NOTES:
- MATERIALS: HOUSING - LIQUID CRYSTAL POLYMER (LCP)
GLASS-FILLED, UL94V-0
TERMINALS - HIGH PERFORMANCE COPPER ALLOY
 - FINISH: 30uIN GOLD IN CONTACT AREA.
SELECTIVE TIN ON PCB TAILS.
NICKEL OVERALL.
 - REFER TO MOLEX PRODUCT SPECIFICATION PS-171320-999 FOR PERFORMANCE SPECIFICATIONS.
 - THIS PART CONFORMS TO CLASS B REQUIREMENTS OF MOLEX COSMETIC SPEC PS-45499-002.
 - PRODUCT WILL BE PACKAGED PER PK-78888-087.
 - SEE SHEETS 2, 3, AND 4 FOR HOLE PATTERN AND MATED PART DIMENSIONS.
 - MATES WITH IMPEL DC SERIES NUMBER 171760.
 - REFER TO IMPEL PCB ROUTING GUIDE AS-171320-990 FOR ANTIPAD, ROUTING RECOMMENDATIONS, AND ADDITIONAL PCB INFORMATION.
 - THE KEEP-OUT ZONE FOR THE BP HOUSING LENGTH INCLUDES THE NECESSARY SPACE REQUIRED FOR THE MATING DAUGHTERCARD HOUSING.
 - PART IS SUPPLIED WITH ONE 2-56 UNC-2A SCREW (MOLEX P/N 73774-1000).

THIS DRAWING CONTAINS INFORMATION THAT IS PROPRIETARY TO MOLEX ELECTRONIC TECHNOLOGIES, LLC AND SHOULD NOT BE USED WITHOUT WRITTEN PERMISSION									
DIMENSION UNITS		SCALE		CURRENT REV DESC: MIGRATED TO NX				molex	
MM		4:1							
GENERAL TOLERANCES (UNLESS SPECIFIED)				EC NO: 177650				IMPEL 6 PAIR BACKPLANE 3MM PITCH ASSEMBLY GUIDE RIGHTS SALES DRAWING	
ANGULAR TOL ± 0.5°				DRWN: ABN 2018/06/19					
4 PLACES ±				CHK'D: ABN 2018/06/19				PRODUCT CUSTOMER DRAWING	
3 PLACES ±				APPR: DWLEE01 2018/06/25					
2 PLACES ± 0.13				INITIAL REVISION:				DOCUMENT NUMBER	
1 PLACE ± 0.25				DRWN: BIANOWIAK 2013/03/25					
0 PLACES ±				APPR: JLAURX 2014/03/24				SD-171755-0004	
DRAFT WHERE APPLICABLE MUST REMAIN WITHIN DIMENSIONS		THIRD ANGLE PROJECTION		DRAWING		SERIES		MATERIAL NUMBER	
		C-SIZE		171755		SEE CHART		CUSTOMER	
						GENERAL MARKET		SHEET NUMBER	
								1 OF 4	

DOCUMENT STATUS	P1	RELEASE DATE	2018/06/25 14:37:54
-----------------	----	--------------	---------------------

MATERIAL NUMBER	NUMBER OF COLUMNS	NUMBER OF DIFF PAIR	DIM "A"	DIM "B"	DIM "C"	DIM "P"	PTH \varnothing
171755-58*4	8	48	31.30	21.00	1.10	4.90	0.46±0.05
171755-58*5	8	48	31.30	21.00	1.10	5.50	0.46±0.05
171755-58*7	8	48	31.30	21.00	1.20	4.90	0.36±0.05
171755-58*4	8	48	31.30	21.00	1.20	5.50	0.36±0.05
171755-52*4	12	72	43.00	33.00	1.10	4.90	0.46±0.05
171755-52*5	12	72	43.00	33.00	1.10	5.50	0.46±0.05
171755-52*7	12	72	43.00	33.00	1.20	4.90	0.36±0.05
171755-52*4	12	72	43.00	33.00	1.20	5.50	0.36±0.05

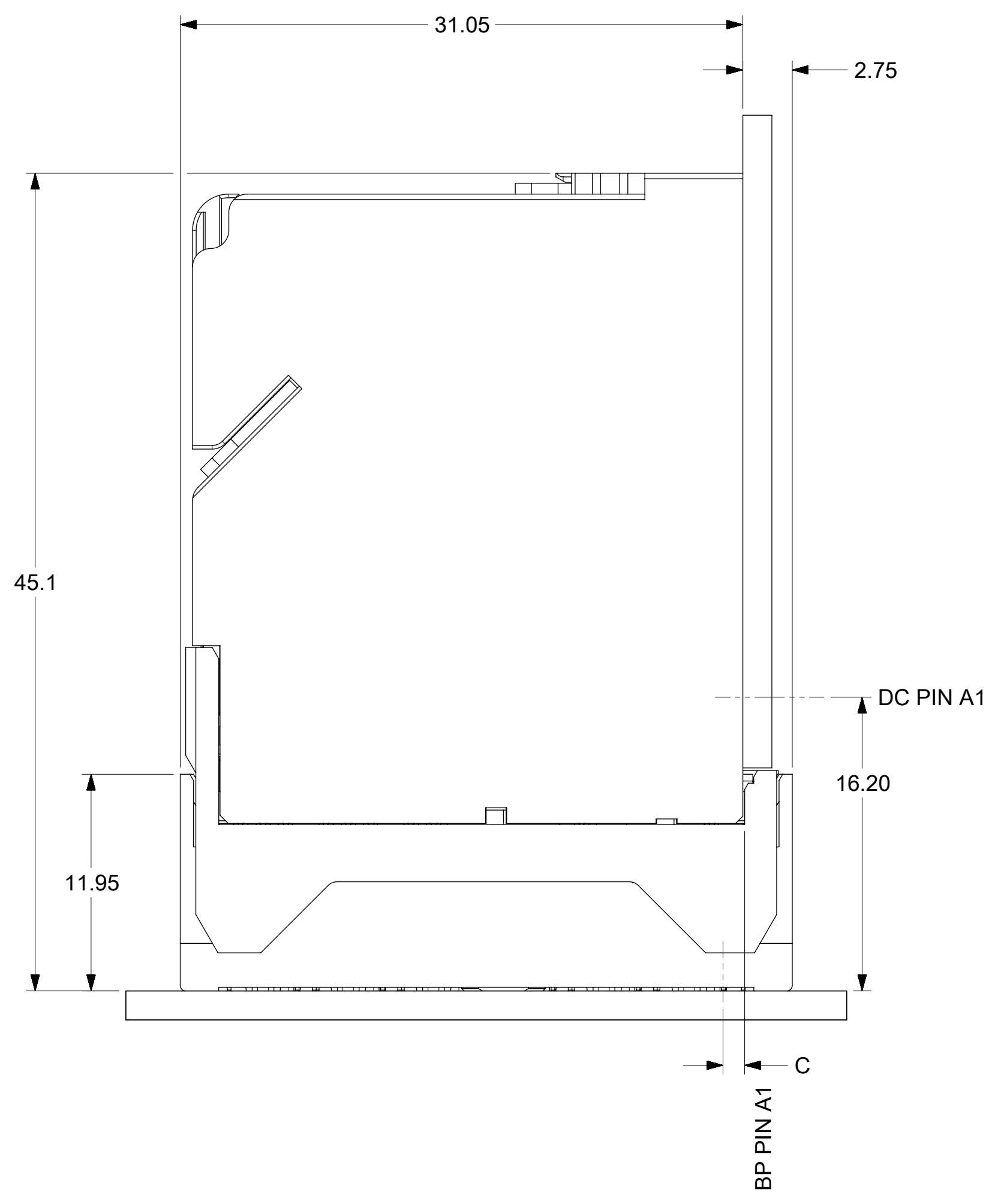
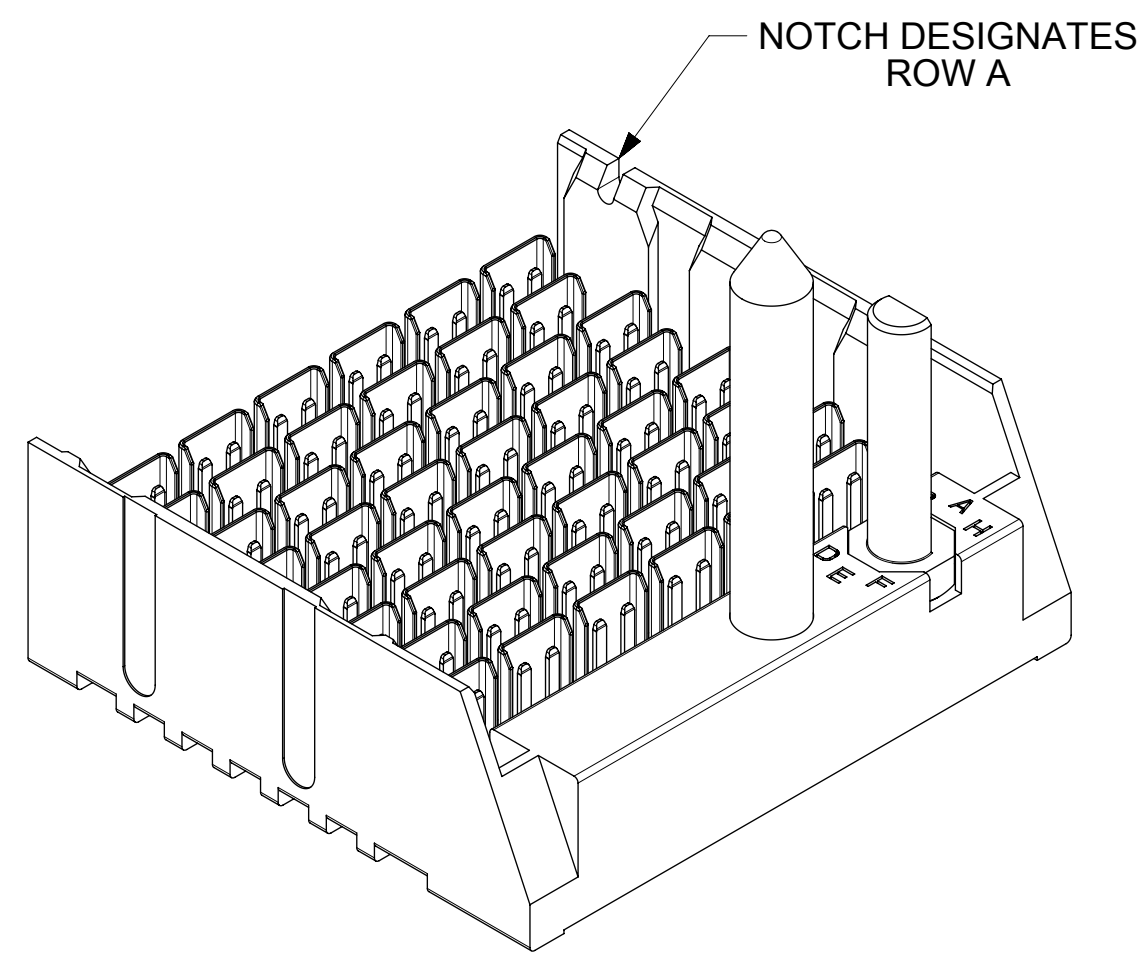
171755-5 * * *

MODULE TYPE
5 = GUIDE LEFT

OF COLUMNS
8 = 8 COL
2 = 12 COL

PIN LENGTH (P)
4 = 4.90 (0.46 PTH)
5 = 5.50 (0.46 PTH)
7 = 4.90 (0.36 PTH)
8 = 5.50 (0.36 PTH)

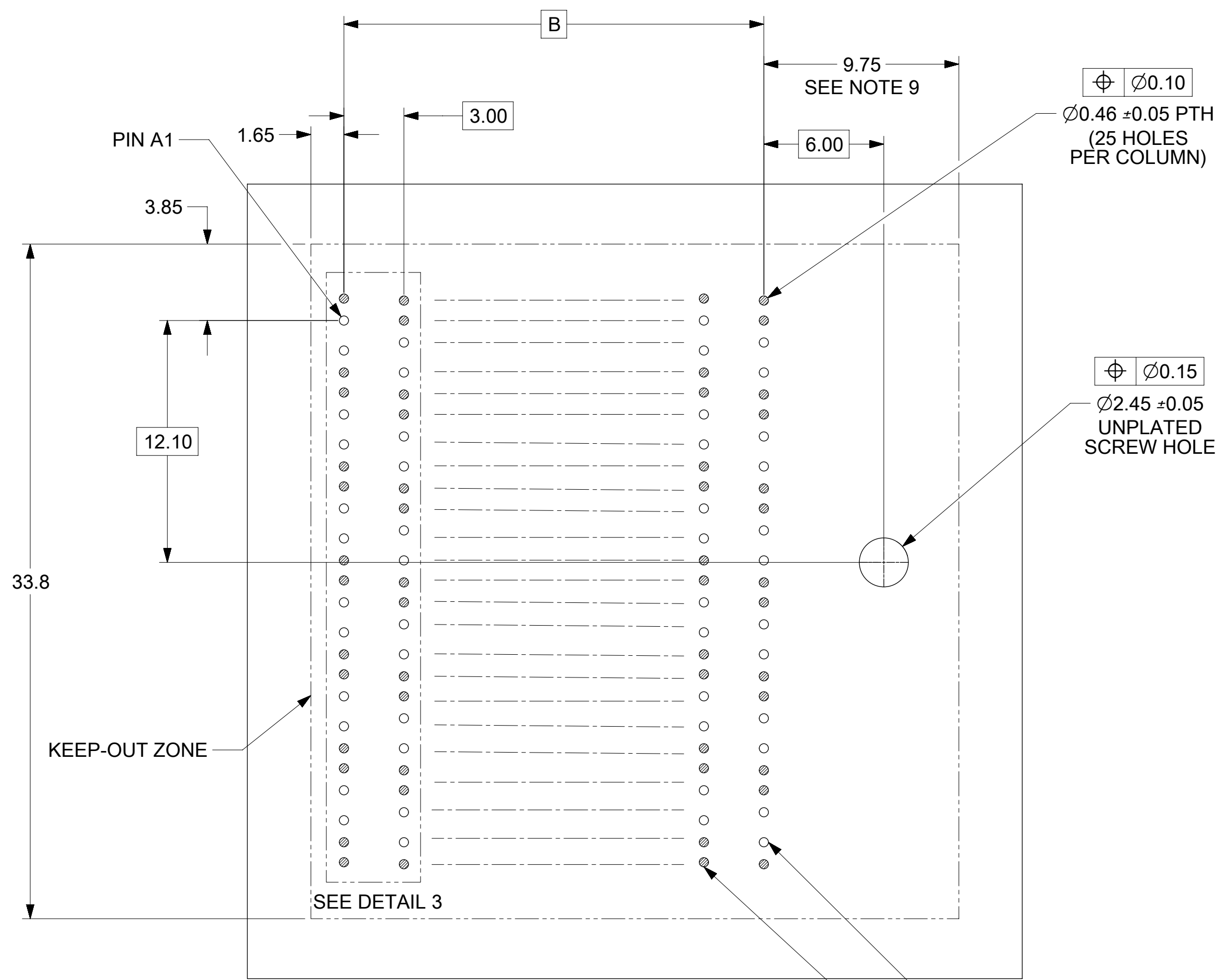
KEY ORIENTATION
0 = NO KEY
1 = A 5 = E
2 = B 6 = F
3 = C 7 = G
4 = D 8 = H



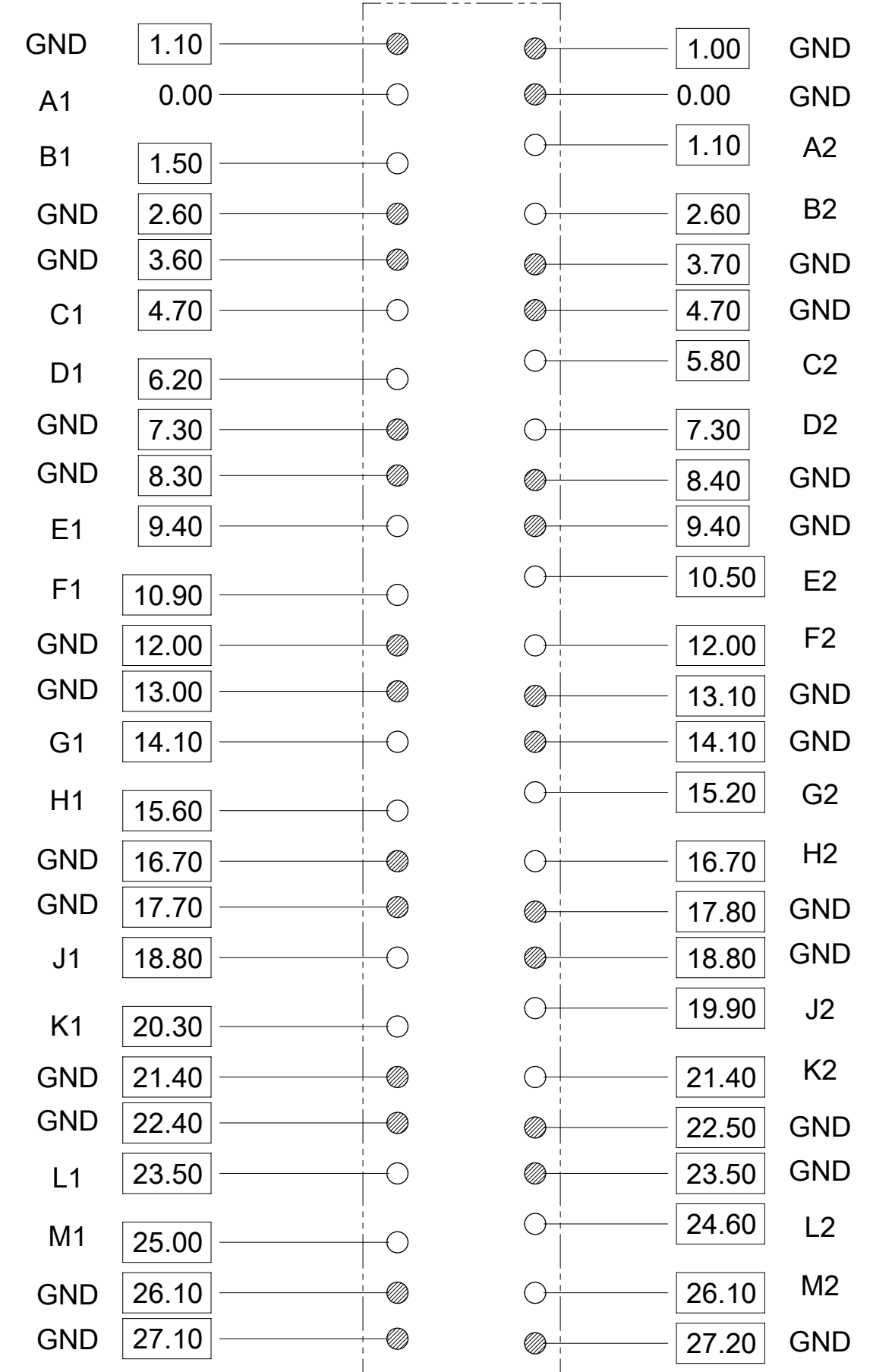
MATED PART DIMENSIONS

THIS DRAWING CONTAINS INFORMATION THAT IS PROPRIETARY TO MOLEX ELECTRONIC TECHNOLOGIES, LLC AND SHOULD NOT BE USED WITHOUT WRITTEN PERMISSION

DIMENSION UNITS MM	SCALE 4:1	CURRENT REV DESC: MIGRATED TO NX		molex		
GENERAL TOLERANCES (UNLESS SPECIFIED)		EC NO: 177650				
ANGULAR TOL ± 0.5°	4 PLACES ±	DRWN: ABN	2018/06/19	PRODUCT CUSTOMER DRAWING		
3 PLACES ±	2 PLACES ± 0.13	CHK'D: ABN	2018/06/19	DOCUMENT NUMBER		
1 PLACE ± 0.25	0 PLACES ±	APPR: DWLEE01	2018/06/25	SD-171755-0004		
DRAFT WHERE APPLICABLE MUST REMAIN WITHIN DIMENSIONS		INITIAL REVISION:		DOC TYPE	DOC PART	REVISION
THIRD ANGLE PROJECTION		DRWN: BIANOWIAK	2013/03/25	PSD	001	A3
DRAWING		APPR: JLAURX	2014/03/24	MATERIAL NUMBER	CUSTOMER	SHEET NUMBER
C-SIZE		SERIES 171755		SEE CHART	GENERAL MARKET	2 OF 4



BACKPLANE HOLE PATTERN
FOR Ø0.46 PTH
(CONNECTOR SIDE)



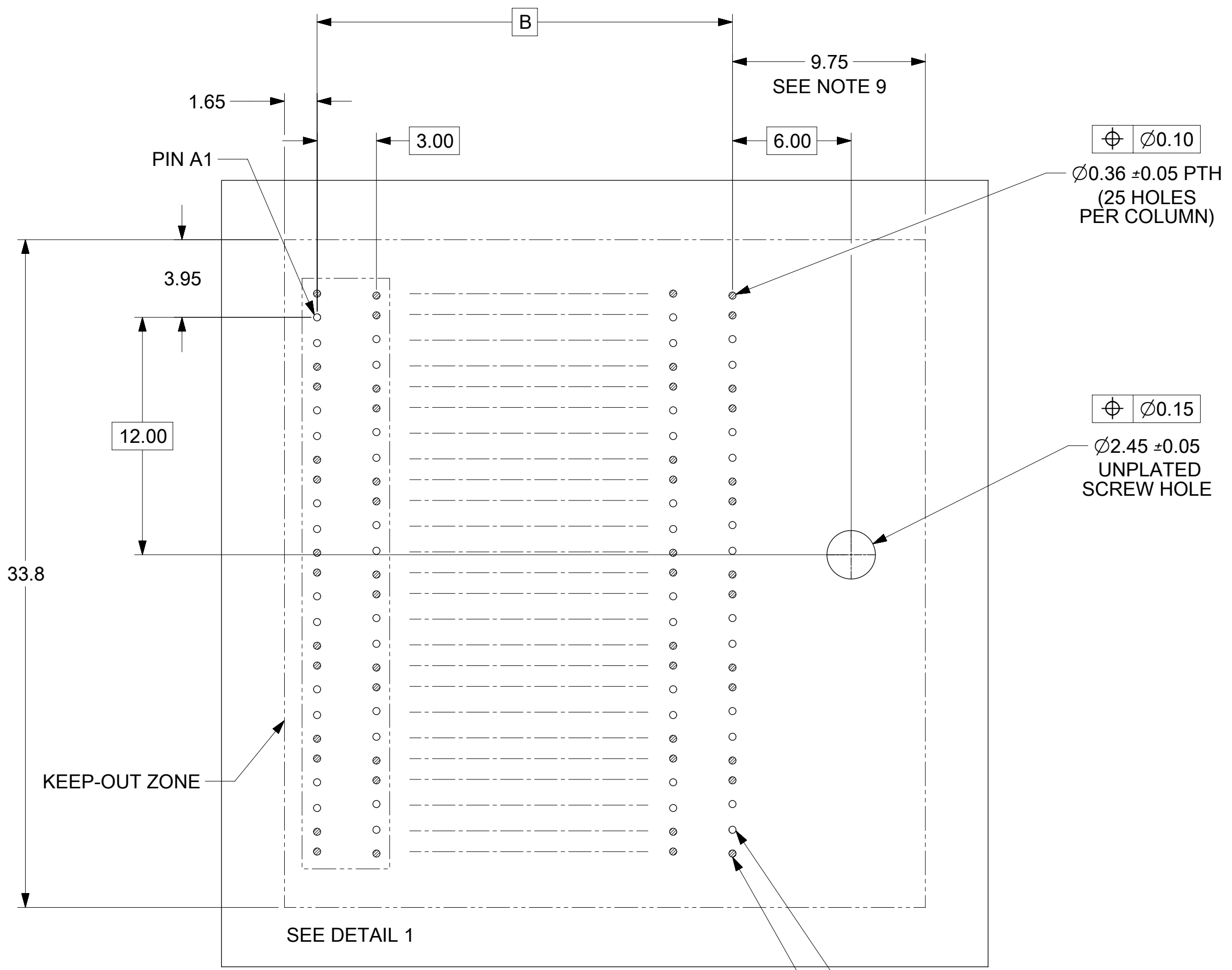
ODD COLUMN
DIMENSIONS

EVEN COLUMN
DIMENSIONS

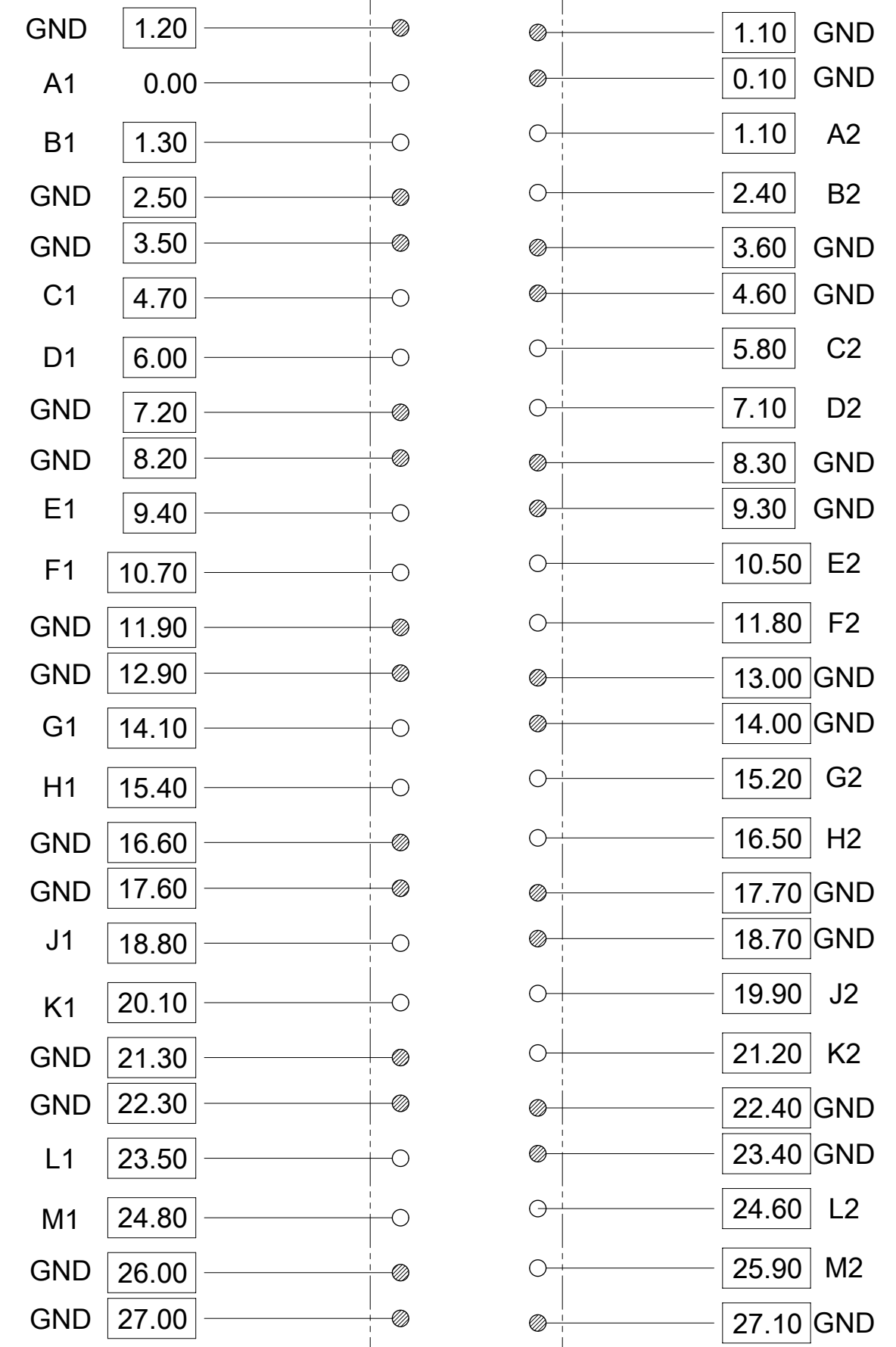
DETAIL 3
SCALE 8:1

THIS DRAWING CONTAINS INFORMATION THAT IS PROPRIETARY TO MOLEX ELECTRONIC TECHNOLOGIES, LLC AND SHOULD NOT BE USED WITHOUT WRITTEN PERMISSION									
DIMENSION UNITS		SCALE		CURRENT REV DESC: MIGRATED TO NX					
MM		5:1							
GENERAL TOLERANCES (UNLESS SPECIFIED)				EC NO: 177650		2018/06/19		IMPEL 6 PAIR BACKPLANE 3MM PITCH ASSEMBLY GUIDE RIGHTSALSALES DRAWING	
ANGULAR TOL ± 0.5°				DRWN: ABN		2018/06/19			
4 PLACES ±				CHK'D: ABN		2018/06/25		PRODUCT CUSTOMER DRAWING	
3 PLACES ±				APPR: DWLEE01					
2 PLACES ± 0.13				INITIAL REVISION:				DOCUMENT NUMBER SD-171755-0004	
1 PLACE ± 0.25				DRWN: BIANOWIAK		2013/03/25			
0 PLACES ±				APPR: JLAURX		2014/03/24		DOC TYPE DOC PART REVISION PSD 001 A3	
DRAFT WHERE APPLICABLE MUST REMAIN WITHIN DIMENSIONS		THIRD ANGLE PROJECTION		DRAWING		SERIES		SHEET NUMBER	
				C-SIZE		171755		3 OF 4	

DOCUMENT STATUS	P1	RELEASE DATE	2018/06/25	14:37:54
-----------------	----	--------------	------------	----------



BACKPLANE HOLE PATTERN
FOR Ø0.36 PTH
(CONNECTOR SIDE)



ODD COLUMN DIMENSIONS DETAIL 1 SCALE 8:1 EVEN COLUMN DIMENSIONS

THIS DRAWING CONTAINS INFORMATION THAT IS PROPRIETARY TO MOLEX ELECTRONIC TECHNOLOGIES, LLC AND SHOULD NOT BE USED WITHOUT WRITTEN PERMISSION									
DIMENSION UNITS		SCALE		CURRENT REV DESC: MIGRATED TO NX					
MM		5:1							
GENERAL TOLERANCES (UNLESS SPECIFIED)				EC NO: 177650		2018/06/19		IMPEL 6 PAIR BACKPLANE 3MM PITCH ASSEMBLY GUIDE RIGHTSALSALES DRAWING	
ANGULAR TOL ± 0.5°				DRWN: ABN		2018/06/19			
4 PLACES ±				CHK'D: ABN		2018/06/25		PRODUCT CUSTOMER DRAWING	
3 PLACES ±				APPR: DWLEE01					
2 PLACES ± 0.13				INITIAL REVISION:				DOCUMENT NUMBER DOC TYPE DOC PART REVISION	
1 PLACE ± 0.25				DRWN: BIANOWIAK		2013/03/25			
0 PLACES ±				APPR: JLAURX		2014/03/24		SD-171755-0004 PSD 001 A3	
DRAFT WHERE APPLICABLE MUST REMAIN WITHIN DIMENSIONS		THIRD ANGLE PROJECTION		DRAWING		SERIES		MATERIAL NUMBER CUSTOMER SHEET NUMBER	
				C-SIZE		171755		SEE CHART GENERAL MARKET 4 OF 4	

DOCUMENT STATUS	P1	RELEASE DATE	2018/06/25	14:37:54
-----------------	----	--------------	------------	----------