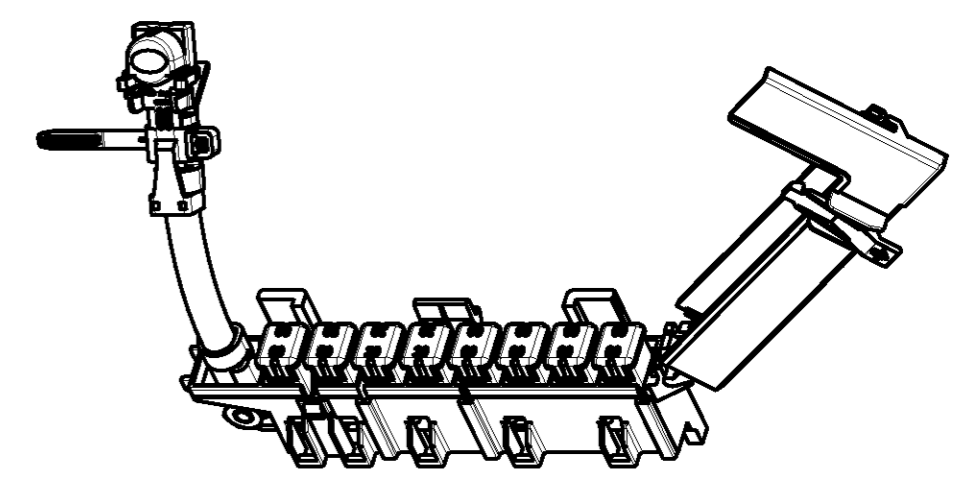
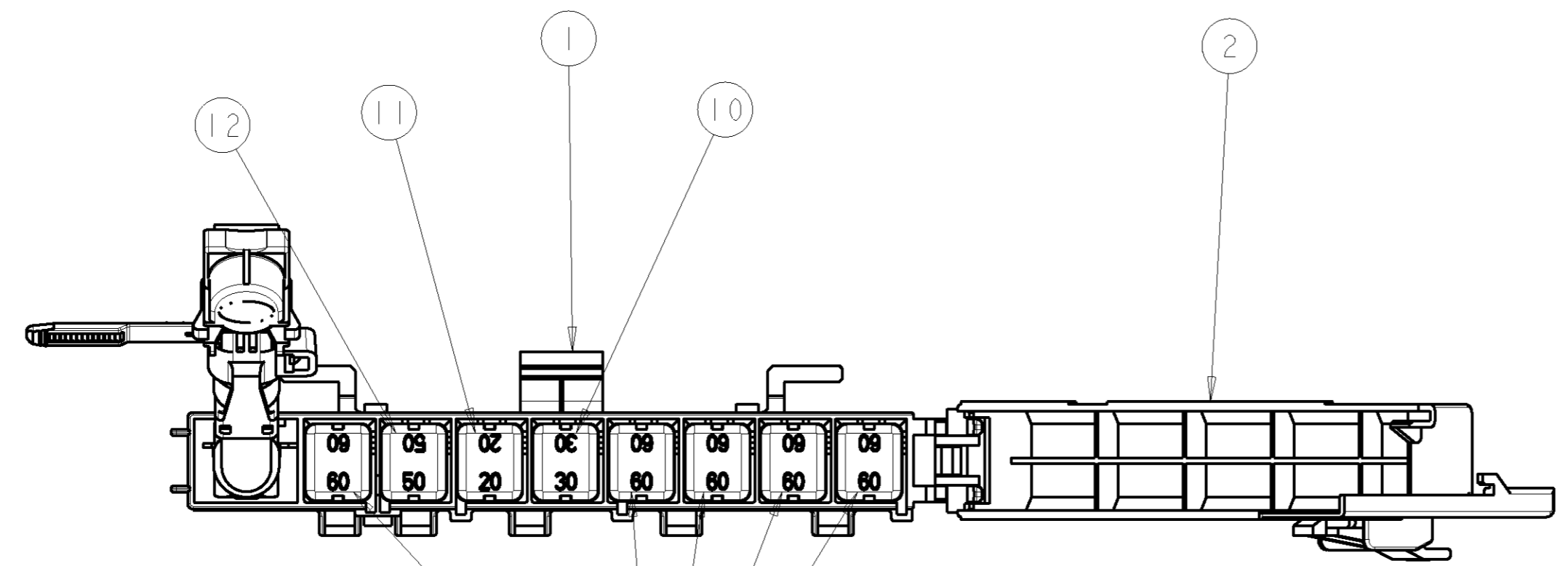
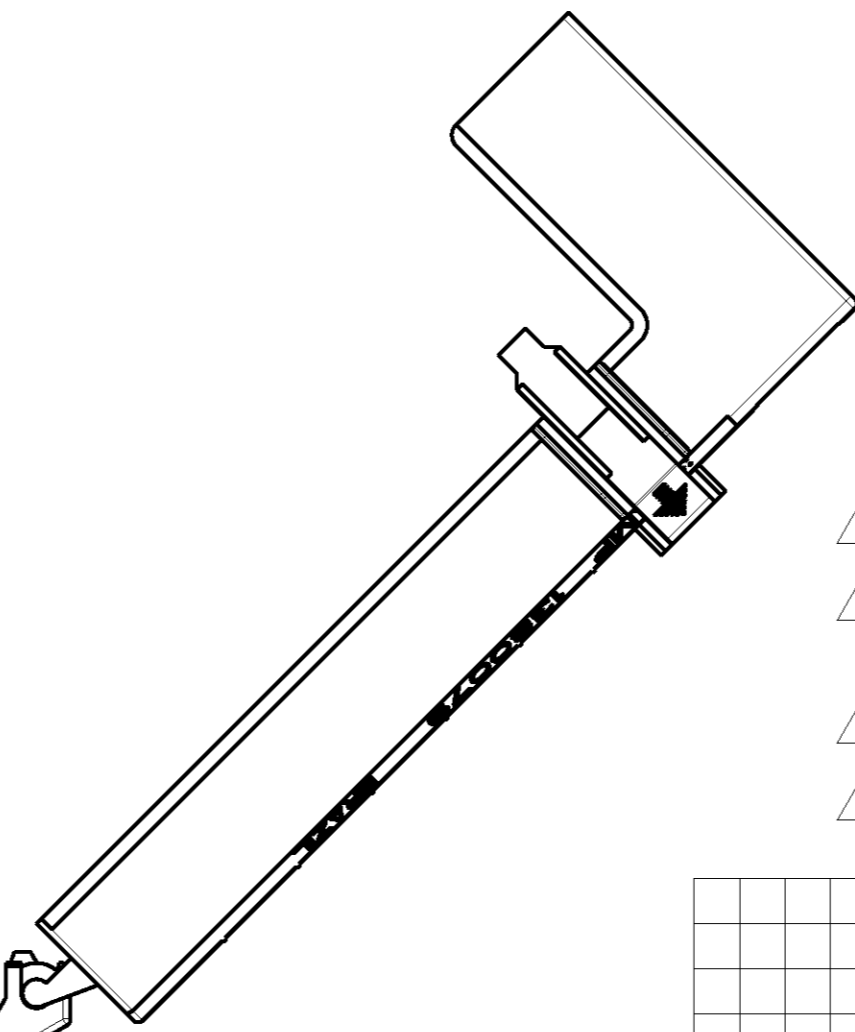
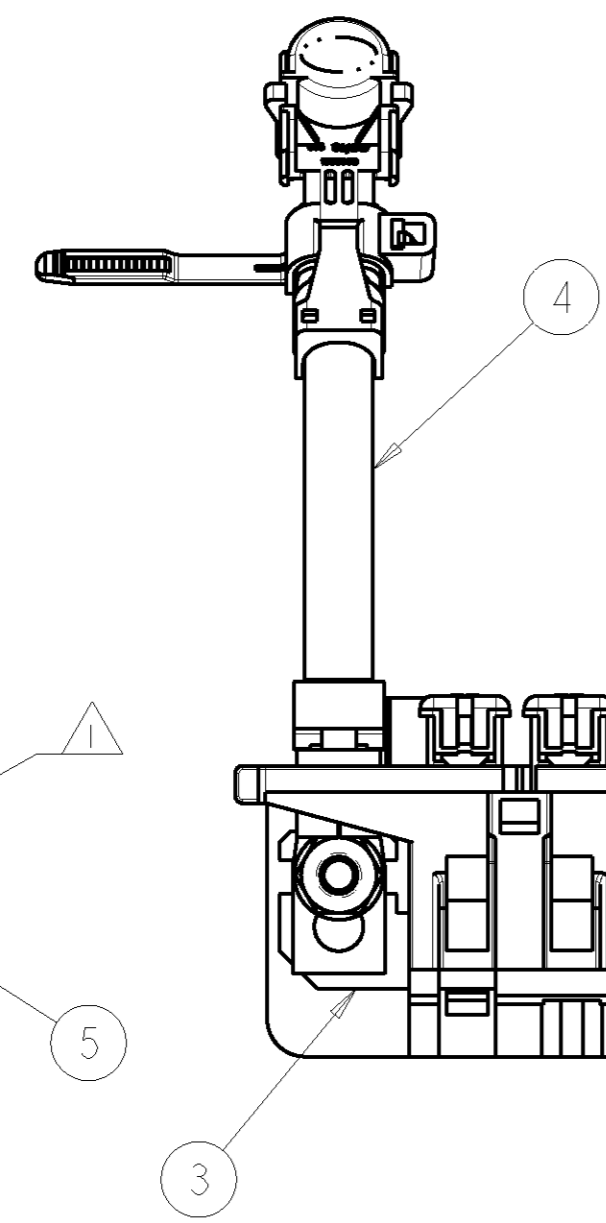
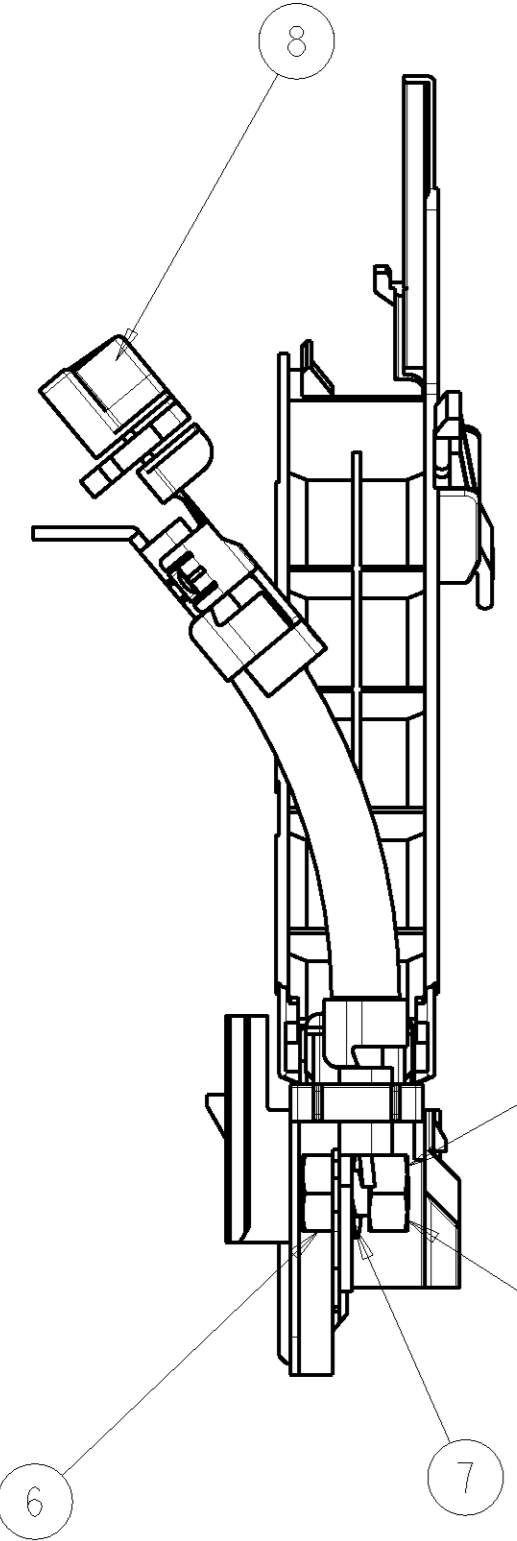
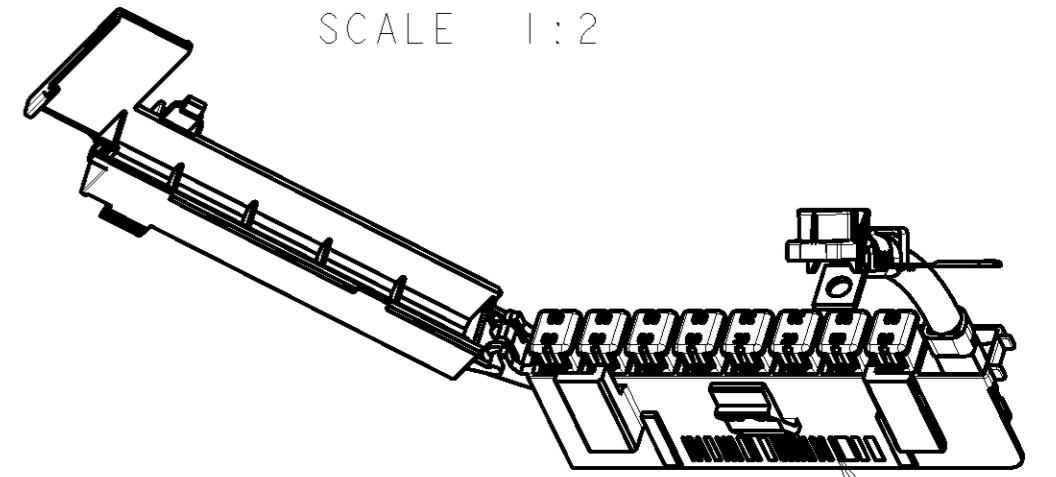


THIS DRAWING IS UNPUBLISHED. RELEASED FOR PUBLICATION 20
 © COPYRIGHT 20 BY TYCO ELECTRONICS CORPORATION. ALL RIGHTS RESERVED.

LOC	DIST	REVISIONS					
AP	-	P	LTR	DESCRIPTION	DATE	DWN	APVD
		0		RELEASED	01SET2006	RKTL	PLF
		A		REVISED BY ECO-07-026286	07NOV2007	RKTL	MG



PERSPECTIVE VIEW
SCALE 1:2



- ① - TORQUE NA PORCA DE RETENÇÃO : 5,0 - 7,0 Nm.
- ① - ASSY TORQUE ON RETENTION NUT: 5,0 - 7,0 Nm.
- ② - ETIQUETA DE IDENTIFICAÇÃO.
- ② - IDENTIFICATION LABEL.

GRAVAÇÕES MARKINGS	
LOGOTIPO TE TE LOGO	
CÓDIGO PAÍS PRODUTOR MANUFACTURER COUNTRY CODE	
NOMENCLATURA MATERIAL MATERIAL NOMENCLATURE	
NÚMERO COMPONENTE TE TE COMPONENT NUMBER	
NÚMERO CAVIDADE CAVITY NUMBER	
IDENTIFICAÇÃO CIRCUITO CIRCUIT IDENTIFICATION	
LOGOTIPO CLIENTE CUSTOMER LOGO	
PAÍS PRODUTOR MANUFACTURER COUNTRY	
REV+ LETRA REV.DA PEÇA REV.+ PART REV.LETTER	

ITEM	DESCRIPTION	MATERIAL	FINISH
1 12	JCASE MAXI FUSE 50A	—	VERMELHO / RED
1 11	JCASE MAXI FUSE 20A	—	AZUL / BLUE
1 10	JCASE MAXI FUSE 30A	—	ROSA / PINK
5 9	JCASE MAXI FUSE 60A	—	YELLOW / AMARELO
1 8	COVER EYELET	PA 6.6	VERMELHO / RED
1 7	WASHER SPRING LOCK M6	SPRING STEEL	ZINC PLATE TRIVALENT CHROMIUM
1 6	NUT M6	CARBON STEEL	ZINC PLATE TRIVALENT CHROMIUM
1 5	SCREW M6 x 10	CARBON STEEL	ZINC PLATE TRIVALENT CHROMIUM
1 4	LEAD ASSY #20mm2	—	—
1 3	BUSBAR 8POSN.	COOPER ALLOY	—
1 2	COVER 8POSN.	PP	PRETO / BLACK
1 1	FRAME 8POSN.	PBT	PRETO / BLACK

REQ. PER ASSY	ITEM	DESCRIPTION	MATERIAL	FINISH
1	1599680			

<small>THIS DRAWING IS A CONTROLLED DOCUMENT FOR TYCO ELECTRONICS CORPORATION IT IS SUBJECT TO CHANGE AND THE CONTROLLING ENGINEERING ORGANIZATION SHOULD BE CONTACTED FOR THE LATEST REVISION.</small>		DWN M.L. OGAWA 10 JUN 2005 CHK P.L. FARIA 10 JUN 2005 APVD D.A. OLIVEIRA 10 JUN 2005	Tyco Electronics Brasil LTDA Sao Paulo Brasil
DIMENSIONS: mm 		PRODUCT SPEC - APPLICATION SPEC - WEIGHT -	NAME JCASE ASSY MAXI FUSE BOX SIZE A200779 CAGE CODE C-1599680 DRAWING NO C-1599680
TOLERANCES UNLESS OTHERWISE SPECIFIED: 0 PLC ± 1 PLC ±0.3 2 PLC ± 3 PLC ± 4 PLC ± ANGLES ± FINISH		RESTRICTED TO - SCALE 1:1 SHEET OF 1 REV A	