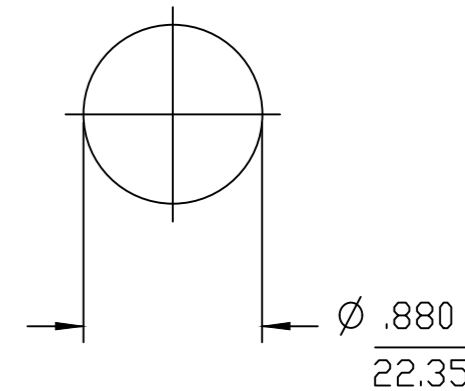


| MATERIAL NO. | ENGINEERING NO. | FINISHED LENGTH |
|--------------|-----------------|-----------------|
| 1300660237   | CR4000A30M750   | 75 METERS       |
| 1300660165   | CR4000A30M070   | 7 METERS        |
| 1300660164   | CR4000A30M060   | 6 METERS        |
| 1300660163   | CR4000A30M050   | 5 METERS        |
| 1300660162   | CR4000A30M030   | 3 METERS        |
| 1300660160   | CR4000A30M020   | 2 METERS        |
| 1300660159   | CR4000A30M017   | 1.7 METERS      |
| 1300660158   | CR4000A30M016   | 1.6 METERS      |
| 1300660157   | CR4000A30M013   | 1.3 METERS      |
| 1300660156   | CR4000A30M011   | 1.1 METERS      |
| 1300660154   | CR4000A30M010   | 1 METERS        |
| 1300660153   | CR4000A30M009   | 0.9 METERS      |
| 1300660152   | CR4000A30M005   | 0.5 METERS      |
| 1300660150   | CR4000A30M003   | 0.3 METERS      |
| 1300660149   | CR4000A30A120   | 12 INCHES       |
| 1300662008   | CR4000A30M040   | 4 METERS        |

**CABLE LENGTH TOLERANCES**

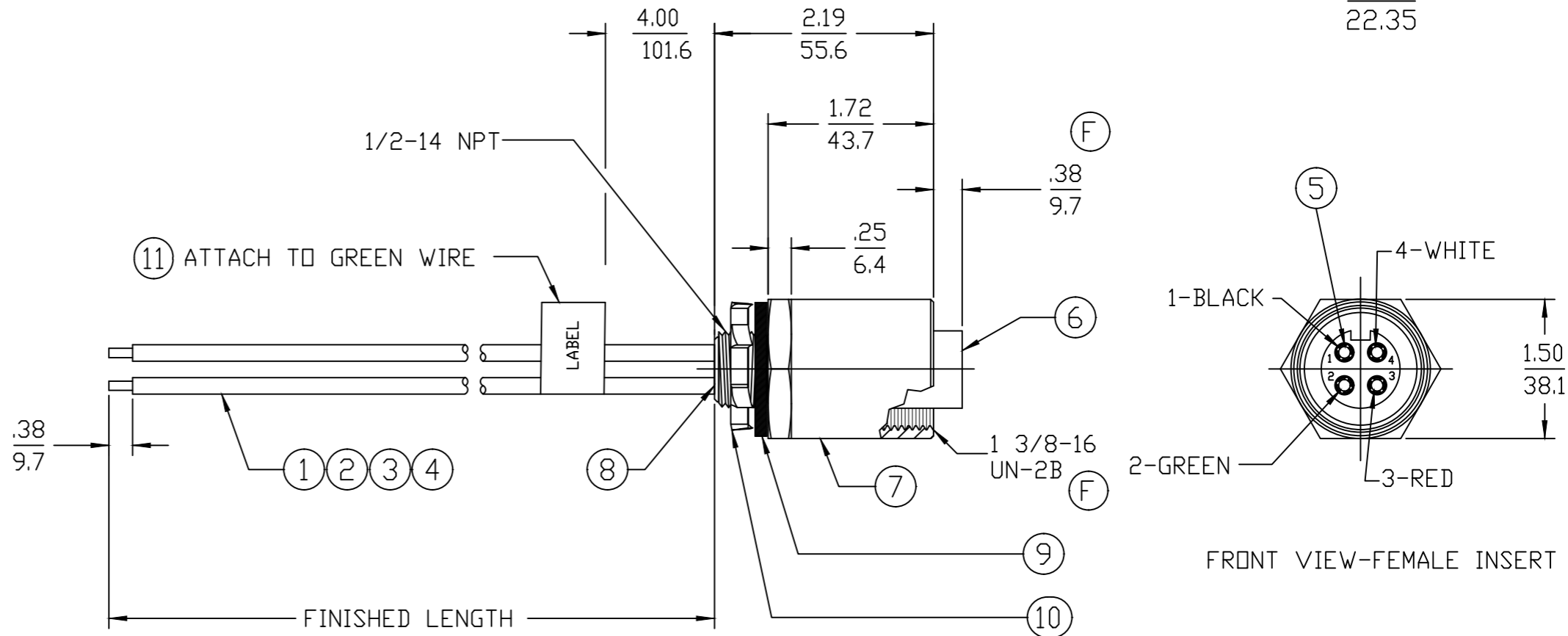
(F) <3M [1FT]: +19mm-0 [+1.75in-0]  
 .3 - <.9M [1 - <3FT]: +44.5mm-0 [+1.75in-0]  
 .9 - <1.8M [3 - <6FT]: +55.6mm-0 [+2.19in-0]  
 1.8 - <3.7M [6 - <12FT]: +88.9mm-0 [+3.50in-0]  
 3.7 - <7.3M [12 - <24FT]: +165.1mm-0 [+6.50in-0]  
 7.3 - <14.6M [24 - <48FT]: +317.5mm-0 [+12.50in-0]  
 14.6 - <30.5M [48 - <100FT]: +622.3mm-0 [+24.50in-0]  
 OVER 30M [100FT] +2% OF FINISHED LENGTH

KNOCKOUT HOLE



**NOTES:**

- MATERIAL: AS NOTED
- FINISHES: AS NOTED
- ELECTRICAL SPECIFICATIONS  
 VOLTAGE RATING: 500V PER IEC60664  
 600V PER UL2237  
 CURRENT RATING: 32 AMPS
- PROTECTION: IP67 (WHEN MATED)
- TEMP RANGE: -20°C TO +90°C
- AGENCY LISTING: E258922, PVVA
- ALL DIMS ARE FOR REFERENCE UNLESS NOTED OTHERWISE



| ITEM | DESCRIPTION           | MATERIAL       | FINISH      |
|------|-----------------------|----------------|-------------|
| 11   | FLAG LABEL            | VINYL          | YELLOW      |
| 10   | LOCK NUT              | STEEL          | ZINC PLATED |
| 9    | GASKET                | NEOPRENE       | BLACK       |
| 8    | POTTING               | EPOXY          | BLACK       |
| 7    | RECEPTACLE SHELL      | ALUMINUM ALLOY | ANODIZED    |
| 6    | FEMALE INSERT         | TPE            | BLACK       |
| 5    | SOCKET CONTACT        | COPPER         | GOLD PLATED |
| 4    | #10-1 AWG UL1015 WIRE | PVC JACKET     | RED         |
| 3    | #10-1 AWG UL1015 WIRE | PVC JACKET     | GREEN       |
| 2    | #10-1 AWG UL1015 WIRE | PVC JACKET     | WHITE       |
| 1    | #10-1 AWG UL1015 WIRE | PVC JACKET     | BLACK       |

**PART NO. LEGEND**  
 CR4000A30M005

WIRE TYPE:  
 10 AWG PVC

FINISHED LENGTH  
 M005= 0.5 METER  
 M010= 1 METER  
 M100= 10 METERS  
 A120= 12 INCHES

|  |                                       |   |   |
|--|---------------------------------------|---|---|
| FUNCTIONAL SYMBOLS                                   |                                       | THIS DRAWING CONTAINS INFORMATION THAT IS PROPRIETARY TO MOLEX ELECTRONIC TECHNOLOGIES, LLC AND SHOULD NOT BE USED WITHOUT WRITTEN PERMISSION |   |
| ▽=0  | DIMENSION UNITS                       | SCALE   | CURRENT REV DESC: UPDATED BORDER, CORRECTED INSERT HEIGHT, CORRECTED CABLE LENGTH CHART, ADDED INT. THREAD CUTOUT |
| ▽=0  | INCH/MM                               | 1:1   |   |
| ▽=0  | GENERAL TOLERANCES (UNLESS SPECIFIED) |   |   |
|  |                                       | mm  | INCH  |
|  | 4 PLACES                              | ±---  | ±---  |
|  | 3 PLACES                              | ±---  | ±---  |
|  | 2 PLACES                              | ±---  | ±---  |
|  | 1 PLACE                               | ±---  | ±---  |
|  | 0 PLACES                              | ±---  | ±---  |
|  | ANGULAR TOL ± ---°                    |   |   |
| DRAFT WHERE APPLICABLE MUST REMAIN WITHIN DIMENSIONS |                                       | THIRD ANGLE PROJECTION  | DRAWING   |
|  |                                       |   | B-SIZE  |
|  |                                       | SERIES  | 130066  |
| EC NO: 736452  |                                       | DRWN: SAMB12  | 2023/01/24  |
| CHK'D: RSTONE  |                                       | 2023/02/02  |   |
| APPR: BWOODMAN                                       |                                       | 2023/02/06  |   |
| INITIAL REVISION:                                    |                                       | DRWN: MODELL  | 2009/02/23  |
|  |                                       | APPR: RDEROSS   | 2009/02/25  |
| DOCUMENT NUMBER                                      |                                       | MATERIAL NUMBER   | CUSTOMER  |
| SD-130066-025  |                                       | PSD   | 001   |
| DOC TYPE/DOC PART                                    |                                       | REVISION  |   |
|  |                                       |   | F   |
| SHEET NUMBER   |                                       | 1 OF 1  |   |