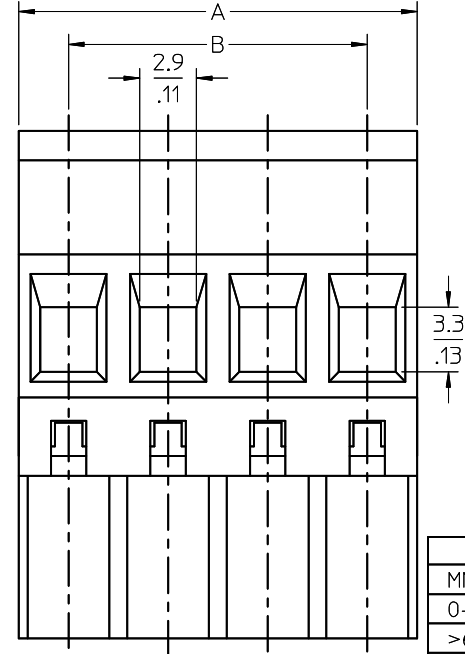
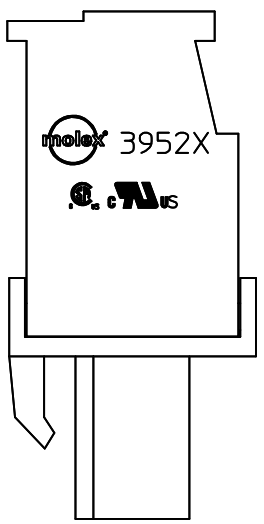
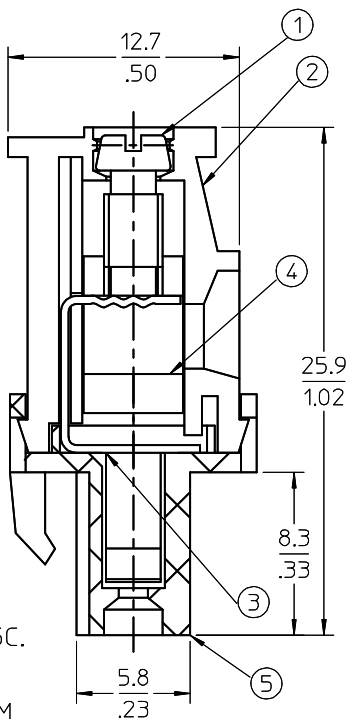
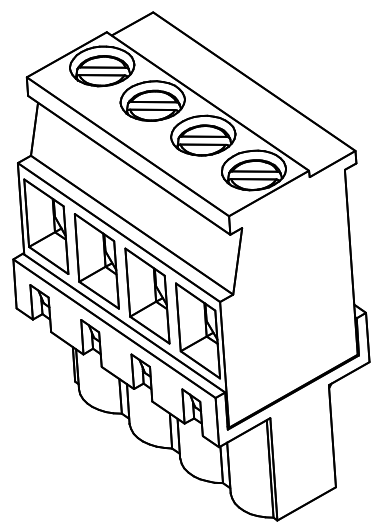
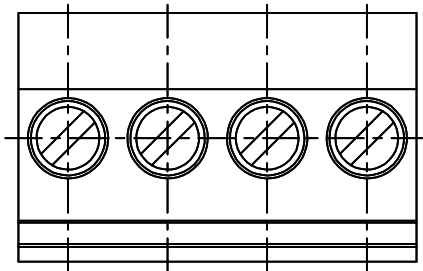


CIRCUITS	P/N	COLOR	IMPRINTING
2	395239000	GREEN	SEE SHEET 2
2	395239001	GREEN	SEE SHEET 2
4	395239002	GREEN	SEE SHEET 2
5	395239003	GREEN	SEE SHEET 2
6	395239004	GREEN	SEE SHEET 2
7	395239005	GREEN	SEE SHEET 2

CUSTOMER PRODUCTION APPROVAL
 APPROVED BY: _____
 DATE: _____
 MUST BE SIGNED AND RETURNED BEFORE
 PRODUCTION WILL BEGIN.



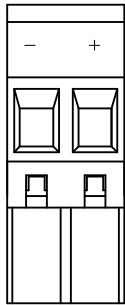
SPECIFICATIONS:

- Material:
 - Screw: Steel
 - Cover: PA66
 - Terminal: Phosphor Bronze
 - Cage: Brass
 - Body: PA66
- Wire range: 12 - 26 AWG
- Electrical rating: 300V, 15A.
- Wire strip length: 5.0mm.
- Operating temperature: -40C to +105C.
- Max torque: 5 In Lbs.
- Insulation resistance: DC 500V, 500M.
- Dielectric withstand: AC 2500V for 1 minute.
- Breakdown voltage: 4000V.
- Contact resistance: <10 mW.
- A = (N x P)
- B = (N - 1) x P
- P (PITCH) = 5.0mm (.197").
- N = Number of positions available 2 through 24.

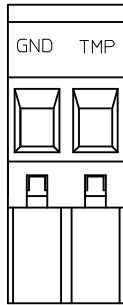
TOLERANCES			
MM	TOL	INCH	TOL
0-6	±0.25	0-.24	±.010
>6-30	±0.40	.24-1.18	±.016
>30-120	±0.50	1.18-4.76	±.020
>120	±0.80	>4.76	±.031

IRPM-T201741599 EC NO: IPG2018-0096 DRWN: ABENJAMINLW 2017/08/23 CHKD: APPR: BRUPERT 2017/08/30	QUALITY SYMBOLS	GENERAL TOLERANCES (UNLESS SPECIFIED)	DIMENSION STYLE	SCALE	DESIGN UNITS	THIRD ANGLE PROJECTION										
	$\nabla=0$ $\nabla=0$	<table border="1"> <tr> <th>mm</th> <th>INCH</th> </tr> <tr> <td>4 PLACES ±---</td> <td>±---</td> </tr> <tr> <td>3 PLACES ±---</td> <td>±---</td> </tr> <tr> <td>2 PLACES ±---</td> <td>±---</td> </tr> <tr> <td>1 PLACE ±---</td> <td>±---</td> </tr> </table>	mm	INCH	4 PLACES ±---	±---	3 PLACES ±---	±---	2 PLACES ±---	±---	1 PLACE ±---	±---	MM/IN	4:1	INCH	<input checked="" type="checkbox"/> THIRD ANGLE <input type="checkbox"/> FIRST ANGLE
	mm	INCH														
	4 PLACES ±---	±---														
3 PLACES ±---	±---															
2 PLACES ±---	±---															
1 PLACE ±---	±---															
DRAFT WHERE APPLICABLE MUST REMAIN WITHIN DIMENSIONS	DRAWN BY: ABENJAMINLW DATE: 2017/08/23 CHECKED BY: _____ DATE: _____ APPROVED BY: BRUPERT DATE: 2017/08/30 MATERIAL NO.	TITLE: 5.0MM, EURO PLUG, VERT, REAR WIRE ENTRY W/ SPCL IMPRINTING	MOLEX INCORPORATED DOCUMENT NO.	SHEET NO. 1 OF 2												
SIZE B	THIS DRAWING CONTAINS INFORMATION THAT IS PROPRIETARY TO MOLEX INCORPORATED AND SHOULD NOT BE USED WITHOUT WRITTEN PERMISSION															

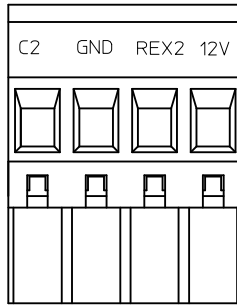
IMPRINTING CHART



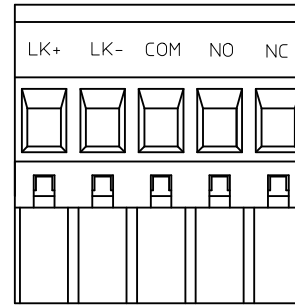
395239000



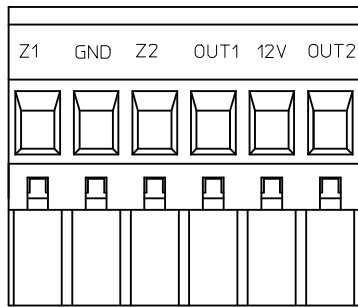
395239001



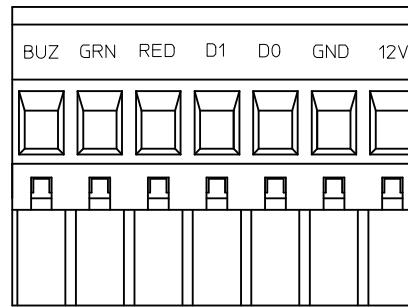
395239002



395239003

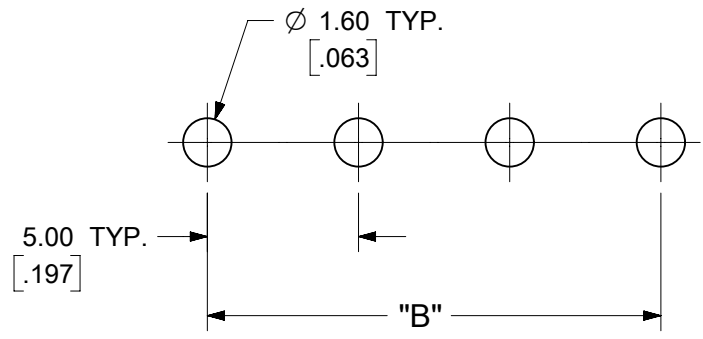


395239004

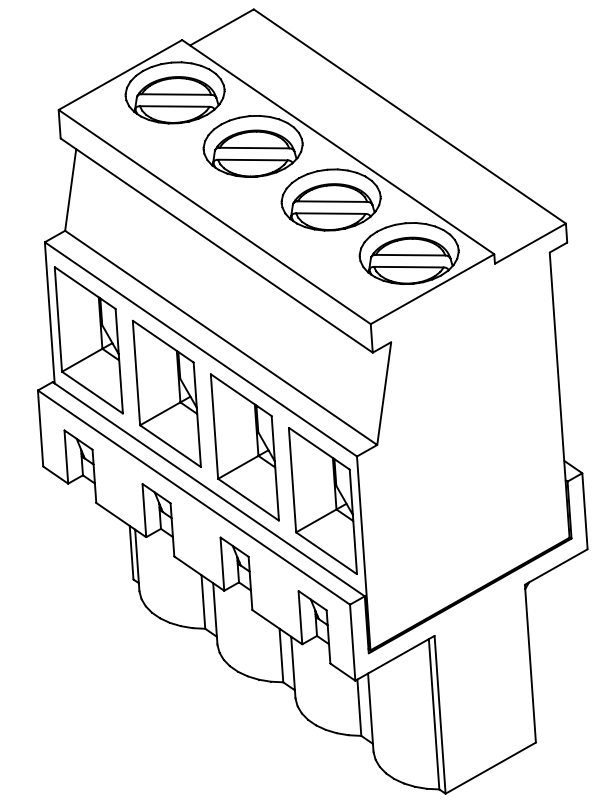
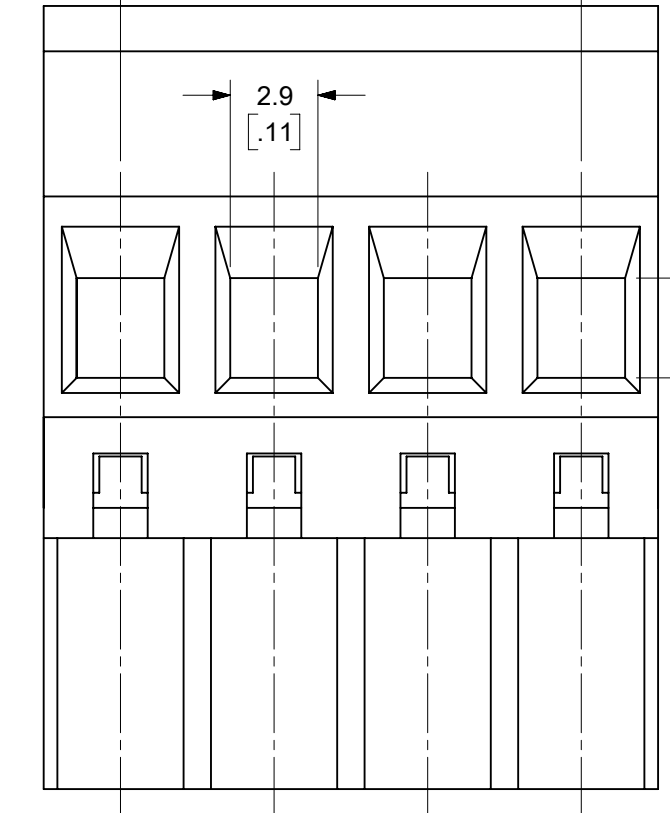
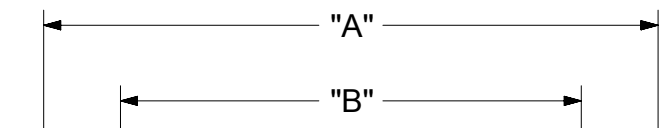
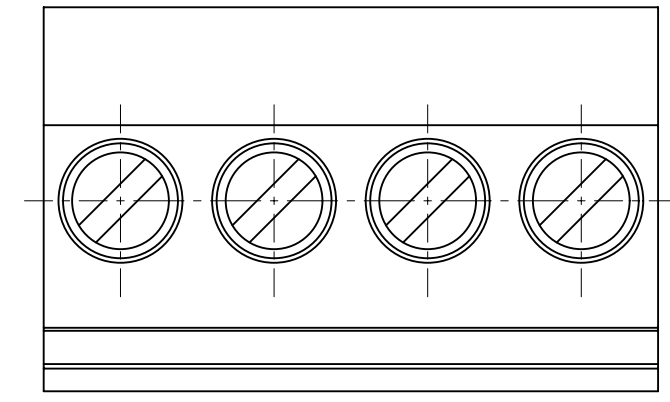
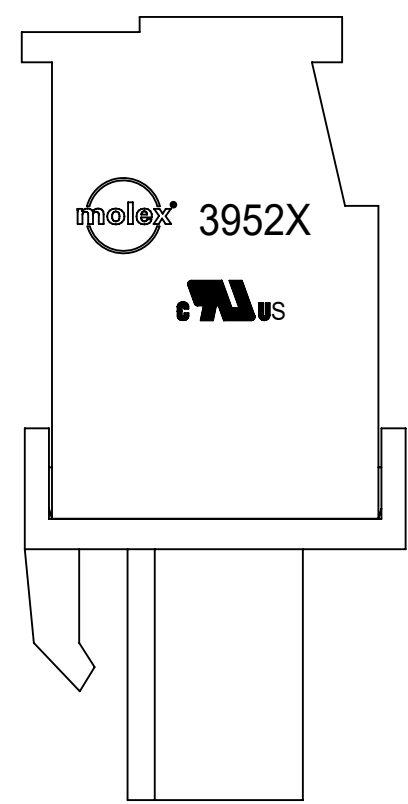
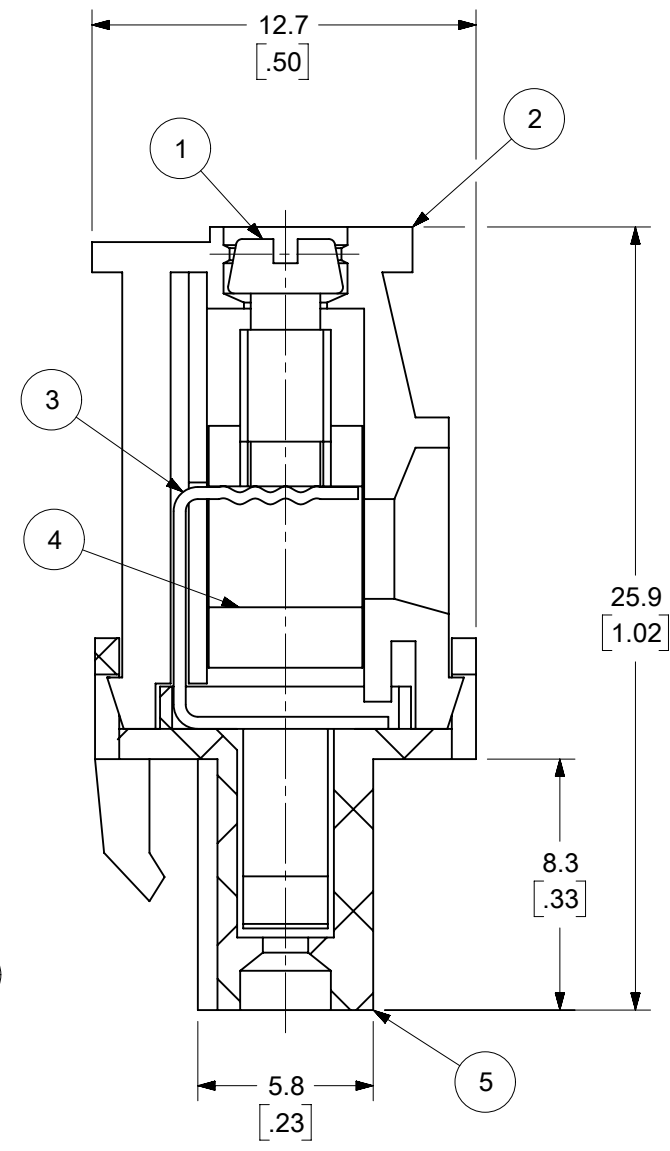


395239005

RPM-T201741599 EC NO: IPG2018-0096 DRWN: ABENJAMINLW 2017/08/23 CHKD: APPR: BRUPERT 2017/08/30	DESCRIPTION REV	QUALITY SYMBOLS	GENERAL TOLERANCES (UNLESS SPECIFIED)		DIMENSION STYLE MM/IN	SCALE 2:1	DESIGN UNITS INCH	THIRD ANGLE PROJECTION			
		$F_A = 0$ $F_G = 0$ $F_P = 0$	mm INCH 4 PLACES ± --- ± --- 3 PLACES ± --- ± --- 2 PLACES ± --- ± --- 1 PLACE ± --- ± --- 0 PLACE ± ±	DRAWN BY ABENJAMINLW	DATE 2017/08/23	TITLE 5.0MM, EURO PLUG, VERT, REAR WIRE ENTRY W/ SPCL IMPRINTING					
			ANGULAR ± --- ° DRAFT WHERE APPLICABLE MUST REMAIN WITHIN DIMENSIONS	APPROVED BY BRUPERT	DATE 2017/08/30	molex RSD-39523-001 SHEET NO. 2 OF 2					
		A		MATERIAL NO. SEE CHART	DOCUMENT NO.						



PCB LAYOUT (A4)



- SPECIFICATIONS:**
- MATERIAL:**
 - (1). M3 CLAMP SCREW: ZINC PLATED STEEL
 - (2). COVER: PA66, UL94-V0
 - (3). TERMINAL: TIN PLATED COPPER ALLOY (A4)
 - (4). CAGE: NICKEL PLATED BRASS
 - (5). BODY: PA66, UL94-V0
 - WIRE RANGE:** 12 - 30 AWG (A4)
 - ELECTRICAL RATING:** 300V, 18A PER UL (A4)
 - WIRE STRIP LENGTH:** 5.0mm.
 - OPERATING TEMPERATURE:** -40°C to +105°C.
 - MAX TORQUE:** 5 IN LBS.
 - INSULATION RESISTANCE:** DC 500V, 500MΩ.
 - DIELECTRIC WITHSTAND:** AC 2500V FOR 1 MINUTE.
 - BREAKDOWN VOLTAGE:** 4000V.
 - CONTACT RESISTANCE:** <10 mΩ.

TOLERANCES			
MM	TOL	INCH	TOL
0-6	±0.25	0-.24	±.010
>6-30	±0.40	>.24-1.18	±.016
>30-120	±0.50	>1.18-4.76	±.020
>120	±0.80	>4.76	±.031

FUNCTIONAL SYMBOLS $\frac{E}{A} = 0$ $\frac{E}{E} = 0$ $\frac{E}{D} = 0$		DIVISIONAL SYMBOLS 4 PLACES ± --- ± --- 3 PLACES ± --- ± SEE CHART 2 PLACES ± SEE CHART ± SEE CHART 1 PLACE ± SEE CHART ± --- 0 PLACES ± --- ± --- ANGULAR TOL ± ---		THIS DRAWING CONTAINS INFORMATION THAT IS PROPRIETARY TO MOLEX ELECTRONIC TECHNOLOGIES, LLC AND SHOULD NOT BE USED WITHOUT WRITTEN PERMISSION DIMENSION UNITS: MM/INCH SCALE: 4:1 GENERAL TOLERANCES (UNLESS SPECIFIED) CURRENT REV DESC: DESCRIPTION "FRONT WIRE ENTRY" CHANGED TO "REAR WIRE ENTRY". ADDED PCB LAYOUT. MODIFIED NOTES. REMOVED CSA LOGO EC NO: 719296 DRWN: ABENJAMINLW 2022/04/14 CHK'D: DACHAMMER 2022/08/25 APPR: JFMURPHY 2022/09/23 INITIAL REVISION: DRWN: LROTHAUS 2006/01/09 APPR: JPAWLICK 2006/01/10		molex 5.0MM, EURO PLUG, VERTICAL, REAR WIRE ENTRY PRODUCT CUSTOMER DRAWING DOCUMENT NUMBER: SD-39523-002 DOC TYPE: PSD DOC PART: 001 REVISION: A4 MATERIAL NUMBER: SEE SHEET-2 CUSTOMER: GENERAL MARKET SHEET NUMBER: 1 OF 2	
DRAFT WHERE APPLICABLE MUST REMAIN WITHIN DIMENSIONS		THIRD ANGLE PROJECTION		DRAWING: B-SIZE SERIES: 39523			

