

4

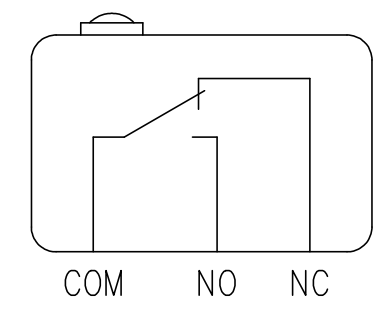
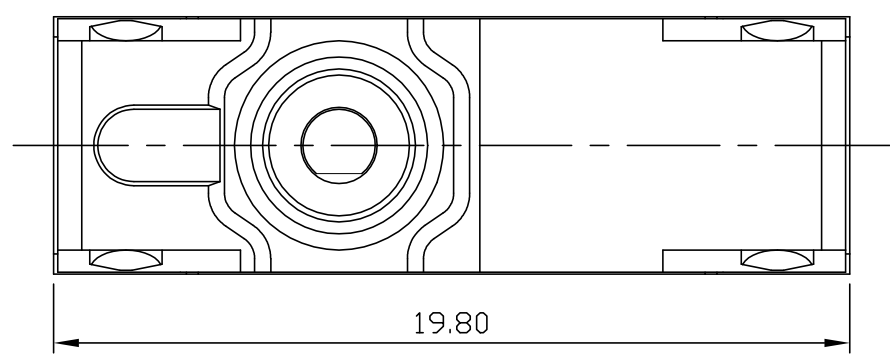
3

2

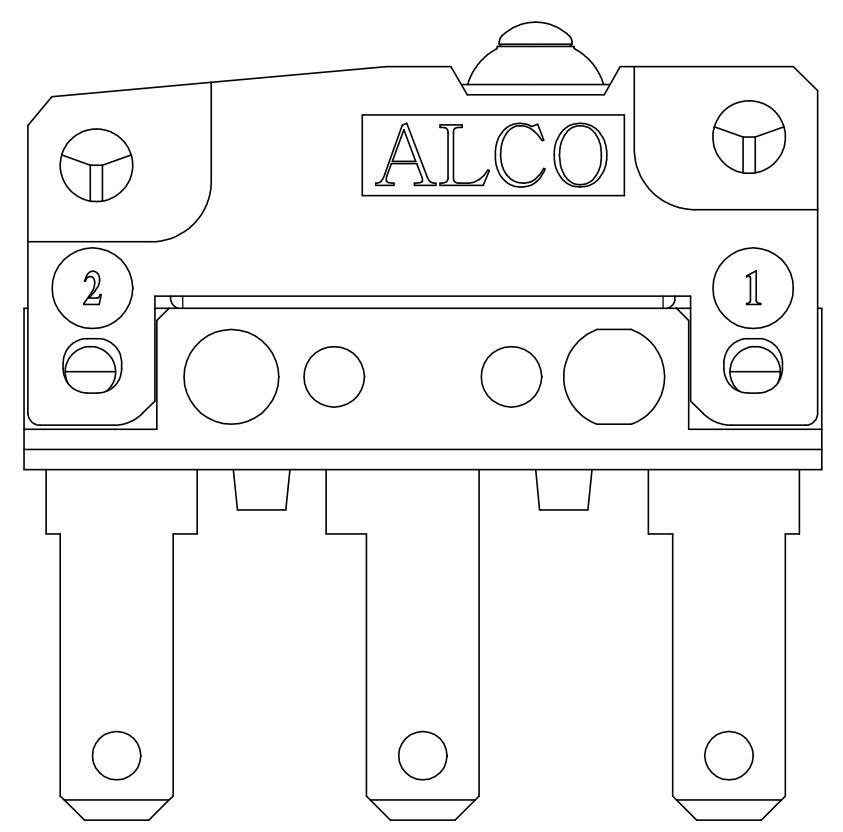
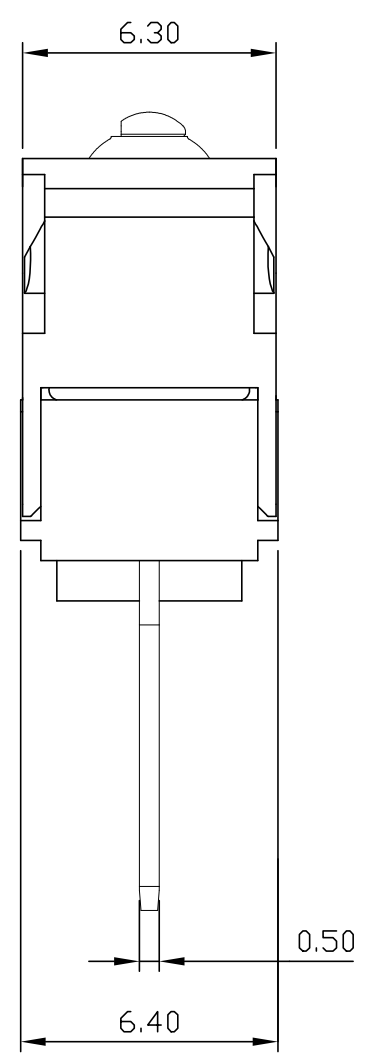
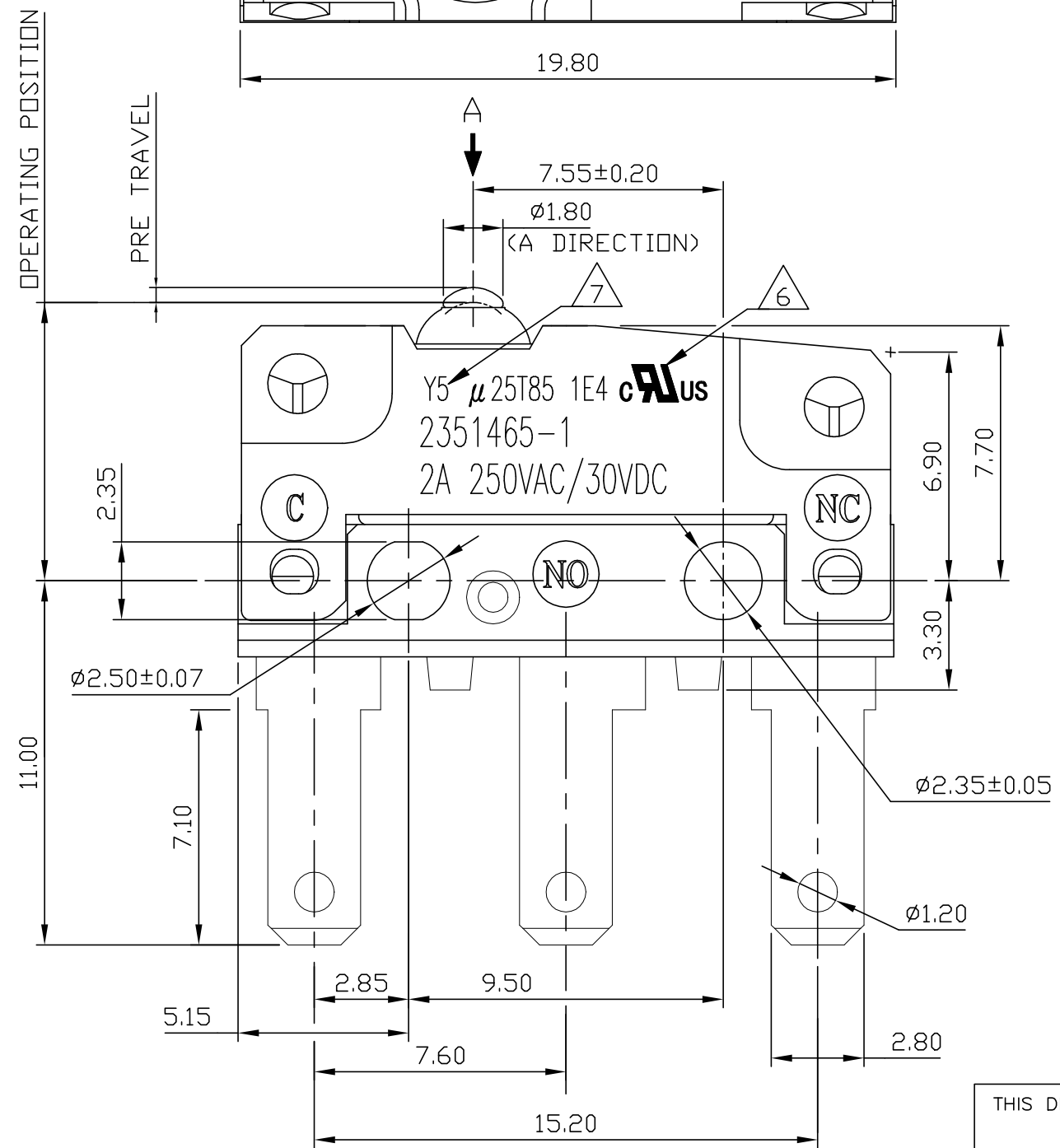
1

THIS DRAWING IS UNPUBLISHED. RELEASED FOR PUBLICATION
 © COPYRIGHT - TE Connectivity Ltd. ALL RIGHTS RESERVED.

| REVISIONS | | | | |
|-----------|-----|-------------|-----------|--------|
| P | LTR | DESCRIPTION | DATE | APVD |
| 1 | | NEW DRAWING | 14MAY2019 | GCM AS |



Contact Form



D
C
B
A

D
C
B
A

PRELIMINARY

| | | | | | |
|---|--|------------------|--|-----------|------------|
| THIS DRAWING IS A CONTROLLED DOCUMENT. | | DWN | GANESH C M | | 13MAY2019 |
| DIMENSIONS: mm | | CHK | ALEXANDER SHARPE | | 13MAY2019 |
| TOLERANCES UNLESS OTHERWISE SPECIFIED: | | APVD | ALEXANDER SHARPE | | 13MAY2019 |
| <ul style="list-style-type: none"> 0 PLC ± - 1 PLC ± 0.4 2 PLC ± 0.4 3 PLC ± - 4 PLC ± - ANGLES ± - | | PRODUCT SPEC | NAME | | |
| MATERIAL | | APPLICATION SPEC | SWITCH, SUBMINIATURE SLD SNAP ACTION, PIN PLUNGER, QUICK-CONNECT TERMINALS | | |
| FINISH | | WEIGHT | SIZE | CAGE CODE | DRAWING NO |
| | | CUSTOMER DRAWING | A3 | 00779 | C=2351465 |
| | | SCALE | NTS | SHEET | 1 of 2 |
| | | REV | 1 | | |

THIS DRAWING IS UNPUBLISHED. RELEASED FOR PUBLICATION - - -
 © COPYRIGHT - TE Connectivity Ltd. ALL RIGHTS RESERVED.

| REVISIONS | | | | |
|-----------|-----|-------------|------|------|
| P | LTR | DESCRIPTION | DATE | APVD |
| | - | SEE SHEET 1 | - | - |

NOTES:

- OPERATING CHARACTERISTICS ARE FOR OPERATION IN THE A DIRECTION ↓
- PACKAGING:
SWITCHES ARE BULK PACKAGED IN BAGS, 100 SWITCHES PER BAG, 10 BAGS PER BOX.
- COMPLIANCE:
THE CURRENT STATEMENT OF COMPLIANCE IS AVAILABLE AT TE.COM.
- MATERIAL AND FINISH:
COVER: THERMOPLASTIC, BLACK
BASE: THERMOPLASTIC, BLACK
BUTTON: THERMOPLASTIC, BLACK
CONTACTS: SILVER ALLOY, SILVER PLATED
TERMINAL: BRASS, SILVER PLATED
SPRING PLATE: COPPER ALLOY
SEALING CAP: RUBBER, BLACK
SEALING GASKETS: RUBBER, BLACK
- SPECIFICATIONS:
CURRENT RATING: SEE TABLE
CONTACT RESISTANCE: 50mΩ MAXIMUM, INITIAL AT FREE POSITION AND TOTAL TRAVEL POSITION
INSULATION RESISTANCE: 100MΩ MINIMUM, @ 500 V DC, 1 MINUTE, INITIAL.
DIELECTRIC WITHSTANDING VOLTAGE, BETWEEN TERMINALS OF THE SAME POLARITY: 1000 V AC, 50 TO 60 Hz FOR 1 MINUTE
DIELECTRIC WITHSTANDING VOLTAGE, BETWEEN EACH TERMINAL AND GROUND: 1500 V AC, 50 TO 60 Hz FOR 1 MINUTE
DIELECTRIC WITHSTANDING VOLTAGE, BETWEEN EACH TERMINAL AND NON-CURRENT CARRYING METAL PART: 1500 V AC, 50 TO 60 Hz FOR 1 MINUTE
INGRESS PROTECTION: IP67

△ CERTIFICATION: 

△ DATE CODE: ① ②

| | | |
|---|-------|---------------------------------|
| ① | MONTH | 1 TO 9,X,Y,Z (X=10, Y=11, Z=12) |
| ② | YEAR | 0 TO 9,(EX:7=2017) |

| | | | | | | | | | | | | | | | | |
|----------------|--------------|---------------------------|------------------------|--|--|-----------------------|-------------|-------------|--------------------|---------------|-----------------|-------------------------|-----------------------|---------------------|----------------------|-------------|
| SILVER | SPDT | 1,000,000 CYCLES, MINIMUM | 50,000 CYCLES, MINIMUM | -40 TO +85°C/85% RELATIVE HUMIDITY MAXIMUM | -25 TO +85°C/60% RELATIVE HUMIDITY MAXIMUM | 0.15 MAXIMUM | 0.4 MINIMUM | 0.6 MAXIMUM | 8.4±0.3 | 20 gf MINIMUM | 183 gf MAXIMUM | 2A, 30VDC 2A, 250VAC | MOMENTARY | QUICK-CONNECT, #110 | SAJSX2XPP0180SDTFBQ | 2351465-1 |
| CONTACT FINISH | CONTACT FORM | MECHANICAL LIFE | ELECTRICAL LIFE | STORAGE TEMPERATURE RANGE/HUMIDITY RANGE | OPERATING TEMPERATURE RANGE/HUMIDITY RANGE | MOVEMENT DIFFERENTIAL | OVERTRAVEL | PRETRAVEL | OPERATING POSITION | RELEASE FORCE | OPERATING FORCE | CONTACT RATING, | CONTACT CONFIGURATION | TERMINAL TYPE | TE SMART PART NUMBER | PART NUMBER |

THIS DRAWING IS A CONTROLLED DOCUMENT.

DWN GANESH C M 13MAY2019

CHK ALEXANDER SHARPE 13MAY2019

APVD ALEXANDER SHARPE 13MAY2019

PRODUCT SPEC

APPLICATION SPEC

WEIGHT

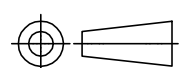
CUSTOMER DRAWING

 TE Connectivity Ltd.

NAME SWITCH, SUBMINIATURE SLD SNAP ACTION, PIN PLUNGER, QUICK-CONNECT TERMINALS

| | | | |
|------|-----------|------------|---------------|
| SIZE | CAGE CODE | DRAWING NO | RESTRICTED TO |
| A3 | 00779 | 2351465 | - |

DIMENSIONS: mm



TOLERANCES UNLESS OTHERWISE SPECIFIED:

| | |
|--------|-------|
| 0 PLC | ± - |
| 1 PLC | ± 0.4 |
| 2 PLC | ± 0.4 |
| 3 PLC | ± - |
| 4 PLC | ± - |
| ANGLES | ± - |
| FINISH | - |

MATERIAL -

FINISH -

PRELIMINARY