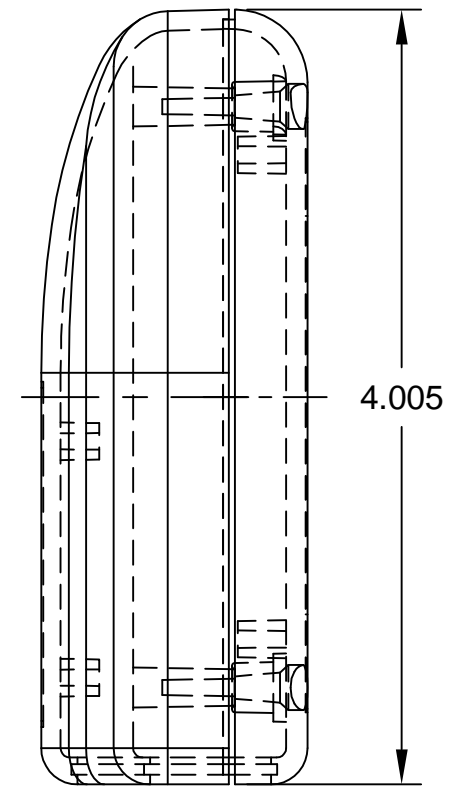
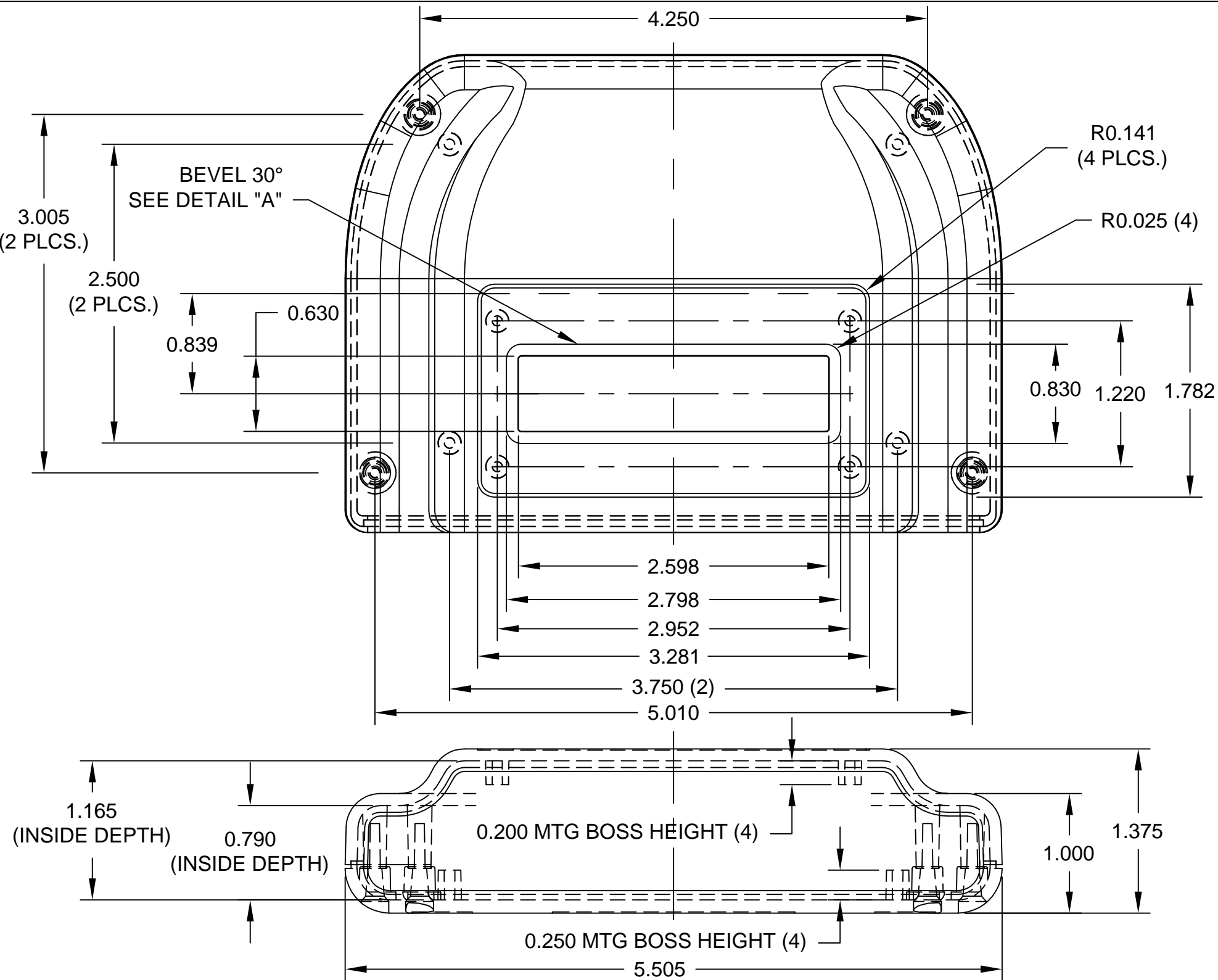
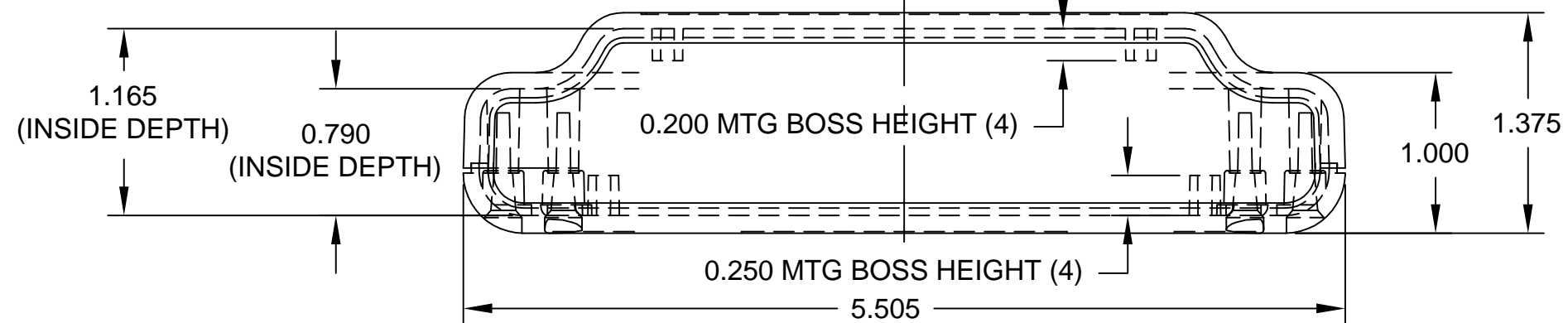
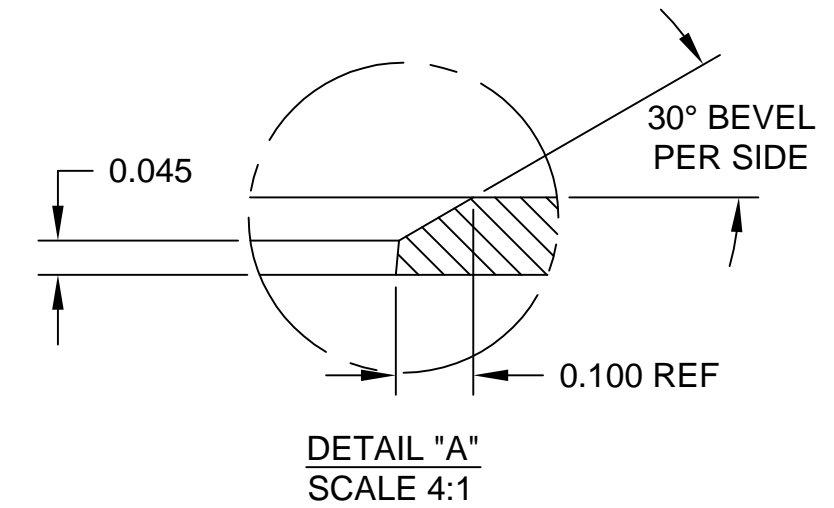


DWG. NO.	PT-11754-DW
ISSUE	REVISIONS



- NOTES:
- 1) PC BOARD BOSSES WILL ACCEPT A #4 X 1/4" THREAD FORMING SCREW
 - 2) MATERIAL: ABS - UL94-5VA
 - 3) FINISH: BLACK TEXTURE
 - 4) DIMENSIONS ARE TO THEORETICAL SHARP CORNERS.
 - 5) INCLUDES (4) #4-24 x 5/8 HI-LOW THREAD FORMING, CSK, OVAL HEAD, PHILLIPS DRIVE SCREWS FOR ATTACHING BODY TO COVER (MAX TORQUE 4.5 IN-LBS)



ITEM		REQ'D.	PART NO.	DESCRIPTION
TOLERANCES:		MAT:	AS NOTED	NAME:
±.005 BETWEEN HOLE CENTERS		FINISH:	SEE SPEC.	PLASTIBOX STYLE I
±.015 FROM SHEARED EDGE		DR. DP	5-23-05	WITH DISPLAY WINDOW
±.032 FROM A BENT SURFACE		CH.		BUD INDUSTRIES, INC.
±.063 BETWEEN ASSEMBLED SURFACES		APP.		WILLOUGHBY, OHIO
QTY.	USED ON	UNLESS OTHERWISE SPECIFIED		DWG. NO. PT-11754-DW