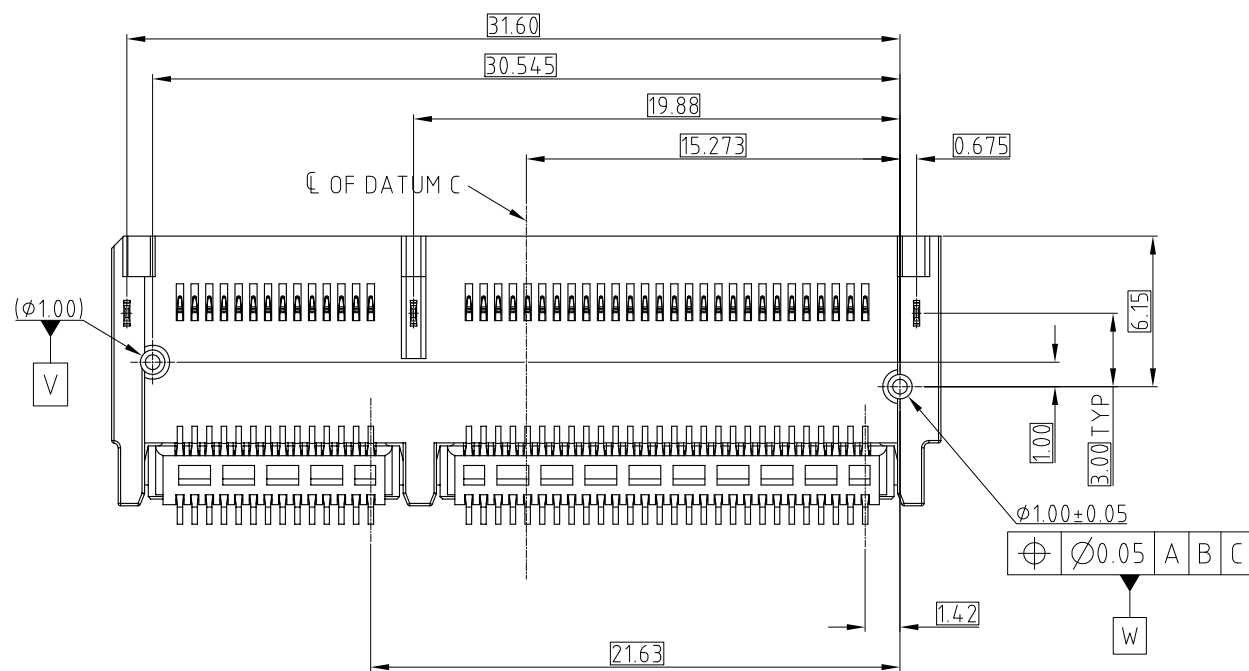
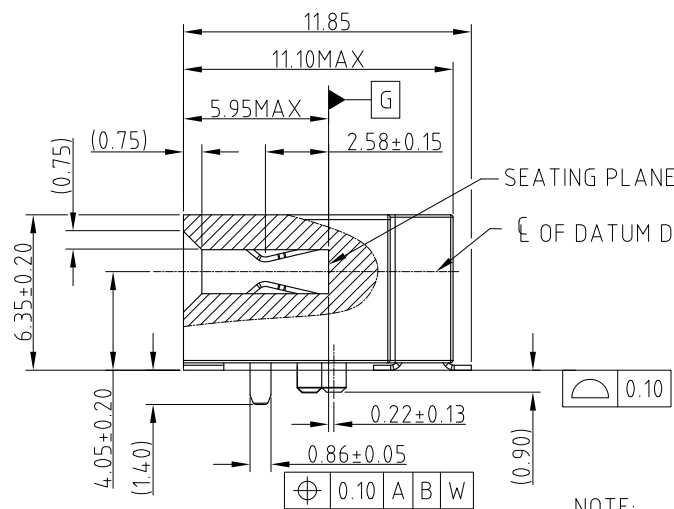
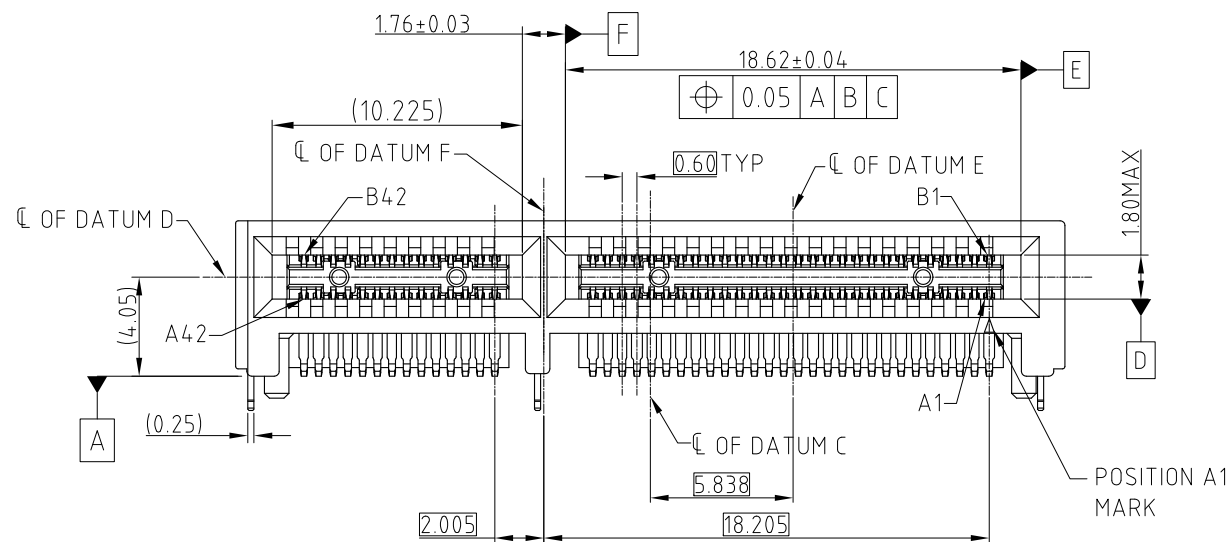
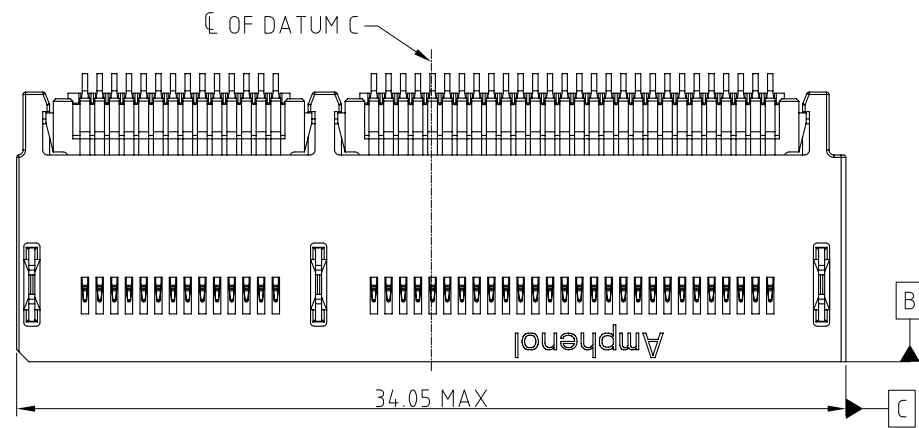


This document is the property of Amphenol Corporation and is delivered on the express condition that it is not to be disclosed, reproduced or used, in whole or in part, for manufacture or sale by anyone other than Amphenol Corporation without its prior consent, & that no right is granted to disclose or to use any information in this document.

# CUSTOMER DRAWING

## REVISIONS

SYM	ECN	DESCRIPTION	DATE	APPROVED
1	CDXXXX	PRELIMINARY PROPOSAL(FOLLOW GEN Z V1.0)	Nov.30,2017	YH
2	CDXXXX	FOLLOW SFF TA 1002 V1.1	Feb.12,2017	YH
3	CDXXXX	ADD AIC MATING CARD SPECIFICATION	May.28,2018	YH
4	CDXXXX	ADD AIC MATING CARD SPECIFICATION	Jun.05,2018	YH
5	CDXXXX	REVISE THE BOARD LOCK LENGTH	Jul.04,2018	YH
6	CDXXXX	REVISE THE DRAWING	Sep.21,2018	YH
7	CDXXXX	UPDATED BY SFF TA 1002 REV 1.1.2	Oct.12,2018	YH
8	CD1489	UPDATED BY SFF TA 1002 REV 1.1.3	Nov.08,2018	YH
9	CD1763	ADD PACKING	Jul.14,2019	YH



- NOTE:
- MATERIAL:
    - HOUSING: HIGH TEMPERATURE THERMOPLASTIC BLACK UL94-V0
    - CONTACT: COPPER ALLOY
    - BOARD LOCK: COPPER ALLOY
  - PLATING:
    - CONTACT: MATING AREA: Au THICKNESS PLEASE REFER TO PN SYSTEM, 1.27-2.54 μm NICKEL UNDERPLATED
    - SOLDER AREA: 1.27 μm MIN TIN OVER 1.27-2.54 μm NICKEL UNDERPLATED
    - BOARD LOCK: 1.27 MIN TIN OVER 1.27-2.54 μm NICKEL UNDERPLATED
  - ELECTRICAL PERFORMANCE:
    - RATED CURRENT: 1.1A/PIN UP TO 12PINS
    - LLCR: 30mΩ MAX, DELTA 15 mΩ.
    - INSULATION RESISTANCE: 1000MΩ MIN
  - DURABILITY: 200 CYCLES.
  - ATERIAL SHOULD BE FULFILLED AMPHENOL SPEC# S-SN-002 AND S-SN-004
  - ORDERING PN SYSTEM ME100841020103X

### PLATING SPEC

- 0.76um Au
- 0.38um Au
- GOLD FLASH
- PdNi0.76um+GF



UNLESS OTHERWISE SPECIFIED TOLERANCES	
U.S.	METRIC
.X +/-	0.25
.XX +/-	0.20
.XXX +/-	0.15
FRACTIONS +/-	5°
ANGLES +/-	

FOR MATERIALS AND FINISHES SEE NOTES

REMOVE SHARP EDGES

DIMENSIONS

—U.S.—	INCHES
(METRIC)	(mm)

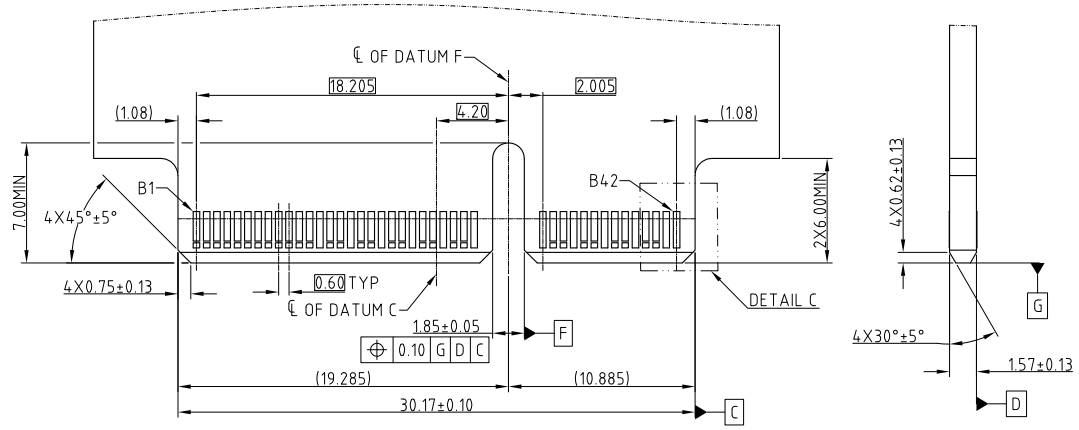
APPROVAL		DATE
DRAWN	Teng.Cao	Jul.14,2019
CHECKED	Ly.Yi	Jul.14,2019
APPROVED		
DRAWING FILE :		
INTERNAL\DRAWING\ME\C ME100841020103X		
ANGLE OF PROJECTION		

<b>Amphenol</b>		
TITLE		
MINI COOL EDGE CONNECTOR 84P R/A 0.6MM PITCH 4.05		
SIZE	DRAWING NO.	REV.
A3	C ME100841020103X	9
SCALE	NONE	SHEET 1 OF 3

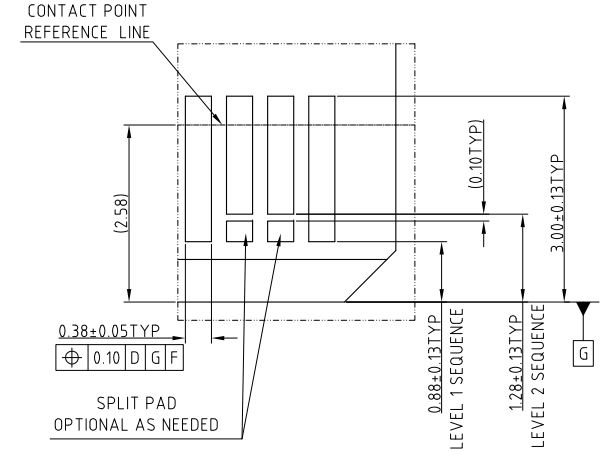
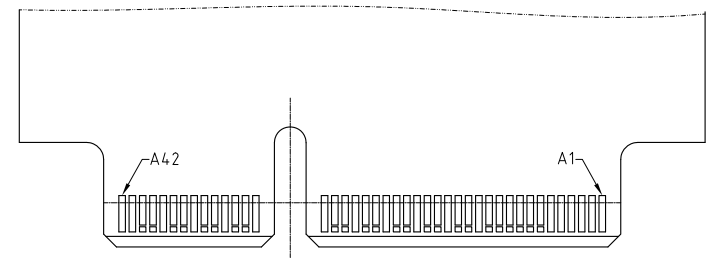
This document is the property of Amphenol Corporation and is delivered on the express condition that it is not to be disclosed, reproduced or used, in whole or in part, for manufacture or sale by anyone other than Amphenol Corporation without its prior consent, & that no right is granted to disclose or to use any information in this document.

# CUSTOMER DRAWING

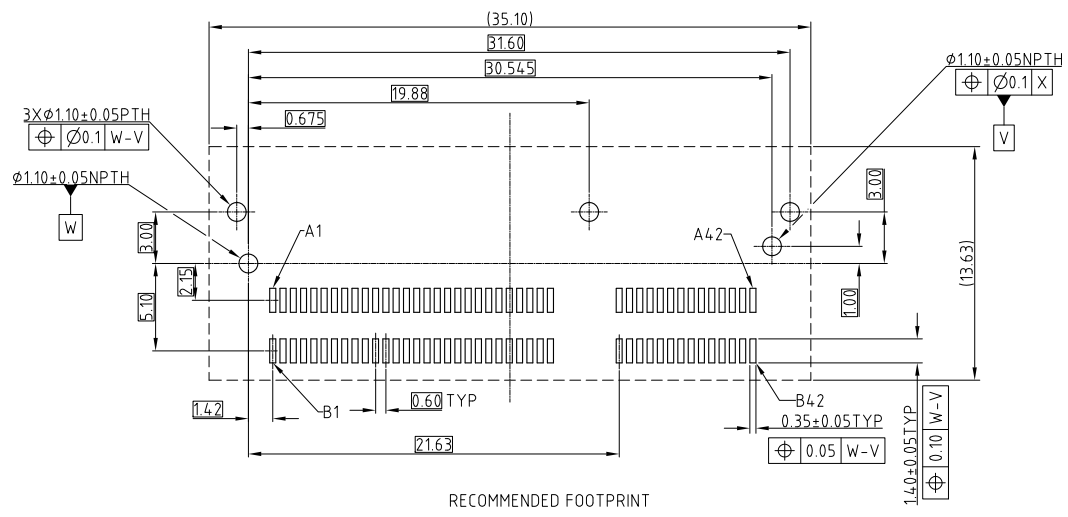
REVISIONS				
SYM	ECN	DESCRIPTION	DATE	APPROVED
		SEE SHEET 1		



RECOMMENDED AIC MATING CARD



DETAIL C  
SCALE 4:1



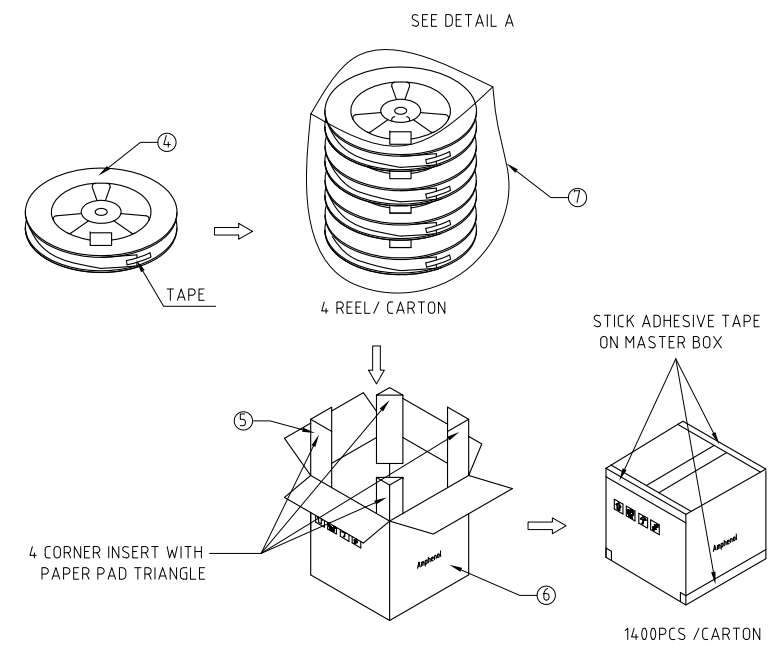
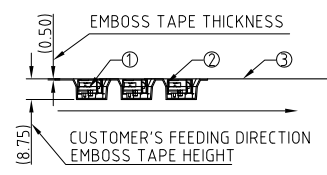
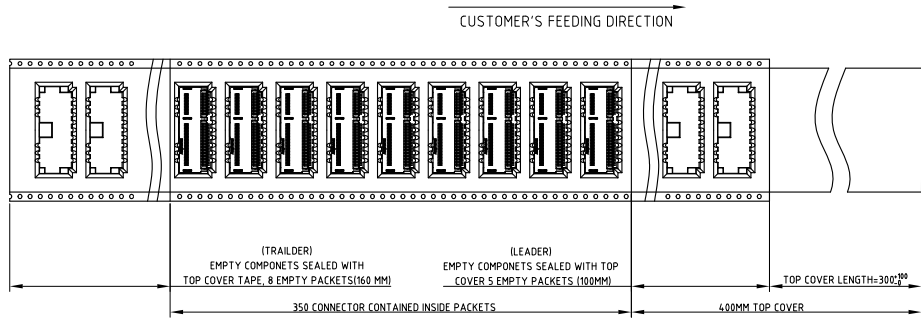
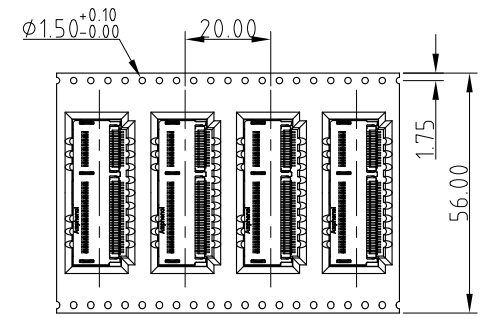
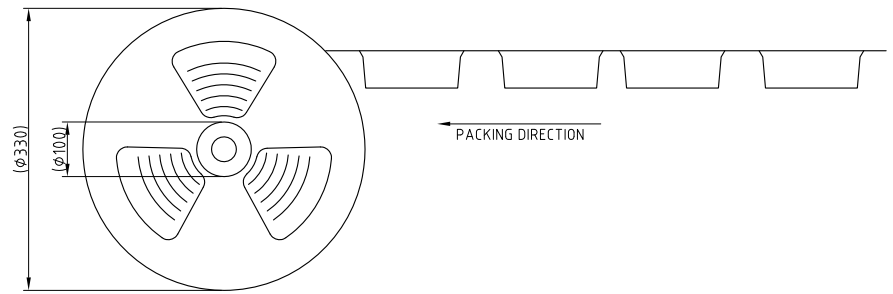
RECOMMENDED FOOTPRINT

UNLESS OTHERWISE SPECIFIED TOLERANCES U.S. METRIC X +/- 0.25 .XX +/- 0.20 .XXX +/- 0.15 FRACTIONS +/- ANGLES +/- 5° FOR MATERIALS AND FINISHES SEE NOTES REMOVE SHARP EDGES DIMENSIONS U.S. INCHES (METRIC) (mm)	APPROVAL DRAWN Teng.Cao CHECKED Ly.Yi APPROVED	DATE Jul.14,2019 Jul.14,2019	<b>Amphenol</b>  TITLE <b>MINI COOL EDGE CONNECTOR          84P R/A 0.6MM PITCH 4.05</b>		
	DRAWING FILE : INTERNAL_DRAWING\MEX_C ME100841020103X				SIZE <b>A3</b>
	ANGLE OF PROJECTION 		SCALE NONE		SHEET <b>2</b> OF <b>3</b>
				1	

This document is the property of Amphenol Corporation and is delivered on the express condition that it is not to be disclosed, reproduced or used, in whole or in part, for manufacture or sale by anyone other than Amphenol Corporation without its prior consent, & that no right is granted to disclose or to use any information in this document.

# CUSTOMER DRAWING

REVISIONS				
SYM	ECN	DESCRIPTION	DATE	APPROVED
SEE SHEET 1				



THIS PAGE FOR REFERENCE ONLY

ITEM	DESCRIPTION	MATERIAL
7	PLASTIC BAG	
6	PAPER PAD TRIANGLE	CORRUGATED FIBERBOARD
5	MASTER BOX	CORRUGATED FIBERBOARD
4	PP REEL	PP
3	TOP COVER TAPE	PET
2	EMBOSS TAPE	POLYSTYRENE
1	Connector	



UNLESS OTHERWISE SPECIFIED TOLERANCES U.S. METRIC .X +/- 0.25 .XX +/- 0.20 .XXX +/- 0.15 FRACTIONS +/- ANGLES +/- 5° FOR MATERIALS AND FINISHES SEE NOTES	APPROVAL	DATE	<b>Amphenol</b>  TITLE <b>MINI COOL EDGE CONNECTOR</b> <b>84P R/A 0.6MM PITCH 4.05</b>	
	DRAWN Teng.Cao	Jul.14,2019		
	CHECKED Ly.Yi	Jul.14,2019		
	APPROVED			DRAWING FILE : INTERNAL_DRAWING_MEX_C ME100841020103X
REMOVE SHARP EDGES	ANGLE OF PROJECTION		SIZE DRAWING NO. <b>A3 C ME100841020103X</b>	REV. <b>9</b>
DIMENSIONS			SCALE NONE	SHEET 3 OF 3
U.S. INCHES				
METRIC (mm)				