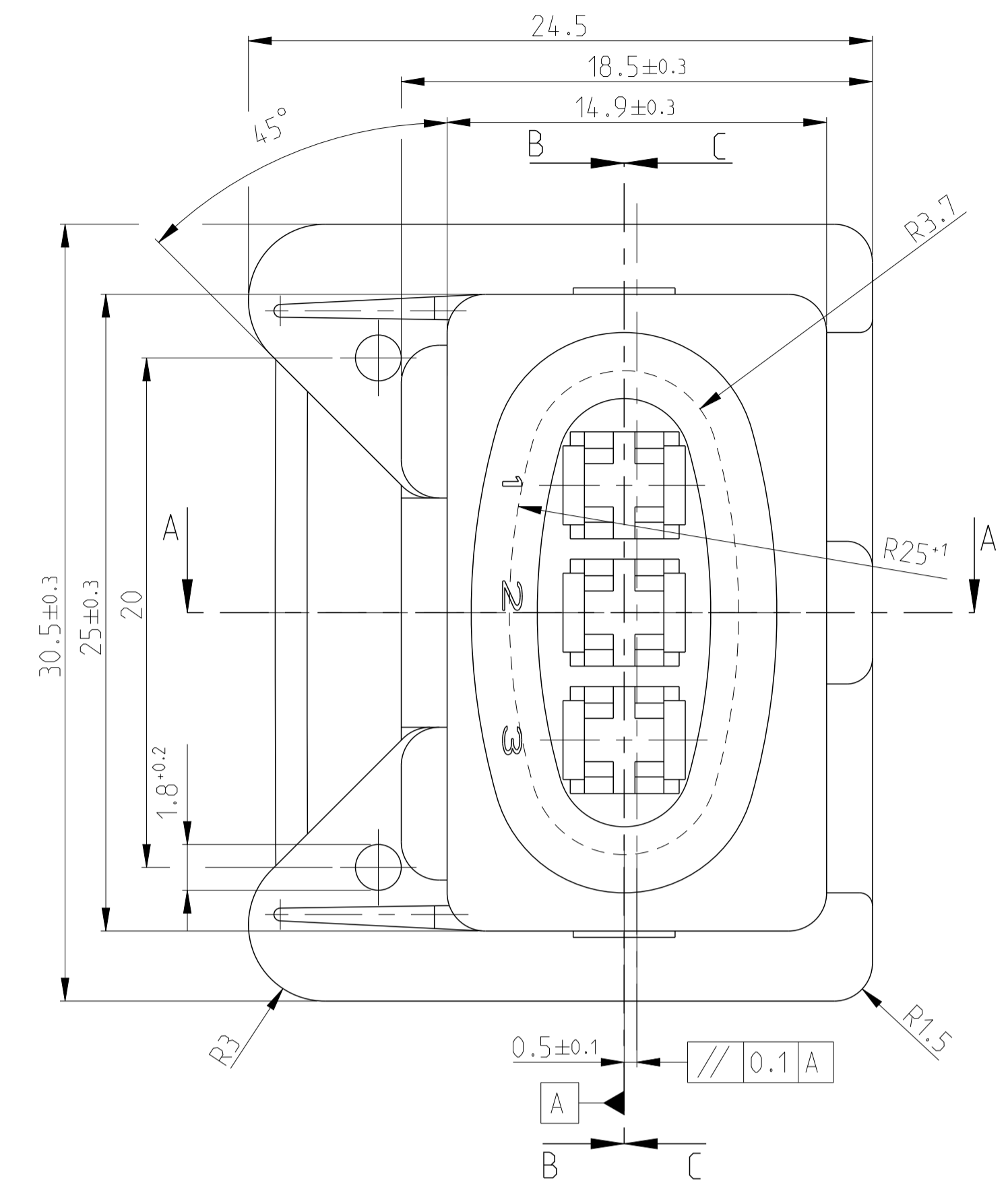
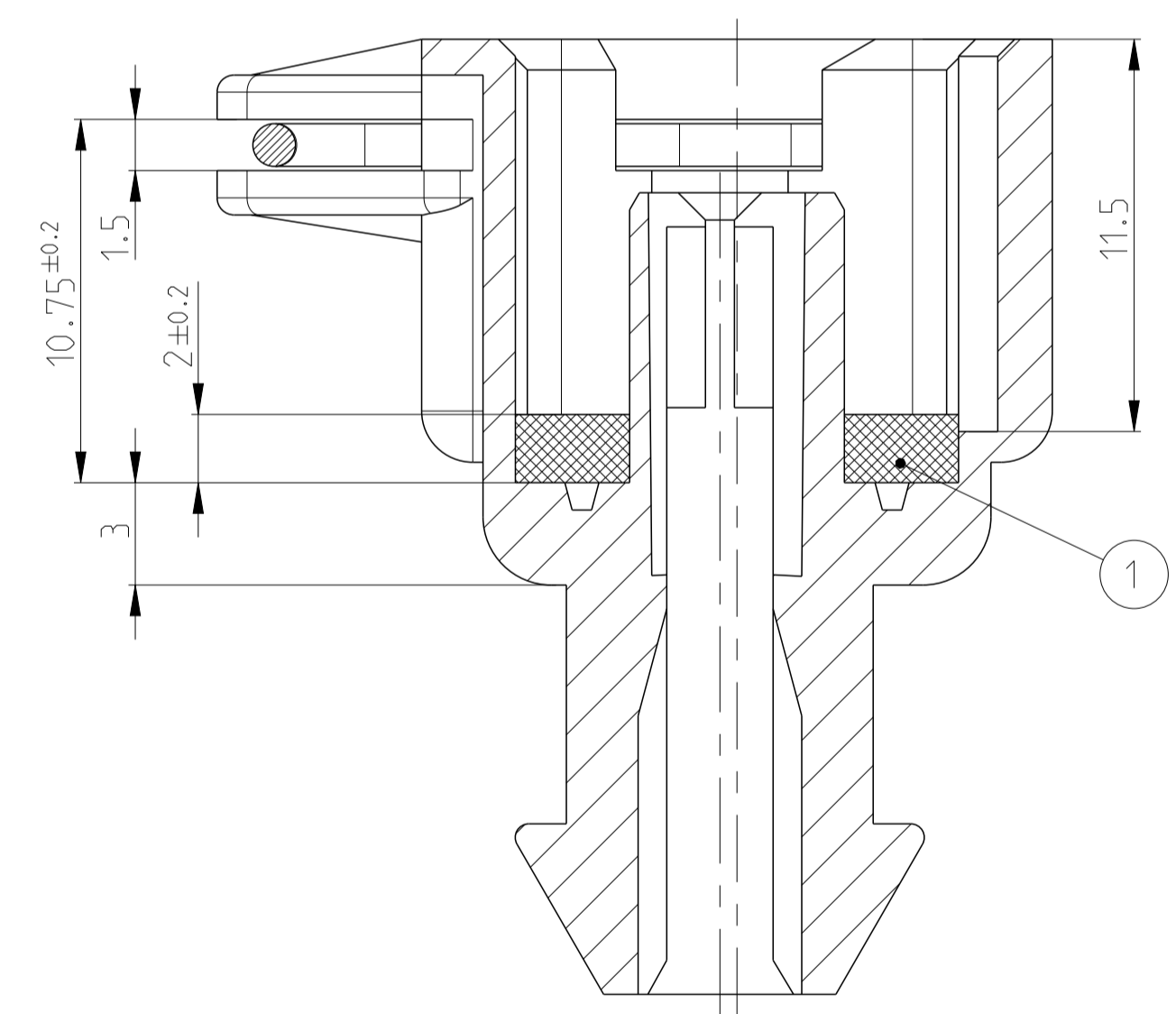


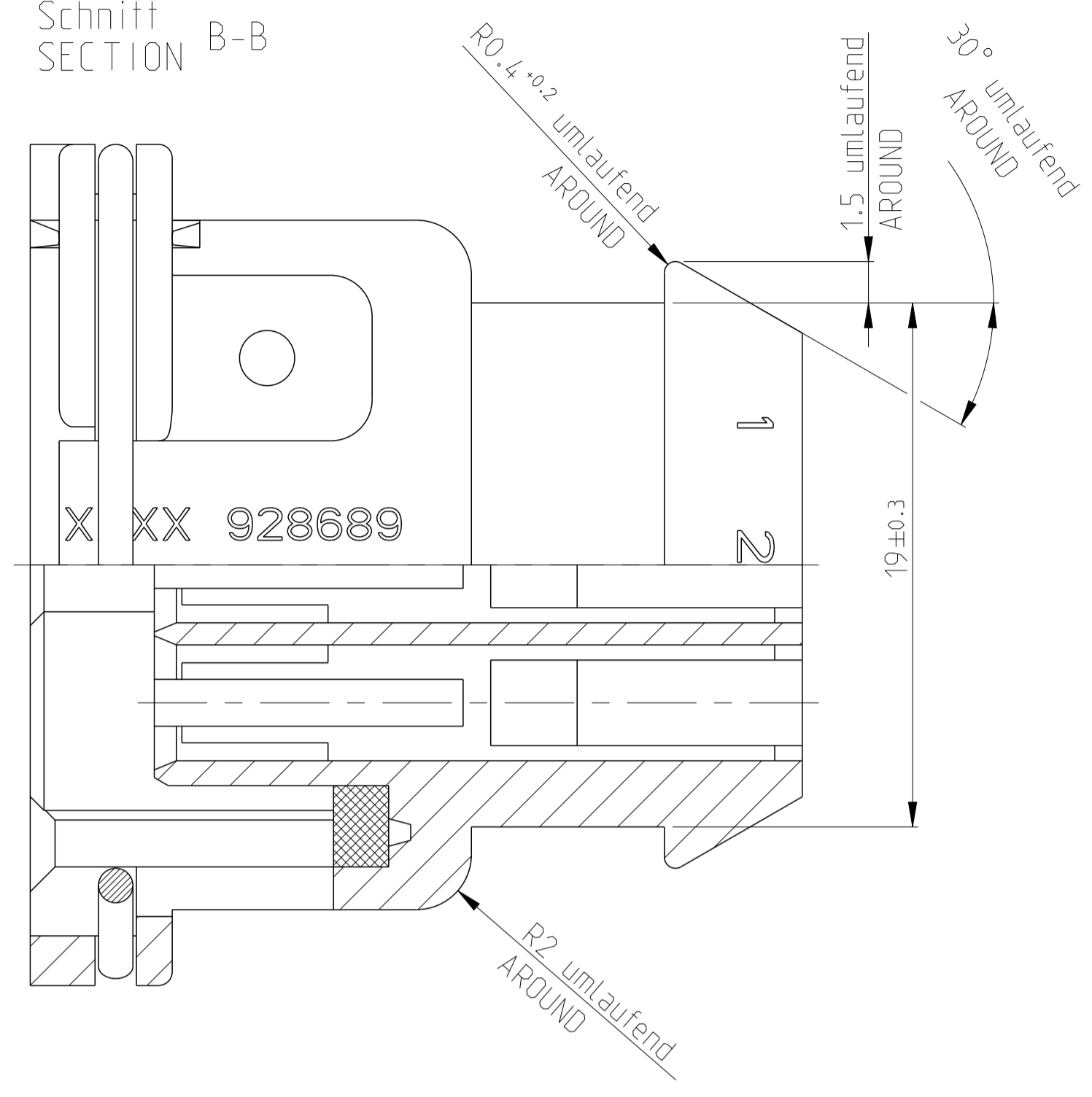
REVISIONS				
P.	LTN	DESCRIPTION	DATE	APPROV
A1		NEW DRAWING CREATED	29MAY2007	HAAS STRE
A2		SET PN 's OBSOLETE	10AUG2017	HD. KRAU
A3		General Tolerance added	2FEB2018	MN MN



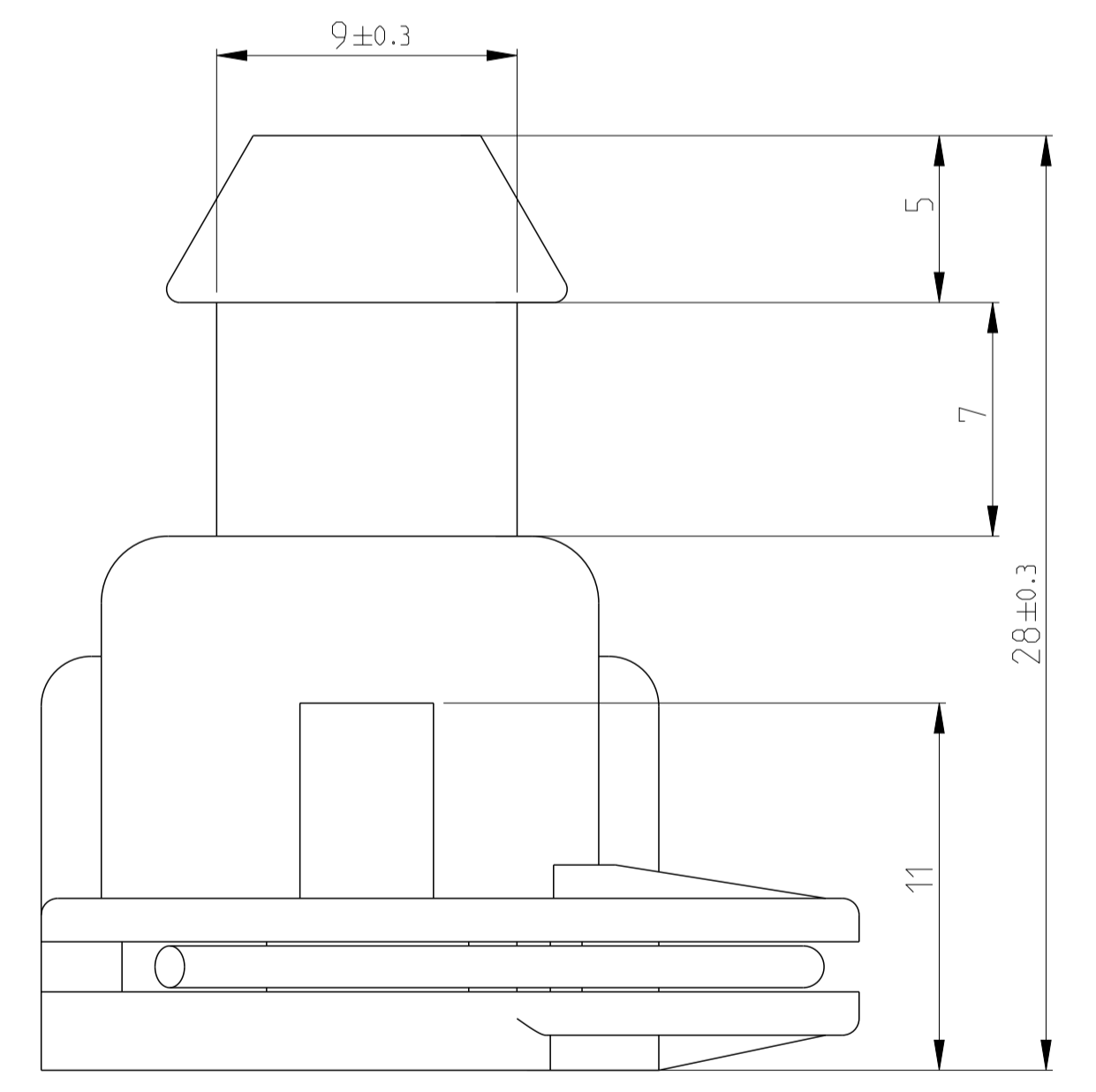
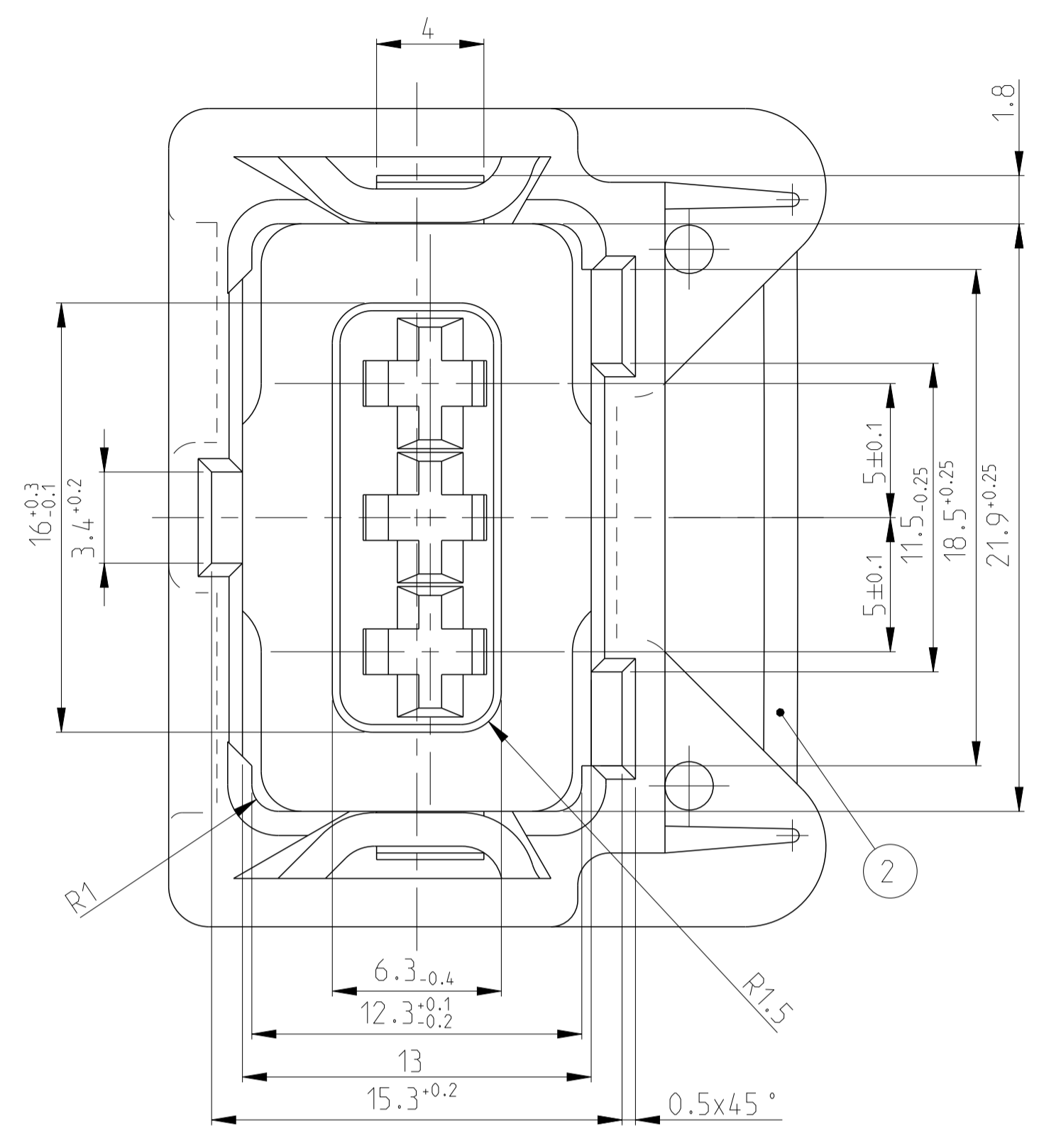
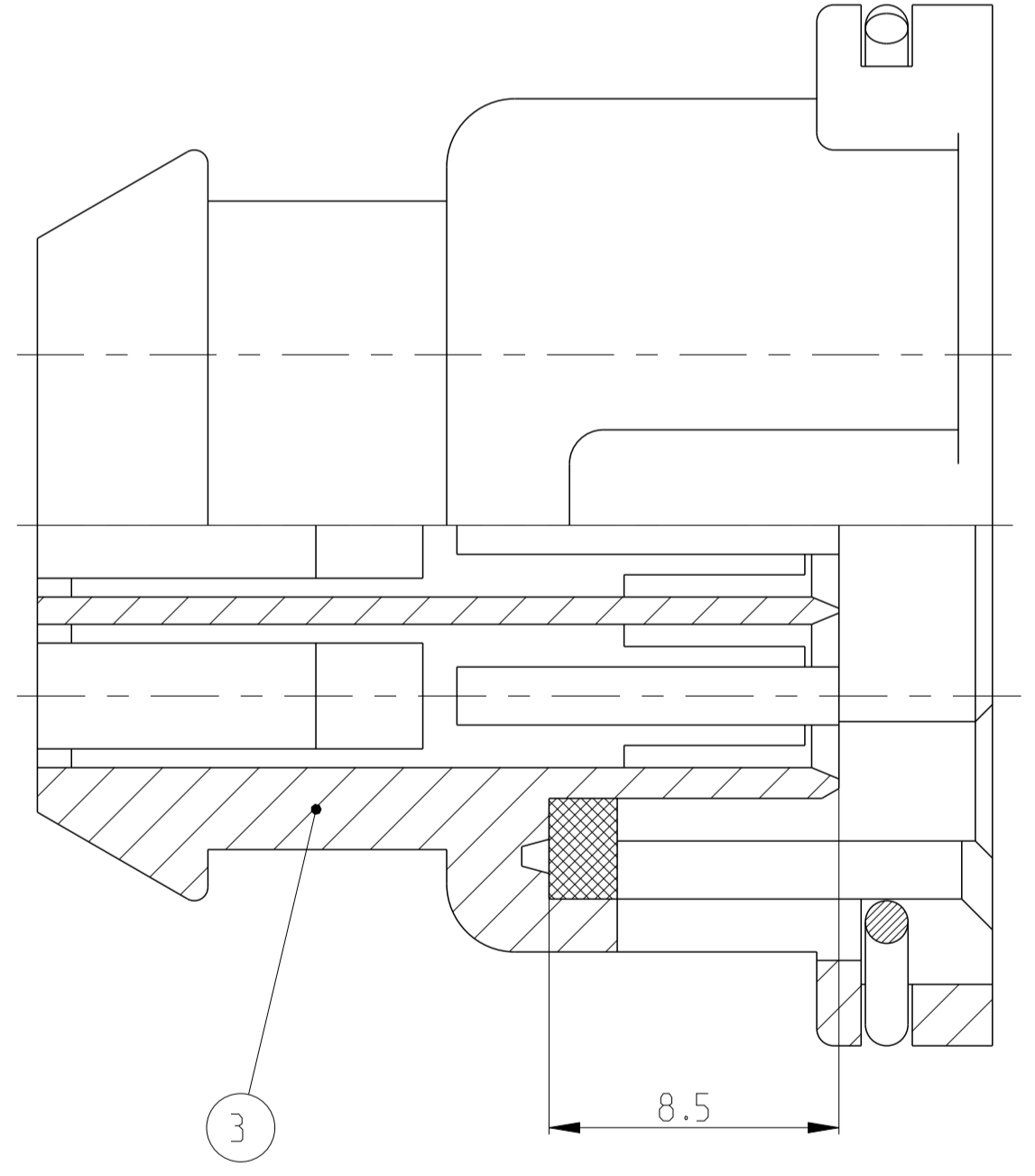
Schnitt SECTION A-A



Schnitt SECTION B-B



Schnitt SECTION C-C



REVISION	OB	OB	OB	OB	A	A	OB					
	SO	SO	SO	SO			SO					
X								3	3 POS. HOUSING	PA6.6 GV30	YELLOW	
	X							3	3 POS. HOUSING	PA6.6 GV30	RED	
		X						3	3 POS. HOUSING	PA6.6 GV30	GREEN	
			X					3	3 POS. HOUSING	PA6.6 GV30	BLUE	
				X				3	3 POS. HOUSING	PA6.6 GV30	BROWN	
					X			3	3 POS. HOUSING	PA6.6 GV30	BLACK	
						X		3	3 POS. HOUSING	PA6.6 GV30	GREY	
							X	3	3 POS. HOUSING	PA6.6 GV30	WHITE	
X	X	X	X	X	X	X	X	2	SPRING	SPRING STEEL WIRE Federstahl	PLAIN blank	
X	X	X	X	X	X	X	X	1	SEALING	CR	BLACK	
828748-8									ITEM NO.			
828748-7									Pos.			
828748-6									DESCRIPTION			
828748-5									MATERIAL			
828748-4									Werkstoff			
828748-3									COLOR			
828748-2									Farbe			
828748-1												

THIS DRAWING IS A CONTROLLED DOCUMENT.

DIMENSIONS: mm

TOLERANCES UNLESS OTHERWISE SPECIFIED: ±0.3

FINISH: 45°

MATERIAL: -

OWN: Kowolik, R. 30JAN1987  
 CHK: M. G. 10FEB1987  
 APVD: Bleicher, M. 01SEP2006  
 PRODUCT SPEC: -

APPLICATION SPEC: -

WEIGHT: -

CUSTOMER DRAWING

NAME: ASSY OF 3 POS. HOUSING FOR JUNIOR (POWER) TIMER CONTACT

SIZE: A1

CAGE CODE: 00779

DRAWING NO: 828748

RESTRICTED TO: A3

SCALE: 5:1

SHEET: 1 OF 1

REV: A3

STE TE Connectivity