

3E

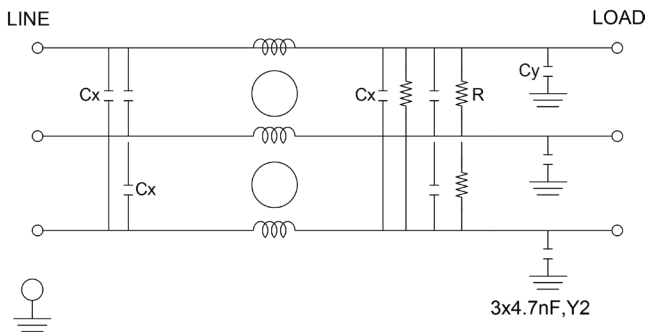
3 PHASE SWITCH MODE EMI FILTER

FEATURES

- » Rated currents include **15A, 20A, 30A, 45A, 60A, 80A, 100A, 150A and 200A**
- » Dual Stage Line Filter
- » Available with **S** (studs) option
- » Switch Mode Design
- » Low Profile Case & Flange Mount Available
- » Agency Approved to UL E78081, CSA LR53652 and TUV
- » Y-cap value can be adjusted to fit specification

ELECTRICAL SCHEMATIC

DELTA - SUFFIX "D"

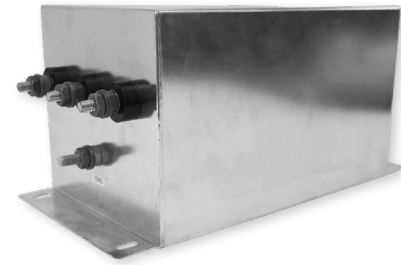


HOW TO ORDER

3E30 LF



NOTE: USE ANY COMBINATION OF -X (AMPS) WITH ANY -Y RATINGS
E.G. **3E30 LF**(40 AMPS, LOW PROFILE CASE, FLANGE MOUNT)



SPECIFICATIONS

OPERATING FREQUENCY	50/60Hz
MAX. OPERATING VOLTAGE	250VAC +10%
TERMINALS (-T)	STUDS: 10-32(15-45A), 1/4-20 (60A), 5/16-18 (80-100A), 3/8-16 (150A)
TYP. WEIGHT, LBS (KG)	2.89 - 51 (1.31 - 23.13)

TYPICAL LEAKAGE CURRENT

@ 250 VAC 50 Hz 0 - 2.4 mA Max.

HIPOT RATINGS

LINE TO GROUND 2200 VDC - 3500 VDC

TYPICAL APPLICATIONS

- ✓ High Power Rectifiers
- ✓ Uninterrupted Power Supplies
- ✓ Processing Equipment
- ✓ Alternative Energy (EV Charging & Solar)
- ✓ Factory Machinery

3E

3 PHASE SWITCH MODE EMI FILTER

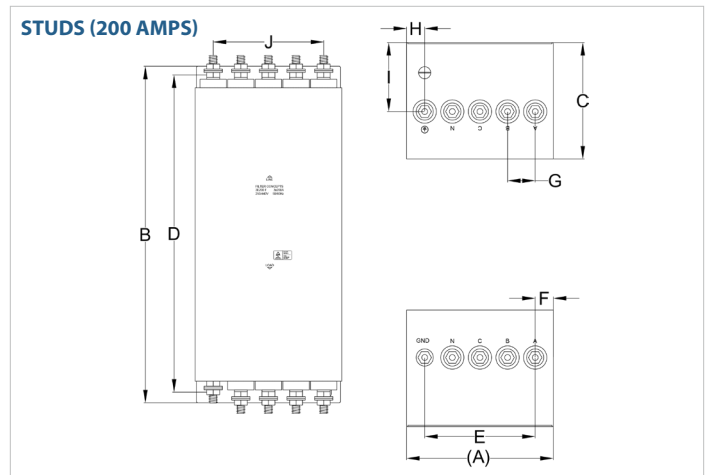
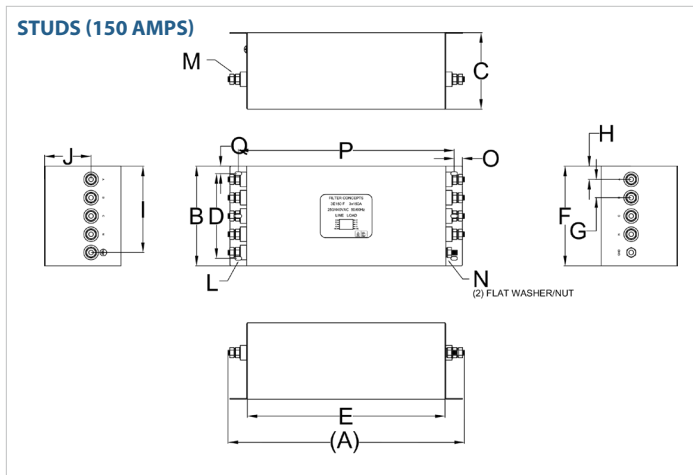
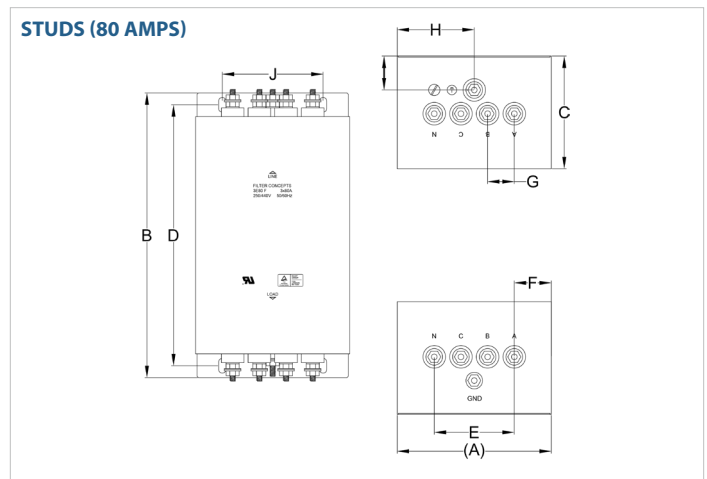
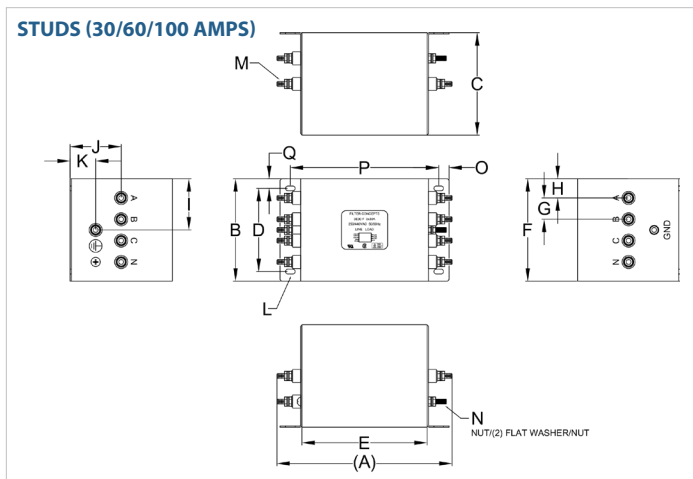
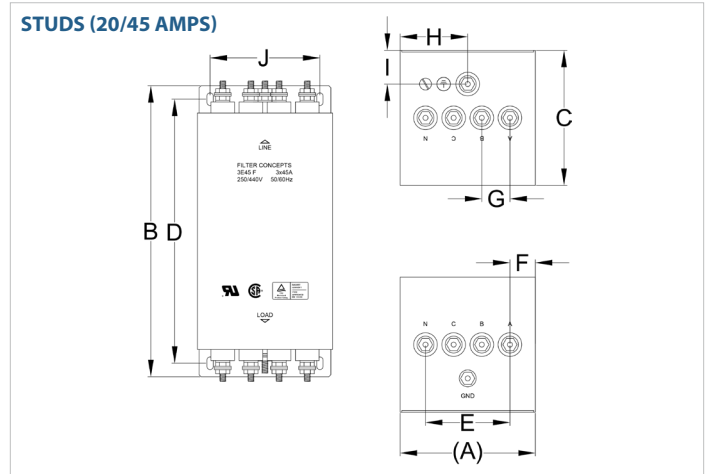
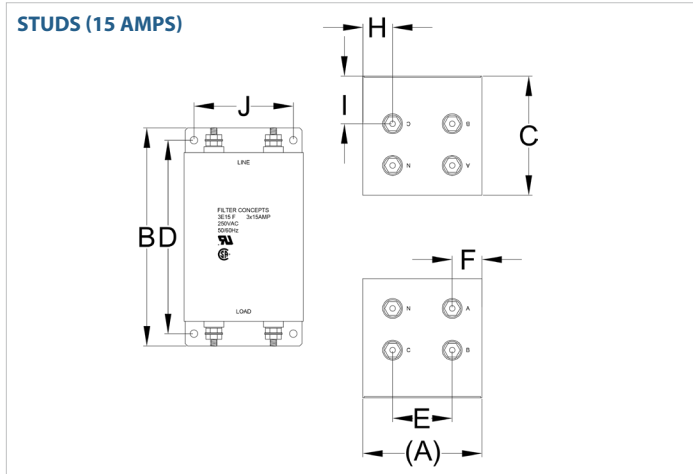
MODEL NO.	RATED CURRENT (A) @ 40° C	Y-CAP, nF	LEAKAGE CURRENT, mA @ 250V AC, 50 Hz	TERMINAL OPTIONS		MAX. DIMENSIONS" (MM)		
				(QD) INPUT/ OUTPUT	(S) INPUT/ OUTPUT	WIDTH	(LENGTH)	HEIGHT
3E15	15	*	1.4	*	*	3.00"(76)	5.49"(139)	3.00"(76)
3E15 F	15	4x.01µF	1.2		✓	3.00"(76)	5.49"(139)	3.00"(76)
3E15D F	15	3x.01µF	.9		✓	3.00"(76)	5.49"(139)	3.00"(76)
3E15D H	15	3x.01µF	.9		✓	3.00"(76)	5.49"(139)	3.00"(76)
3E20	20	*	1.4	*	*	4.00"(102)	6.62"(168)	4.00"(102)
3E20 DLF	20	3x.01µF	1.4		✓	4.00"(102)	6.62"(168)	4.00"(102)
3E20 LF	20	4x.01µF	1.4		✓	4.00"(102)	6.62"(168)	4.00"(102)
3E20D LF	20	3x.01µF	1.4		✓	4.00"(102)	6.62"(168)	4.00"(102)
3E30	30	*	1.4	*	*	4.00"(102)	6.86"(174)	4.00"(102)
3E30 F	30	4x.01µF	1.4		✓	4.00"(102)	6.86"(174)	4.00"(102)
3E30 L	30	4x.01µF	1.4		✓	4.00"(102)	6.86"(174)	4.00"(102)
3E30 LF	30	4x.01µF	1.4		✓	4.00"(102)	6.86"(174)	4.00"(102)
3E30A F	30	4x.01µF/4x.0047µF	2.1		✓	4.00"(102)	6.86"(174)	4.00"(102)
3E45	45	*	1.4	*	*	4.00"(102)	8.62"(219)	4.00"(102)
3E45 L	45	*	1.4	*	*	4.00"(102)	8.62"(219)	4.00"(102)
3E60	60	*	1.4	*	*	4.00"(102)	8.62"(219)	4.00"(102)
3E60 F	60	4x.01µF	1.6		✓	4.00"(102)	8.62"(219)	4.00"(102)
3E60D F	60	3x.01µF	1.2		✓	4.00"(102)	8.62"(219)	4.00"(102)
3E80	80	*	1.6	*	*	6.50"(165)	12.00"(305)	4.75"(121)
3E80 F	80	4x.01µF	2.4		✓	6.50"(165)	12.00"(305)	4.75"(121)
3E80 H	80	4x.01µF	2.4		✓	6.50"(165)	12.00"(305)	4.75"(121)
3E80A F	80	4x.01µF/4x.0047µF	2.3		✓	6.50"(165)	12.00"(305)	4.75"(121)
3E100	100	*	1.6	*	*	6.50"(165)	14.30"(363)	4.75"(121)
3E100 F	100	4x.015µF	1.6		✓	6.50"(165)	14.30"(363)	4.75"(121)
3E100D	100	*	1.6	*	*	6.50"(165)	14.30"(363)	4.75"(121)
3E150	150	*	1.8	*	*	7.50"(191)	17.80"(452)	5.75"(146)
3E150 F	150	4x.01µF/4x.001µF	1.8		✓	7.50"(191)	17.80"(452)	5.75"(146)
3E150D	150	*	1.8	*	*	7.50"(191)	17.80"(452)	5.75"(146)
3E200	200	*	1.8	*	*	8.50"(216)	19.50"(495)	6.75"(171)
3E200D	200	*	1.8	*	*	8.50"(216)	19.50"(495)	6.75"(171)

*Contact factory for dimensions.

3E

3 PHASE SWITCH MODE EMI FILTER

3E MECHANICAL OUTLINES (MM)



3E

3 PHASE SWITCH MODE EMI FILTER

SERIES	(A)	B	C	D	E	F	G	H	I	J	K	L	M	N	O	P	Q	
3 amps	3.00" (76)	5.49" (139)	3.00" (76)	4.87" (124)	1.50" (38)	0.75" (19)	N/A	0.75" (19)	1.20" (30)	2.50" (64)	N/A	N/A	N/A	N/A	N/A	N/A	N/A	
20 amps	4.00" (102)	6.62" (168)	4.00" (102)	5.82" (148)	2.50" (64)	0.75" (19)	0.83" (21)	2.00" (51)	1.00" (25)	3.25" (83)	N/A	N/A	N/A	N/A	N/A	N/A	N/A	
30 amps	6.86" (174)	4.00" (102)	4.00" (102)	3.25" (83)	4.90" (124)	4.00" (102)	0.83" (21)	0.75" (19)	2.00" (51)	2.00" (51)	1.00" (25)	Ø .187x.375, 4x	STUD 10-32, 9x	STUD 10-32	GND	0.41" (10)	0.38" (10)	5.81"
45 amps	4.00" (102)	8.62" (219)	4.00" (102)	7.82" (199)	2.50" (64)	0.75" (19)	0.83" (21)	2.00" (51)	1.00" (25)	3.25" (83)	N/A	N/A	N/A	N/A	N/A	N/A	N/A	
60 amps	10.40" (264)	5.00" (127)	4.75" (121)	4.00" (102)	8.00" (203)	5.00" (127)	1.00" (25)	1.00" (25)	2.50" (64)	2.43" (62)	1.43" (36)	Ø.250 X .500, 4x	STUD 1/4-20, 9x	STUD 1/4-20	GND	0.49" (12)	8.98" (228)	0.50" (13)
80 amps	6.50" (165)	12.00" (305)	4.75" (121)	11.00" (279)	3.38" (86)	1.56" (40)	1.13" (29)	3.25" (83)	1.43" (36)	4.25" (108)	N/A	N/A	N/A	N/A	N/A	N/A	N/A	
100 amps	14.30" (363)	6.50" (165)	4.75" (121)	4.25" (108)	12.00" (305)	6.50" (165)	1.13" (29)	1.56" (40)	3.25" (83)	2.43" (62)	1.43" (36)	.312 x .620	STUD GND 5/16-18	STUD 5/16-18	5/16-18, 9x	0.50" (13)	13.00" (330)	1.13" (29)
150 amps	17.80" (452)	7.50" (191)	5.75" (146)	6.38" (162)	14.88" (378)	7.50" (191)	1.38" (35)	1.00" (25)	6.50" (165)	3.50" (89)	N/A	Ø 0.50x0.28, 6x	STUD 3/8-16, 9x	STUD 3/8-16	GND	0.63" (16)	16.25" (413)	0.56" (14)
200 amps	8.50" (216)	19.50" (495)	6.75" (171)	18.38" (467)	6.43" (163)	1.05" (27)	1.60" (41)	1.05" (27)	4.00" (102)	6.40" (163)	N/A	N/A	N/A	N/A	N/A	N/A	N/A	

TYPICAL TOLERANCE: +/-0.02" (0.50MM)

TYPICAL INSERTION LOSS, dB (50/50 Ohm)

Amps	Freq (MHz)	Insertion Loss (dB)				
		0.15	0.5	1.0	10	30
15	CM (dB)	22	50	40	56	63
	DM (dB)	25	55	41	58	66
20	CM (dB)	22	50	40	56	63
	DM (dB)	25	55	41	58	66
30	CM (dB)	22	50	40	56	63
	DM (dB)	40	60	41	58	66
45	CM (dB)	22	50	40	56	63
	DM (dB)	25	55	41	58	66
60	CM (dB)	25	50	40	56	63
	DM (dB)	30	60	41	58	66
80	CM (dB)	30	55	40	56	63
	DM (dB)	30	60	41	58	66

3E

3 PHASE SWITCH MODE EMI FILTER

Amps	Freq (MHz)	0.15	0.5	1.0	10	30
100	CM (dB)	22	50	40	56	63
	DM (dB)	25	55	41	58	66
150	CM (dB)	22	50	40	56	63
	DM (dB)	25	55	41	58	66
200	CM (dB)	22	50	40	56	63
	DM (dB)	25	55	41	58	66