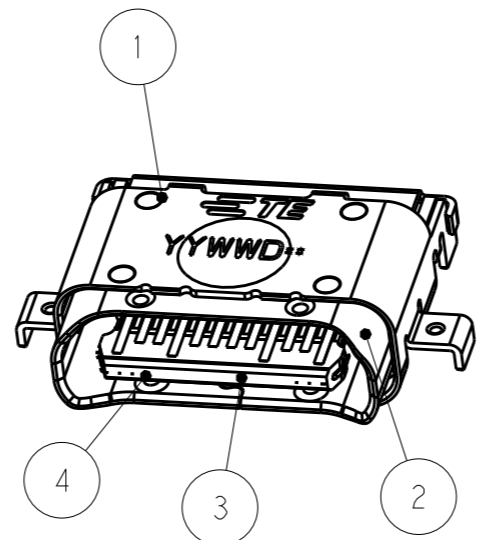
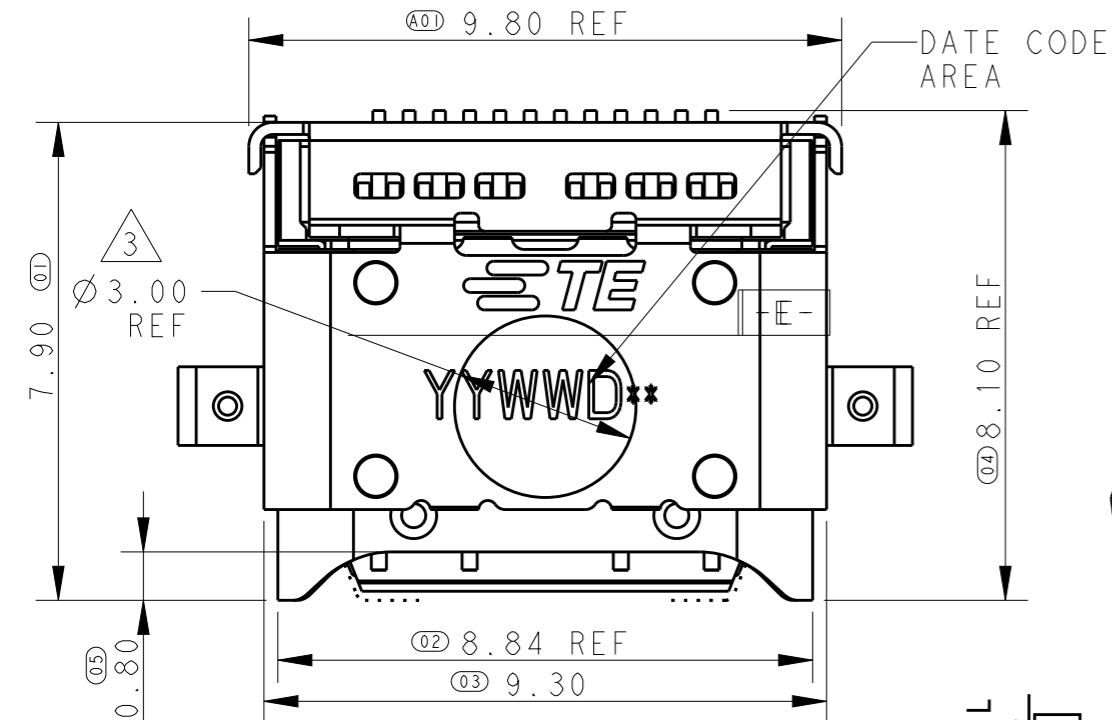


THIS DRAWING IS UNPUBLISHED. RELEASED FOR PUBLICATION 20
 © COPYRIGHT 20 BY - ALL RIGHTS RESERVED.

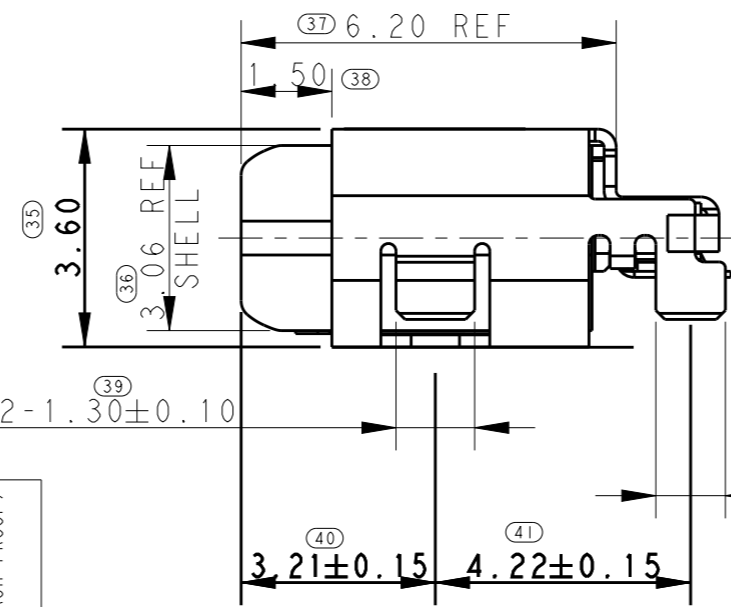
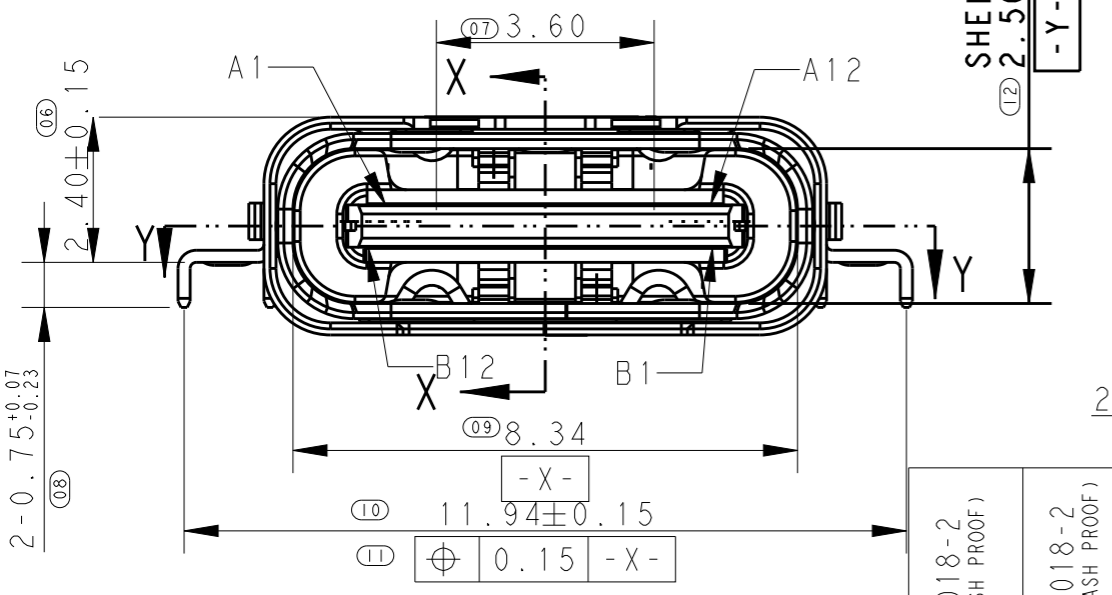
REVISIONS				
P	LTR	DESCRIPTION	DATE	APVD
A		REVISED	07APR2017	A.X H.WU
A1		REVISED PER ECR-17-004423	13NOV2017	S.ZH S.L
B		REVISED PER ECR-18-010233	T.Z	S.L

SHOWN AS; 2295018-2



- NOTES:
 1. MATERIAL : SEE TABLE "A"
 2. FINISH : SEE TABLE "A"
 3. PICKING AREA
 4. DATE CODE
 5. FEATURES IDENTIFIED AS STATISTICALLY TOLERANCED (ST)

DAY SHIFT OR NIGHT SHIFT
 YYWWD**
 ASSY LINE NO. A,B,C,***



FOR ALL SMT CONTACT TAILS BEFORE REFLOW 0.08MAX. AFTER REFLOW 0.10MAX.

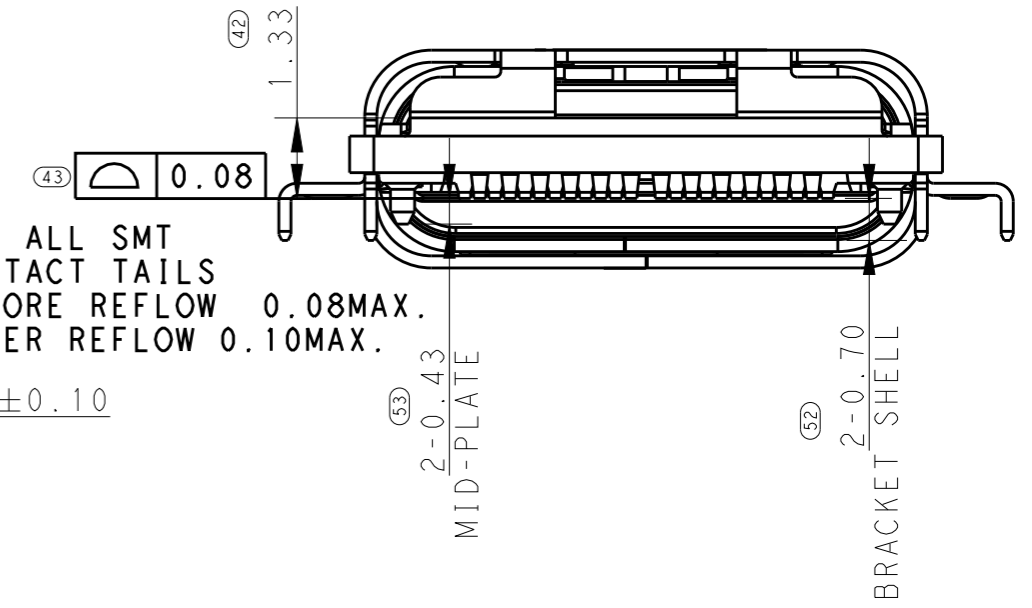


TABLE "A"

ITEM	DESCRIPTION	MATERIAL AND FINISH	Q'TY	Q'TY
-	PACKAGE	-	-	-
11	POTTING	SILICONE	1	1
10	MYLAR	POLYIMIDE TAPE	1	-
9	LOWER CONTACT	ALLOY. CONTACT AREA:0.75um MIN Au PLATED. SOLDER AREA:GOLD FLASH.	1	1
8	UPPER CONTACT	ALL OVER:1.27 um MIN NI PLATED	1	1
7	LOWER CONTACT IM	HIGH TEMPERATURE PLASTIC,BLACK, UL94V-0	1	1
6	UPPER CONTACT IM	HIGH TEMPERATURE PLASTIC,BLACK, UL94V-0	1	1
5	INNER SHELL	STAINLESS STEEL, CLEANING	2	2
4	MID-PLATE	STAINLESS STEEL, OVER ALL, 1.27um MIN NI PLATED.	1	1
3	MAIN IM HOUSING	HIGH TEMPERATURE PLASTIC,BLACK, UL94V-0	1	1
2	MAIN SHELL	STAINLESS STEEL, OVER ALL, 1.27 um MIN NI PLATED.	1	1
1	BRACKET SHELL	STAINLESS STEEL, OVER ALL, 1.27 um MIN NI PLATED.	1	1

2295018-2 (SPLASH PROOF)
 1-2295018-2 (NONE SPLASH PROOF)

51

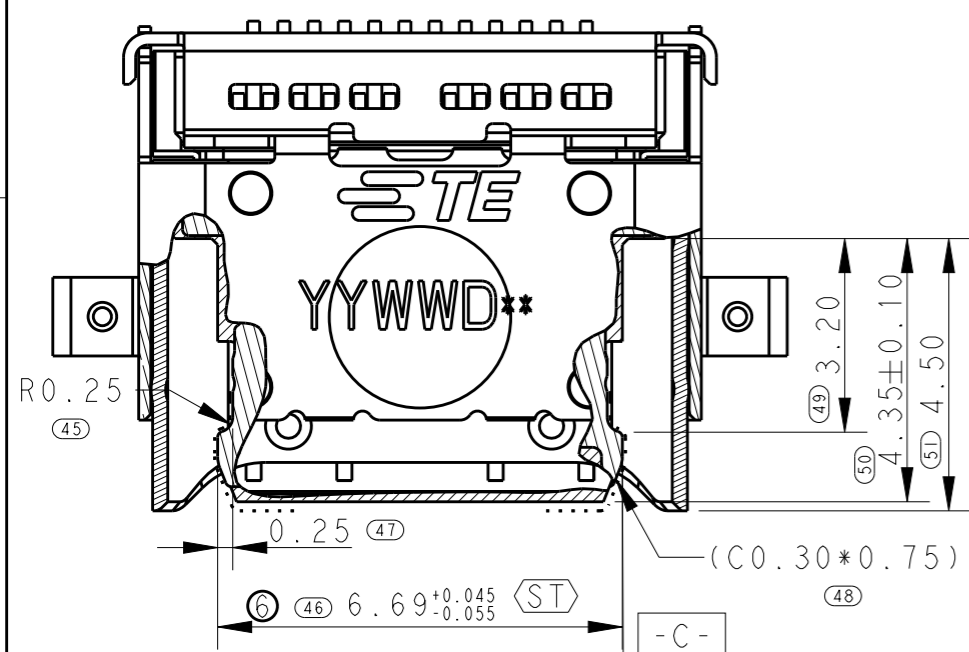
THIS DRAWING IS A CONTROLLED DOCUMENT.		DWN S.ZH 18AUG2015	 TE Connectivity	NAME USB C, RECEPTACLE, DUAL ROW SMT, OFFSET 0.65MM
DIMENSIONS: mm		CHK H.WU 18AUG2015		
TOLERANCES UNLESS OTHERWISE SPECIFIED:		APVD H.WU 18AUG2015		
0 PLC ±0.25 1 PLC ±0.25 2 PLC ±0.25 3 PLC ±0.25 4 PLC ±0.25 ANGLES ±3°		PRODUCT SPEC 108-115109-2		
MATERIAL SEE DRAWING		FINISH -	APPLICATION SPEC 501-115141-2	RESTRICTED TO -
CUSTOMER DRAWING		SCALE 1:1	WEIGHT -	SHEET 1 OF 4
		SIZE A3	CAGE CODE -	REV B1

THIS DRAWING IS UNPUBLISHED. RELEASED FOR PUBLICATION 20
COPYRIGHT 20 BY - ALL RIGHTS RESERVED.

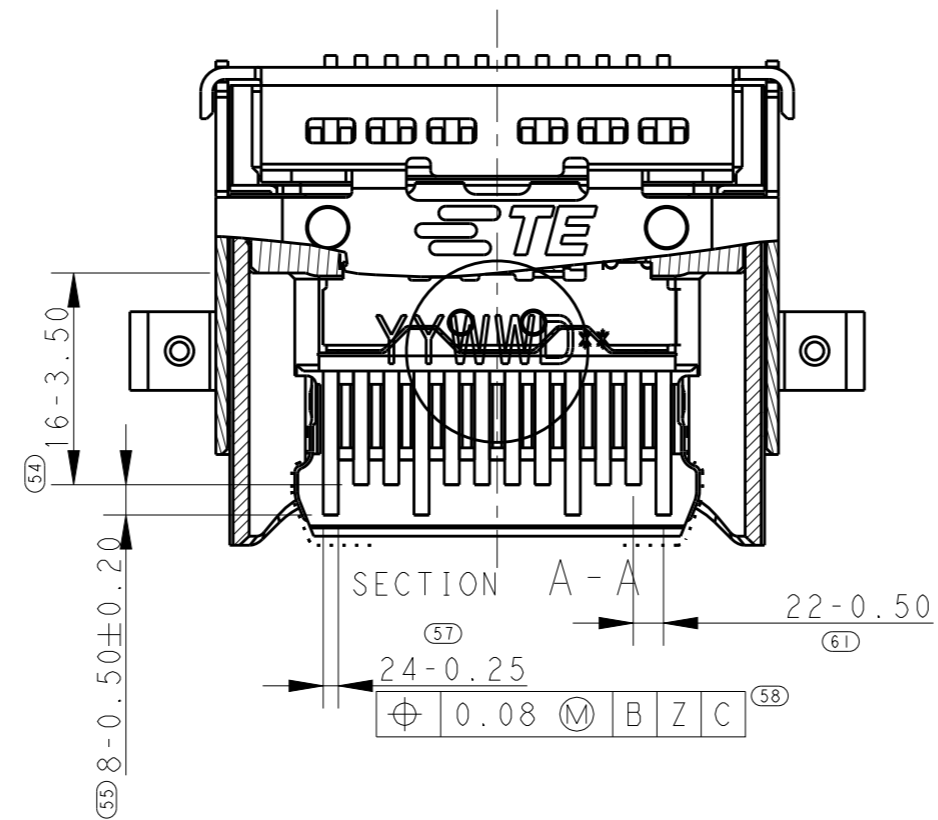
REVISIONS

P	LTR	DESCRIPTION	DATE	DWN	APVD
-	-	SEE SHEET 1	-	-	-

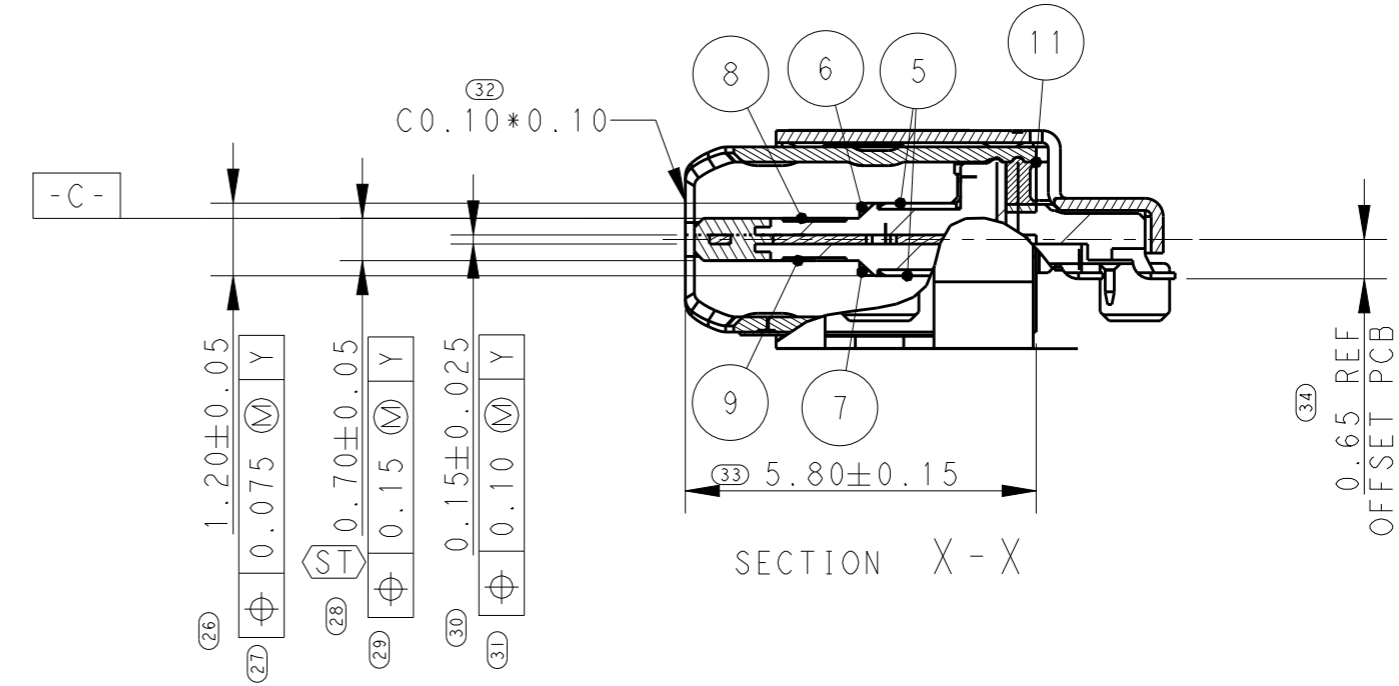
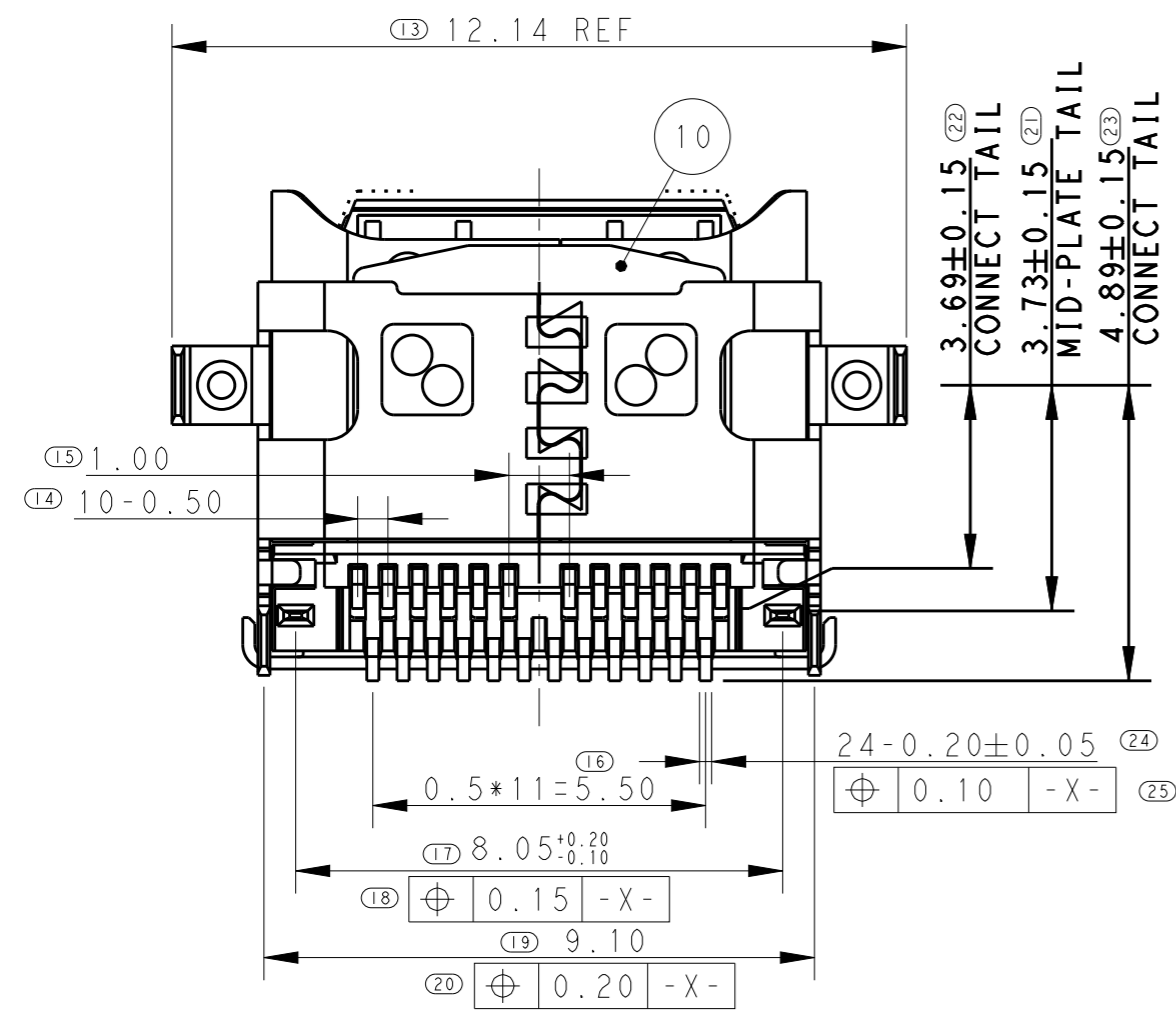
SHOWN AS; 2295018-2



SECTION Y - Y



SECTION A - A



SECTION X - X

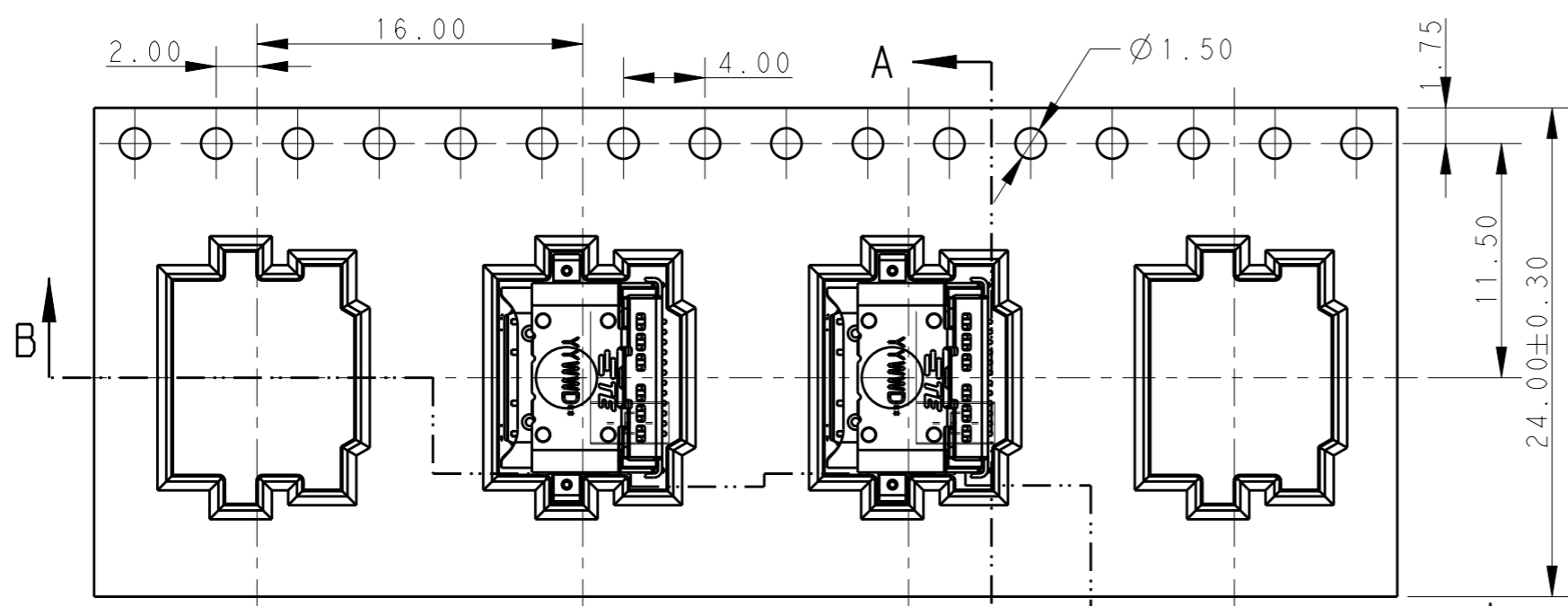
THIS DRAWING IS A CONTROLLED DOCUMENT.		DWN S.ZH 18AUG2015	STE TE Connectivity
DIMENSIONS: mm		CHK H.WU 18AUG2015	
TOLERANCES UNLESS OTHERWISE SPECIFIED:		APVD H.WU 18AUG2015	NAME USB C, RECEPTACLE, DUAL ROW SMT, OFFSET 0.65MM
0 PLC ±0.25		PRODUCT SPEC 108-115109-2	SIZE A3
1 PLC ±0.25		APPLICATION SPEC 501-115141-2	CAGE CODE -
2 PLC ±0.25		WEIGHT -	DRAWING NO C-2295018
3 PLC ±0.25		CUSTOMER DRAWING	RESTRICTED TO -
4 PLC ±0.25		SCALE 1:1	SHEET 2 OF 4
ANGLES ±3°			REV B1
FINISH -			
MATERIAL SEE DRAWING			

THIS DRAWING IS UNPUBLISHED. RELEASED FOR PUBLICATION 20
 © COPYRIGHT 20 BY - ALL RIGHTS RESERVED.

REVISIONS					
P	LTR	DESCRIPTION	DATE	DWN	APVD
-	-	SEE SHEET 1	-	-	-

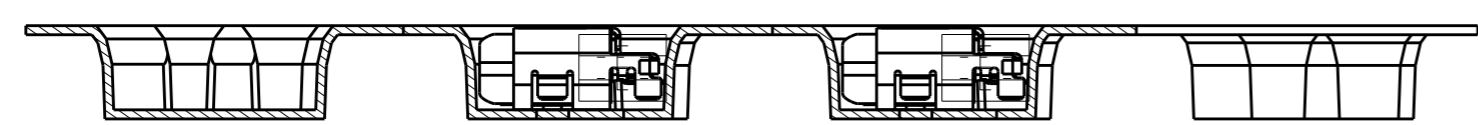
SHOWN AS; 2295018-2, 1-2295018-2

CUSTOMER FEED DIRECTION →

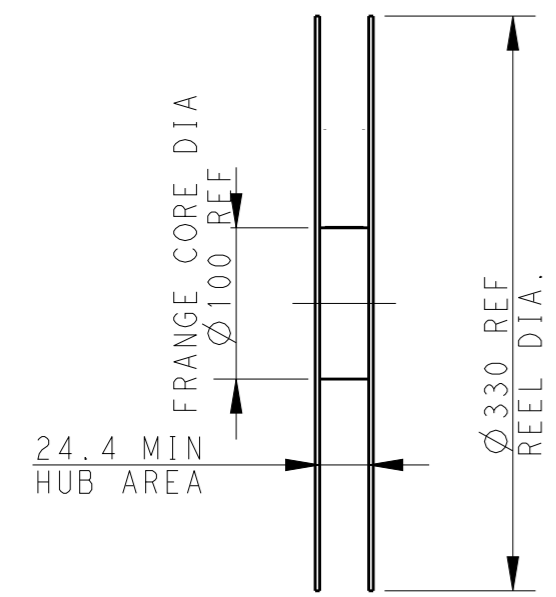


SCALE 3:1

SECTION A-A




SECTION B-B



USER PULL OUT DIRECTION →

WITHOUT CHARGE 15PCS REF WITH PRODUCT CHARGE 900PCS WITHOUT CHARGE 10PCS REF

THIS DRAWING IS A CONTROLLED DOCUMENT.		DWN S.ZH 18AUG2015	 TE Connectivity	NAME			
DIMENSIONS: mm		CHK H.WU 18AUG2015		USB C, RECEPTACLE, DUAL ROW SMT, OFFSET 0.65MM			
TOLERANCES UNLESS OTHERWISE SPECIFIED:		APVD H.WU 18AUG2015		-			
0 PLC ±0.25 1 PLC ±0.25 2 PLC ±0.25 3 PLC ±0.25 4 PLC ±0.25 ANGLES ±3°		PRODUCT SPEC 108-115109-2		SIZE A3	CAGE CODE -	DRAWING NO C-2295018	RESTRICTED TO -
MATERIAL SEE DRAWING		APPLICATION SPEC 501-115141-2	WEIGHT -	SCALE 1:1		SHEET 4 OF 4	REV B1
-		FINISH -	CUSTOMER DRAWING				