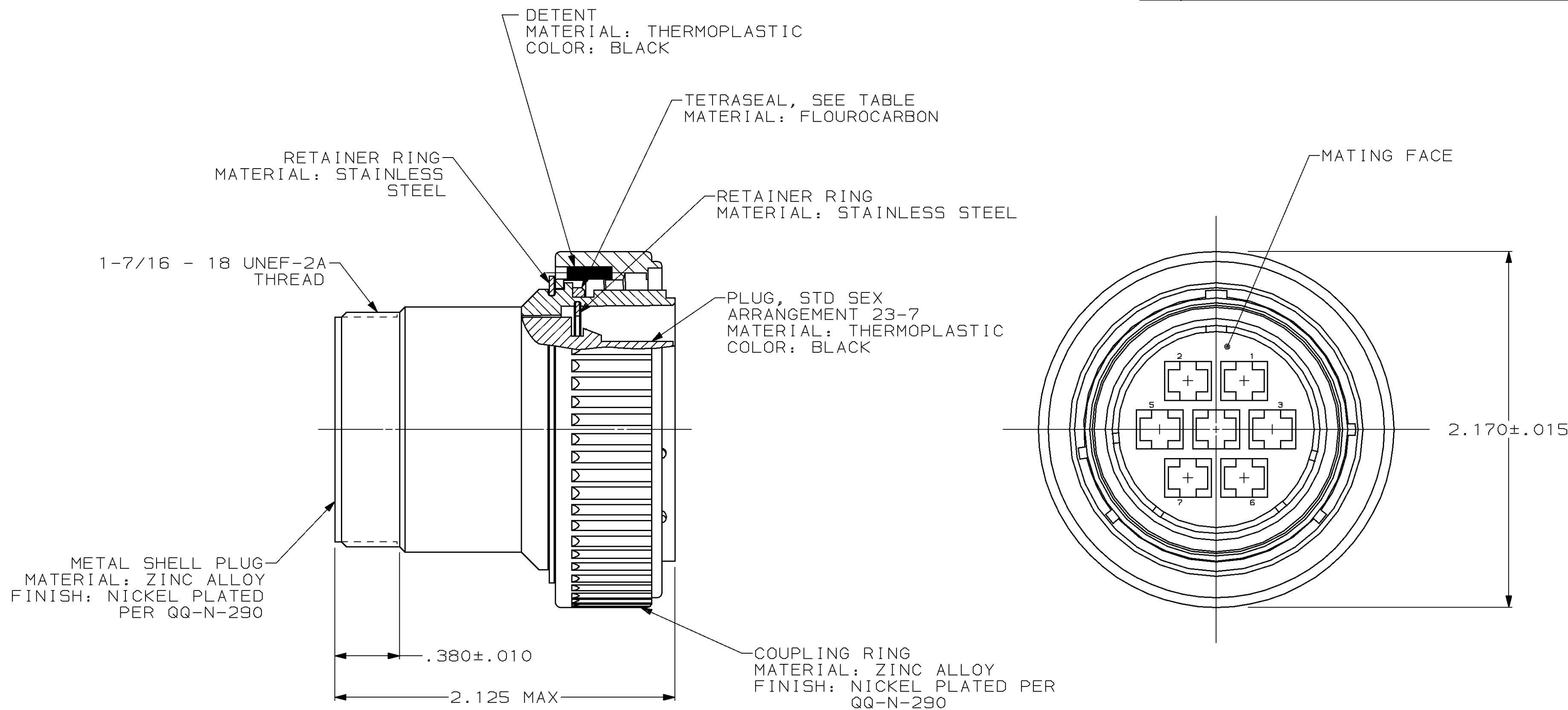


LOC	DIST	P	F	ZONE	LTR	DESCRIPTION	DATE	APPD
BD	35				N	REDRAWN	6-26-91	-
					P	REV PER ECN BD5454	05/26/92	KB
					R	OBS -3 PER EC 0020-0136-95	17 JUL 95	AF



- 208482-1 MATES WITH AMP RECEPTACLE 208483-1 OR -2. 208482-3 MATES WITH AMP RECEPTACLE 208483-1 ONLY.
- AMP PART NUMBER AND DATE CODE TO BE LOCATED ON COUPLING RING.

OBSOLETE	YES	208482-3
	NO	208482-1
	TETRASEAL	PART NUMBER

DO NOT SCALE PRINT. UNLESS SPECIFIED DIMENSIONS IN INCHES TOLERANCES ON :	DR 6-26-91 R.LEE BG	AMP Incorporated Harrisburg, PA 17105-3608		
2 PLC DEC ± -	CHK 4-20-92 W.G.LENKER			
3 PLC DEC ± -	APPD 4-20-92 K.BEAVER	NAME  PLUG ASSEMBLY, STD SEX, SERIES 3, 28-7, CMC		
ANGLES ± -	APPD 4-20-92 C.ROHDE			
MATERIAL	PRODUCT SPEC 108-10040	SIZE	CAGE CODE	DRAWING NO
SEE CALLOUT	APPLICATION SPEC	©	00779	208482
FINISH	WEIGHT -	SCALE	2:1	SHEET 1 OF 1
SEE CALLOUT				