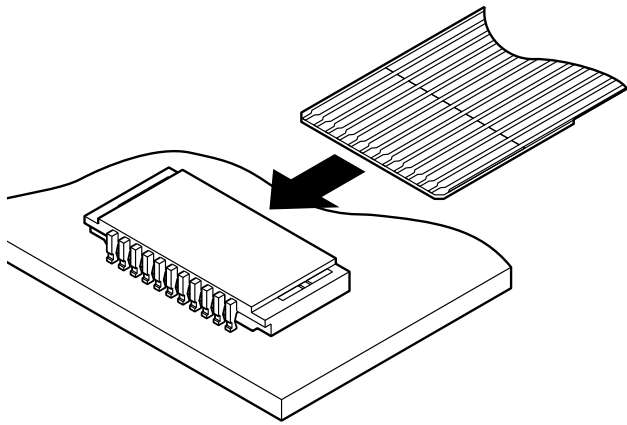




FHJ CONNECTOR

0.5 mm pitch/Connectors for PC board/For FPC



Non-ZIF type low profile of 1.2 mm mounting height. 0.3 mm thick standard type FPC is applicable.

- Compact mounting space
- Heat resisting design suitable for surface mounting

Specifications

- Current rating: 0.5 A AC/DC
- Voltage rating: 50 V AC/DC
- Temperature range: -25°C to $+85^{\circ}\text{C}$
(including temperature rise in applying electrical current)
- Contact resistance: Initial value/ 40 m Ω max.
After environmental tests/ 20 m Ω max.
(variation from initial value)
- Insulation resistance: 500 M Ω min.
- Withstanding voltage: 200 VAC/minute
- Applicable FPC: Conductor pitch/ 0.5 mm
Conductor width/ 0.35 mm
Mating part thickness/ 0.3 ± 0.05 mm

Note: FPC to be actually used should be checked for applicability.

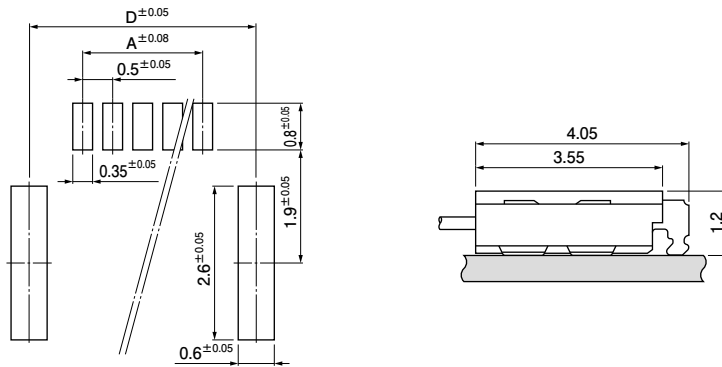
* In using the products, refer to "Handling Precautions for Terminals and Connectors" described on our website (Technical documents of Product information page).

- * RoHS2 compliance
- * Dimensional unit: mm
- * Contact JST for details.

Standards

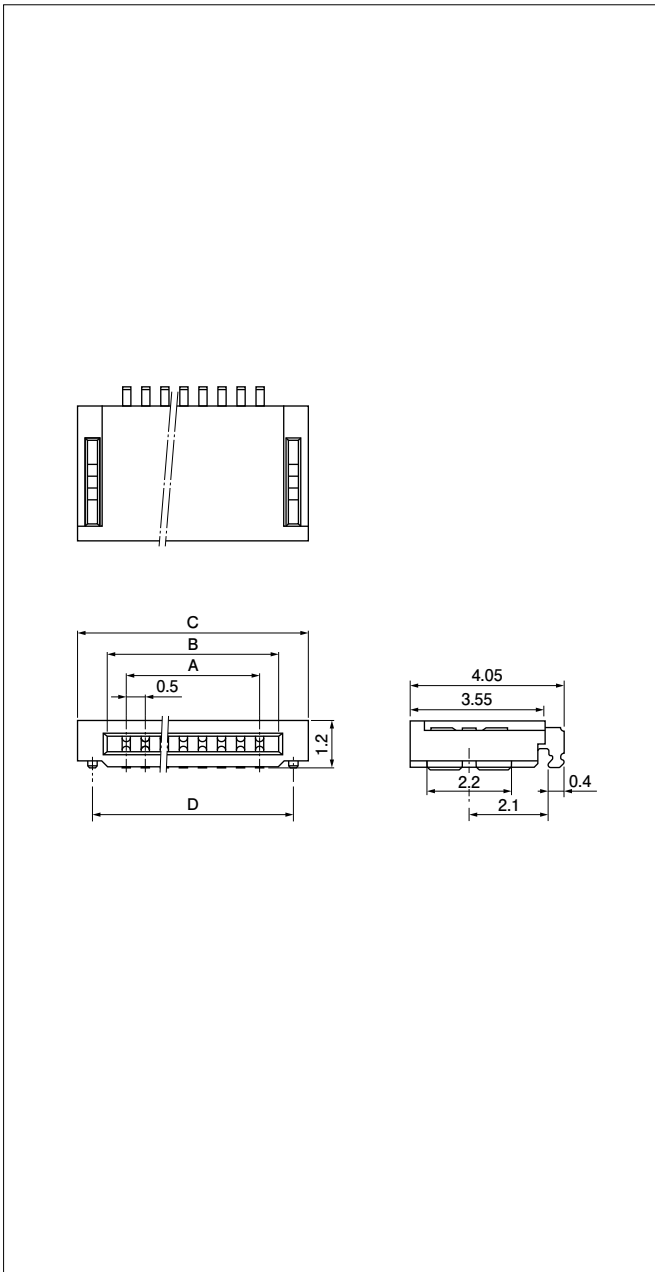
Recognized E60389

PC board layout and Assembly layout



- Note: 1. The above figure is the figure viewed from the connector mounting side.
2. Tolerances are non-cumulative: ± 0.08 mm for all centers.
3. The dimensions above should serve as a guide line. Contact JST for details.

Connector



Gold-plated product

No. of circuits	Model No.	Dimensions (mm)				Q'ty/reel
		A	B	C	D	
4	04FHJ-SM1-GAN-TB	1.5	2.5	4.1	3.3	4,000
5	05FHJ-SM1-GAN-TB	2.0	3.0	4.6	3.8	4,000
6	06FHJ-SM1-GAN-TB	2.5	3.5	5.1	4.3	4,000
7	07FHJ-SM1-GAN-TB	3.0	4.0	5.6	4.8	4,000
8	08FHJ-SM1-GAN-TB	3.5	4.5	6.1	5.3	4,000
9	09FHJ-SM1-GAN-TB	4.0	5.0	6.6	5.8	4,000
10	10FHJ-SM1-GAN-TB	4.5	5.5	7.1	6.3	4,000
11	11FHJ-SM1-GAN-TB	5.0	6.0	7.6	6.8	4,000
12	12FHJ-SM1-GAN-TB	5.5	6.5	8.1	7.3	4,000
13	13FHJ-SM1-GAN-TB	6.0	7.0	8.6	7.8	4,000
14	14FHJ-SM1-GAN-TB	6.5	7.5	9.1	8.3	4,000
16	16FHJ-SM1-GAN-TB	7.5	8.5	10.1	9.3	4,000
18	18FHJ-SM1-GAN-TB	8.5	9.5	11.1	10.3	4,000
20	20FHJ-SM1-GAN-TB	9.5	10.5	12.1	11.3	4,000
21	21FHJ-SM1-GAN-TB	10.0	11.0	12.6	11.8	4,000
24	24FHJ-SM1-GAN-TB	11.5	12.5	14.1	13.3	4,000

Material and Finish

Contact: Copper alloy, nickel-undercoated, gold-plated (nickel-stripe)
 Housing: Heat resisting resin, UL94V-0, natural
 Reinforcement: Copper alloy, copper-undercoated, tin-plated (reflow treatment)

RoHS2 compliance This product displays (LF)(SN) on a label.

Tin-plated product

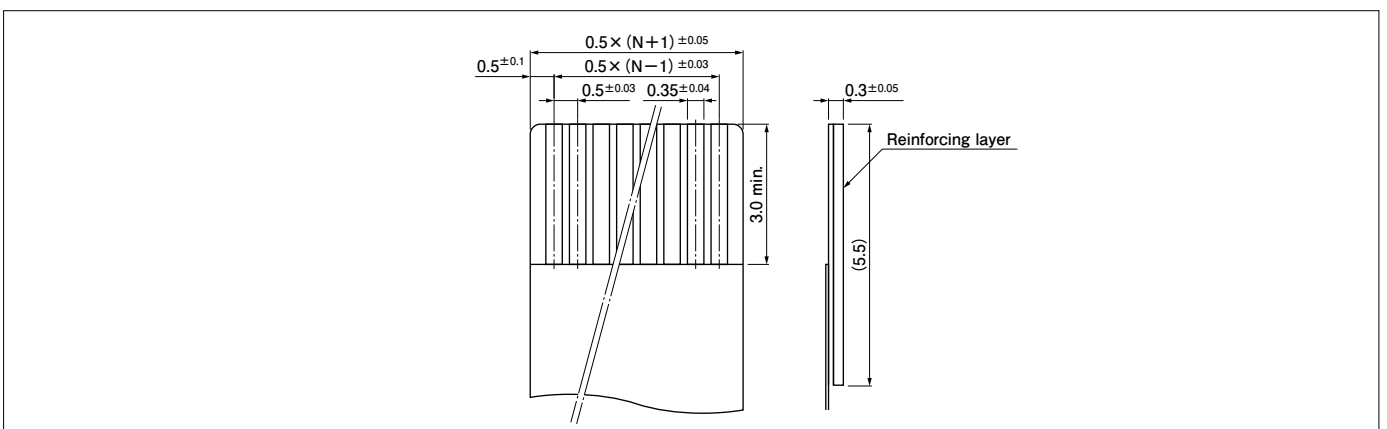
No. of circuits	Model No.	Dimensions (mm)				Q'ty/reel
		A	B	C	D	
4	04FHJ-SM1-TB	1.5	2.5	4.1	3.3	4,000
5	05FHJ-SM1-TB	2.0	3.0	4.6	3.8	4,000
6	06FHJ-SM1-TB	2.5	3.5	5.1	4.3	4,000
7	07FHJ-SM1-TB	3.0	4.0	5.6	4.8	4,000
8	08FHJ-SM1-TB	3.5	4.5	6.1	5.3	4,000
9	09FHJ-SM1-TB	4.0	5.0	6.6	5.8	4,000
10	10FHJ-SM1-TB	4.5	5.5	7.1	6.3	4,000
11	11FHJ-SM1-TB	5.0	6.0	7.6	6.8	4,000
12	12FHJ-SM1-TB	5.5	6.5	8.1	7.3	4,000
13	13FHJ-SM1-TB	6.0	7.0	8.6	7.8	4,000
14	14FHJ-SM1-TB	6.5	7.5	9.1	8.3	4,000
16	16FHJ-SM1-TB	7.5	8.5	10.1	9.3	4,000
18	18FHJ-SM1-TB	8.5	9.5	11.1	10.3	4,000
20	20FHJ-SM1-TB	9.5	10.5	12.1	11.3	4,000
21	21FHJ-SM1-TB	10.0	11.0	12.6	11.8	4,000
24	24FHJ-SM1-TB	11.5	12.5	14.1	13.3	4,000

Material and Finish

Contact: Copper alloy, copper-undercoated, tin-plated (reflow treatment)
 Housing: LCP, UL94V-0
 Solder tab: Copper alloy, copper-undercoated, tin-plated (reflow treatment)

RoHS2 compliance This product displays (LF)(SN) on a label.

Lead section dimensions of FPC



Note: N --- Number of circuits