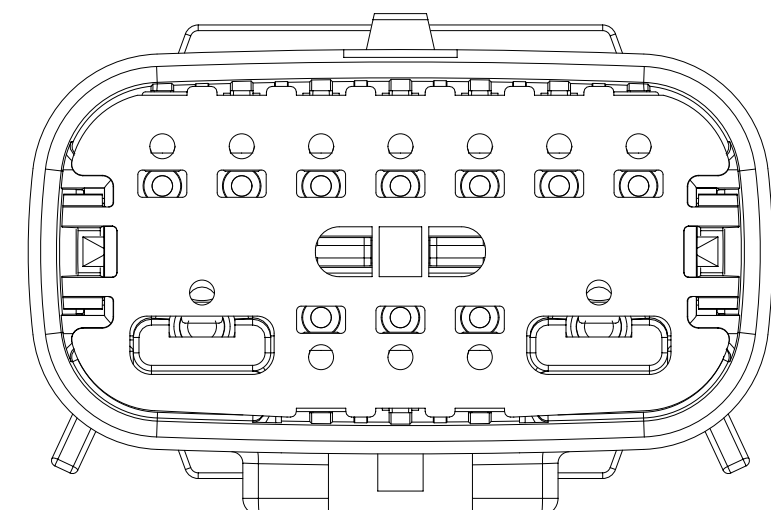


SHEET DESCRIPTION

CONFIGURATIONS



12W HYBRID

FUNCTIONAL SYMBOLS	THIS DRAWING CONTAINS INFORMATION THAT IS PROPRIETARY TO MOLEX ELECTRONIC TECHNOLOGIES, LLC AND SHOULD NOT BE USED WITHOUT WRITTEN PERMISSION		
	DIMENSION UNITS	SCALE	CURRENT REV DESC: SEE REVISION TABLE
$\nabla_A = 0$	mm	2:1	<p>EC NO: 677478</p> <p>DRWN: SCV 2021/09/13</p> <p>CHK'D: GGA 2021/09/22</p> <p>APPR: GGA 2021/09/22</p> <p>INITIAL REVISION:</p> <p>DRWN: ADING03 2017/03/28</p> <p>APPR: JDENG02 2017/04/07</p>
$\nabla_C = 0$	GENERAL TOLERANCES (UNLESS SPECIFIED)		
$\nabla_D = 0$	ANGULAR TOL ± °		
DIVISIONAL SYMBOLS	4 PLACES ±		
	3 PLACES ±		PRODUCT CUSTOMER DRAWING
	2 PLACES ±		DOCUMENT NUMBER
	1 PLACE ±		1601120000
	0 PLACES ±		PSD 000 D5
	DRAFT WHERE APPLICABLE MUST REMAIN WITHIN DIMENSIONS	THIRD ANGLE PROJECTION	MATERIAL NUMBER
			160112
		DRAWING	CUSTOMER
		D-SIZE	CHARTED
		SERIES	SHEET NUMBER
			2 OF 6

molex

MX150 HYBRID MAT SEAL BLD CONN ASM SALES

PRODUCT CUSTOMER DRAWING

1601120000

PSD 000 D5

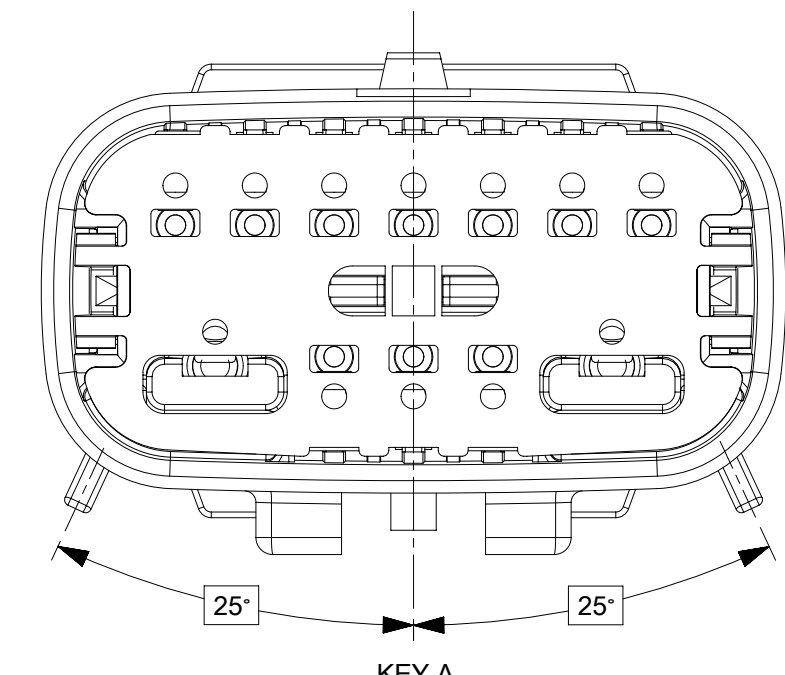
CHARTED

2 OF 6

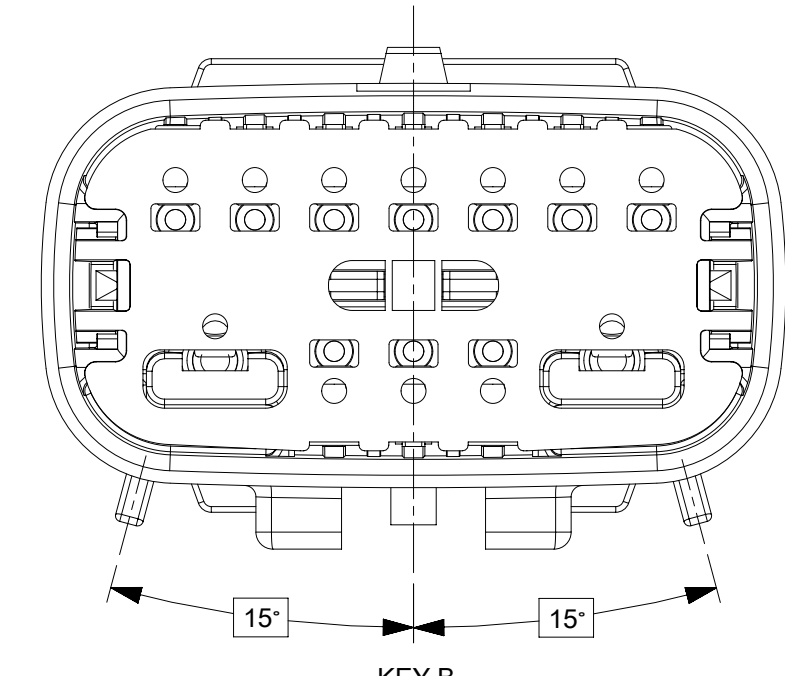
SEE NOTES

SHEET DESCRIPTION
KEY CONFIGURATIONS

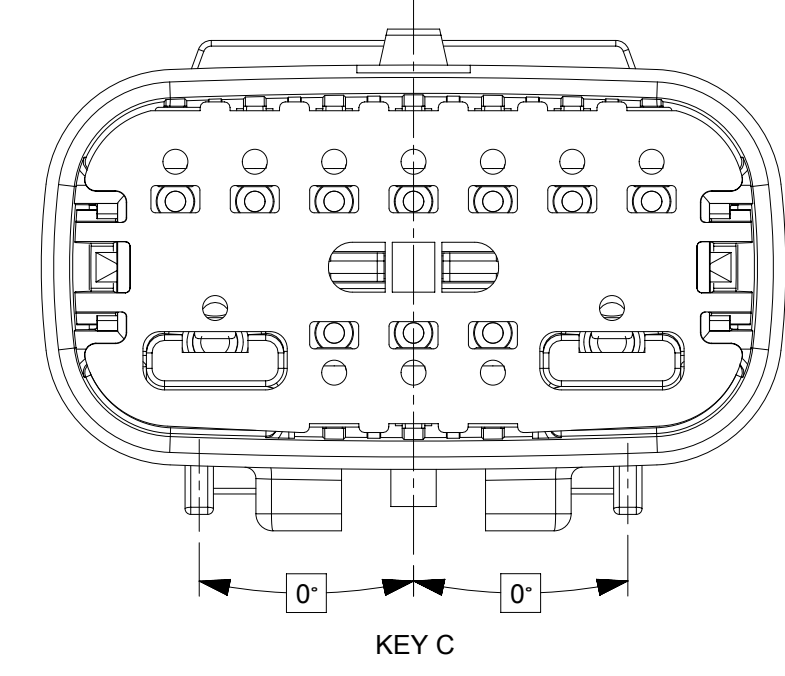
12W HYBRID



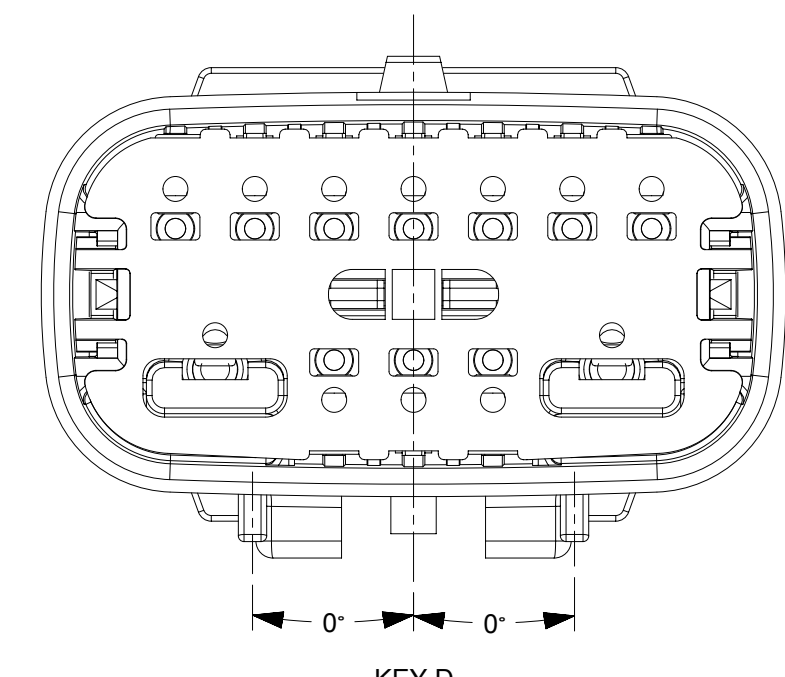
KEY A



KEY B



KEY C

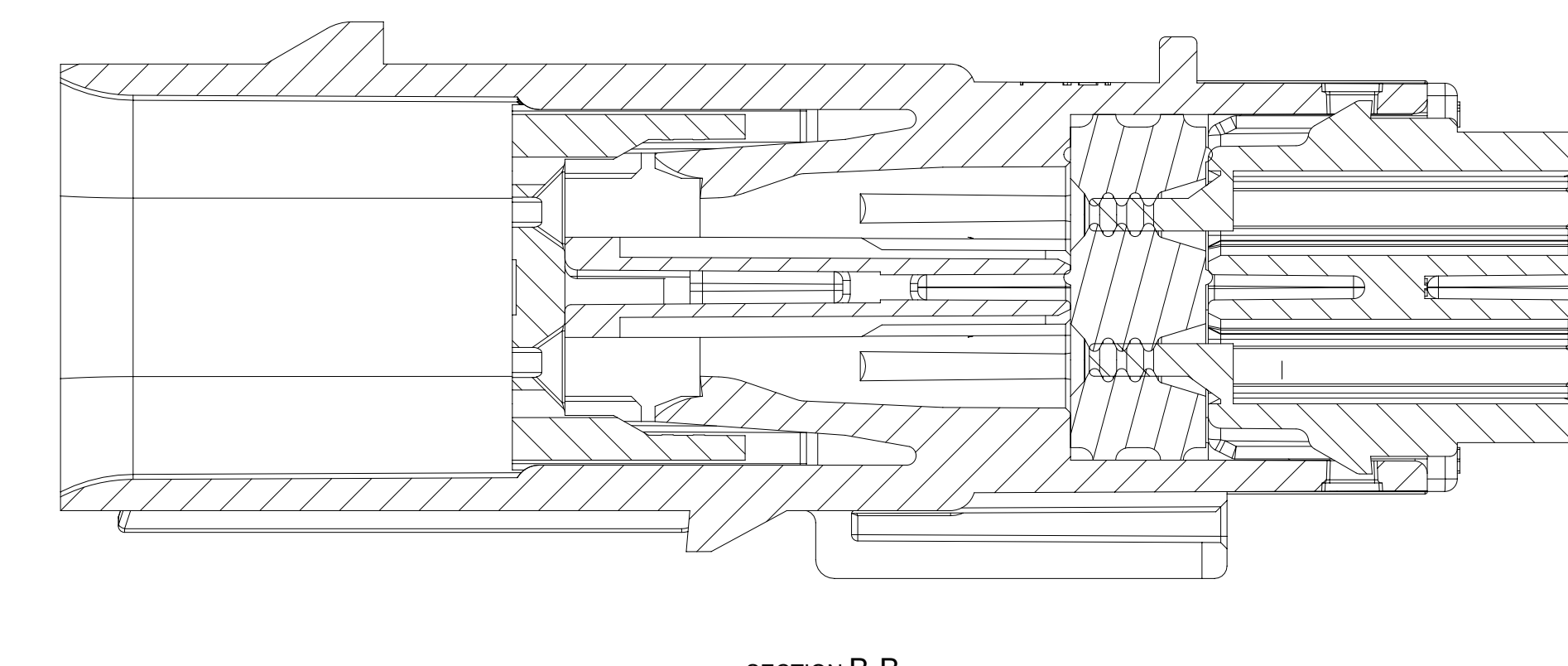
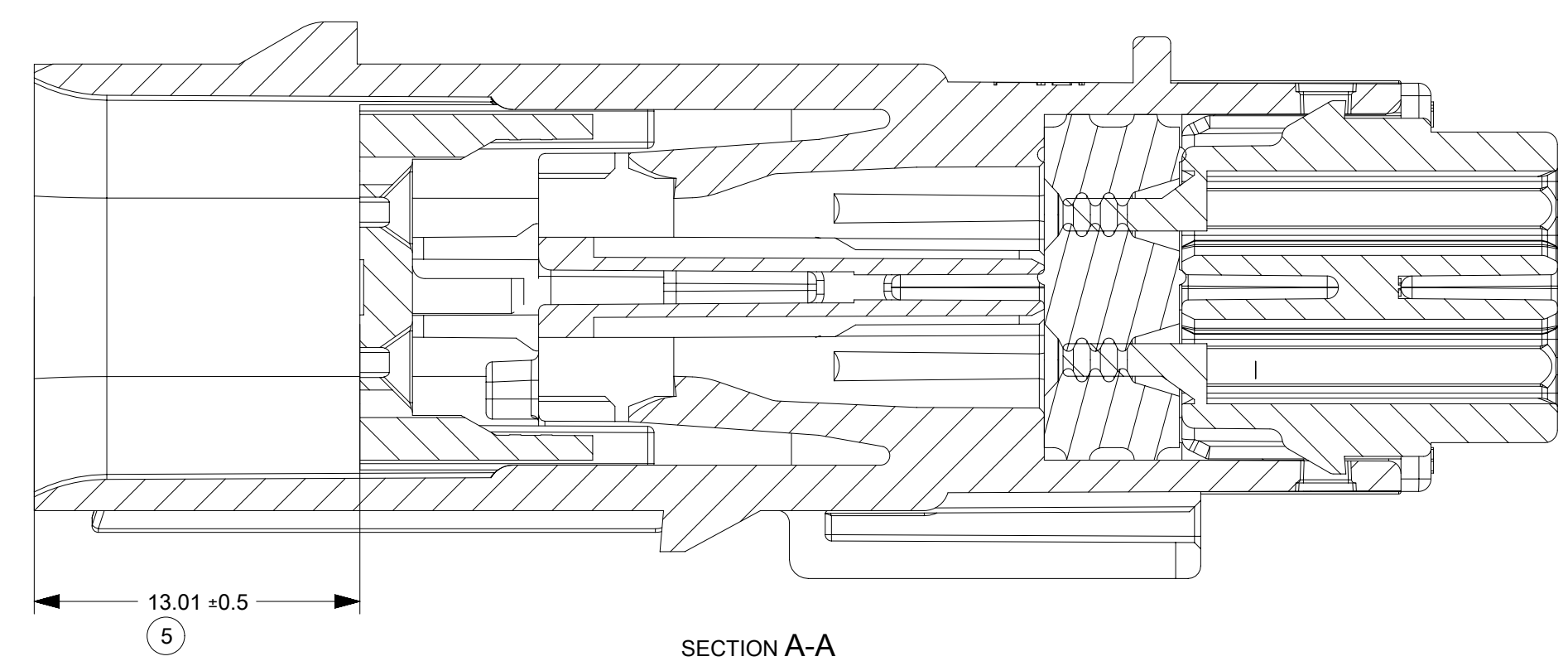
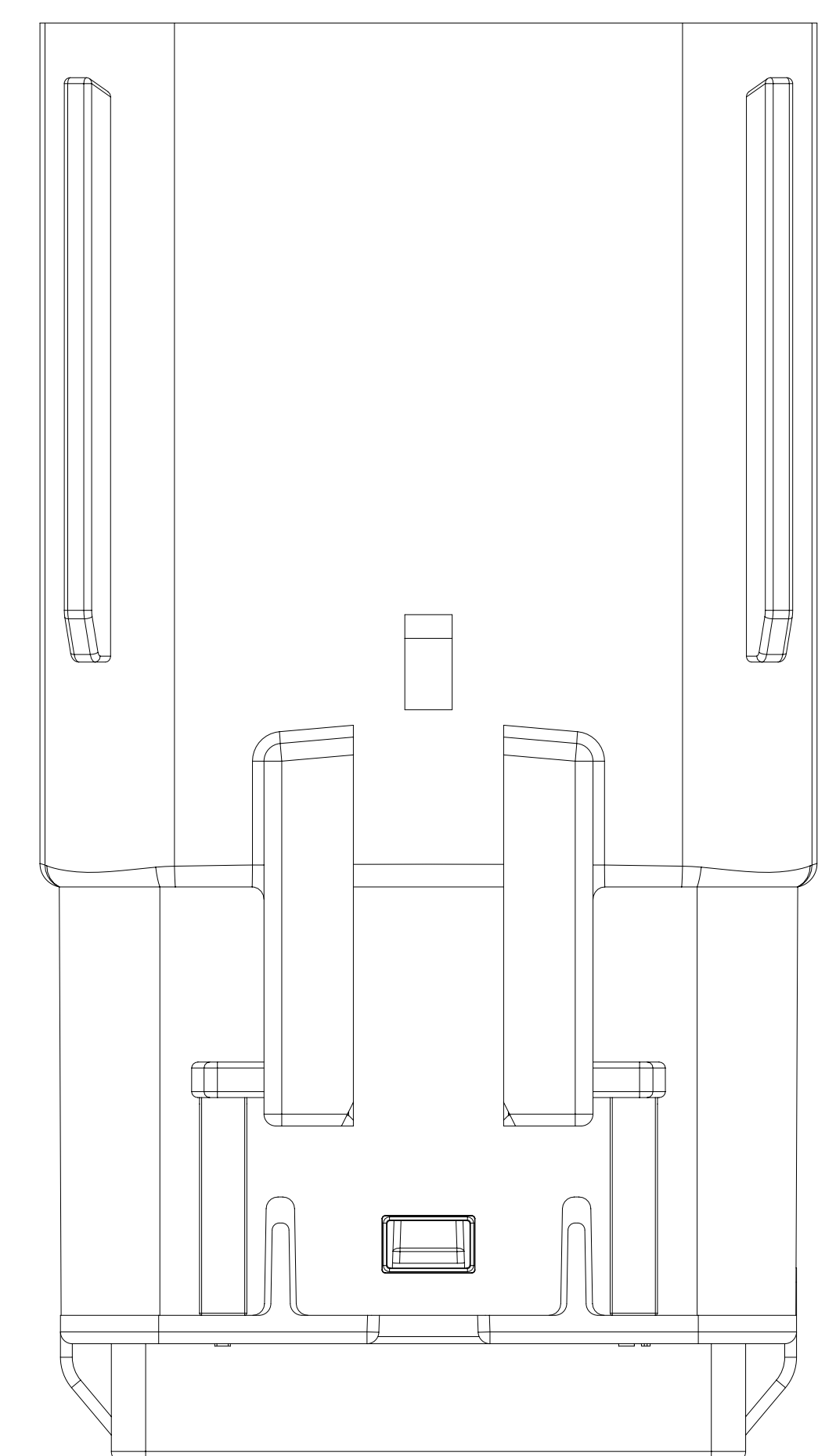
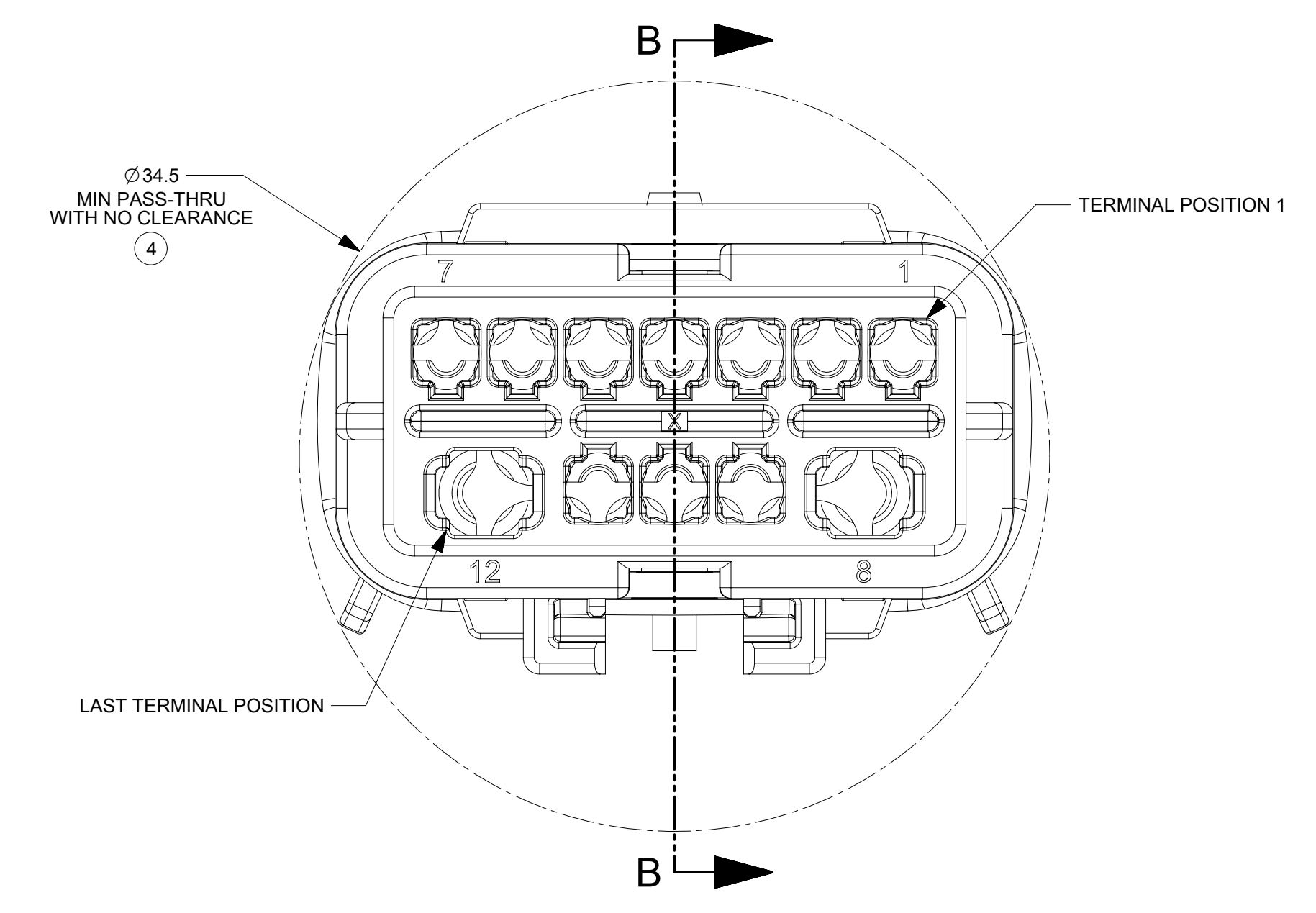
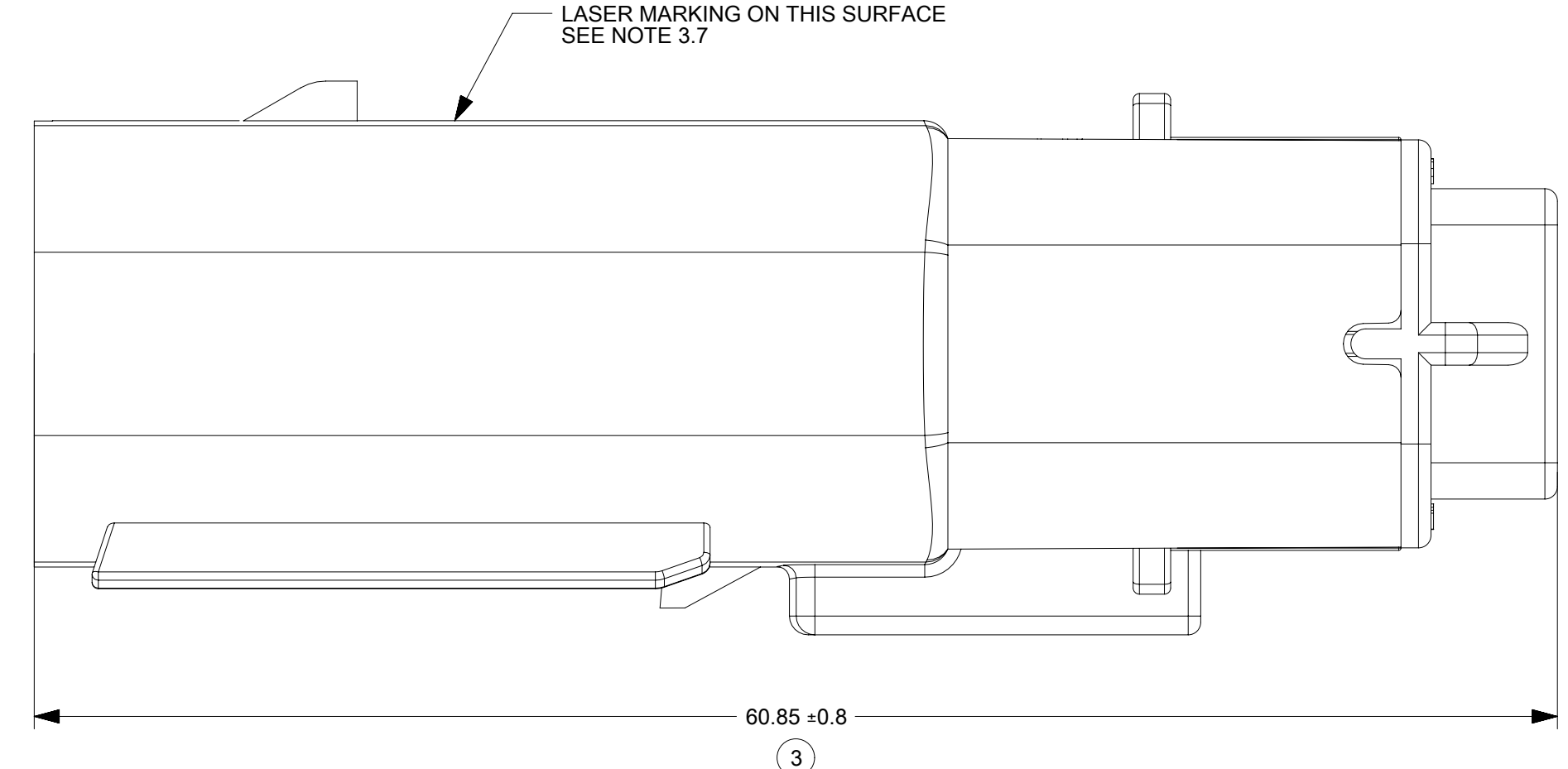
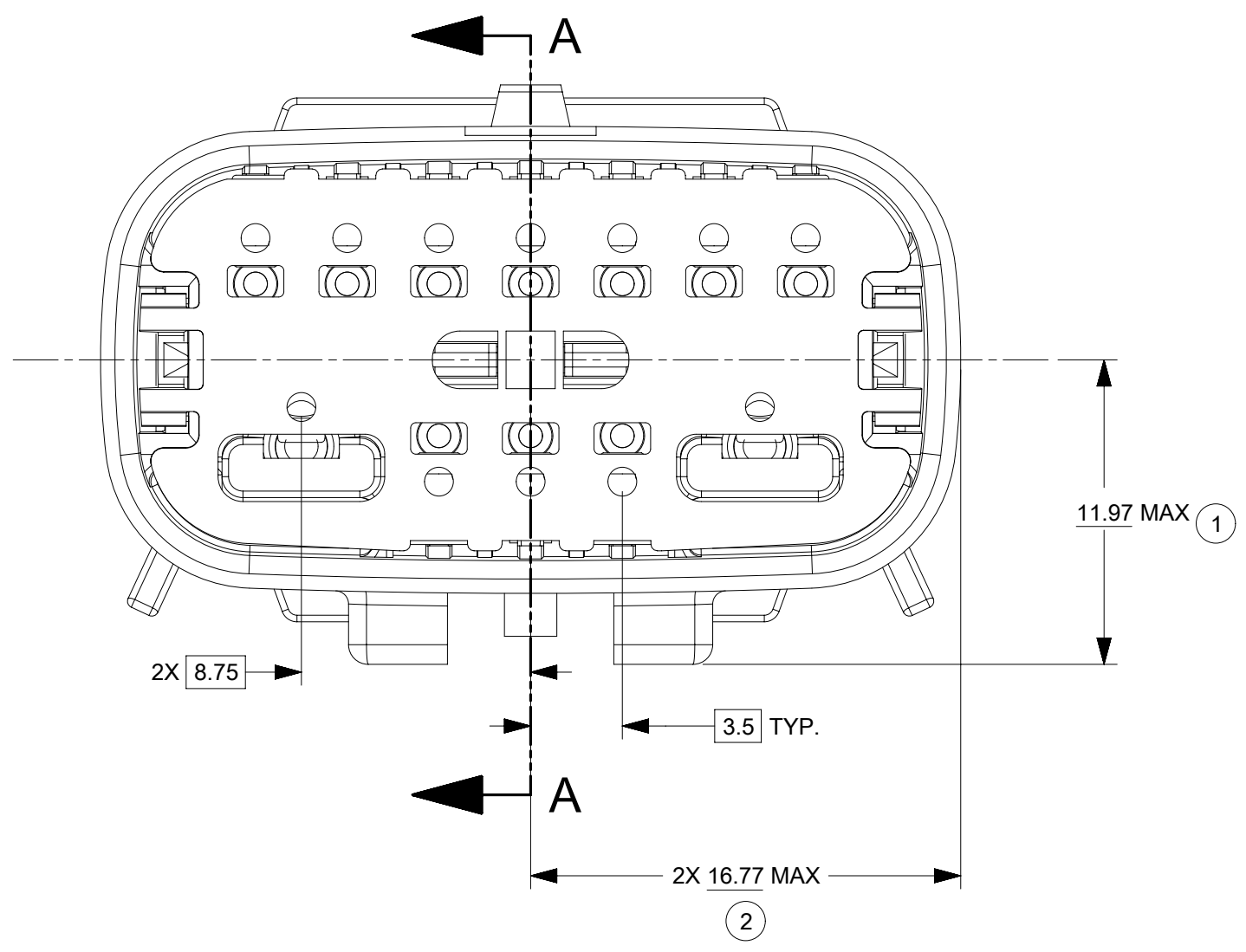


KEY D

FUNCTIONAL SYMBOLS	THIS DRAWING CONTAINS INFORMATION THAT IS PROPRIETARY TO MOLEX ELECTRONIC TECHNOLOGIES, LLC AND SHOULD NOT BE USED WITHOUT WRITTEN PERMISSION												
FA = 0	DIMENSION UNITS		SCALE	CURRENT REV DESC: SEE REVISION TABLE									
FC = 0	mm		3:1										
FD = 0	GENERAL TOLERANCES (UNLESS SPECIFIED)										EC NO: 677478 DRWN: SCV 2021/09/13 CHK'D: GGA 2021/09/22 APPR: GGA 2021/09/22		
DIVISIONAL SYMBOLS	ANGULAR TOL ± °												
	4 PLACES	±									INITIAL REVISION: DRWN: ADING03 2017/03/28 APPR: JDENG02 2017/04/07		
	3 PLACES	±											
	2 PLACES	±									DOCUMENT NUMBER 1601120000		
	1 PLACE	±											
	0 PLACES	±									DOC TYPE	DOC PART	REVISION
	DRAFT WHERE APPLICABLE MUST REMAIN WITHIN DIMENSIONS										PSD	000	D5
	THIRD ANGLE PROJECTION	DRAWING	SERIES	MATERIAL NUMBER	CUSTOMER	SHEET NUMBER							
		D-SIZE	160112	CHARTED		3 OF 6							

DOCUMENT STATUS	P1	RELEASE DATE	2021/09/22	16:31:12
-----------------	----	--------------	------------	----------

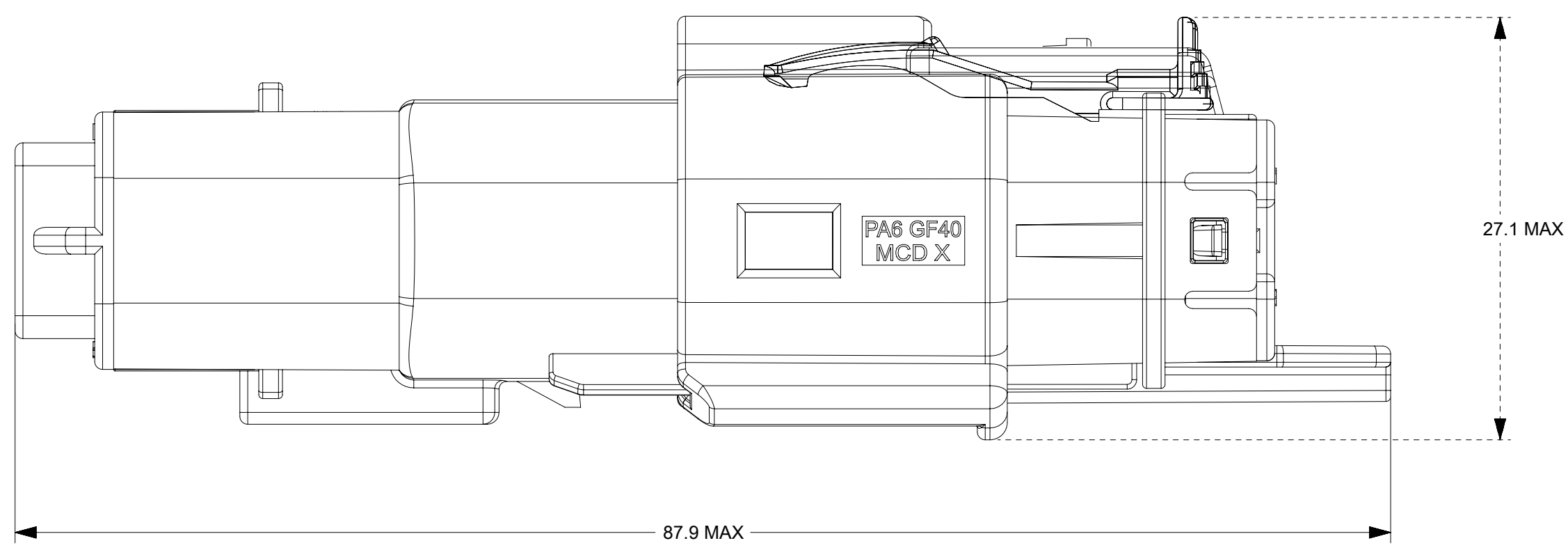
SHEET DESCRIPTION
BLADE CONNECTOR ASSEMBLY



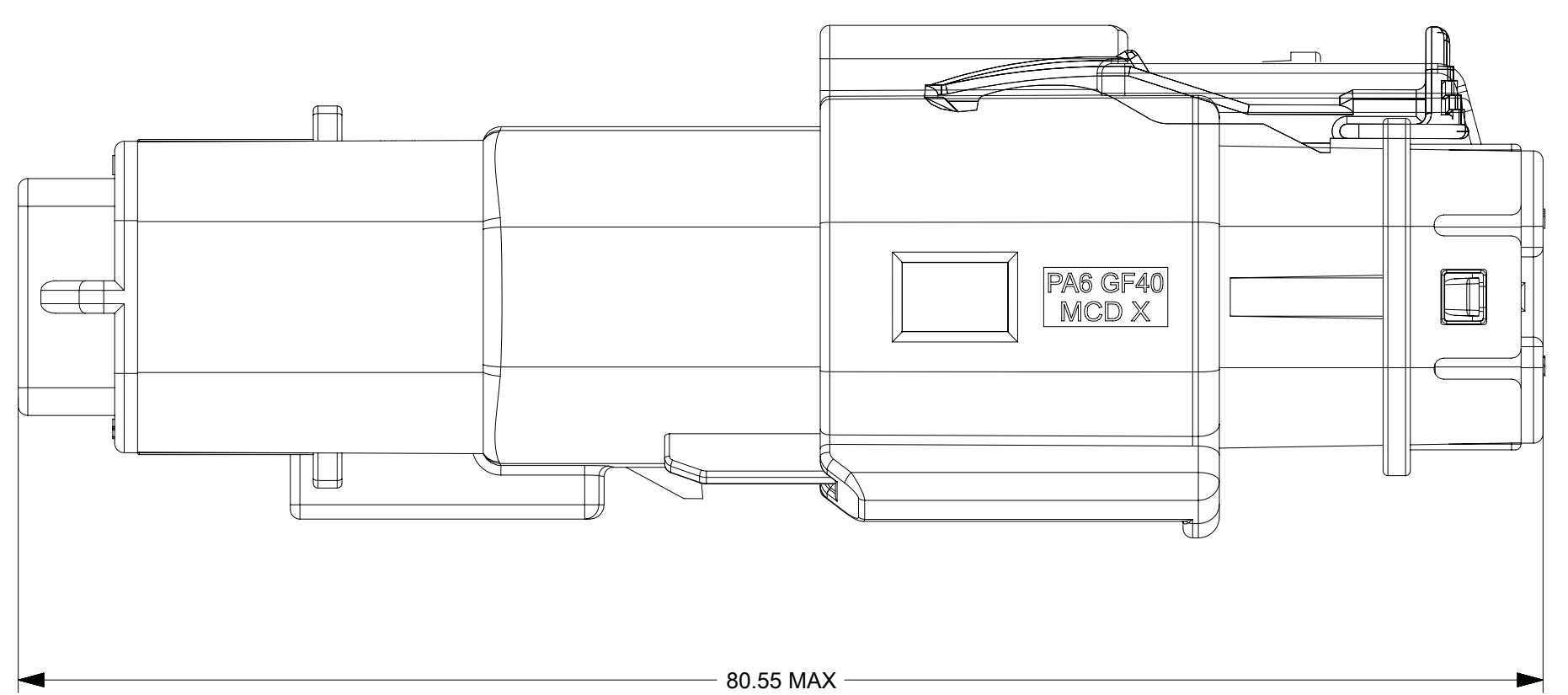
FUNCTIONAL SYMBOLS	THIS DRAWING CONTAINS INFORMATION THAT IS PROPRIETARY TO MOLEX ELECTRONIC TECHNOLOGIES, LLC AND SHOULD NOT BE USED WITHOUT WRITTEN PERMISSION		CURRENT REV DESC: SEE REVISION TABLE	
	DIMENSION UNITS	SCALE		
FA = 0	mm	4:1		
DIVISIONAL SYMBOLS	GENERAL TOLERANCES (UNLESS SPECIFIED)			
	ANGULAR TOL	± °		
SEE NOTES	4 PLACES	±	EC NO: 677478	
	3 PLACES	±	DRWN: SCV	2021/09/13
	2 PLACES	±	CHK'D: GGA	2021/09/22
	1 PLACE	±	APPR: GGA	2021/09/22
0 PLACES	±	INITIAL REVISION:		
DRAFT WHERE APPLICABLE MUST REMAIN WITHIN DIMENSIONS		THIRD ANGLE PROJECTION	DRAWING	SERIES
		⊕	D-SIZE	160112
			MATERIAL NUMBER	CUSTOMER
			1601120000	CHARTED
			DOCUMENT NUMBER	DOC TYPE DOC PART REVISION
			PSD 000 D5	
			SHEET NUMBER	
			4 OF 6	

DOCUMENT STATUS	P1	RELEASE DATE	2021/09/22	16:31:12
-----------------	----	--------------	------------	----------

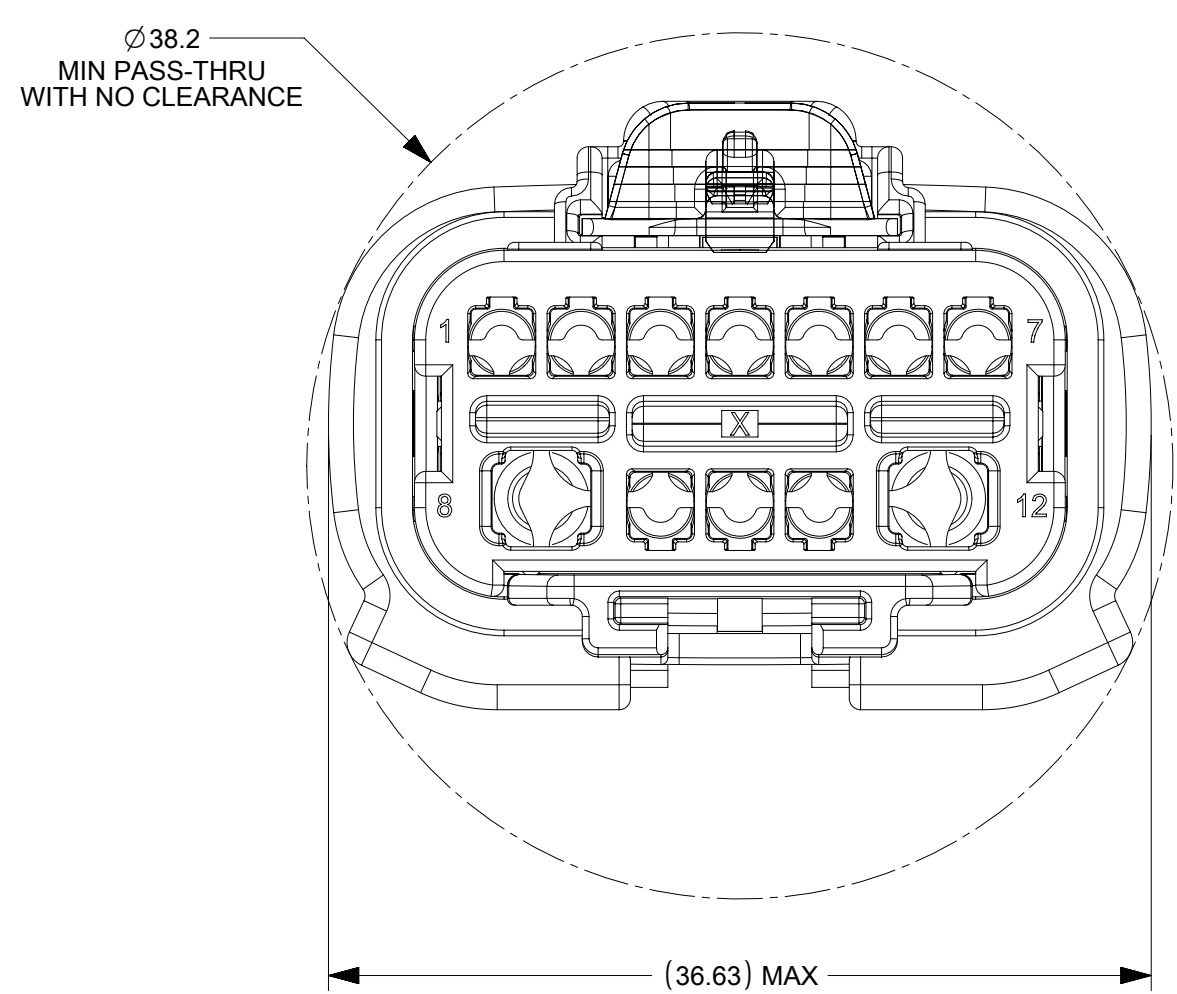
SHEET DESCRIPTION
SYSTEM PACKAGING



WITH EXTENDED CLIPSLOT RECEPTACLE HOUSING



NON CLIPSLOT RECEPTACLE HOUSING



FUNCTIONAL SYMBOLS	THIS DRAWING CONTAINS INFORMATION THAT IS PROPRIETARY TO MOLEX ELECTRONIC TECHNOLOGIES, LLC AND SHOULD NOT BE USED WITHOUT WRITTEN PERMISSION	CURRENT REV DESC: SEE REVISION TABLE	
$\nabla_A = 0$ $\nabla_C = 0$ $\nabla_D = 0$	DIMENSION UNITS: mm SCALE: 3:1 GENERAL TOLERANCES (UNLESS SPECIFIED) ANGULAR TOL: ± °	EC NO: 677478 DRWN: SCV 2021/09/13 CHK'D: GGA 2021/09/22 APPR: GGA 2021/09/22	
DIVISIONAL SYMBOLS	4 PLACES ± 3 PLACES ± 2 PLACES ± 1 PLACE ± 0 PLACES ±	INITIAL REVISION: DRWN: ADING03 2017/03/28 APPR: JDENG02 2017/04/07	PRODUCT CUSTOMER DRAWING
DRAFT WHERE APPLICABLE MUST REMAIN WITHIN DIMENSIONS	THIRD ANGLE PROJECTION	DRAWING: D-SIZE SERIES: 160112	DOCUMENT NUMBER: 1601120000 DOC TYPE: PSD DOC PART: 000 REVISION: D5
DOCUMENT STATUS: P1 RELEASE DATE: 2021/09/22 16:31:12	MATERIAL NUMBER: CHARTED CUSTOMER:	SHEET NUMBER: 5 OF 6	

