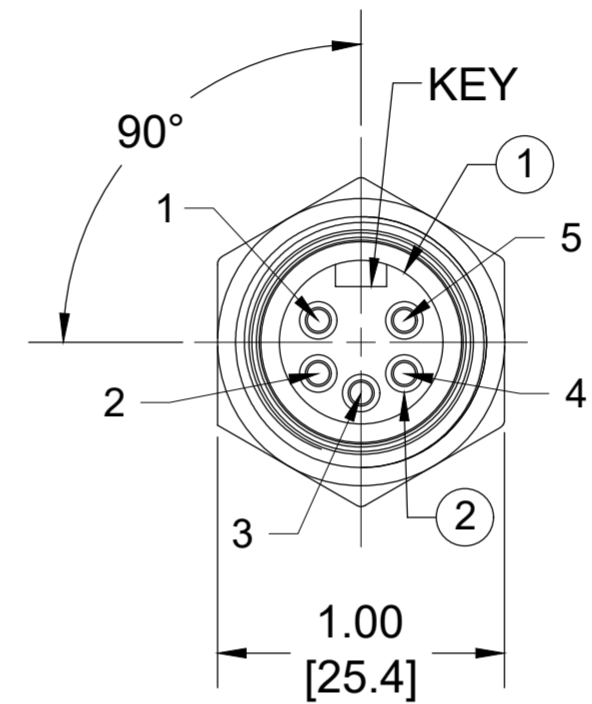
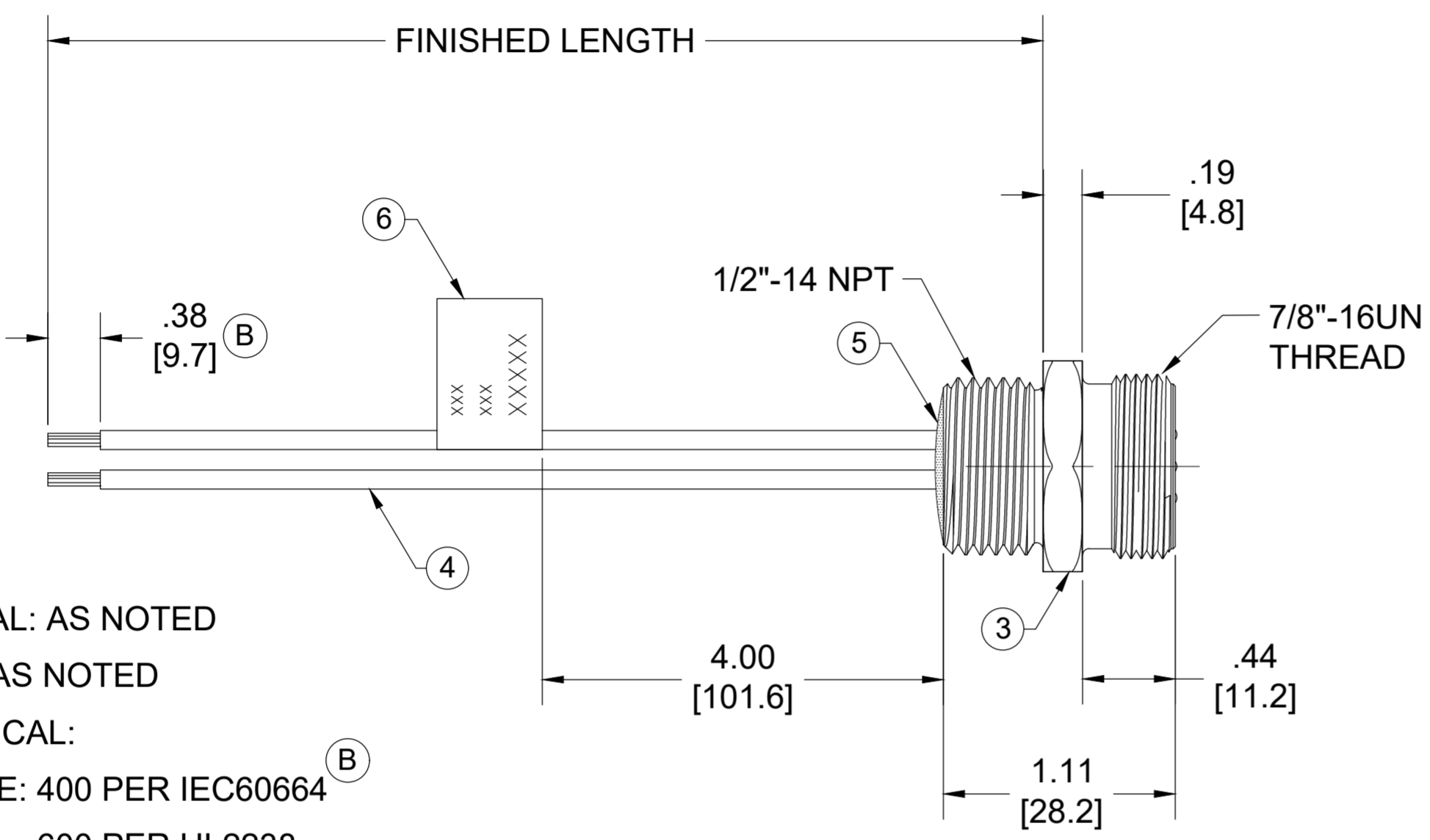
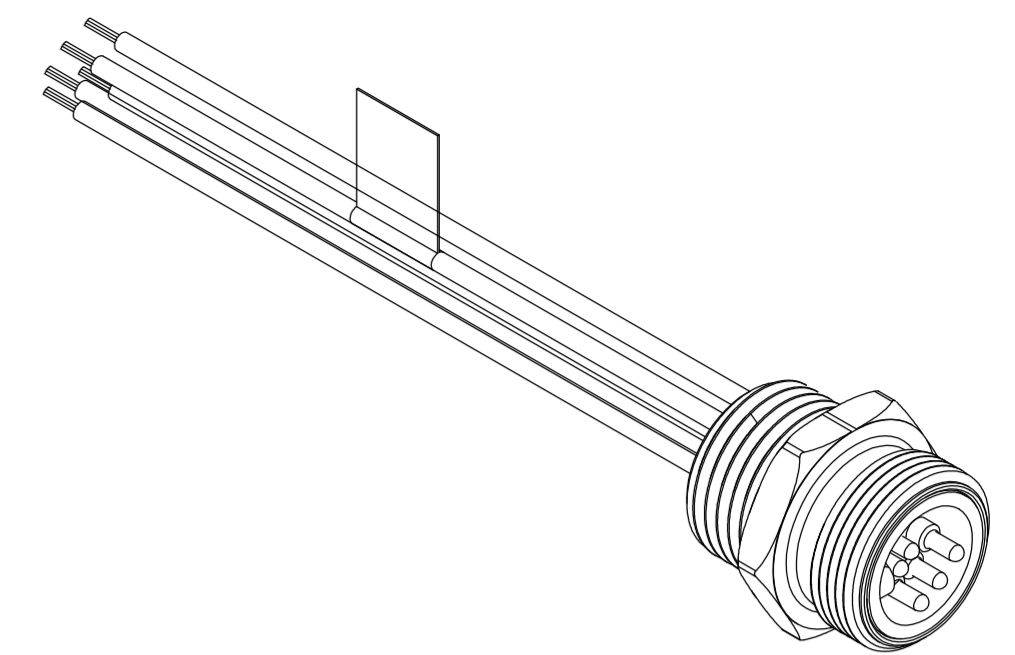


MATERIAL NUMBER	ENGINEERING NUMBER	FINISHED LENGTH
1300130515	1R5006A24A120	12IN [1FT]



1	RED WITH #1
2	RED WITH #2
3	GREEN-GND
4	RED WITH #4
5	RED WITH #5

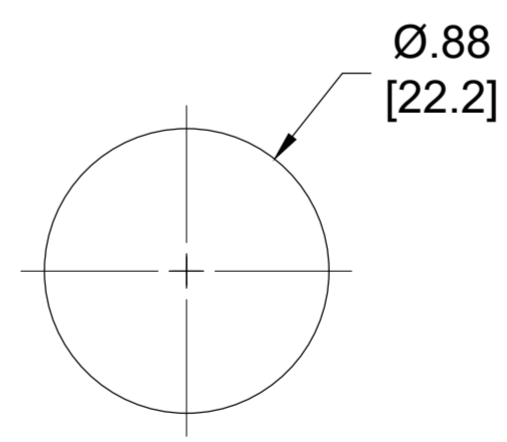
WIRING DIAGRAM

NOTES:

- MATERIAL: AS NOTED
- FINISH: AS NOTED
- ELECTRICAL:
VOLTAGE: 400 PER IEC60664
600 PER UL2238
CURRENT: 8A
- TEMP RATING: -20° TO +105°C
- PROTECTION: IP67 (WHEN MATED)
- COUPLING THREAD- AS NOTED
- UL RECOGNIZED FILE: E152210
CSA CERTIFIED FILE: LR6837
- ALL DIMENSIONS ARE FOR REFERENCE UNLESS TOLERANCED OR NOTED OTHERWISE

PART NUMBER LEGEND
1R5006A24A120

LENGTH
A060= 6 IN
A120= 12 IN



KNOCKOUT HOLE

CABLE LENGTH TOLERANCES

<.3M [1FT]:	+19mm-0 [+.75in-0]
.3 - .9M [1 - 3FT]:	+44.5mm-0 [+1.75in-0]
.9 - 1.8M [3 - 6FT]:	+55.6mm-0 [+2.19in-0]
1.8 - 3.7M [6 - 12FT]:	+88.9mm-0 [+3.50in-0]
3.7 - 7.3M [12 - 24FT]:	+165.1mm-0 [+6.50in-0]
7.3-14.6M [24 - 48FT]:	+317.5mm-0 [+12.50in-0]
14.6 - 30.5M [48-100FT]:	+622.3mm-0 [+24.50in-0]
OVER 30M [100FT]	+2% OF FINISHED LENGTH

5	FLAG LABEL	VINYL	BLACK/YELLOW
5	POTTING MATERIAL	EPOXY	
4	WIRE - 16 AWG	PVC	SEE WIRING DIAGRAM
3	RECEPTACLE SHELL	ZINC DIE CAST	BLACK E-COAT
2	CONTACT PIN	COPPER ALLOY	GOLD OVER NICKEL
1	INSERT	TPE	YELLOW
ITEM	COMPONENT	MATERIAL	FINISH

FUNCTIONAL SYMBOLS	THIS DRAWING CONTAINS INFORMATION THAT IS PROPRIETARY TO MOLEX ELECTRONIC TECHNOLOGIES, LLC AND SHOULD NOT BE USED WITHOUT WRITTEN PERMISSION		
	DIMENSION UNITS	SCALE	CURRENT REV DESC: ITEM #1 WAS PVC. ITEM #6 WAS PLASTIC FILM. ADDED ITEM-5, IEC VOLTAGE, PN LEGEND & TOL CHART. MODIFIED WIRE STRIP END DIM & PN CHART.
DIVISIONAL SYMBOLS	INCH/MM	NTS	EC NO: 698297
	GENERAL TOLERANCES (UNLESS SPECIFIED)		DRWN: ABENJAMINLW 2021/05/31
DIVISIONAL SYMBOLS	4 PLACES	±----	CHK'D: RSTONE 2022/03/16
	3 PLACES	±----	APPR: BWOODMAN 2022/03/26
	2 PLACES	±----	INITIAL REVISION:
	1 PLACE	±----	DRWN: BWOODMAN 2010/01/08
DIVISIONAL SYMBOLS	0 PLACES	±----	APPR: JFMURPHY 2010/01/14
	ANGULAR TOL	± ---- °	
DRAFT WHERE APPLICABLE MUST REMAIN WITHIN DIMENSIONS		THIRD ANGLE PROJECTION	DRAWING C-SIZE
		SERIES 130013	MATERIAL NUMBER SEE CHART
		CUSTOMER GENERAL MARKET	SHEET NUMBER 1 OF 1

molex

MINI-CHANGE RECEPTACLE, A-SIZE
5 POLE, MALE, STRAIGHT, SINGLE KEY,
#16 AWG

PRODUCT CUSTOMER DRAWING

DOCUMENT NUMBER SD-130013-024 DOC TYPE/DOC PART REVISION PSD 001 B