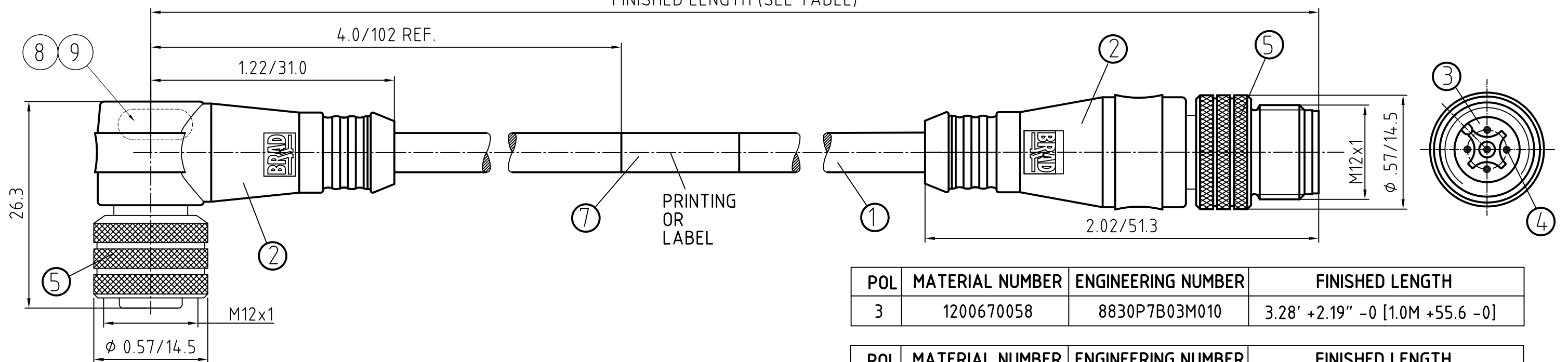
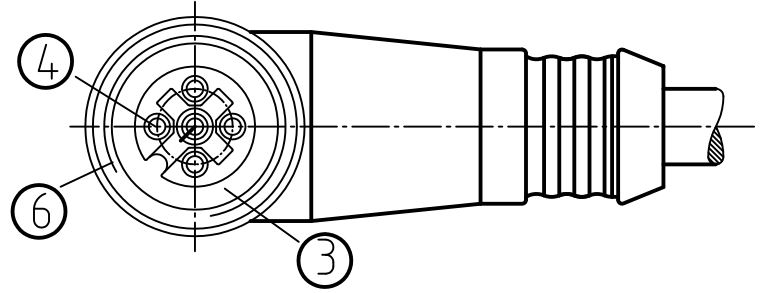


FINISHED LENGTH (SEE TABLE)

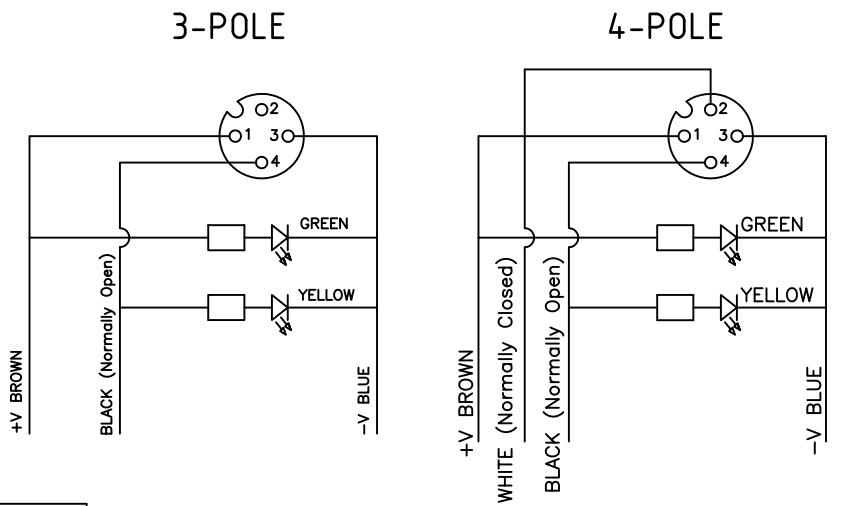


POL	MATERIAL NUMBER	ENGINEERING NUMBER	FINISHED LENGTH
3	1200670058	8830P7B03M010	3.28' +2.19" -0 [1.0M +55.6 -0]
4	1200670112	8840P7B03M010	3.28' +2.19" -0 [1.0M +55.6 -0]



CONNECTOR SPECIFICATION:

VOLTAGE RATING	10 TO 30VDC
AMPERAGE RATING	max. 4 AMPS
PROTECTION	IP67
OPERATING TEMPERATURE	FLEXING: -5°C TO +90°C STATIC: -30°C TO +90°C



FEMALE FACE VIEW	FEMALE FACE VIEW
3-POLE	4-POLE
WIRING DIAGRAM	WIRING DIAGRAM
1 BROWN 2 NOT USED 3 BLUE 4 BLACK	1 BROWN 2 WHITE 3 BLUE 4 BLACK

ITEM	COMPONENT	MATERIAL	FINISH
9	LED		GREEN
8	LED		YELLOW
7	LABLE	MYLAR	BLACK/YELLOW
6	O-RING	VITON	RED
5	COUPLER	BRASS	NICKEL PLATED
4	PIN CONTACT	COPPER ALLOY	GOLD OVER NICKEL
3	INSERT	PUR	BLACK
2	OVERMOLD	POLYURETHANE (PUR)	TRANSP.
1	CABLE- 22/3-5 (COPPER STRANDING) 3/4/5 CONDUCT. 300V	JACKET: PUR	BLACK

DESCRIPTION EC NO.: WEU2010-0318 DRWN: BBRAUCH 2010/02/03 CHKD: NS APPR: NSTAUDIG 2010/02/05	QUALITY SYMBOLS = 0 = 0	GENERAL TOLERANCES (UNLESS SPECIFIED)		DIMENSION STYLE IN/MM	SCALE 2:1	DESIGN UNITS METRIC	THIRD ANGLE PROJECTION
		mm	INCH	DRAWN BY BBRAUCH	DATE 2010/02/03	MIC-3/4POL-FE-90-M-STR SE PNP 22/4 BLKPUR CABLE	
1	REV	4 PLACES ±---	±---	CHECKED BY NS	DATE 2010/02/04	MOLEX INCORPORATED	
		3 PLACES ±---	±---	APPROVED BY NSTAUDIG	DATE 2010/02/04	DOCUMENT NO. SD-120067-009	SHEET NO. 1 OF 1
DRAFT WHERE APPLICABLE MUST REMAIN WITHIN DIMENSIONS		2 PLACES ±---	±0.1	THIS DRAWING CONTAINS INFORMATION THAT IS PROPRIETARY TO MOLEX INCORPORATED AND SHOULD NOT BE USED WITHOUT WRITTEN PERMISSION			
SIZE A3		1 PLACE ±0.30	±---				
		ANGULAR ± --- °					