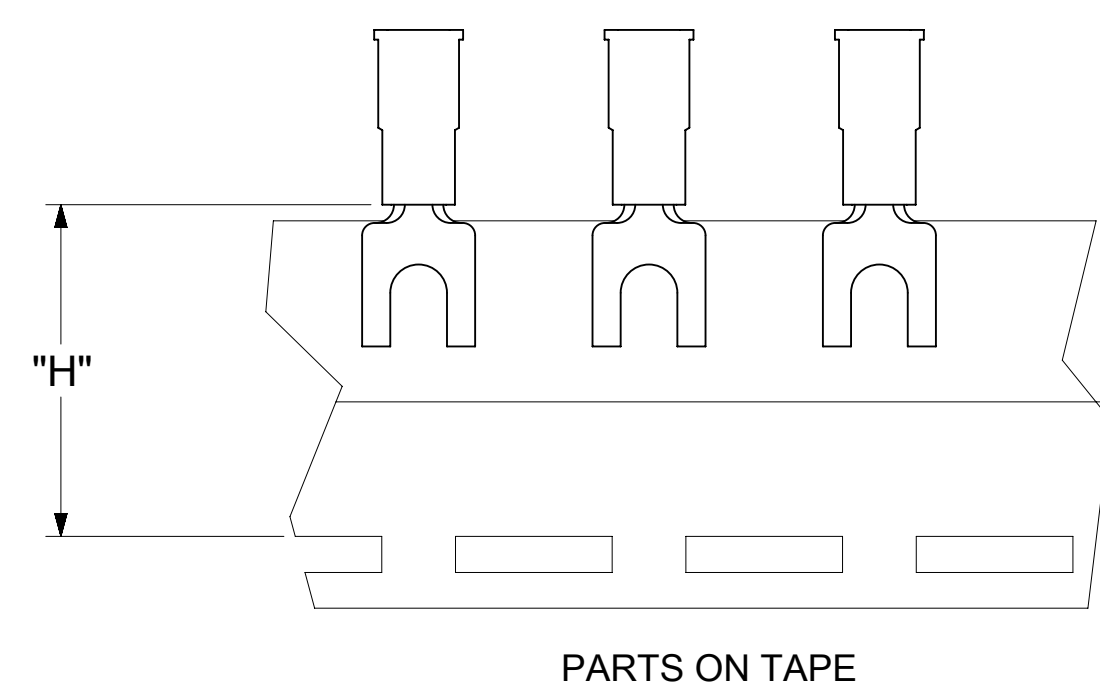
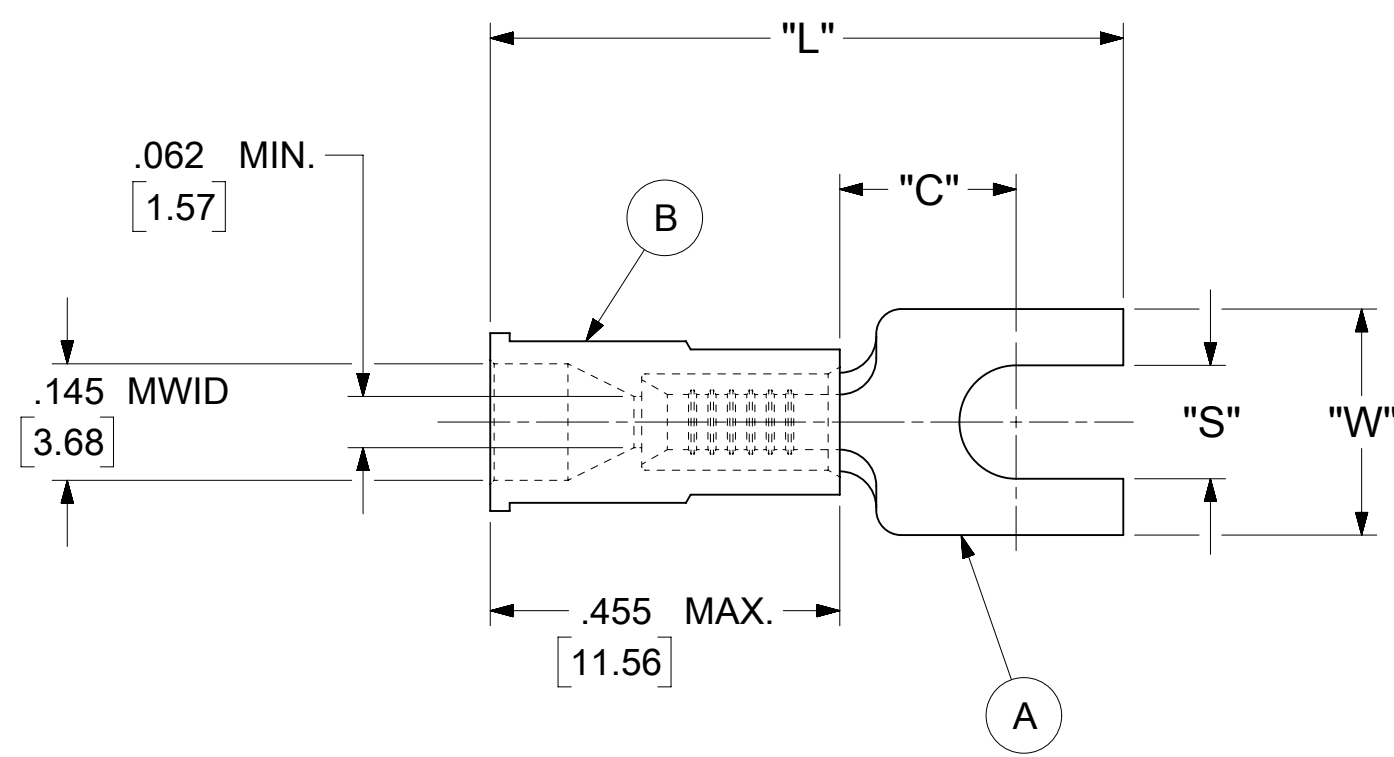


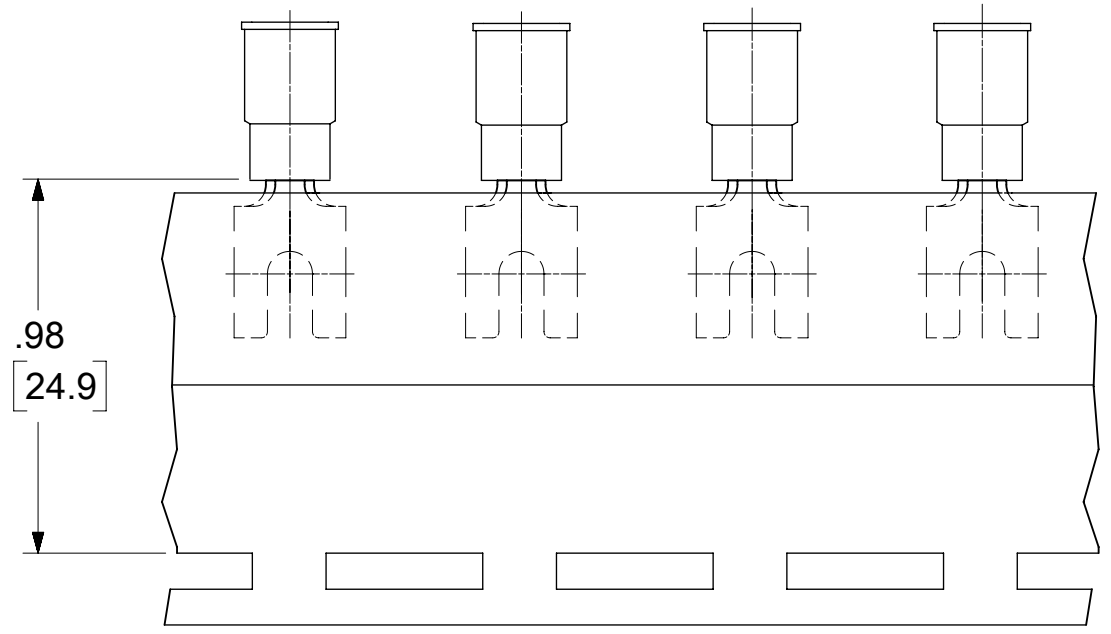
LOOSE PIECE		TAPE MOUNTED		SPECIFICATIONS						
MATERIAL NUMBER	ENGINEERING NUMBER	MATERIAL NUMBER	ENGINEERING NUMBER	STUD SIZE	"S" ±.005 [0.13]	"W" ±.010 [0.25]	"C" MIN.	"L" MAX.	"H"	STOCK THICKNESS
191300005	A-234-06X	---	---	6	.146 [3.71]	.291 [7.39]	.207 [5.26]	.835 [21.21]	---	.028 $\frac{+.001}{-.000}$ [0.71]
191300006	A-234-08X	---	---	8	.173 [4.39]					
191300007	A-234-10X	---	---	10	.198 [5.03]					
191300008	A-238-04X	---	---	4	.119 [3.02]	.245 [6.22]	.207 [5.26]	.835 [21.21]	.980 [24.89]	.028 $\frac{+.001}{-.000}$ [0.71]
191300009	A-238-06X	191420009	A-238-06XT	6	.146 [3.71]					



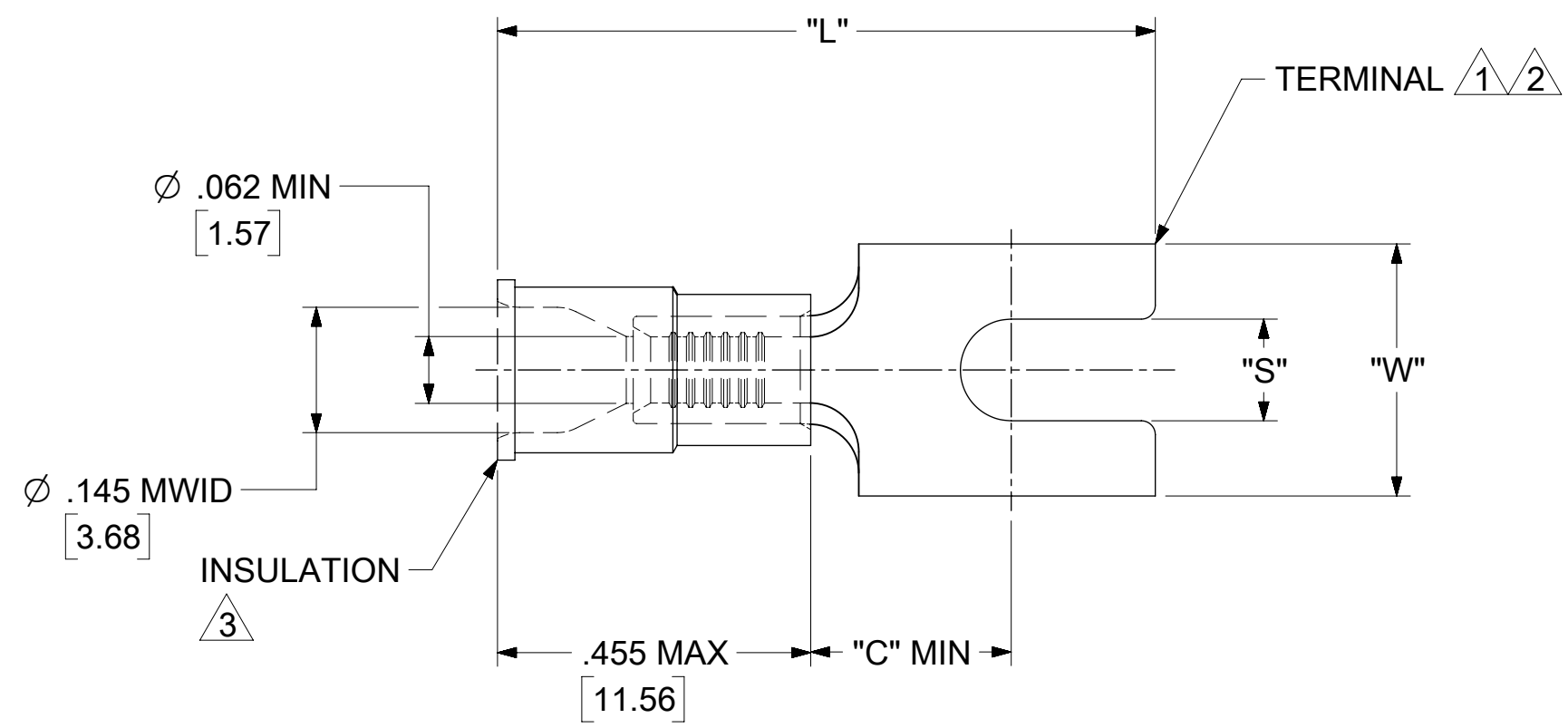
- NOTES:
- MATERIAL:
    - (A). SPADE TONGUE TERMINAL: COPPER
    - PLATING: ELECTRO-TIN (.0003 MIN.)
    - (B). INSULATION: MOLDED PVC (RED)
  - MWID: MAXIMUM WIRE INSULATION DIAMETER  
0.25 -1.5 MM<sup>2</sup>
  - WIRE SIZE: 22 -18 AWG
  - ALL DIMENSIONS IN INCHES/[MM].
  - PARTS ARE ROHS COMPLIANT.
  - DIMS. SHOWN ARE FOR REFERENCE ONLY.

SYMBOLS	THIS DRAWING CONTAINS INFORMATION THAT IS PROPRIETARY TO MOLEX ELECTRONIC TECHNOLOGIES, LLC AND SHOULD NOT BE USED WITHOUT WRITTEN PERMISSION											
	DIMENSION UNITS		SCALE		CURRENT REV DESC: MIGRATION TO ECTR/NX							
	INCH/MM		NTS		EC NO: 620952							
	GENERAL TOLERANCES (UNLESS SPECIFIED)		MM		INCH		DRWN: ABENJAMINLW 2019/06/27			PRODUCT CUSTOMER DRAWING		
4 PLACES ± --- ± ---		3 PLACES ± --- ± .005		2 PLACES ± 0.13 ± .01		APPR: JMACNEIL 2019/08/05			DOCUMENT NUMBER			
1 PLACE ± 0.25 ± ---		0 PLACES ± --- ± ---		ANGULAR TOL ± 0.5°		INITIAL REVISION:			DOC TYPE   DOC PART   REVISION			
DRAFT WHERE APPLICABLE MUST REMAIN WITHIN DIMENSIONS		THIRD ANGLE PROJECTION		DRAWING		SERIES		MATERIAL NUMBER				
				C-SIZE		19130		CUSTOMER				
								SHEET NUMBER				
								1 OF 1				

MATERIAL NUMBER	ENGINEERING NUMBER	STUD SIZE	"S" ±.005/(0.13)	"W" ±.010/(0.25)	"C" MIN.	"L" MAX.	PACKAGING
191300008	A-238-04X	4	.119/(3.02)	.245/(6.22)	.207/(5.26)	.835/(21.21)	LOOSE PIECE
191300009	A-238-06X	6	.146/(3.71)	.245/(6.22)	.207/(5.26)	.835/(21.21)	
<del>191420058</del>	<del>A-238-04XT</del>	<del>4</del>	<del>.119/(3.02)</del>	<del>.245/(6.22)</del>	<del>.207/(5.26)</del>	<del>.835/(21.21)</del>	TAPE MOUNTED
191420009	A-238-06XT	6	.146/(3.71)	.245/(6.22)	.207/(5.26)	.835/(21.21)	



PARTS ON TAPE



NOTE(S):

- 1 MATERIAL: COPPER .029/ .028 (0.74/ 0.71) THICK.
- 2 PLATING: ELECTRO-TIN
- 3 INSULATION: MOLDED PVC (RED).
- 4. MWID = MAXIMUM WIRE INSULATION DIAMETER.
- 5. PARTS ARE RoHS COMPLIANT.

SYMBOLS	THIS DRAWING CONTAINS INFORMATION THAT IS PROPRIETARY TO MOLEX ELECTRONIC TECHNOLOGIES, LLC AND SHOULD NOT BE USED WITHOUT WRITTEN PERMISSION		CURRENT REV DESC: RMV OBSO PN -0058		
	DIMENSION UNITS	SCALE	molex		
▽ = 0	IN/MM	5:1	BLOCK SPADE TONGUE		
▽ = 0	GENERAL TOLERANCES (UNLESS SPECIFIED)		TERMINAL, INSULKRIMP, 22-18 AWG		
▽ = 0			PRODUCT CUSTOMER DRAWING		
▽ = 0	4 PLACES ±	±	EC NO: 616593	DOCUMENT NUMBER	
▽ = 0	3 PLACES ±	±	DRWN: DMYRICK 2019/05/02	SD-19142-002	DOC TYPE
▽ = 0	2 PLACES ±	±	CHK'D: GROJAS01 2019/05/03	PSD	DOC PART
▽ = 0	1 PLACE ±	±	APPR: GROJAS01 2019/05/03	001	REVISION
▽ = 0	0 PLACES ±	±	INITIAL REVISION:	B1	
▽ = 0	ANGULAR TOL ± 0.5°		DRWN:	MATERIAL NUMBER	CUSTOMER
▽ = 0	DRAFT WHERE APPLICABLE MUST REMAIN WITHIN DIMENSIONS		APPR:	SEE CHART	GENERAL MARKET
▽ = 0	THIRD ANGLE PROJECTION		DRAWING	SHEET NUMBER	1 OF 1
▽ = 0	B-SIZE		SERIES	19142	