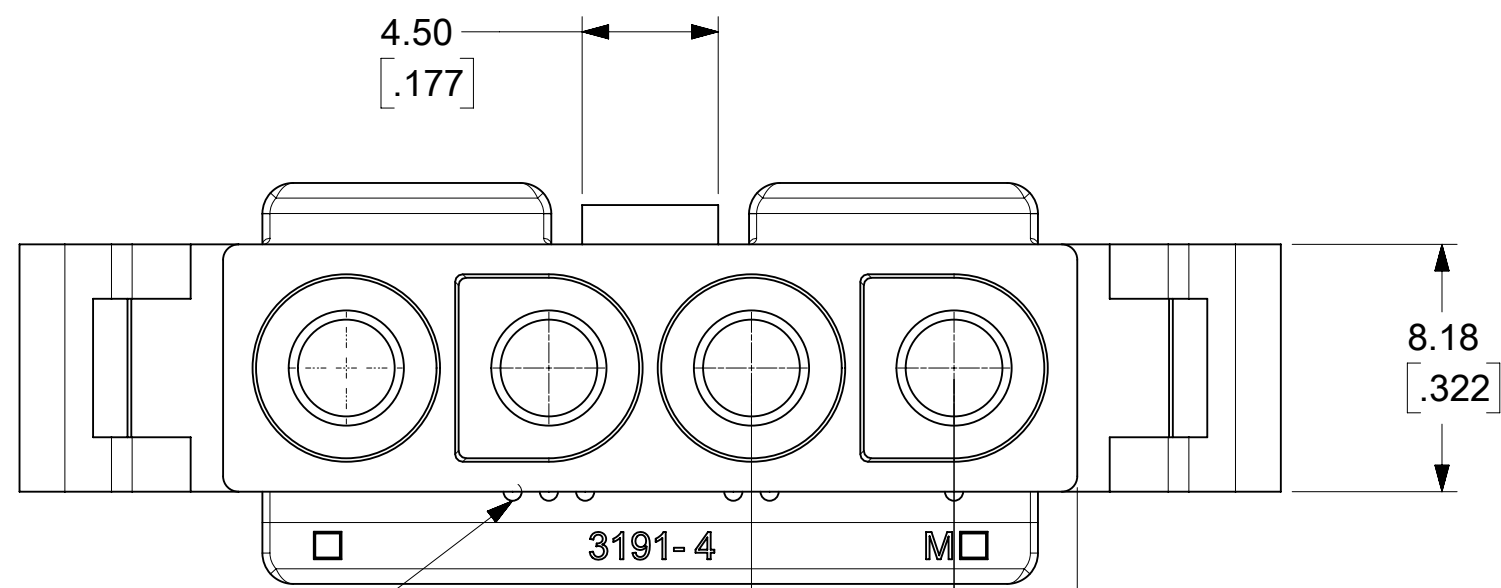


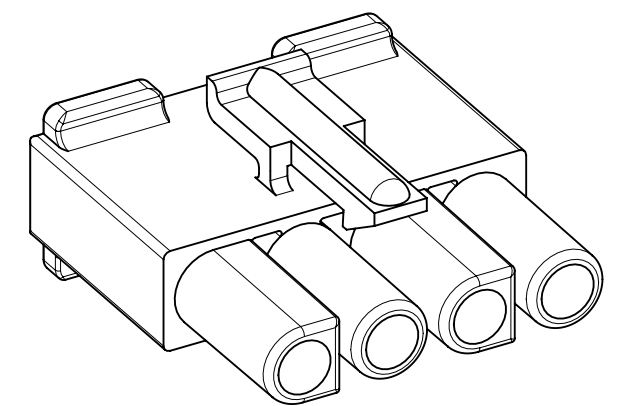
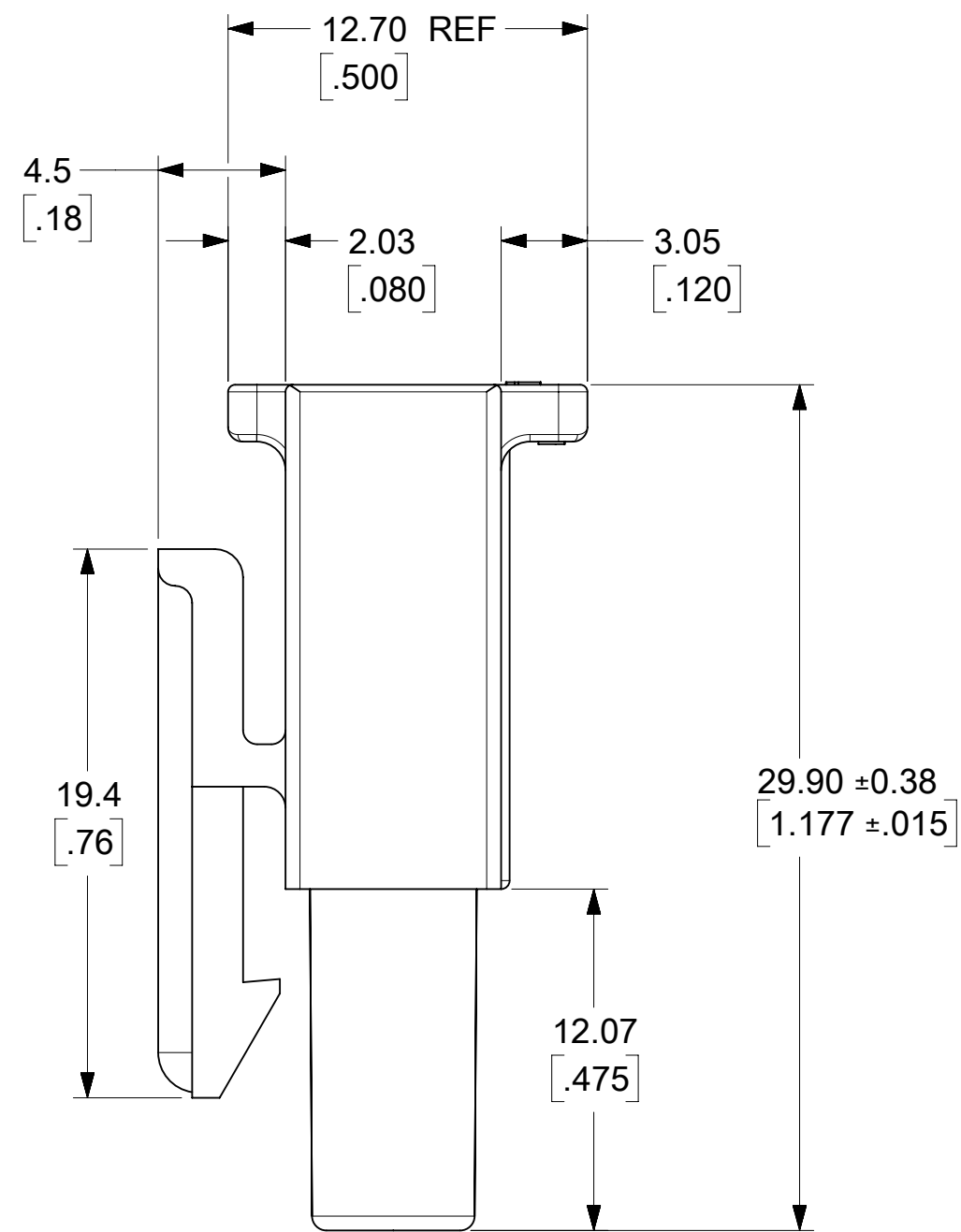
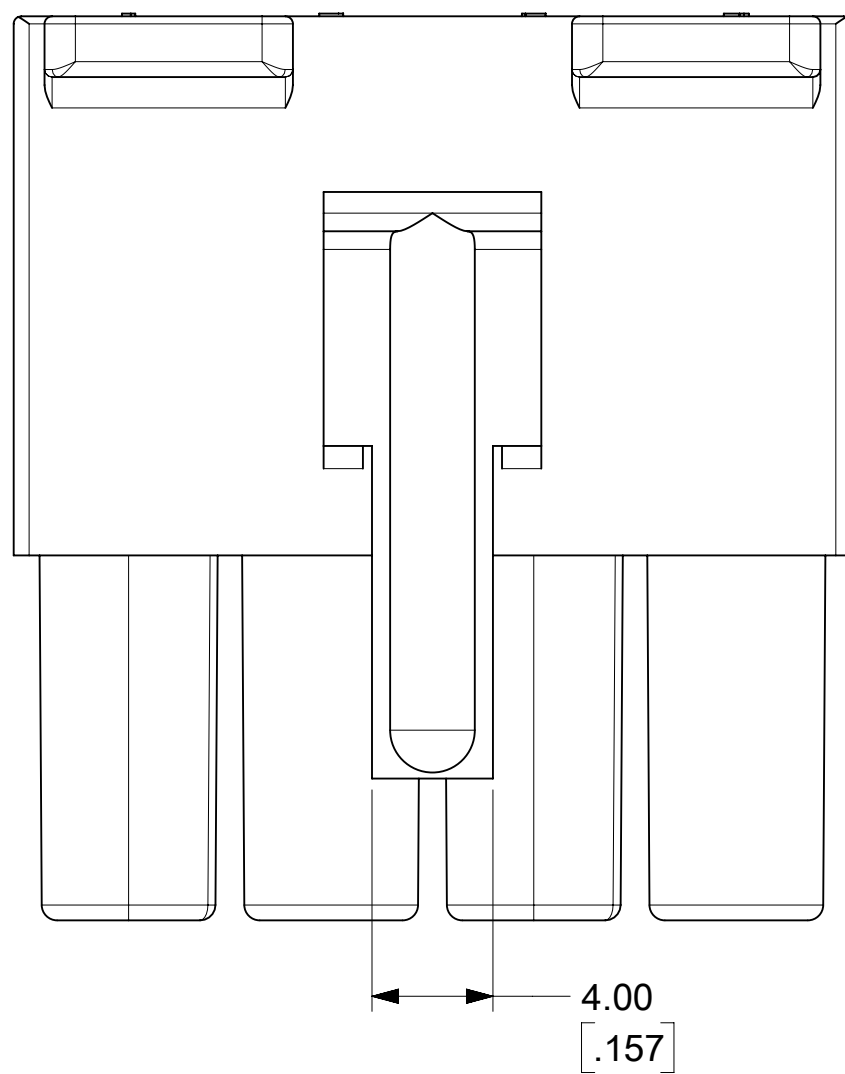
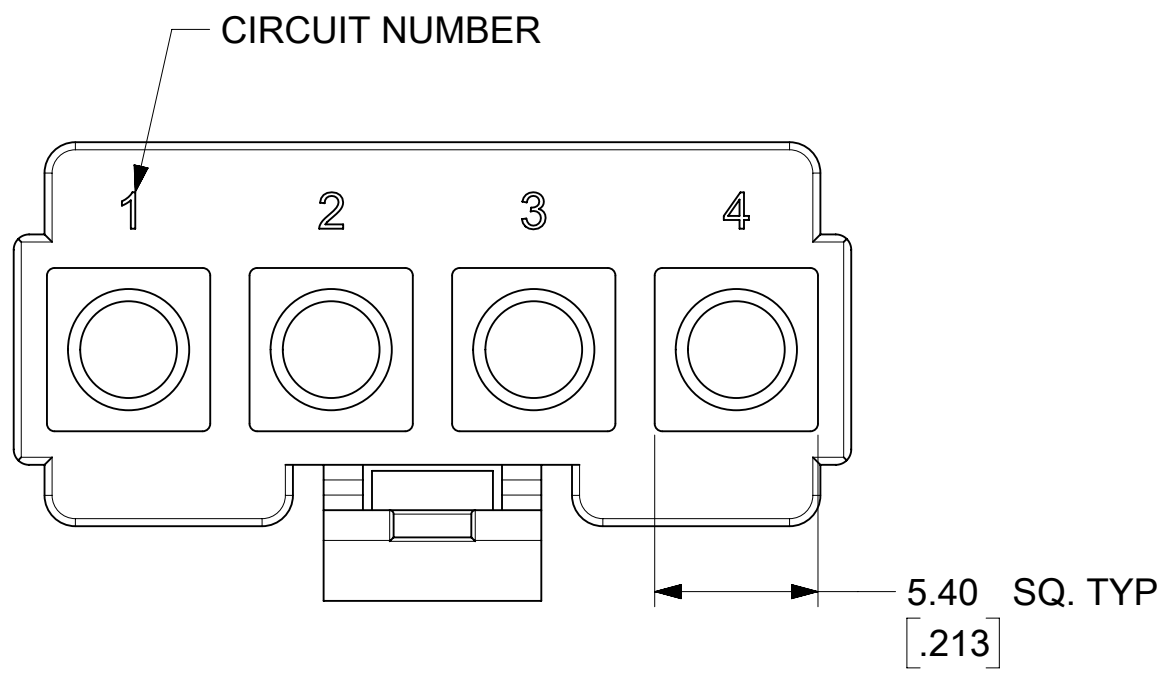
(SHOWN WITH OPTIONAL MOUNTING EARS)

PLUG

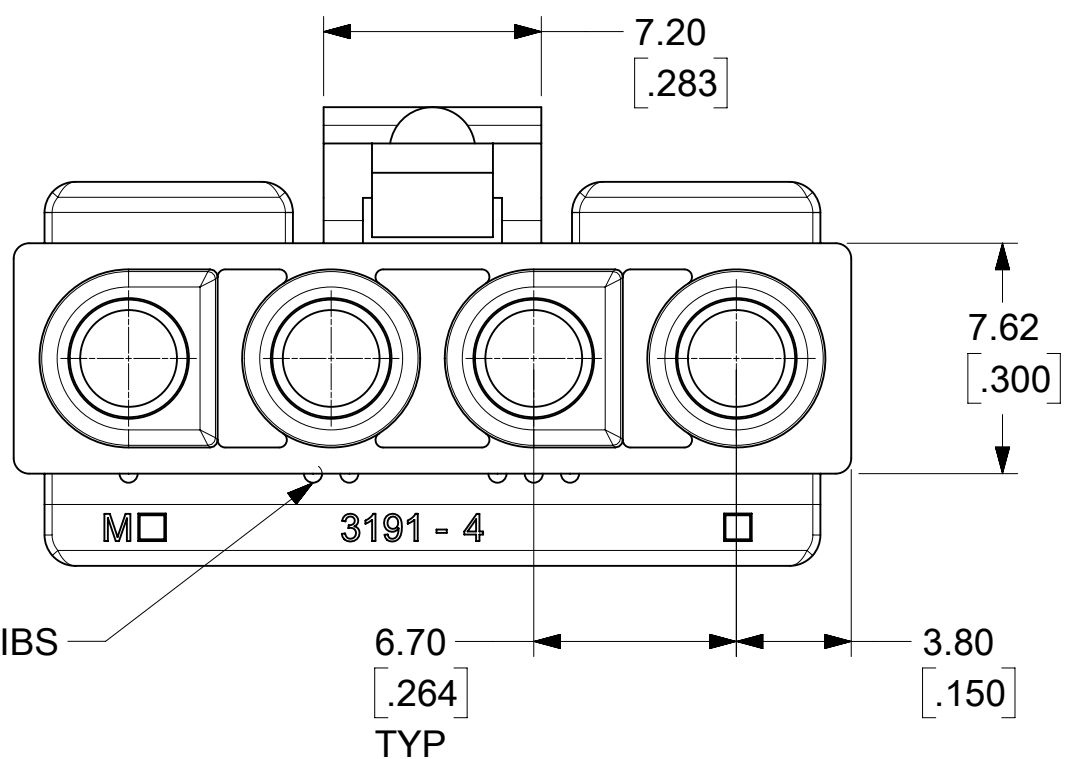


CIRCUIT I.D. RIBS

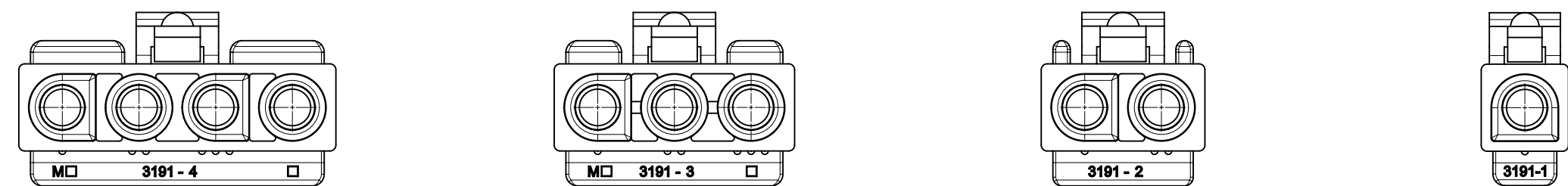
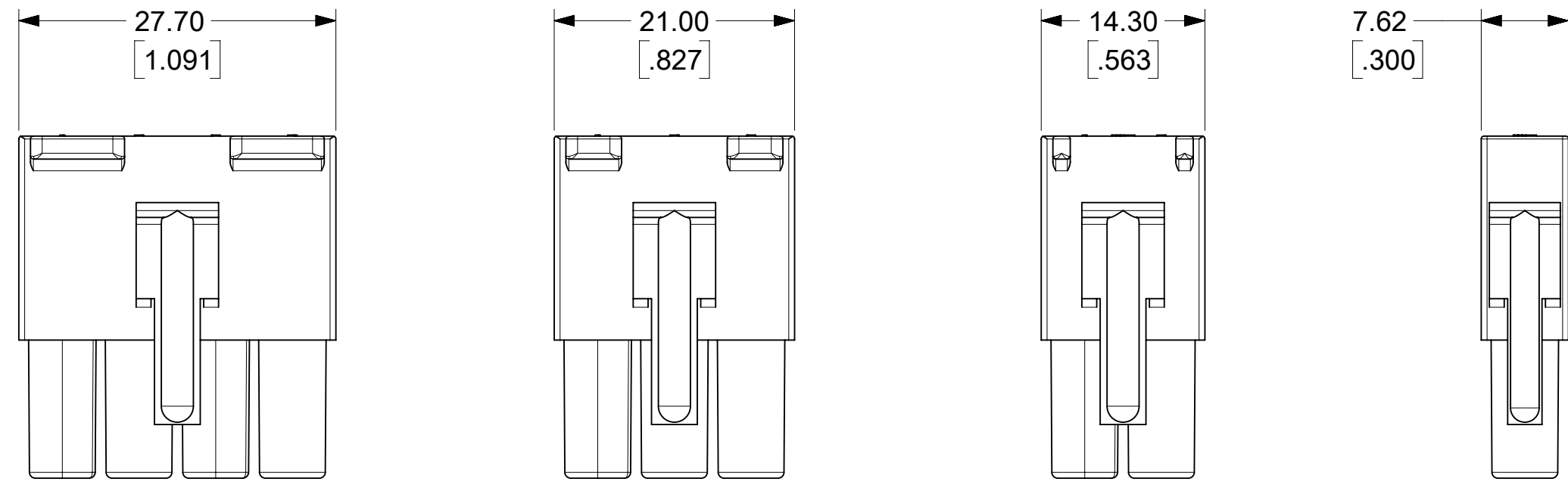
FUNCTIONAL SYMBOLS	THIS DRAWING CONTAINS INFORMATION THAT IS PROPRIETARY TO MOLEX ELECTRONIC TECHNOLOGIES, LLC AND SHOULD NOT BE USED WITHOUT WRITTEN PERMISSION								
	DIMENSION UNITS		SCALE		CURRENT REV DESC: RELEASED				
	MM/INCH		4:1						
	GENERAL TOLERANCES (UNLESS SPECIFIED)								
DIVISIONAL SYMBOLS	4 PLACES		±	±	EC NO: 643927 DRWN: MKIPPER 2020/06/02 CHK'D: MKIPPER 2022/10/12 APPR: FSMITH 2022/10/14				
	3 PLACES		±	± 0.01					
	2 PLACES		±	0.25 ± 0.015					
	1 PLACE		±	0.38 ±					
0 PLACES		±	±	INITIAL REVISION:					
ANGULAR TOL		±	°	DRWN: MKIPPER 2020/06/02 APPR: FSMITH 2022/10/14					
DRAFT WHERE APPLICABLE MUST REMAIN WITHIN DIMENSIONS		THIRD ANGLE PROJECTION		DRAWING	SERIES	DOCUMENT NUMBER	DOC TYPE	DOC PART	REVISION
				C-SIZE	3191	31910000-SD	PSD	000	A
				SEE CHARTS	GENERAL MARKET	MATERIAL NUMBER		CUSTOMER	
						SHEET NUMBER		1 OF 4	



RECEPTACLE



FUNCTIONAL SYMBOLS	THIS DRAWING CONTAINS INFORMATION THAT IS PROPRIETARY TO MOLEX ELECTRONIC TECHNOLOGIES, LLC AND SHOULD NOT BE USED WITHOUT WRITTEN PERMISSION							
	DIMENSION UNITS	SCALE		CURRENT REV DESC: RELEASED				
$\frac{F}{A} = 0$	MM/INCH	4:1		EC NO: 643927 DRWN: MKIPPER CHK'D: MKIPPER APPR: FSMITH				
$\frac{F}{C} = 0$	GENERAL TOLERANCES (UNLESS SPECIFIED)							
DIVISIONAL SYMBOLS		MM	INCH	2020/06/02				
	4 PLACES	±	±	2022/10/12				
	3 PLACES	±	± 0.01	2022/10/14				
	2 PLACES	± 0.25	± 0.015					
	1 PLACE	± 0.38	±	INITIAL REVISION:				
	0 PLACES	±	±	DRWN: MKIPPER 2020/06/02				
	ANGULAR TOL	± °		2022/10/14				
DRAFT WHERE APPLICABLE MUST REMAIN WITHIN DIMENSIONS		THIRD ANGLE PROJECTION	DRAWING	SERIES	DOCUMENT NUMBER	DOC TYPE	DOC PART	REVISION
			C-SIZE	3191	31910000-SD	PSD	000	A
					SEE CHARTS	GENERAL MARKET		SHEET NUMBER 3 OF 4

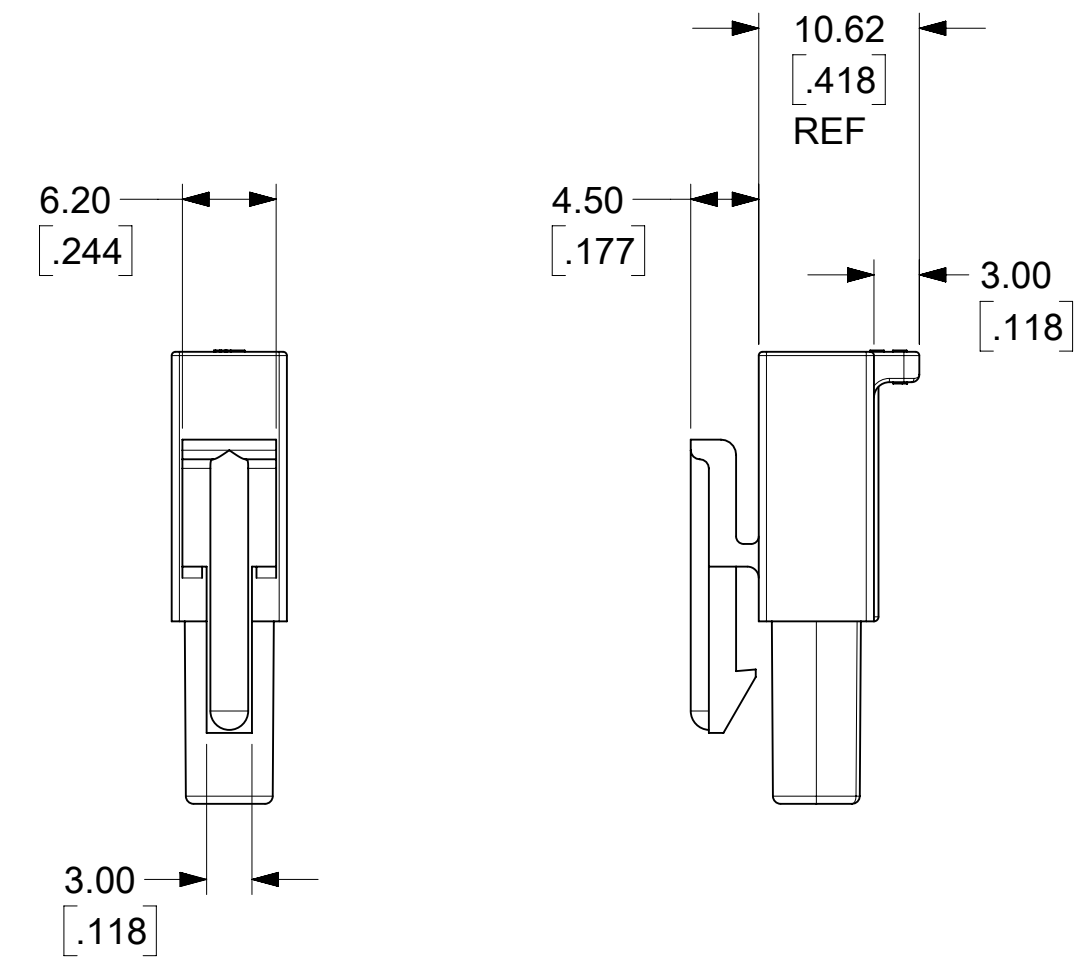


RECEPTACLE POLARIZATION

- NOTES:
1. MATERIAL: NYLON TYPE 6/6. SEE CHART FOR COLOR AND UL94 RATING.
 2. FINISH: NONE
 3. PRODUCT SPECIFICATION PS-02-09
 4. PACKAGING SPECIFICATION: SEE CHART
 5. PARTS CONFORM TO CLASS B REQUIREMENTS OF COSMETIC SPECIFICATION PS-45499-002.

THIS DRAWING REPLACES
SD-3191-1X AND SD-3191-1*
SD-3191-2X AND SD-3191-2*
SD-3191-3X AND SD-3191-3*
SD-3191-4X AND SD-3191-4*

CIRCUITS	PART NO.	ENG. NO.	MATERIAL	COLOR	PACKAGING	MOUNTING EARS
1	19-09-1019	3191-1R1	UL94V-2	NATURAL	31910002-PK	MOUNTING EARS NOT AVAILABLE ON RECEPTACLES
	19-09-1016	3191-1R1-201	UL94V-0	IVORY	31910002-PK	
	19-09-6011	3191-1R1BU	UL94V-2	BLUE	TBD	
2	19-09-1029	3191-2R1	UL94V-2	NATURAL	31910002-PK	
	19-09-1026	3191-2R1-201	UL94V-0	IVORY	31910002-PK	
3	19-09-1039	3191-3R1	UL94V-2	NATURAL	31910001-PK	
	19-09-1036	3191-3R1-201	UL94V-0	IVORY	31910002-PK	
	19-09-5039	3191-3R1-2	UL94V-0	WHITE	31910001-PK	
4	19-09-1049	3191-4R1	UL94V-2	NATURAL	31910001-PK	
	19-09-1046	3191-4R1-201	UL94V-0	IVORY	31910002-PK	



THESE DIMENSIONS APPLY TO 1 CIRCUIT RECEPTACLES ONLY

FUNCTIONAL SYMBOLS FA = 0 FC = 0 FP = 0 DIVISIONAL SYMBOLS	THIS DRAWING CONTAINS INFORMATION THAT IS PROPRIETARY TO MOLEX ELECTRONIC TECHNOLOGIES, LLC AND SHOULD NOT BE USED WITHOUT WRITTEN PERMISSION		CURRENT REV DESC: RELEASED		
	DIMENSION UNITS	SCALE	EC NO: 643927		
	MM/INCH	2:1	DRWN: MKIPPER 2020/06/02		
	GENERAL TOLERANCES (UNLESS SPECIFIED)		CHK'D: MKIPPER 2022/10/12		
4 PLACES ±		MM	INCH	APPR: FSMITH 2022/10/14	
3 PLACES ±		± 0.01		INITIAL REVISION:	
2 PLACES ±		± 0.015		DRWN: MKIPPER 2020/06/02	
1 PLACE ±		± 0.38		APPR: FSMITH 2022/10/14	
0 PLACES ±		±		ANGULAR TOL ± °	
DRAFT WHERE APPLICABLE MUST REMAIN WITHIN DIMENSIONS		THIRD ANGLE PROJECTION	DRAWING	SERIES	
			C-SIZE	3191	
DOCUMENT STATUS		DOCUMENT NUMBER	CUSTOMER	SHEET NUMBER	
P1	2022/10/14 17:29:15	31910000-SD	GENERAL MARKET	4 OF 4	