

Product Change Notification (PCN)

PCN Number Date Issued

Product Family

Series

Reason for Change

Change Type Description

Planned Implementation Date

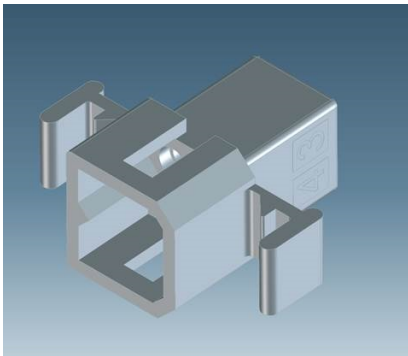
Recommended Replacement Parts

Last Time Buy Date for Obsolete Parts

Last Time Ship Date for Obsolete Parts

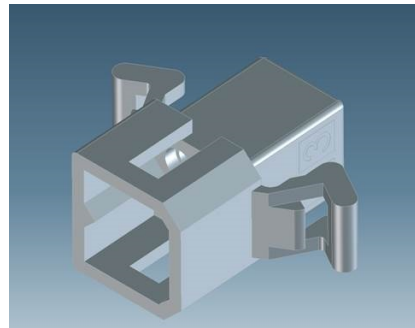
RELEASED

Before Change



Current straight ear parts will be made obsolete.

After Change



The replacement parts will have the pre-bent ear option as shown. This will be a drop in replacement.



Product Change Notification (PCN)

You may address any technical inquiries regarding this PCN by sending E-mail to pcn_coordinator@molex.com or your Local Sales Engineer.

Note: While responding, please retain "**PCN Notification:500534**" in the e-mail Subject line for faster response.

RELEASED

Molex, LLC
2222 Wellington Court
Lisle, IL 60532
TEL: 630-969-4747
www.molex.com