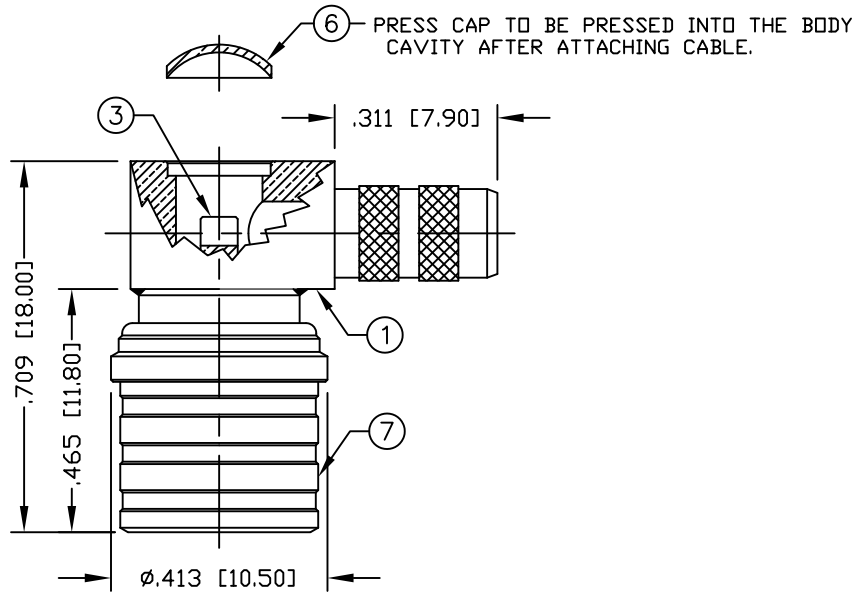
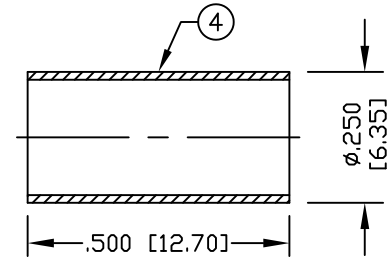


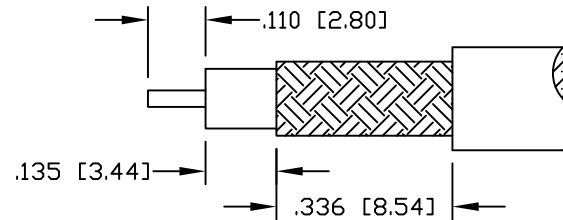
PART NO.		<b>ROA-5010-C</b>		
REV	DESCRIPTION	DWN	DATE	APPROVED
C	UPDATED DWG FORMAT	CZS	04/23/21	JDMc



**\*\*USE QMA TOOL TO PRESS THE END CAP (ITEM 6) INTO THE BODY TO AVOID DAMAGE TO THE SPRING RFI PART NUMBER "QMA-TOOL"**



**RECOMMENDED CRIMP DIE: .213"**



**RECOMMENDED STRIPING DIMENSIONS**

**ATTACH CABLE TO CONNECTOR BY SOLDERING THE CABLE CENTER CONDUCTOR TO THE PIN SLOT INSIDE THE CONNECTOR CAVITY.**

**SPECIFICATIONS:**

IMPEDANCE: 50 Ohms  
 FREQUENCY RANGE: 0-6 GHz  
 INSULATION RESISTANCE: 5k MΩ min.  
 TEMPERATURE RANGE: -65°C TO 165°C

FOR CABLES:

(C) RG-55, 55A, 55B, 142, 142A, 142B, 223 & 400/U,  
 ALPHA 9055, 9055B, 9223, BELDEN 8219, 83242 & 84142  
 (C2) TIMES LMR-200, ALPHA 9848 & MSI-22

#	DESCRIPTION	QTY	MATERIAL	FINISH
7	COUPLING NUT	1	BRASS	CuSnZn
6	PRESS CAP	1	BRASS	CuSnZn
5	GROUND RING	1	PHOSPHOR BRONZE	CuSnZn
4	FERRULE	1	BRASS	CuSnZn
3	PIN	1	BRASS	GOLD
2	INSULATOR	1	PTFE	NATURAL
1	BODY	1	BRASS	CuSnZn

CUSTOMER OUTLINE DRAWING	
ALL DIMENSIONS ARE REFERENCE ONLY	
UNLESS OTHERWISE SPECIFIED: DIMENSIONS ARE IN INCHES AND [MILLIMETERS]	
DRAWN C. ZUÑIGA	04/23/21
CHECKED	
ORJ DRAWN C. ZUÑIGA	05/05/05

**RoHS COMPLIANT**

PROPRIETARY AND CONFIDENTIAL  
 THIS DRAWING CONTAINS INFORMATION PROPRIETARY TO RF INDUSTRIES, ANY UNAUTHORIZED USE OF THIS DRAWING IS EXPRESSLY PROHIBITED WITHOUT WRITTEN PERMISSION FROM RF INDUSTRIES. ANY VIOLATION IS PUNISHABLE UNDER U.S. COPYRIGHT LAWS.

**RFconnectors**  
 DIVISION OF RF INDUSTRIES, LTD. (858) 549-6345 FAX

RFINDUSTRIES.COM  
 7610 MIRAMAR RD.  
 SAN DIEGO, CA 92126  
 (858) 549-6340

**QMA PLUG, CRIMP**  
 RIGHT ANGLE

DWG # **RQA-5010-C**

CABLE GROUP C & C2	CONTROL # 000000	SCALE NTS	FORMAT A	SHEET 1 OF 1	REVISION C
-----------------------	---------------------	--------------	-------------	-----------------	---------------