

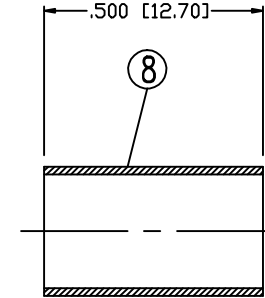
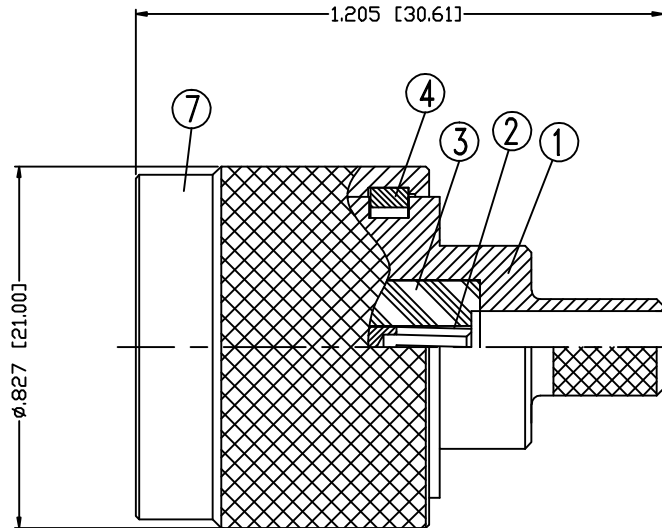
THIS DRAWING CONTAINS INFORMATION PROPRIETARY TO RF INDUSTRIES,  
 ANY UNAUTHORIZED USE OF THIS DRAWING IS EXPRESSLY PROHIBITED  
 WITHOUT WRITTEN PERMISSION FROM RF INDUSTRIES.  
 ANY VIOLATION IS PUNISHABLE UNDER U.S. COPYRIGHT LAWS.

ALL DIMENSIONS ARE REFERENCE ONLY

PART NO.

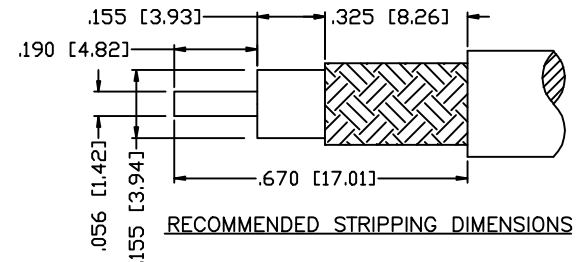
**RFN-1006-8X**

REV	DESCRIPTION	DWN	DATE	APPROVED
-	ENGINEERING RELEASE	JDMc	7/11/06	JDMc
A	CHANGED STRIP DIMS, CENTER CONDUCTOR LENGTH	JDMc	9/26/16	JDMc
A1	MODIFICATIONS MADE TO INTERNAL CONFIGURATION	JDMc	3/31/17	JDMc



**SPECIFICATIONS:**

IMPEDANCE: 50 Ohms  
 INTERFACE: Per MIL-STD-348  
 FREQUENCY RANGE: 0-11 GHz  
 INSERTION LOSS: -0.1 dB Max 0-6 GHz  
 WORKING VOLTAGE: 850 VRMS @ sea level  
 TEMPERATURE RANGE: -65°C TO 155°C  
 INSULATION RESISTANCE: 5k M Ohms min.  
 RF LEAKAGE: -90 dB Min. between 2 and 3 GHz  
 RF HIGH POTENTIAL: 1k VRMS @ 5~7.5 MHz



1	BODY	1	BRASS	NICKEL, 100 μ"
2	PIN	1	PHOS. B	GOLD, 5 μ"
3	INSULATOR	1	PTFE	N/A
4	R/RING	1	PHOS. B	N/A
5	GASKET	1	S.R.	RED
6	G/RING	1	BRASS	NICKEL, 100 μ"
7	COUPLING NUT	1	BRASS	NICKEL, 100 μ"
8	FERRULE	1	BRASS	NICKEL, 100 μ"
9				
10				
11				
12				
13				
14				

000000	
DRAWN	JDMc
CHECKED	3/31/17
ORJ DRAWN	JDMc
	7/11/06

UNLESS OTHERWISE SPECIFIED:  
 1. REMOVE ALL BURRS  
 2. BREAK ALL CORNERS & EDGES .005 R. MAX.  
 3. CHAMFER 1ST & LAST THREADS 45°  
 4. SURFACE ROUGHNESS 63 FINISH MIL-STD-10  
 5. DIAMETERS ON COMMON CENTERS TO BE CONCENTRIC WITHIN .002 T.I.R.  
 6. ALL DIMENSIONS ARE AFTER PLATING.

DIMENSIONS ARE IN INCHES AND [MILLIMETERS]  
 UNLESS OTHERWISE NOTED TOLERANCES ARE:  
 DECIMALS .XXX±.003 [.08]  
 .XX±.005 [.13]  
 DIAMETER .XXX±.001 [.03]  
 .XX±.003 [.08]

**RFconnectors**  
 DIVISION OF RF INDUSTRIES, LTD.  
 7610 MIRAMAR RD  
 SAN DIEGO, CA 92126  
 (858) 549-6340  
 (858) 549-6345 FAX

**N PLUG CRIMP**

CAPTIVE PIN, LMR-240

SIZE	CABLE GROUP	DWG NO.	REV
A	X	RFN-1006-8X	A1
SCALE:	NTS	CAD FILE	OUTLINE
		SHEET 1 OF 1	