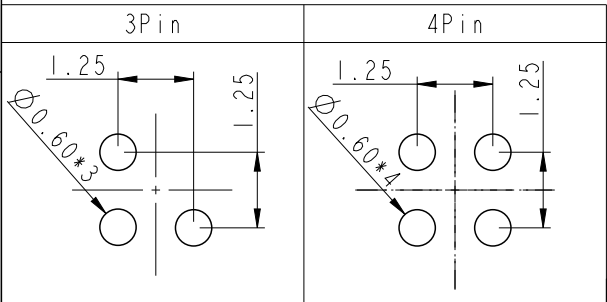
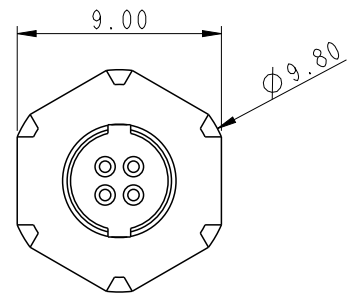
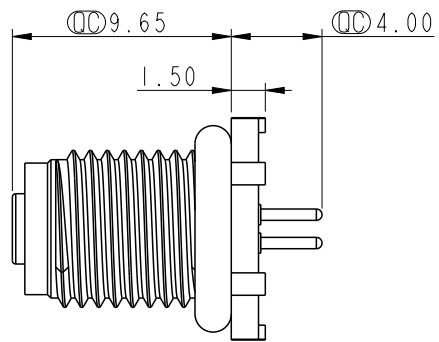
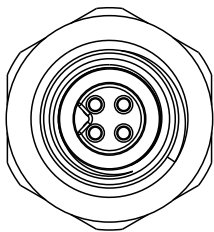


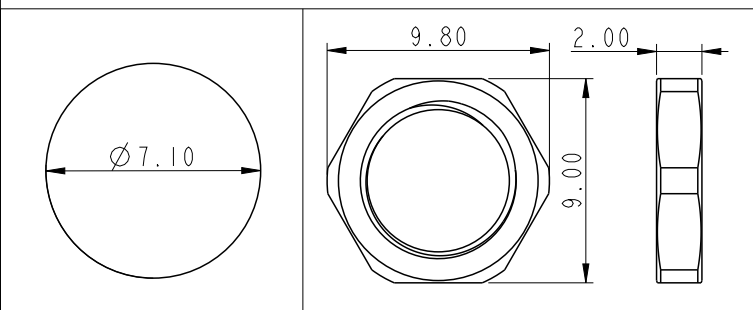
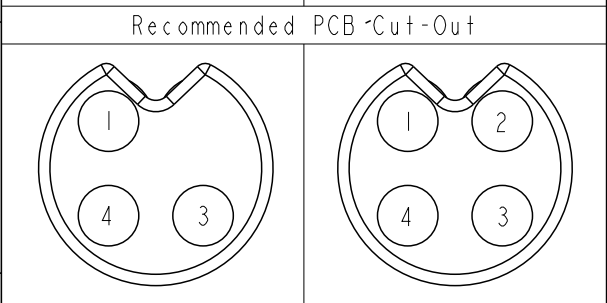
THIS DOCUMENT IS SUBJECT TO CHANGE WITHOUT NOTICE. IT IS CONFIDENTIAL AND A PROPERTY OF Amphenol LTW. DISCLOSURE TO THIRD PARTY HAS TO BE AUTHORIZED BY Amphenol LTW.

REV.	ECN NO.	DATE	SIGN	DESCRIPTION
A	-	2021/10/20	Allen	New Initial.



M5-XXPFFP-SF7001  
 XX:NO.OF Pin

- Note
- \*  $\varnothing$  Important Dimension To Check
  - \* Waterproof Rate: IPX7, Unmated.
  - \* Connector
    - Housing: Thermoplastic, Black.
    - Pin: Copper Alloy, Gold Plated.
    - O-Ring: Rubber, Green.
  - \* Shield: Metal.
  - \* Nut: Metal.
  - \* O-Ring: Rubber, Gray.
  - \* For Panel Thickness Max 4.0mm.
  - \* Recommend pcb thickness: 1.6mm.
  - \* Nut are packed separately in PE bags.
  - \* RoHS Compliant.



Pin Assignments Front View

Recommended Panel Cut-Out

UNIT:mm		TITLE	N SEN, M5, SCREW RECEPTACLE, F, PCB S		
TOLERANCE		SCALE	3:1	SIZE	A4
.X ±0.25		REV.	A	WC-REV.	.0
.XX ±0.1		$\varnothing$ : Inspection item			
.XXX ±0.05		SHEET	1	OF	1
ANGLES ±1°					

**Amphenol LTW**  
 安費諾亮泰企業股份有限公司

ITEM NO	DRAWN BY	DATE
	Allen	2021/10/20
DWG NO	CHECKED BY	DATE
M5-XXPFFP-SF7001	Wen	2021/10/20
CUSTOMER	APPROVED BY	DATE
ALTW	Neo	2021/10/20