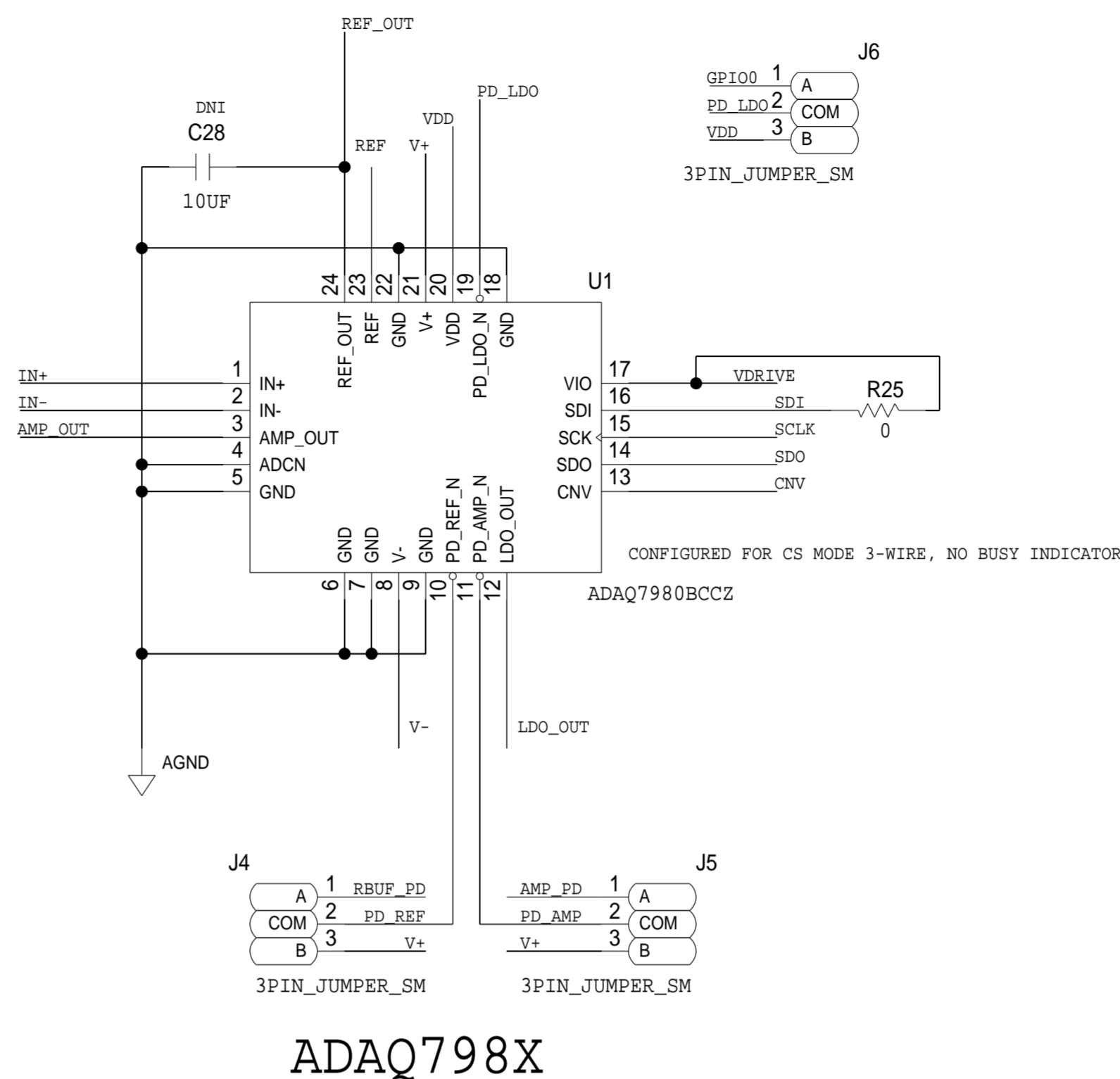
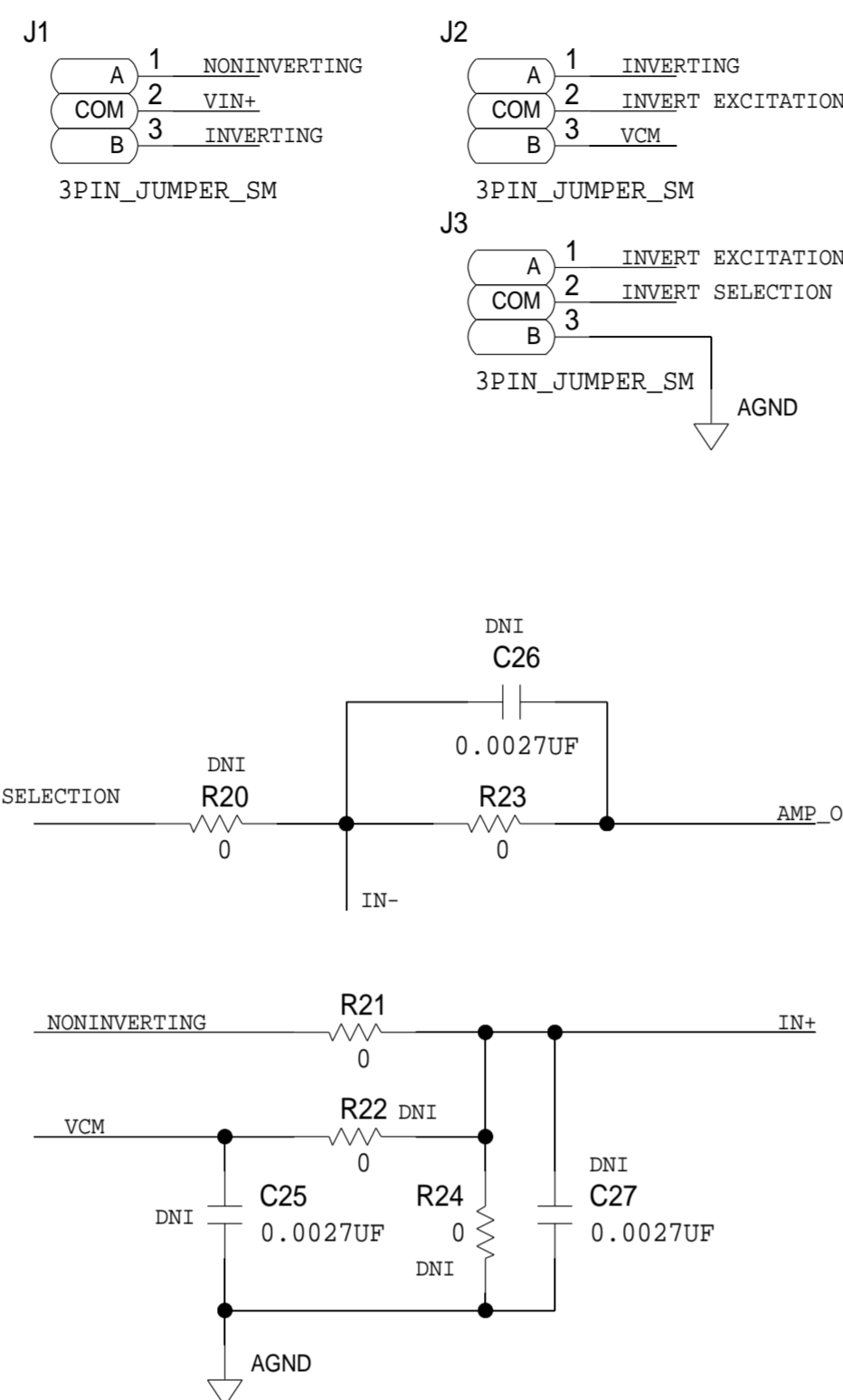
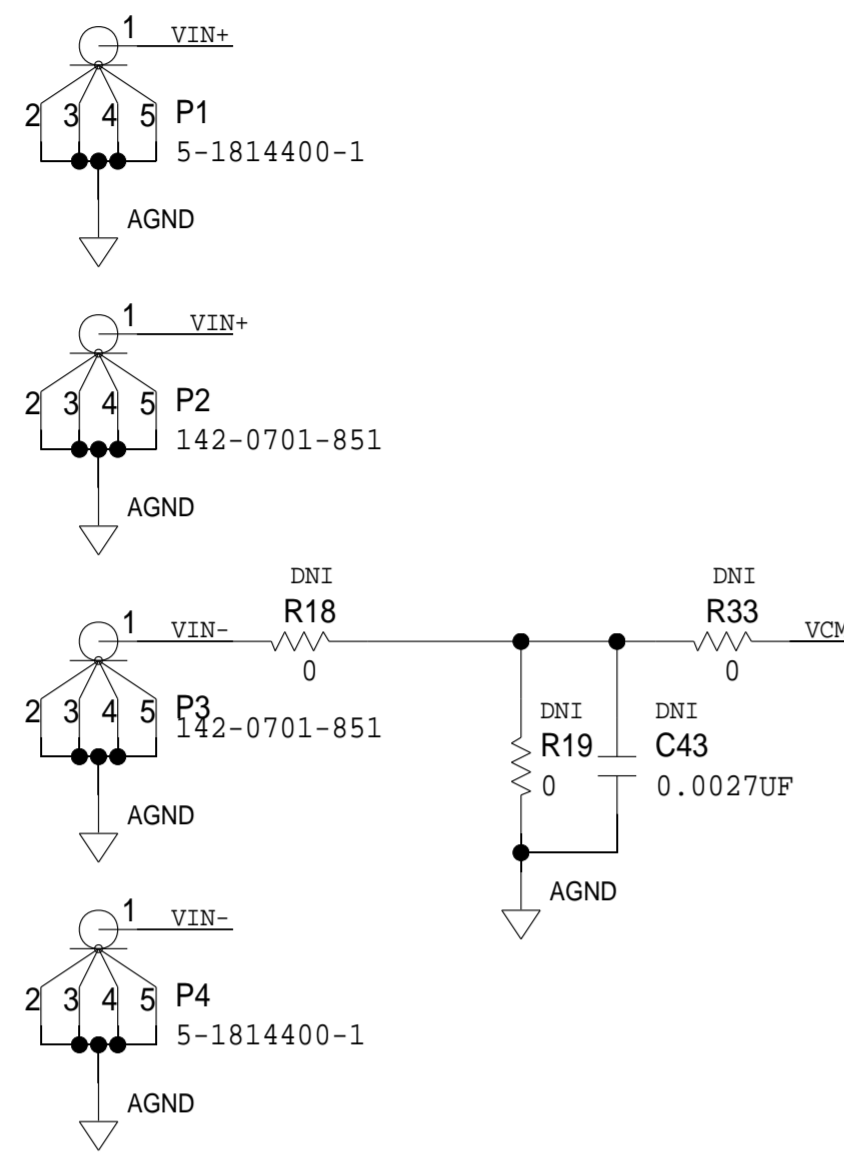


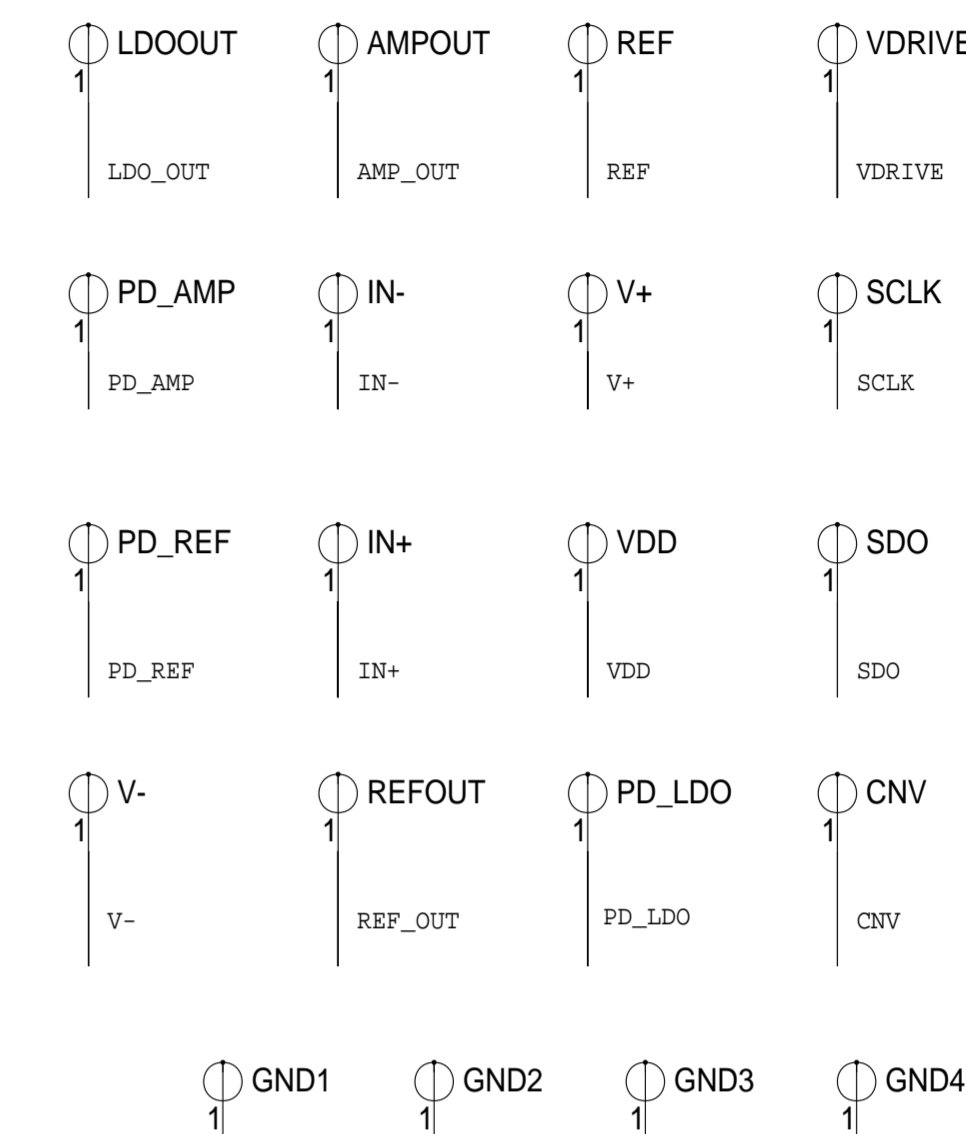
FEEDBACK LOOP AND INPUT CONNECTIONS

| REVISIONS | | | |
|-----------|-------------|------|----------|
| REV | DESCRIPTION | DATE | APPROVED |
| | | | |

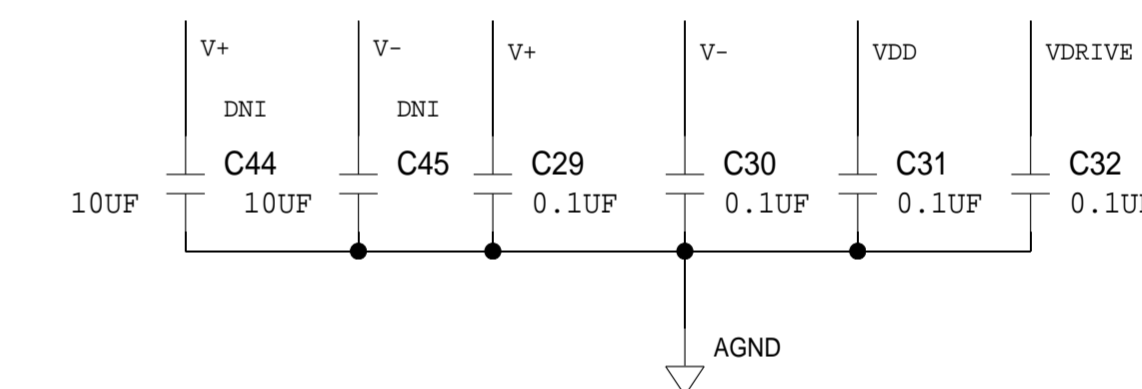
INPUT SMA CONNECTORS



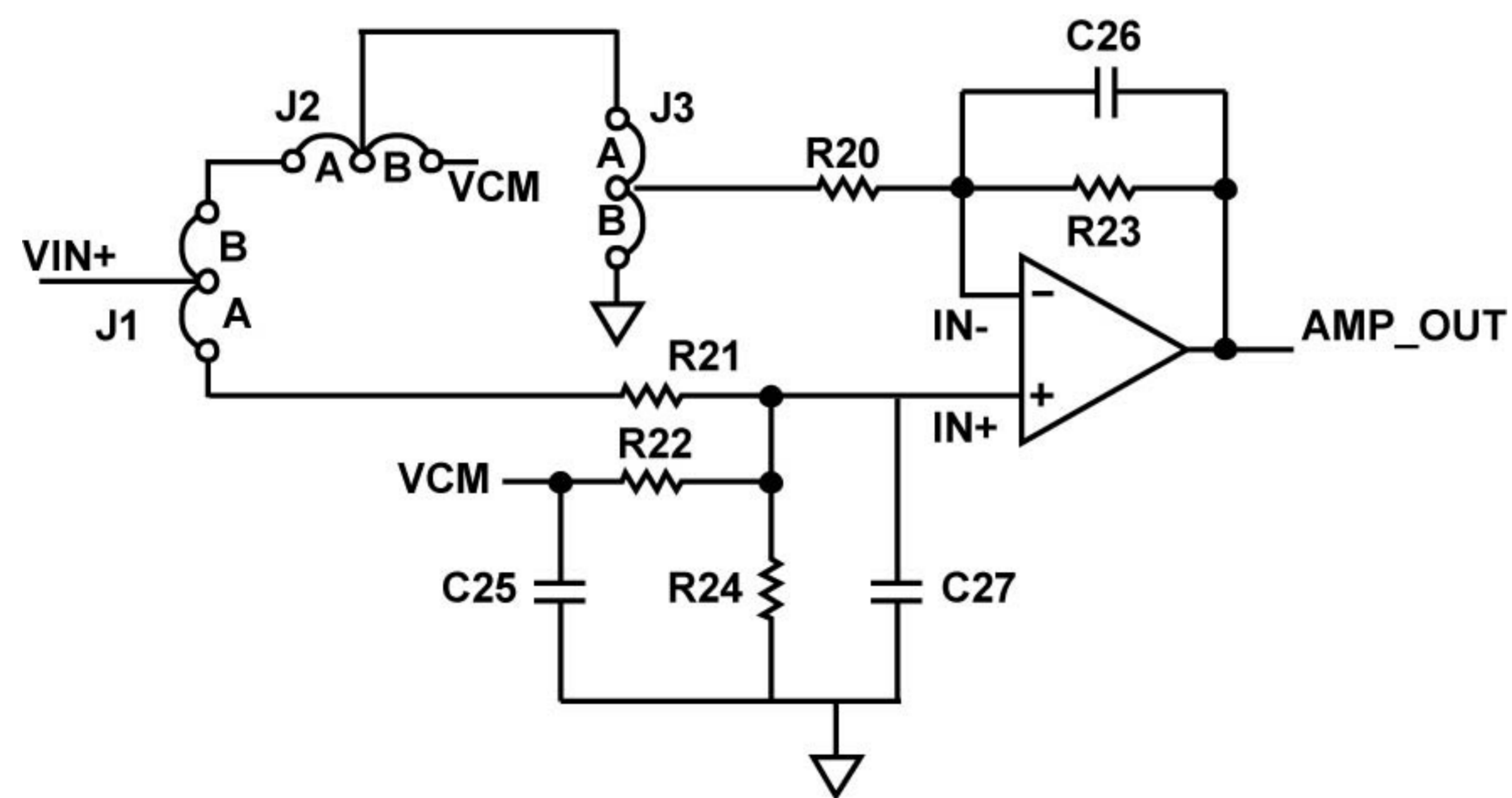
TEST POINTS



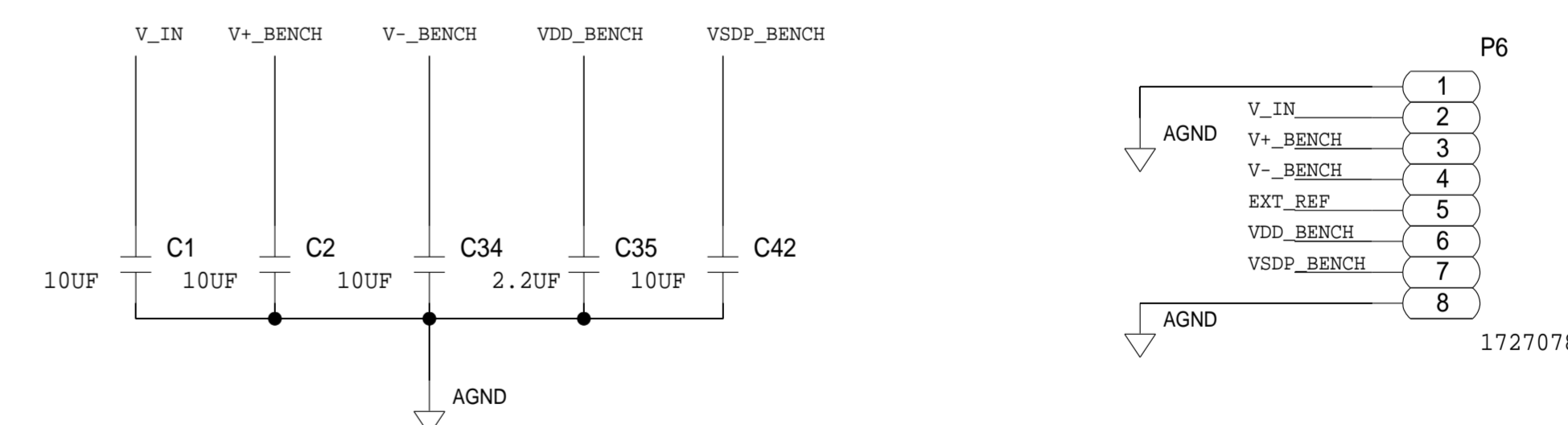
SUPPLY DECOUPLING



ADC DRIVER CONNECTION DIAGRAM



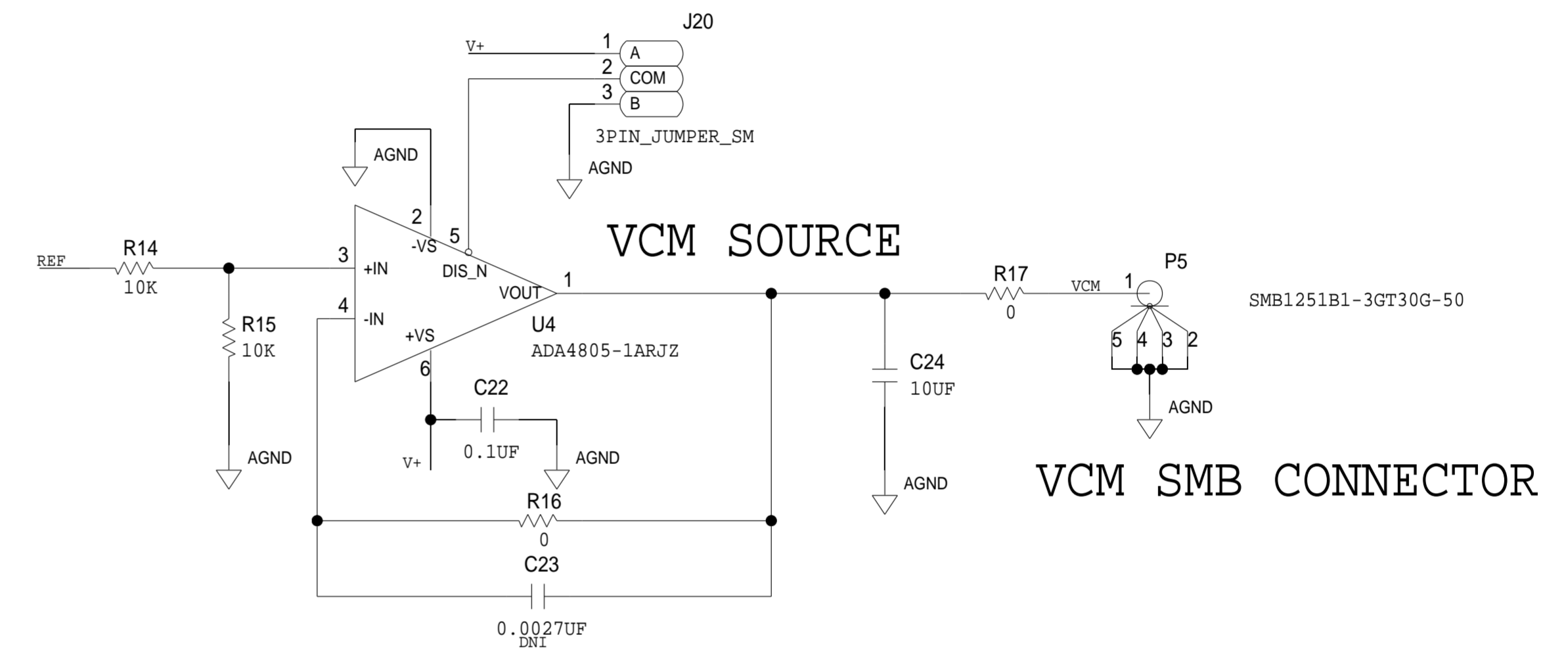
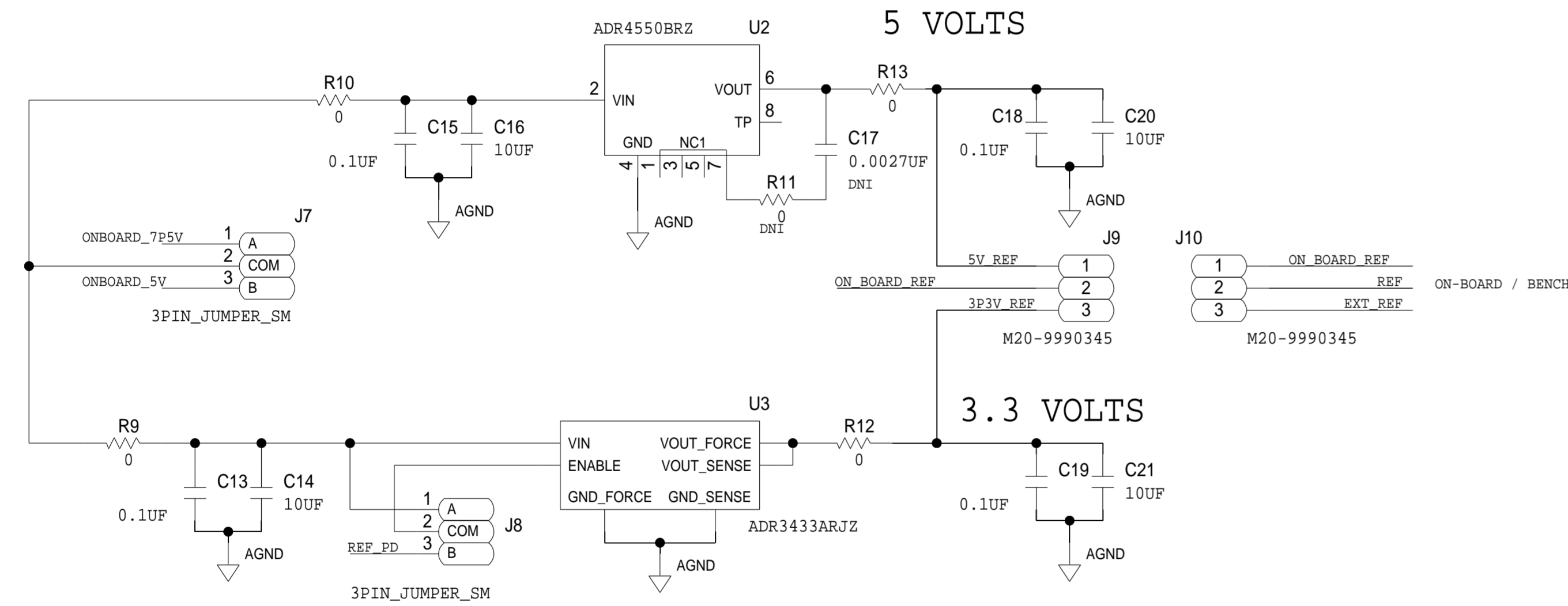
8 PIN TERMINAL BLOCK FOR EXTERNAL CONNECTIONS



| | | | | |
|--|--|--------------------------|--------------|--------------|
| | SCHEMATIC | | | |
| | HW TYPE : Customer Evaluation Product(s) : EVAL-ADAQ7980SDZ | | | |
| | DESIGN VIEW <DESIGN_VIEW> | DRAWING NO. 02-041064 | REV C | |
| | PTD ENGINEER Ryan Curran | SIZE D | SCALE 1:1 | SHEET 1 OF 5 |

| REVISIONS | | | |
|-----------|-------------|------|----------|
| REV | DESCRIPTION | DATE | APPROVED |
| | | | |

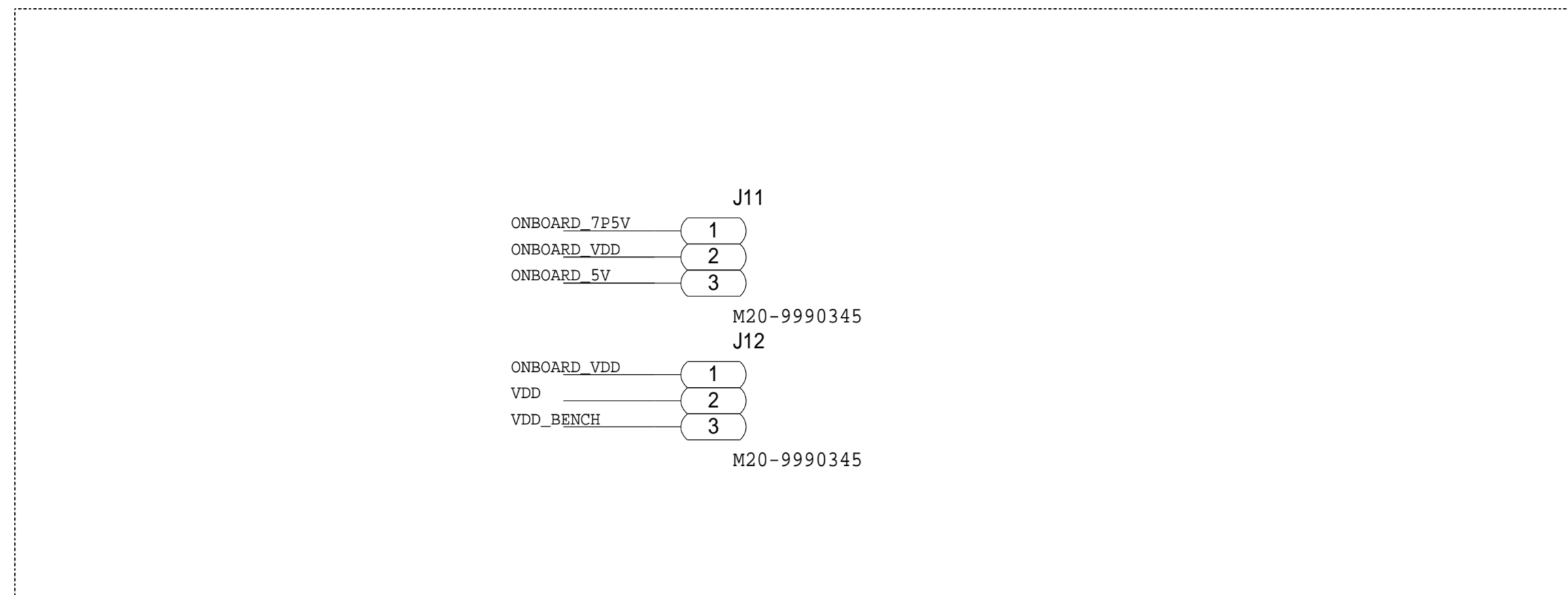
REFERENCE SOURCES



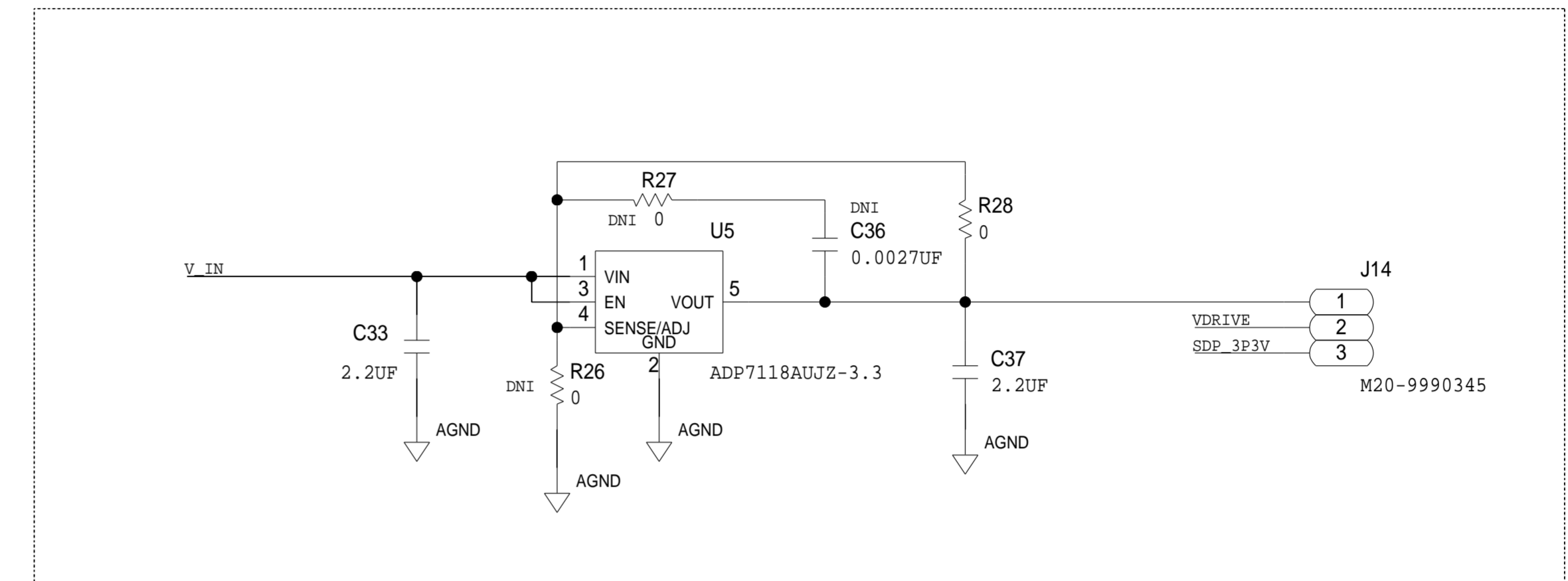
| | | | |
|--|--|--------------------------|--------------|
| | SCHEMATIC | | |
| | HW TYPE : Customer Evaluation Product(s) : EVAL-ADAQ7980SDZ | | |
| | DESIGN VIEW <DESIGN_VIEW> | DRAWING NO. 02-041064 | REV C |
| | PTD ENGINEER Ryan Curran | SIZE D | SCALE 1:1 |
| | | SHEET 2 OF 5 | |

| REVISIONS | | | |
|-----------|-------------|------|----------|
| REV | DESCRIPTION | DATE | APPROVED |
| | | | |

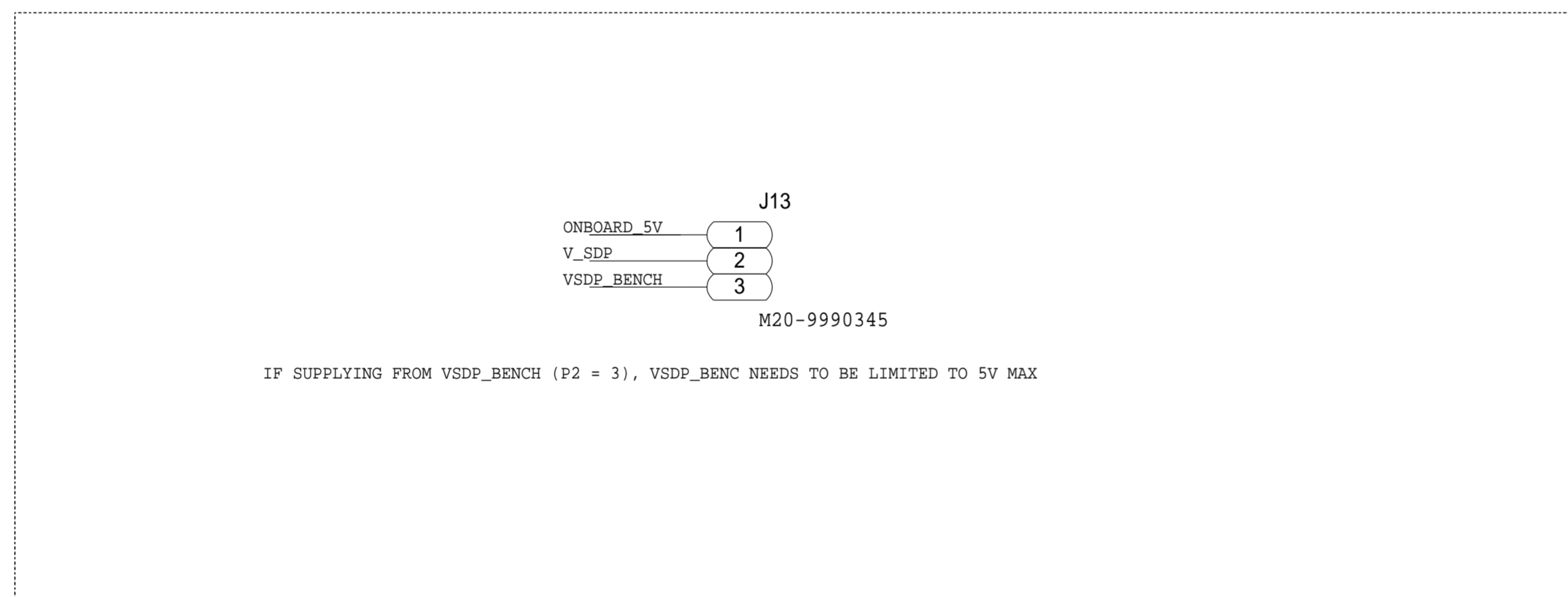
VDD SUPPLY



VDRIVE SUPPLY



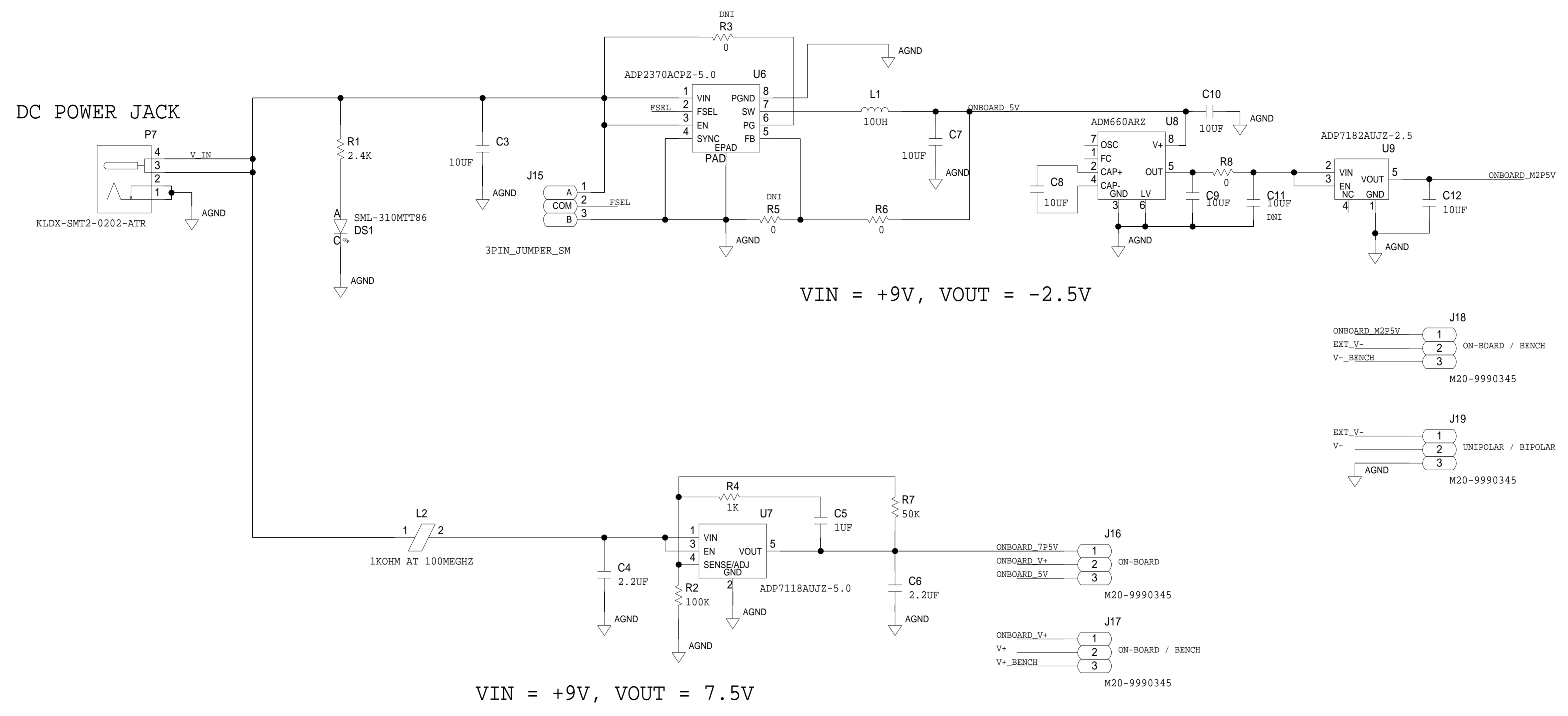
SDP SUPPLY



| | | | |
|--------------|---|--------------------------|--------------|
| | SCHEMATIC | | |
| | HW TYPE : Customer Evaluation Product(s): EVAL-ADAQ7980SDZ | | |
| | DESIGN VIEW <DESIGN_VIEW> | DRAWING NO. 02-041064 | REV C |
| | PTD ENGINEER Ryan Curran | SIZE D | SCALE 1:1 |
| SHEET 3 OF 5 | | | |

| REVISIONS | | | |
|-----------|-------------|------|----------|
| REV | DESCRIPTION | DATE | APPROVED |
| | | | |

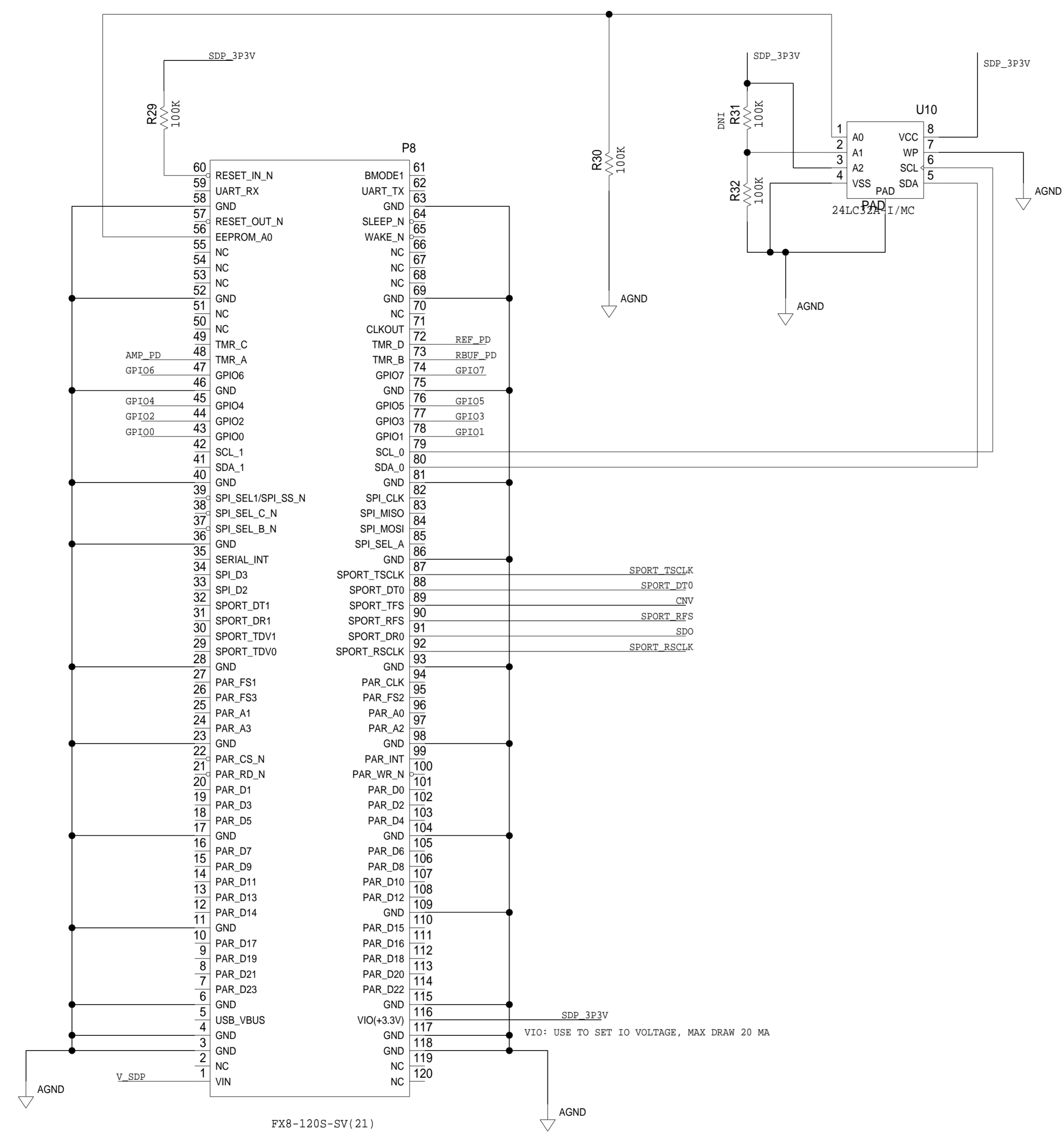
POWER SUPPLY FOR AMPLIFIERS



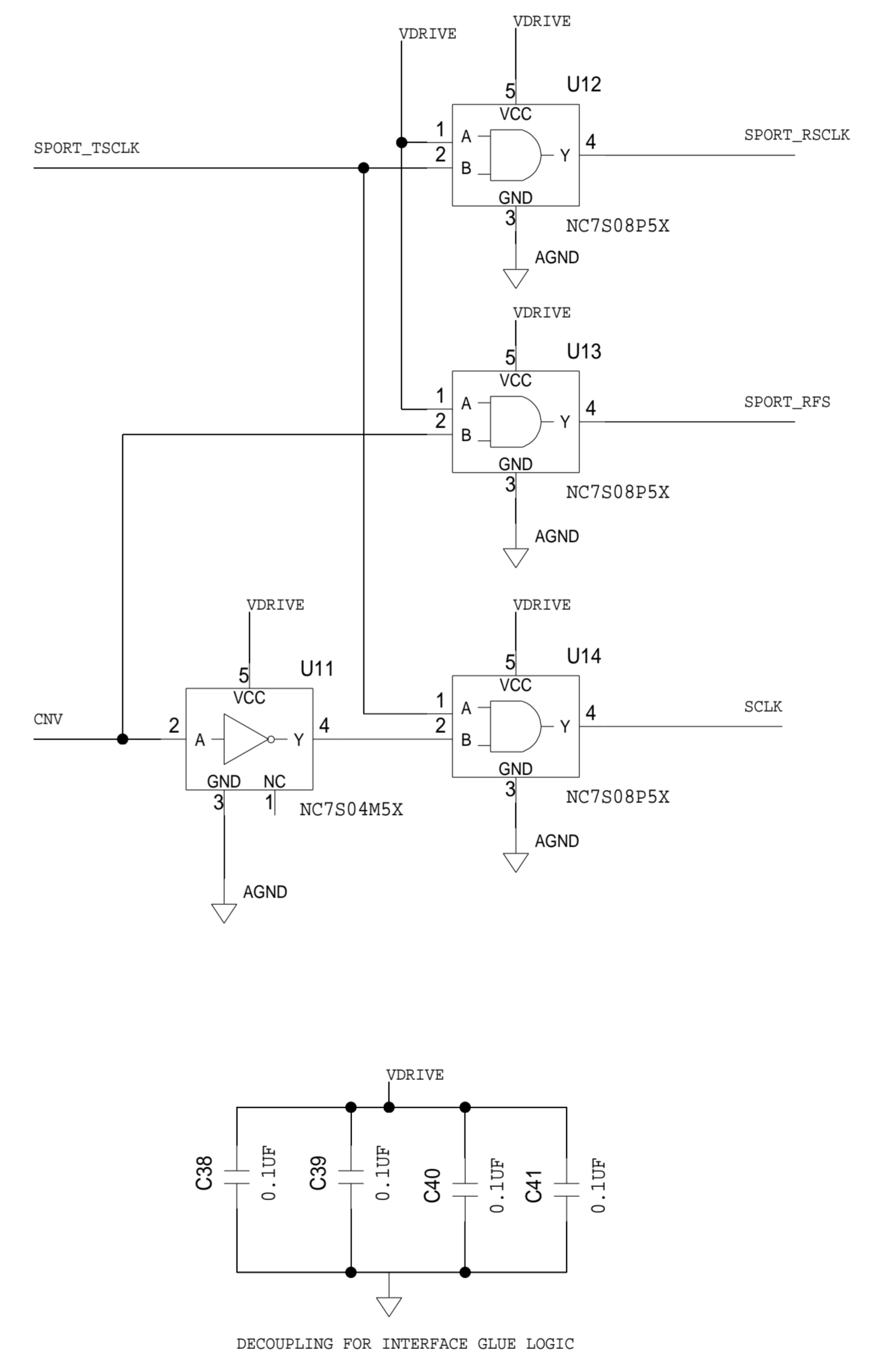
| | | | |
|---|---|--------------------------|--------------|
| <p>THIS DRAWING IS THE PROPERTY OF ANALOG DEVICES INC. IT IS NOT TO BE REPRODUCED OR COPIED, IN WHOLE OR IN PART, OR USED IN FURNISHING INFORMATION TO OTHERS, OR FOR ANY OTHER PURPOSE DETRIMENTAL TO THE INTERESTS OF ANALOG DEVICES. THE EQUIPMENT SHOWN HEREON MAY BE PROTECTED BY PATENTS OWNED OR CONTROLLED BY ANALOG DEVICES.</p> | SCHEMATIC | | |
| | HW TYPE : Customer Evaluation Product(s): EVAL-ADAQ7980SDZ | | |
| | DESIGN VIEW <DESIGN_VIEW> | DRAWING NO. 02-041064 | REV C |
| | PTD ENGINEER Ryan Curran | SIZE D | SCALE 1:1 |

| REVISIONS | | | |
|-----------|-------------|------|----------|
| REV | DESCRIPTION | DATE | APPROVED |
| | | | |

SDP CONNECTOR



INTERFACE GLUE LOGIC



| | | | |
|------------------------------|--|--------------|--------------|
| | SCHEMATIC | | |
| | HW TYPE : Customer Evaluation Product(s) : EVAL-ADAQ7980SDZ | | |
| DESIGN VIEW <DESIGN_VIEW> | DRAWING NO. 02-041064 | REV C | |
| PTD ENGINEER Ryan Curran | SIZE D | SCALE 1:1 | SHEET 5 OF 5 |