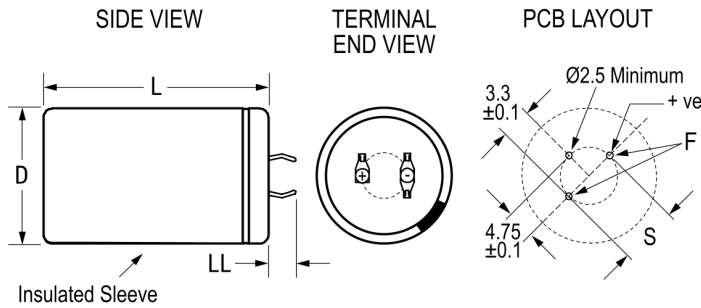


ALC70F121BB450

Aliases (A546CD121M450F)

ALC70, Aluminum Electrolytic, 120 uF, 20%, 450 VDC, -40/+85°C



General Information

Series	ALC70
Dielectric	Aluminum Electrolytic
Description	Snap-In, Aluminum Electrolytic
RoHS	Yes
Lead	3 Pin Short
AEC-Q200	No
Halogen Free	Yes
Component Weight	28 g
Notes	Dimensions D And L Include Sleevings.
Shelf Life	156 Weeks

Specifications

Capacitance	120 uF
Capacitance Tolerance	20%
Voltage DC	450 VDC, 495 VDC (Surge)
Temperature Range	-40/+85°C
Rated Temperature	85°C
Life	10000 Hrs (Rated Voltage And Ripple Current At 85C), 16000 Hrs (Rated Voltage at 85C)
Resistance	1165 mOhms (100Hz 20C), 654 mOhms (10kHz 20C)
Ripple Current	0.926 Amps (100Hz 85C), 2.247 Amps (10kHz 85C)
Leakage Current	324 uA (5min 20°C)

Click [here](#) for the 3D model.

Dimensions

D	25mm +1mm
L	30mm +/-2mm
S	10mm +/-0.1mm
LL	4mm +/-1mm
F	2mm +/-0.1mm

Packaging Specifications

Sleevings	Yes
Packaging	Bulk, Bag

Statements of suitability for certain applications are based on our knowledge of typical operating conditions for such applications, but are not intended to constitute - and we specifically disclaim - any warranty concerning suitability for a specific customer application or use. This information is intended for use only by customers who have the requisite experience and capability to determine the correct products for their application. Any technical advice inferred from this information or otherwise provided by us with reference to the use of our products is given gratis, and we assume no obligation or liability for the advice given or results obtained.