



Electrical specifications

Center Frequency: 988.5 MHz
Insertion loss: <1.8 dB@988.5 MHz
BW (passband): 45 MHz <1.8 dB
Rejection 1: >45 dBc@955 MHz
Rejection 2: >45 dBc@1019.5 MHz
Impedance: 50 Ohms In/Out
Power Handling: 15 dB min

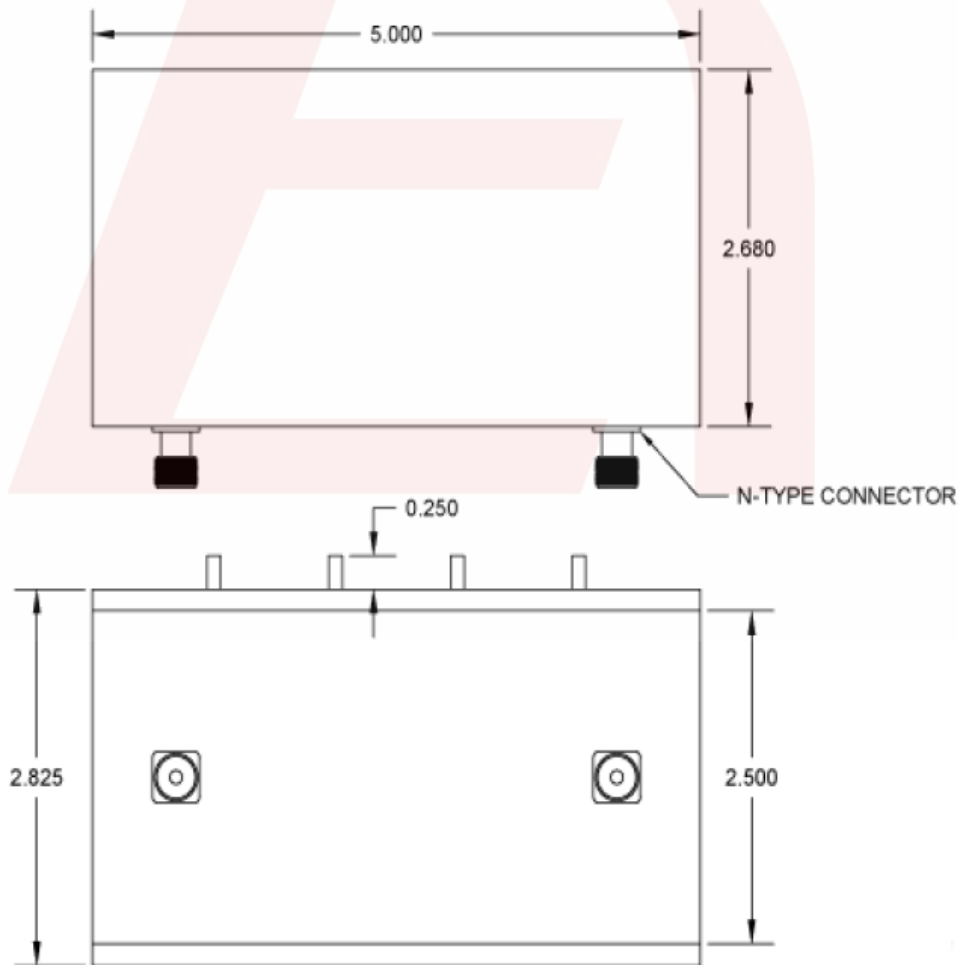
Mechanical

Mounting Method: Threaded Mounting Holes
Connector Type: N Female
Dimensions: 5.00" X 2.60" X 2.50" in

Environmental

Operating Temperature: -45 to +85° C
Storage Temperature: -55 to +95° C
Shock: 20 G. 11ms
Vibration: 20 G. 5 to 200 MHz

Outline Drawing:





ANATECH ELECTRONICS INC
RF & Microwave Filters & Products

988.5 MHz Cavity Bandpass Filter

Part Number: AB988B929



Plot:

