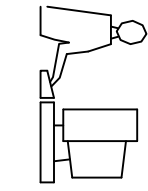
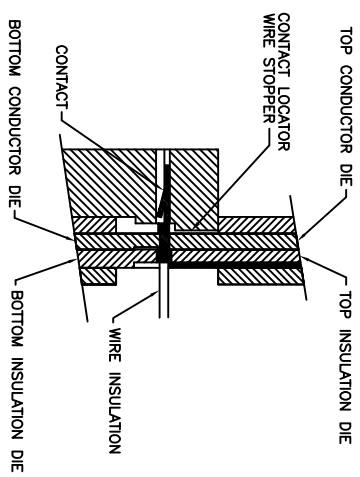
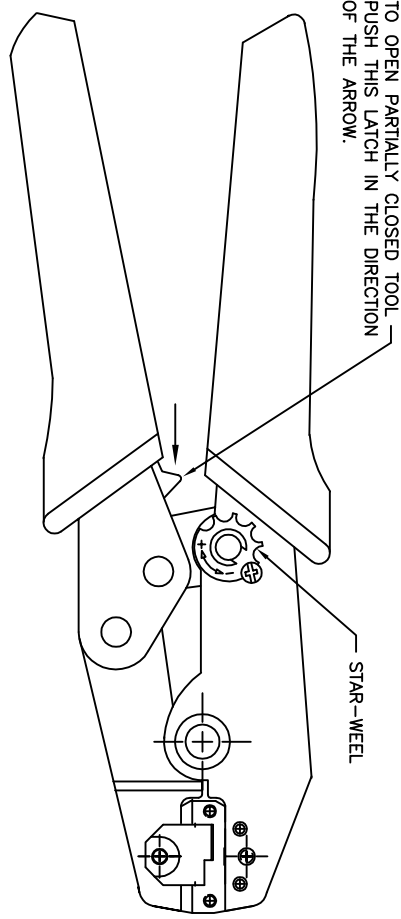


THIS IS A C.A.D. GENERATED DRAWING
DO NOT MAKE MANUAL REVISIONS TO MASTER.



ISSUE NUMBER
ORIGINAL
①

TO OPEN PARTIALLY CLOSED TOOL
PUSH THIS LATCH IN THE DIRECTION
OF THE ARROW.

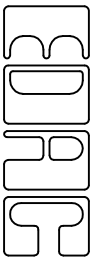


SECTION THROUGH DIE NEST
WITH CONTACT IN POSITION

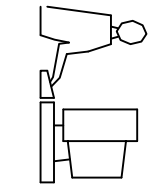
NOTES:

- | | |
|----------|----------------|
| WIRE AWG | CRIMP STRENGTH |
| 22 AWG | 11.0 LBS |
- 1- THIS HAND TOOL IS DESIGNED FOR CRIMPING 22 AWG WIRES TO EDAC CONTACT P/N CC0-290-028.
 - 2- RISK OF ELECTRIC SHOCK- DO NOT USE THIS ON LIVE WIRE.
 - 3- CRIMPING INSTRUCTIONS:
 - OPEN THE TOOL, PLACE THE CONTACT INTO THE CORRECT DIE NEST.
 - PARTIALLY CLOSE THE TOOL UNTIL THE CONTACT IS HELD IN PLACE. INSERT THE WIRE INTO THE CONTACT.
 - CLOSE THE TOOL UNTIL THE RATCHET RELEASES. REMOVE THE CRIMPED CONTACT.
 - 4- ADJUSTMENT OF CRIMP FORCE (WHEN NECESSARY):
 - LOOSEN THE SCREW
 - ADJUST THE STAR-WHEEL BY TURNING FROM (-) TO(+).
 - CHECK THE PRELOAD AND THE CRIMP FORCE.
- TOOL PART NUMBER: CC0-280-201

CC0 SERIES HAND CRIMP TOOL INSTRUCTIONS

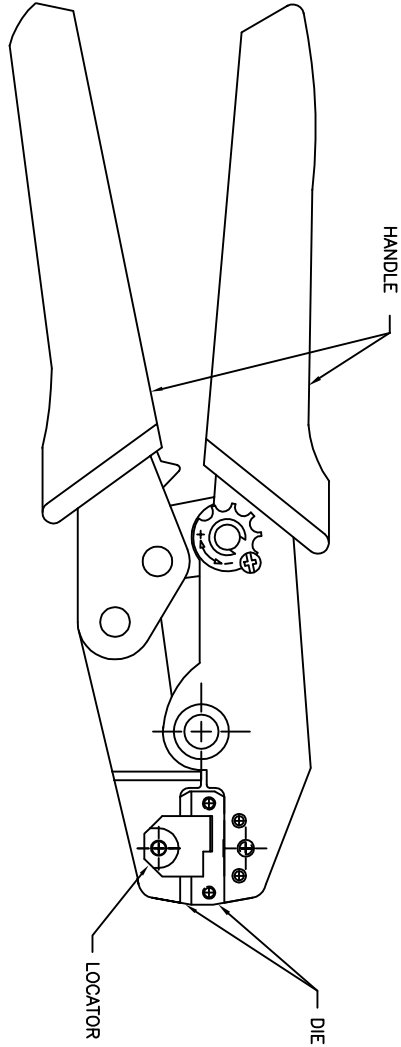
 EDAC INC TORONTO, ONTARIO CANADA YOUR CONNECTION TO QUALITY & SERVICE		THESE DRAWINGS AND SPECIFICATIONS ARE THE PROPERTY OF EDAC INC. AND SHALL NOT BE REPRODUCED, OR COPIED OR USED AS THE BASIS FOR THE MANUFACTURE OR SALE OF APPARATUS WITHOUT WRITTEN PERMISSION.	
		ACAD REFERENCE NO.	CC0-280-201
DRAWN: K.L.		DATE: AUG. 17/2020	
CHECKED: R.S.M.		DATE: AUG. 17/2020	
SCALE: N.T.S.	SHEET 1 OF 2	DRAWING NUMBER	
CC0-280-201		ISSUE 1	

THIS IS A C.A.D. GENERATED DRAWING
DO NOT MAKE MANUAL REVISIONS TO MASTER.



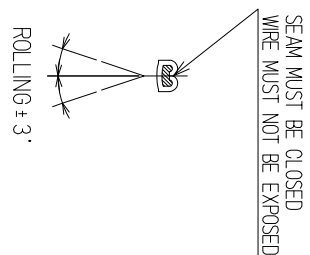
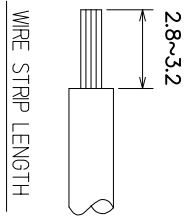
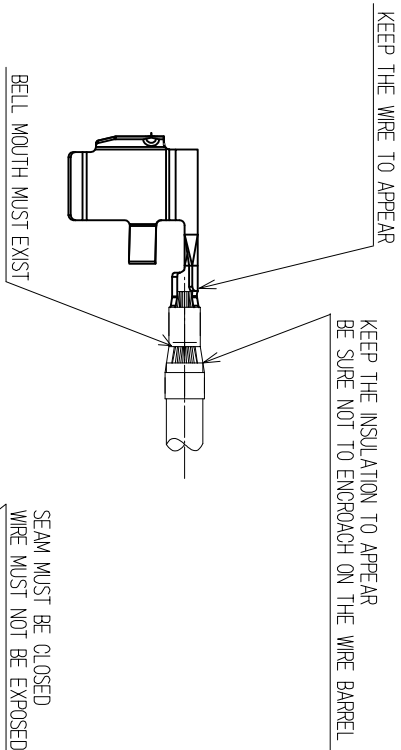
ISSUE NUMBER
ORIGINAL

1



CRIMP ASM*	HANDLE	DIES	LOCATOR
CCO-280-201	565-281-001	565-281-002	CC0A281-003

* Assembly includes: Handle, Die and Locator. Parts are available for purchase separately.



CCO SERIES HAND CRIMP TOOL INSTRUCTIONS

EDAC INC
TORONTO, ONTARIO
CANADA
YOUR CONNECTION TO QUALITY & SERVICE

THESE DRAWINGS AND SPECIFICATIONS ARE THE PROPERTY OF EDAC INC. AND SHALL NOT BE REPRODUCED, OR COPIED OR USED AS THE BASIS FOR THE MANUFACTURE OR SALE OF APPARATUS WITHOUT WRITTEN PERMISSION.

ACAD REFERENCE NO.	CCO-280-201
DRAWN: K.L.	DATE: AUG. 17/2020
CHECKED: R.S.M.	DATE: AUG. 17/2020
SCALE: N.T.S.	SHEET 2 OF 2
DRAWING NUMBER	ISSUE
CCO-280-201	1