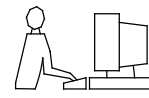
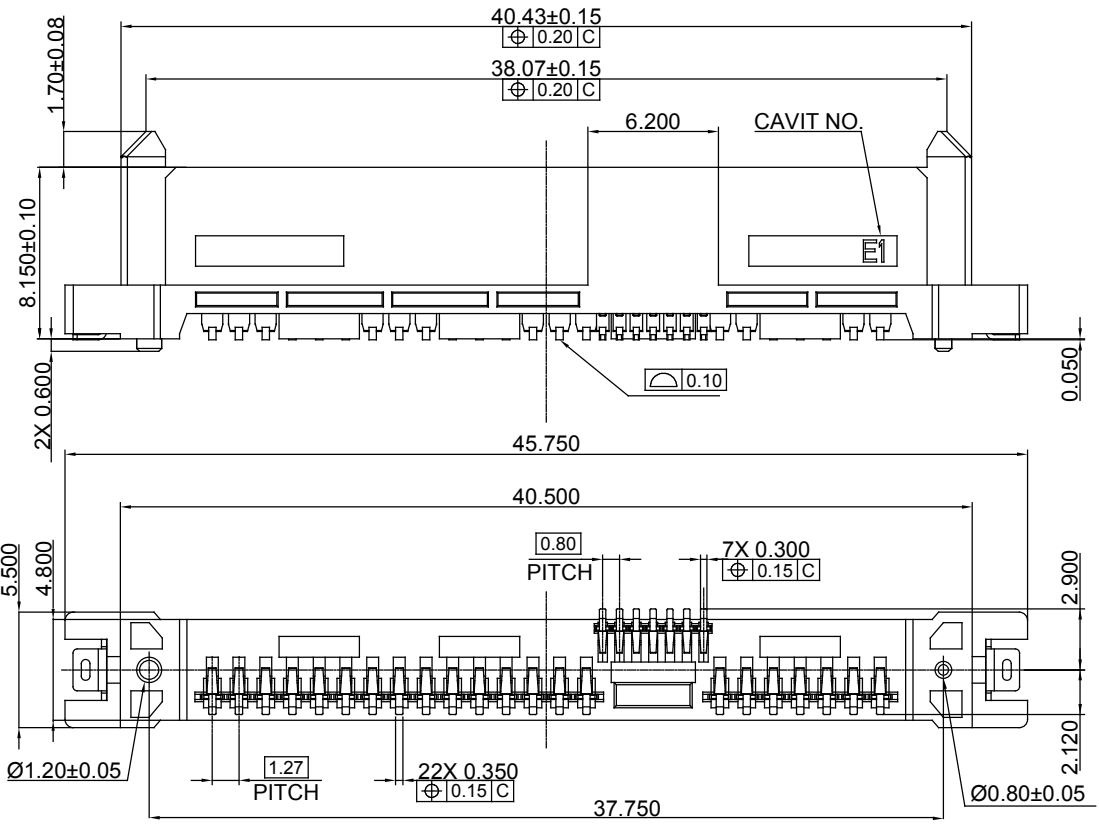
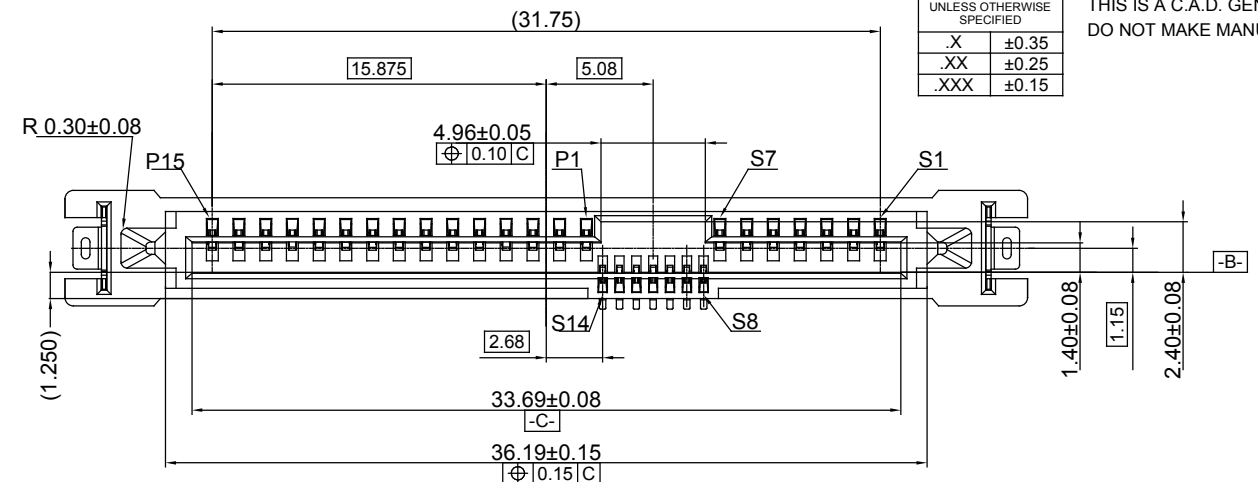


THIS IS A C.A.D. GENERATED DRAWING  
DO NOT MAKE MANUAL REVISIONS TO MASTER.

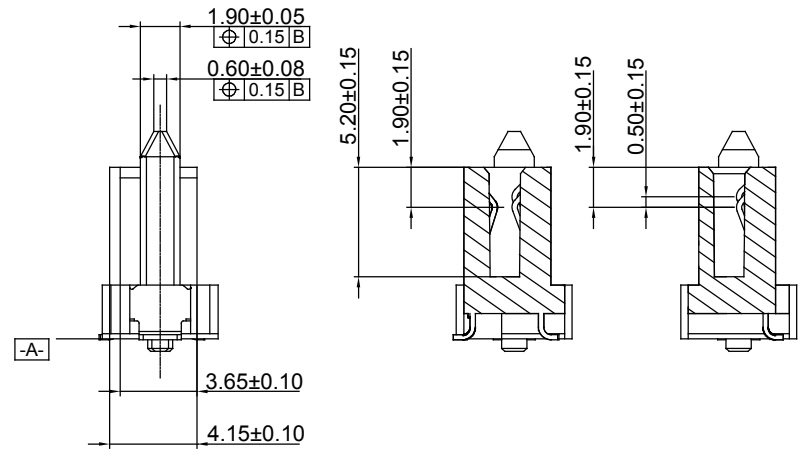


TOLERANCE UNLESS OTHERWISE SPECIFIED	
.X	±0.35
.XX	±0.25
.XXX	±0.15



NOTES:

MATERIAL: L.C.P GLASS FILLED, UL-94V-0  
 HOUSING: COPPER ALLOY,  
 CONTACT: GOLD FLASH PLATING ON CONTACT AREA  
 MATTE TIN PLATING ON SOLDER TAIL OVER  
 NICKEL UNDER PLATING



NO.	DESCRIPTION	QTY.	MATERIAL	FINISH/COLOR
5	LATCH	2	COPPER ALLOY	TIN 100~200 μ"
4	PITCH 0.80 CONTACT	7	COPPER ALLOY	SEE NOTES
3	PITCH 1.27 CONTACT	22	COPPER ALLOY	SEE NOTES
2	CAP	1	GLASS FILLED LCP, UL94 V-0	BLACK
1	HOUSING	1	GLASS FILLED LCP, UL94 V-0	BLACK

SAS CONNECTOR, VERTICAL SMT,  
 29 CONTACTS, FEMALE

ACAD REFERENCE NO.: 273-029-629-002	
DRAWN: W.T	DATE: JULY.03 /2018
CHECKED:	DATE:
SCALE: N.T.S	SHEET 1 OF 2
DRAWING NUMBER: 273-029-629-002	ISSUE
PART NUMBER: 273-029-629-002	1



THIS SERIES FULLY CONFORMS TO  
 THE EUROPEAN UNION DIRECTIVES  
 2011/65/EU FOR RoHS COMPLIANCY.



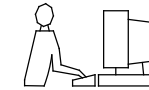
EDAC INC  
 TORONTO, ONTARIO  
 CANADA  
 YOUR CONNECTION TO QUALITY & SERVICE

THESE DRAWINGS AND SPECIFICATIONS  
 ARE THE PROPERTY OF EDAC INC., AND  
 SHALL NOT BE REPRODUCED, OR COPIED  
 OR USED AS THE BASIS FOR THE  
 MANUFACTURE OR SALE OF APPARATUS  
 WITHOUT WRITTEN PERMISSION.

TOLERANCE  
UNLESS OTHERWISE  
SPECIFIED

.X	±0.35
.XX	±0.25
.XXX	±0.15

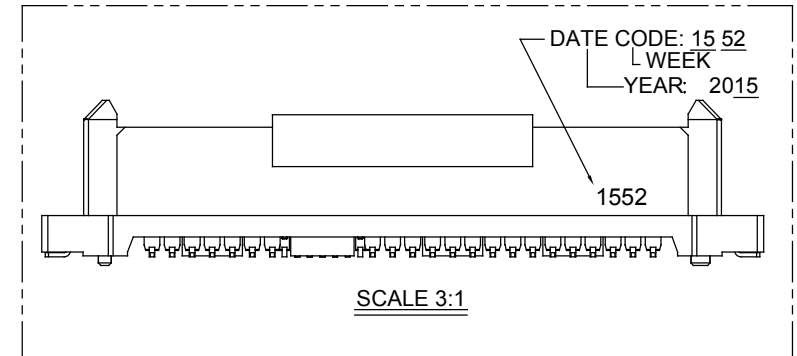
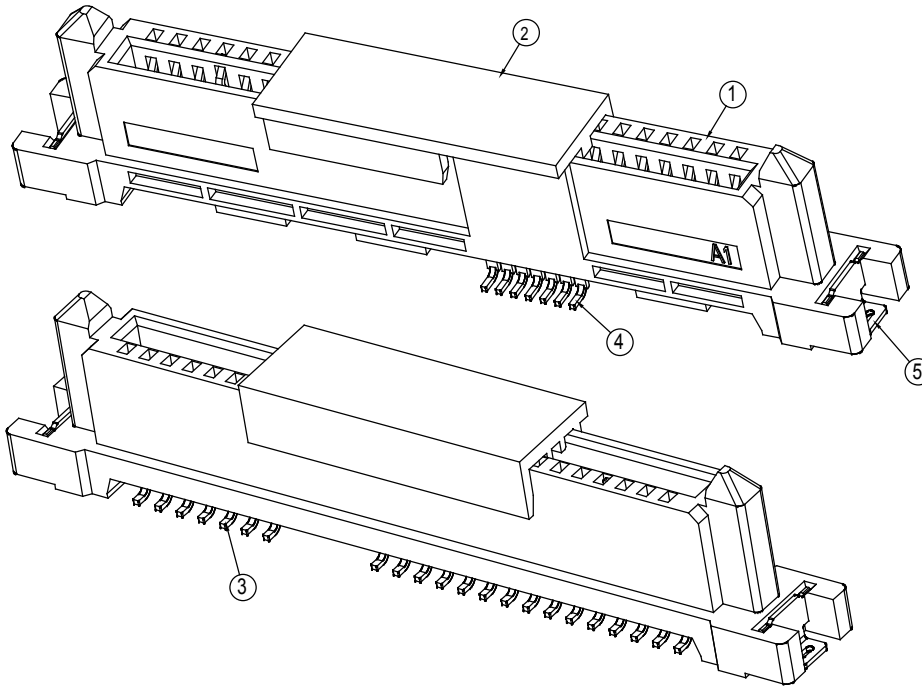
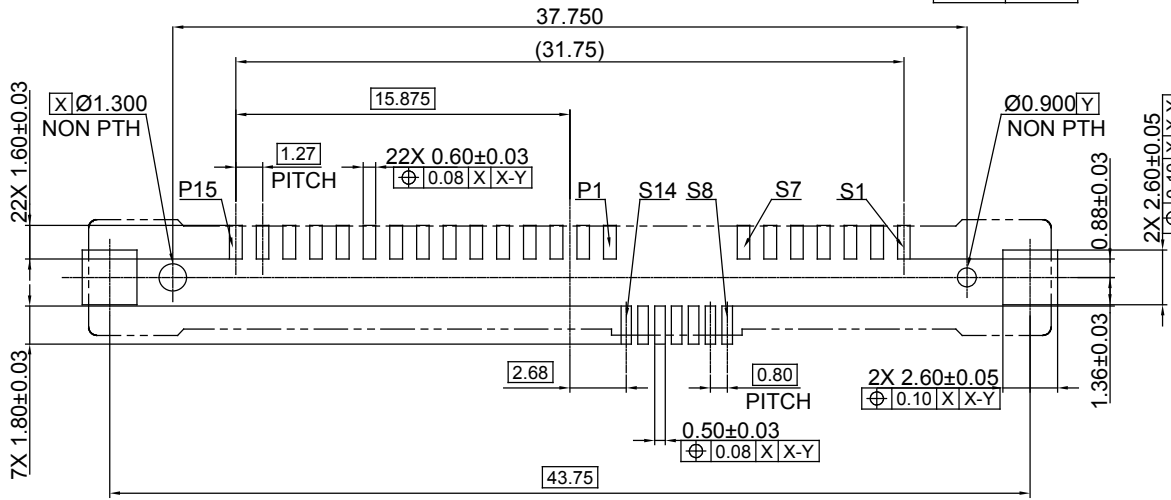
THIS IS A C.A.D. GENERATED DRAWING  
DO NOT MAKE MANUAL REVISIONS TO MASTER.



ISSUE NUMBER

ORIGINAL

①



NO.	DESCRIPTION	QTY.	MATERIAL	FINISH/COLOR
5	LATCH	2	COPPER ALLOY	TIN 100~200 μ"
4	PITCH 0.80 CONTACT	7	COPPER ALLOY	SEE NOTES
3	PITCH 1.27 CONTACT	22	COPPER ALLOY	SEE NOTES
2	CAP	1	GLASS FILLED LCP, UL94 V-0	BLACK
1	HOUSING	1	GLASS FILLED LCP, UL94 V-0	BLACK

SAS CONNECTOR, VERTICAL SMT,  
29 CONTACTS, FEMALE

ACAD REFERENCE NO.: 273-029-629-002

DRAWN: W.T

DATE: JULY.03 /2018

CHECKED:

DATE:

SCALE: N.T.S

SHEET 2 OF 2

DRAWING NUMBER: 273-029-629-002

ISSUE

PART NUMBER: 273-029-629-002

1



THIS SERIES FULLY CONFORMS TO  
THE EUROPEAN UNION DIRECTIVES  
2011/65/EU FOR RoHS COMPLIANCY.



YOUR CONNECTION TO QUALITY & SERVICE

EDAC INC  
TORONTO, ONTARIO  
CANADA

THESE DRAWINGS AND SPECIFICATIONS  
ARE THE PROPERTY OF EDAC INC., AND  
SHALL NOT BE REPRODUCED, OR COPIED  
OR USED AS THE BASIS FOR THE  
MANUFACTURE OR SALE OF APPARATUS  
WITHOUT WRITTEN PERMISSION.