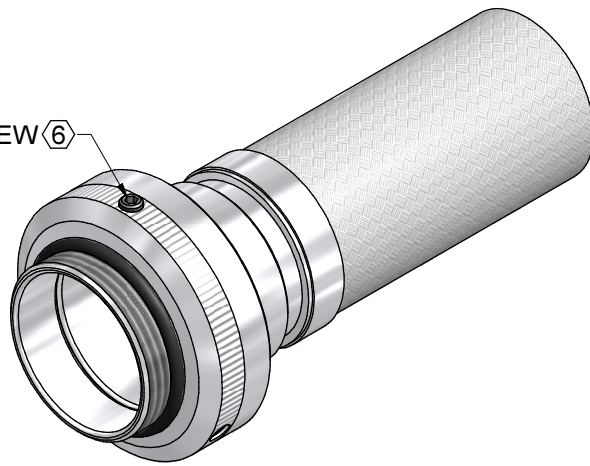


ANTI-ROTATIONAL SCREW ⑥



## CODE 71 - BRAID TAIL BACKSHELL

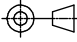


217M027-19B10

SERIES \_\_\_\_\_  
 ORDER NUMBER (TABLE 1) \_\_\_\_\_  
 MATERIAL \_\_\_\_\_  
 REFER TO CH00-0250-004  
 FINISH \_\_\_\_\_  
 REFER TO CH00-0250-004  
 ENTRY SIZE (TABLE 2) \_\_\_\_\_

### NOTES:

1. THIS PRODUCT IS DESIGNED TO TERMINATE A HEAT SHRINKABLE LIPPED BOOT TO A CONNECTOR.
2. BACKSHELL TO BE PERMANENTLY MARKED/BAGGED AND LABELLED WITH CODE IDENTIFICATION NUMBER AND PART NUMBER. (e.g. 06090-217M012-19A08).
3. BRAID TERMINATION RING MAY BE SUPPLIED AS TINEL-LOCK SHAPE MEMORY RING AT MANUFACTURER'S OPTION.
4. SHELL SIZE PER MIL-DTL-81703, SERIES 1 & 2, CLASS E, J & P, DD, DM, DS, MDR, MDS, RTK, RSM, STK, DEUTSCH COM'L SERIES CONNECTOR
5. FOR ADDITIONAL DIMENSIONS, ORDERING INFORMATION AND MODIFICATIONS, SEE CH00-0250-004.
6. ANTI-ROTATIONAL SET SCREW, THREE M3 x 0.5 THREADED HOLES 120° APART, SINGLE MATING SET SCREW SUPPLIED.

If this document is printed it becomes uncontrolled. Check for the latest revision

DRAWN	K.WINCZURA	DATE 29/04/2015	 3RD ANGLE PROJECTION NOT TO SCALE	TITLE:	BRAID TAIL BACKSHELL	 Polamco 
CHECKED		29/04/2015				
APPROVED	K.SHEPPARD	15/05/2015		UNLESS OTHERWISE SPECIFIED ALL DIMENSIONS IN MILLIMETRES GENERAL TOL LINEAR +/-0.25MM ANGULAR +/- 1°		
APPROVED	H.SMITH	02/09/2015				
REVISIONS						
LTR	DESCRIPTION	DATE	APPROVED			
B	REVISED PER DCR AD96005					
C	REVISED PER ECO-15-012672	02/09/2015	H.SMITH			
TE CAGE CODE: 06090 POLAMCO/TE CAGE CODE: U5792				TE CONNECTIVITY - POLAMCO LTD RESERVES THE RIGHT TO AMEND THIS DRAWING AND THE INFORMATION SET FORTH HEREON AT ANY TIME. USERS SHOULD INDEPENDENTLY EVALUATE THE SUITABILITY OF THE PRODUCT FOR THEIR APPLICATION.		DRAWING NO: <b>217M0XX</b>
				DRAWING REV:		DRAWING REV: <b>C</b>
				SHT		SHT <b>1</b>

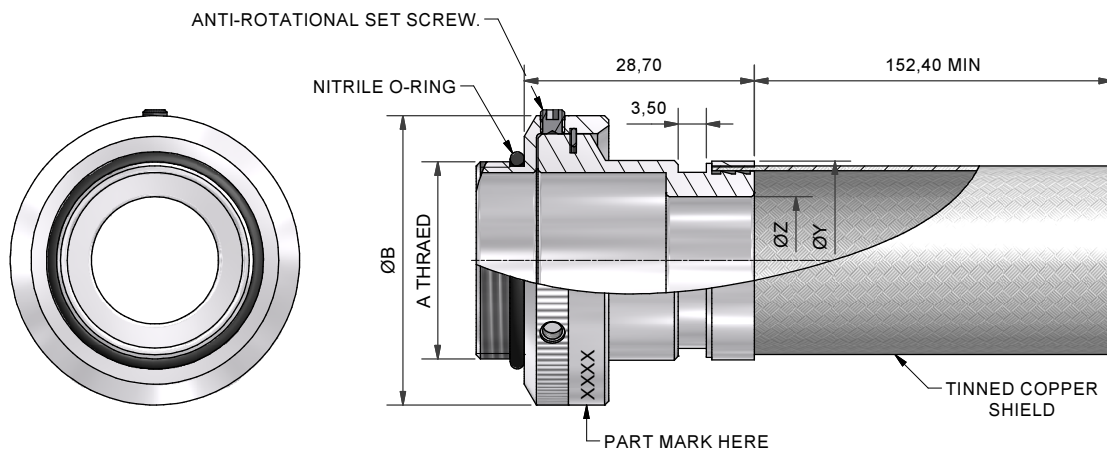


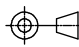


TABLE 1

ORDER NUMBER	SHELL SIZE		A THREAD	ØB MAX	MAX ENTRY
	STK, RTK, ETC	DM, DS, ETC			
08	8		3/8-32UNEF	19,8	05
03	10	3	1/2-28UNEF	22,9	05
07		7	5/8-24UNEF	26,9	07
12	14	12	3/4-20UNEF	30,0	08
19	16	19	7/8-20UNEF	33,3	10
27	18	27	1-20UNEF	36,1	15
37		37	1 3/16-18UNEF	39,6	15
61		61	1 1/2-18UNEF	45,7	16

TABLE 2

ENTRY SIZE	ØZ REF	ØY REF
03	4,77	13,1
04	6,35	13,1
05	7,92	13,1
06	9,52	17,9
07	11,12	17,9
08	12,70	17,9
09	14,27	17,9
10	15,87	24,2
11	17,47	24,2
12	19,05	24,2
13	20,62	24,2
14	22,23	30,6
15	23,82	30,6
16	25,40	30,6

If this document is printed it becomes uncontrolled. Check for the latest revision

DRAWN	K.WINCZURA	DATE	29/04/2015	 3RD ANGLE PROJECTION NOT TO SCALE	<b>TITLE:</b>  <b>BRAID TAIL BACKSHELL</b>	 <b>Polamco</b> 	
CHECKED		DATE	29/04/2015				
APPROVED	K.SHEPPARD	DATE	15/05/2015				UNLESS OTHERWISE SPECIFIED ALL DIMENSIONS IN MILLIMETRES GENERAL TOL LINEAR +/-0,25MM ANGULAR +/- 1°
APPROVED	H.SMITH	DATE	02/09/2015				
<b>ASSY USED ON:</b>  <b>MIL-DTL-81703 SERIES I &amp; 2</b>							
<b>REVISIONS</b>							
LTR	DESCRIPTION	DATE	APPROVED				
B	REVISED PER DCR AD96005						
C	REVISED PER ECO-15-012672	02/09/2015	H.SMITH				
TE CAGE CODE: 06090 POLAMCO/TE CAGE CODE: U5792							
TE CONNECTIVITY - POLAMCO LTD RESERVES THE RIGHT TO AMEND THIS DRAWING AND THE INFORMATION SET FORTH HEREON AT ANY TIME. USERS SHOULD INDEPENDENTLY EVALUATE THE SUITABILITY OF THE PRODUCT FOR THEIR APPLICATION.				DRAWING NO: <b>217M0XX</b>	DRAWING REV: <b>C</b>	SHT <b>2</b>	