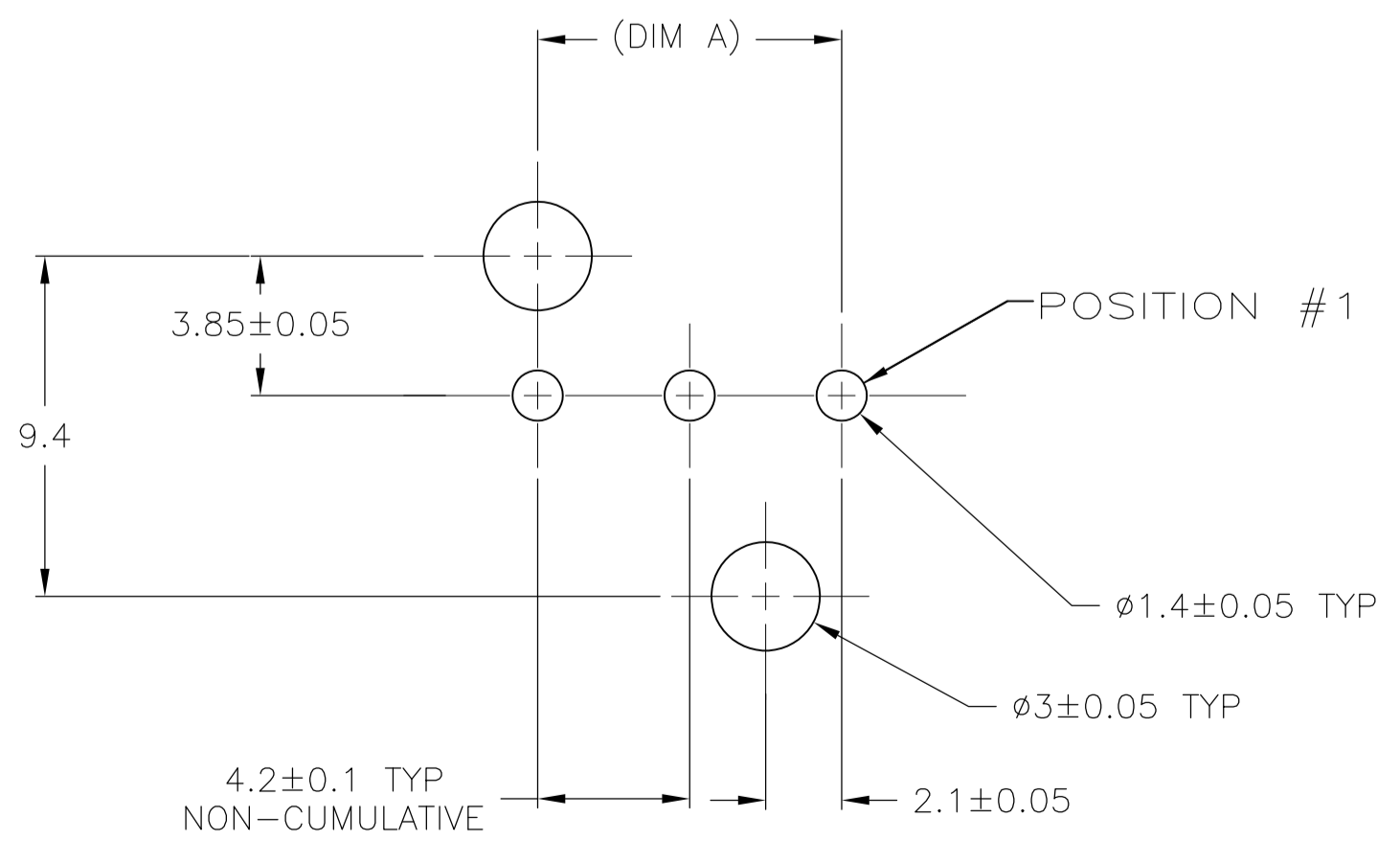
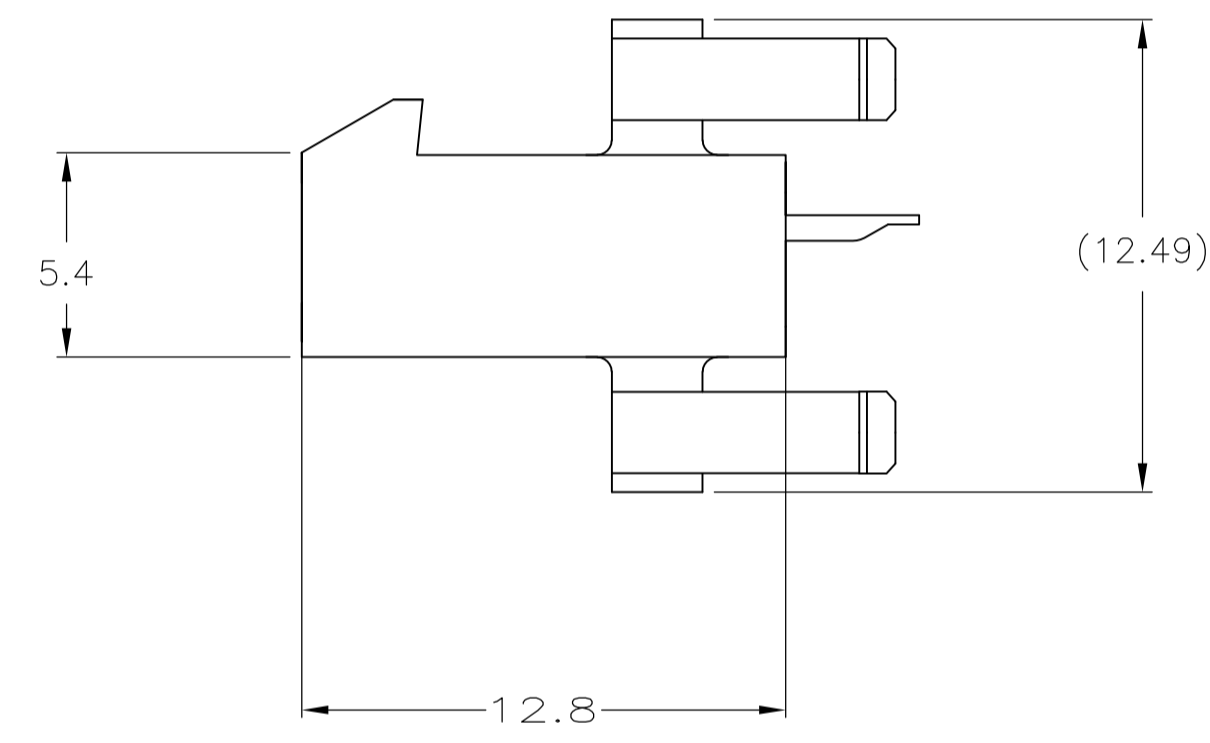
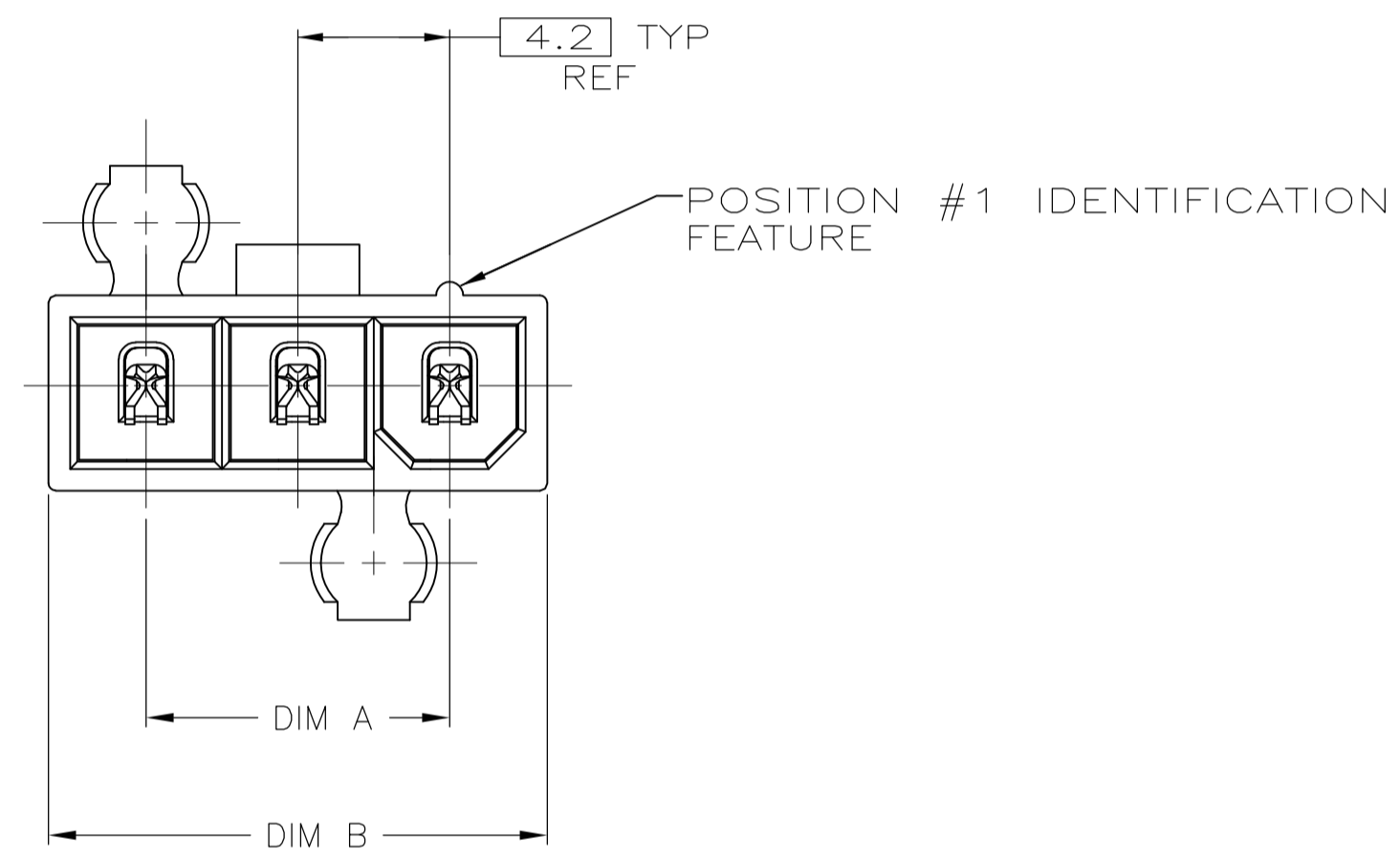


⚠ MATERIAL: HOUSING - NYLON, UL94V-0, WHITE.  
 CONTACTS - BRASS, TIN PLATED.  
 ⚠ TYCO ELECTRONICS LOGO AND MATERIAL ID MAY BE LOCATED ON EITHER LONG SIDE OF PART.



RECOMMENDED MOUNTING HOLE PATTERN  
 FOR 1.78 MAX THICK P.C. BOARD  
 COMPONENT SIDE SHOWN

22.2	16.8	5	2029167-5
18	12.6	4	2029167-4
13.8	8.4	3	2029167-3
DIM B	DIM A	NO. OF POSITIONS	PART NO

**METRIC**

THIS DRAWING IS A CONTROLLED DOCUMENT.		DIN K. WHITAKER 01AUG2008		Tyco Electronics Corporation Harrisburg, PA 17105-3608	
DIMENSIONS: mm		CHK C. CASH 11JAN2008		Tyco Electronics	
TOLERANCES UNLESS OTHERWISE SPECIFIED:		APVD C. CASH 11JAN2008		NAME	
0. PLC	± -	PRODUCT SPEC		PLUG ASSEMBLY, VERTICAL, SINGLE ROW, 94V-0, W/O DRAIN HOLES, VAL-U-LOK(TM)	
1. PLC	± 0.2	APPLICATION SPEC		SIZE	
2. PLC	± 0.13	WEIGHT		CAGE CODE DRAWING NO	
3. PLC	± -	CUSTOMER DRAWING		A1 00779 C=2029167	
4. PLC	± -	SCALE		RESTRICTED TO	
ANGLES	± 0°30'	5:1		SHEET 1 OF 1	
		REV		A	