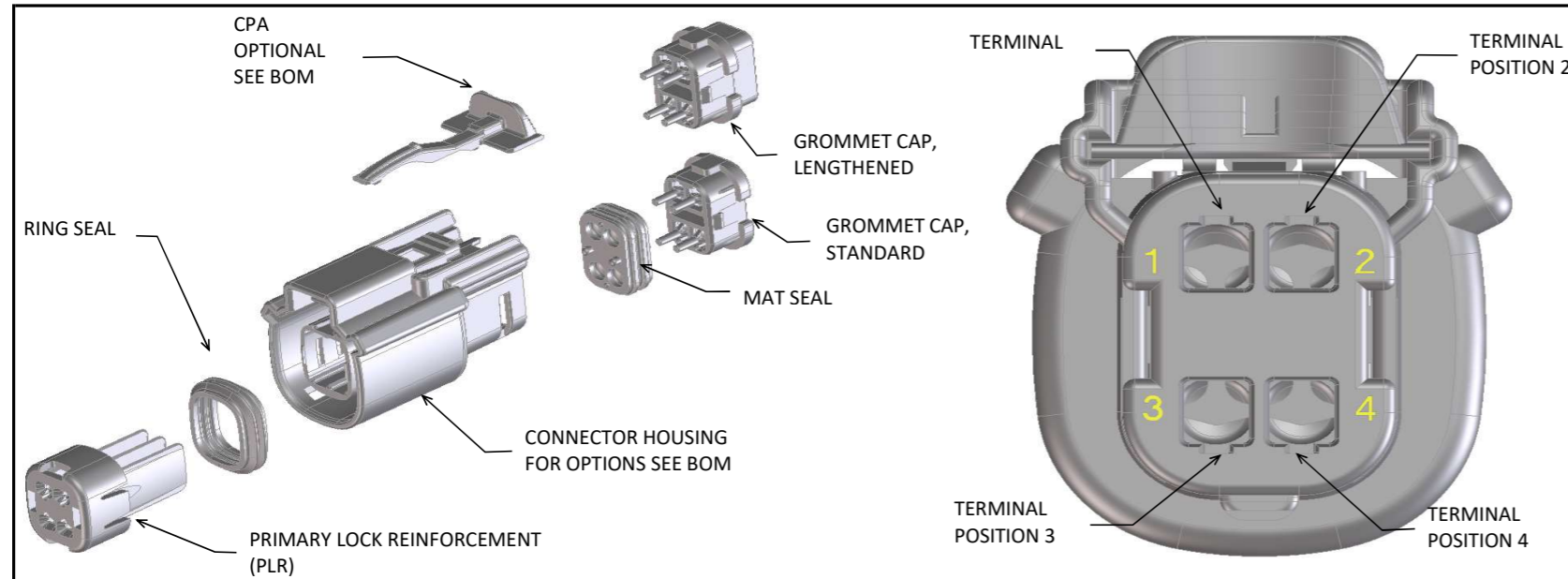


MX150 UL VO RECEPTACLE 2X2 SEALED ASSEMBLY MAT SEAL
BOM AND PIN OUT SHEET

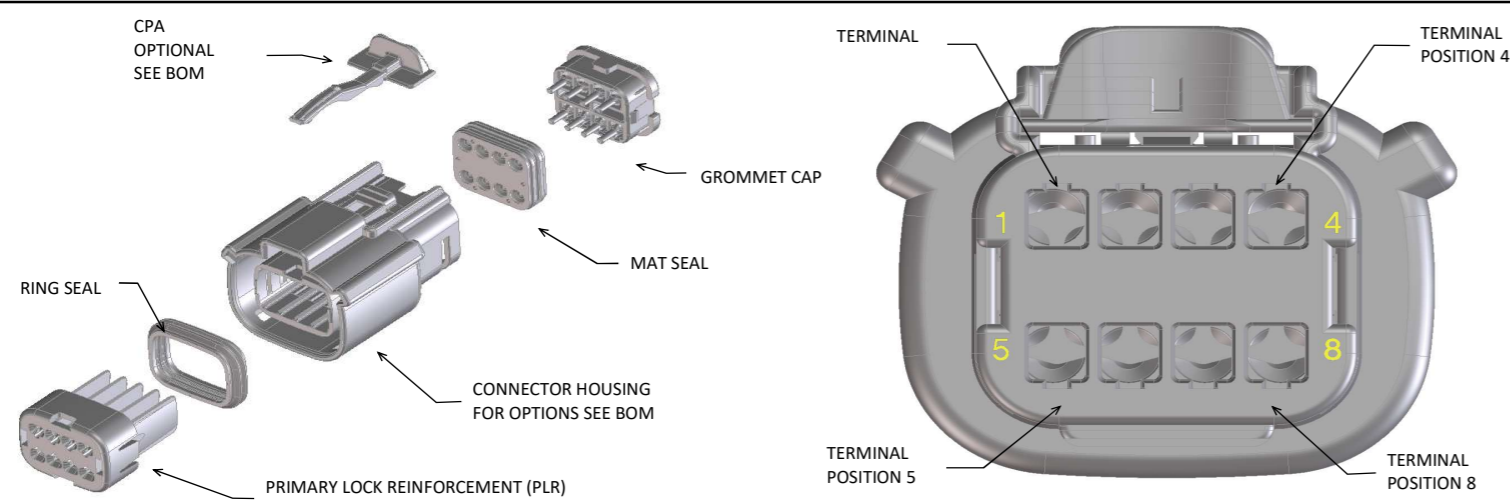


ABBREVIATION	DESCRIPTION	COLOR	MATERIAL
A-BLK-UL	HOUSING, KEYING OPTION A (UL VO)	BLACK	PA6 GF30 VO
B-LG-UL	HOUSING, KEYING OPTION B (UL VO)	LIGHT GRAY	PA6 GF30 VO
C-DG-UL	HOUSING, KEYING OPTION C (UL VO)	DARK GRAY	PA6 GF30 VO
D-SG-UL	HOUSING, KEYING OPTION D (UL VO)	STONE GRAY	PA6 GF30 VO
GCP	GROMMET CAP (STANDARD PLUGGED)	BLACK	SPS/NYLON GF20
GCO	GROMMET CAP (STANDARD OPEN)	BLACK	SPS/NYLON GF20
GCLP	GROMMET CAP (LENGTHENED PLUGGED)	BLACK	SPS/NYLON GF20
GCLO	GROMMET CAP (LENGTHENED OPEN)	BLACK	SPS/NYLON GF20
PLR-UL	PLR (UL VO)	ASH GRAY	PA6 GF30 VO
CPA	CPA	RED	PBT GF20
M	MAT SEAL	RUST RED	INHERENTLY LUBRICATED SILICONE
R	RING SEAL	GREEN	INHERENTLY LUBRICATED SILICONE

FOR ADDITIONAL INFORMATION SEE SD-33472-0001
OR E-33472-0001

ASSEMBLY DESCRIPTION	ASSEMBLY PART NUMBER	COMPONENT						BLOCKED TERMINALS												STATUS	COMMENTS	OPTIONAL ATTACHMENTS SOLD SEPERATELY	
		THE PRESENCE OF AN ABBREVIATION INDICATES THE PRESENCE OF THAT COMPONENT.						CAVITY WITH A NUMBER INDICATES BLOCKED TERMINAL POSITION CAVITY WITHOUT A NUMBER INDICATES OPEN TERMINAL POSITION														BACKSHELL WITH RIBS	BACKSHELL WITHOUT RIBS
		HOUSING KEY/COLOR	GROMMET CAP	PLR	CPA	MAT SEAL	RING SEAL	1	2	3	4												
UL VO KEY A, BLACK, W/O CPA	160074-2001	A-BLK-UL	GCLO	PLR-UL		M	R														SALEABLE		
UL VO KEY B, LIGHT GRAY, W/O CPA	160074-2002	B-LG-UL	GCLO	PLR-UL		M	R														SALEABLE		
UL VO KEY C, DARK GRAY, W/O CPA	160074-2003	C-DG-UL	GCLO	PLR-UL		M	R														SALEABLE		
UL VO KEY D, STONE GRAY, W/O CPA	160074-2004	D-SG-UL	GCLO	PLR-UL		M	R														SALEABLE		
UL VO KEY A, BLACK, W/CPA	160074-2006	A-BLK-UL	GCLO	PLR-UL	CPA	M	R														SALEABLE		
UL VO KEY B, LIGHT GRAY, W/CPA	160074-2007	B-LG-UL	GCLO	PLR-UL	CPA	M	R														SALEABLE		
UL VO KEY C, DARK GRAY, W/CPA	160074-2008	C-DG-UL	GCLO	PLR-UL	CPA	M	R														SALEABLE		
UL VO KEY D, STONE GRAY, W/CPA	160074-2009	D-SG-UL	GCLO	PLR-UL	CPA	M	R														SALEABLE		

MX150 UL VO RECEPTACLE 2X4 SEALED ASSEMBLY MAT SEAL
BOM AND PIN OUT SHEET

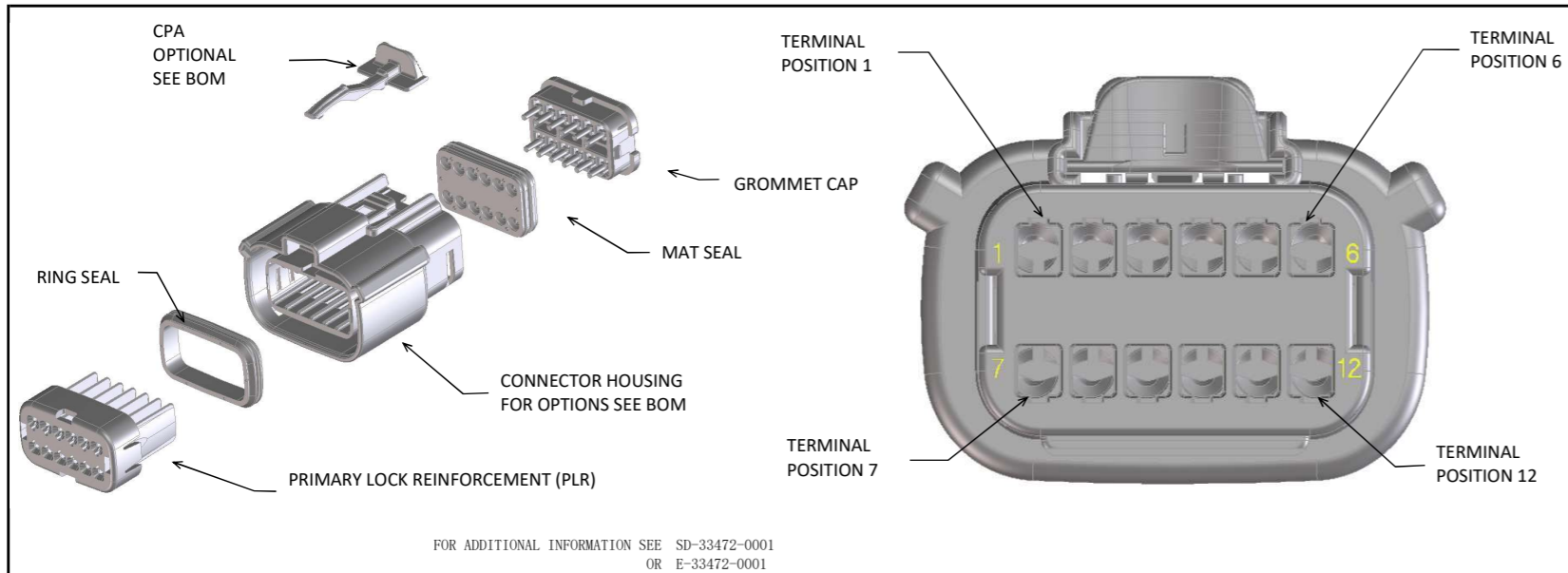


FOR ADDITIONAL INFORMATION SEE SD-33472-0001
OR E-33472-0001

ABBREVIATION	DESCRIPTION	COLOR	MATERIAL
A-BLK-UL	HOUSING, KEYING OPTION A (UL VO)	BLACK	PA6 GF30 V0
B-LG-UL	HOUSING, KEYING OPTION B (UL VO)	LIGHT GRAY	PA6 GF30 V0
C-DG-UL	HOUSING, KEYING OPTION C (UL VO)	DARK GRAY	PA6 GF30 V0
D-SG-UL	HOUSING, KEYING OPTION D (UL VO)	STONE GRAY	PA6 GF30 V0
A-BLK-UL-CLIP	HOUSING, KEYING OPTION A (UL VO) WITH CLIP SLOT	BLACK	PA6 GF30 V0
B-LG-UL-CLIP	HOUSING, KEYING OPTION B (UL VO) WITH CLIP SLOT	LIGHT GRAY	PA6 GF30 V0
C-DG-UL-CLIP	HOUSING, KEYING OPTION C (UL VO) WITH CLIP SLOT	DARK GRAY	PA6 GF30 V0
D-SG-UL-CLIP	HOUSING, KEYING OPTION D (UL VO) WITH CLIP SLOT	STONE GRAY	PA6 GF30 V0
GCP	GROMMET CAP (PLUGGED)	BLACK	SPS/NYLON GF20
GCO	GROMMET CAP (OPEN)	BLACK	SPS/NYLON GF20
PLR-UL	PLR (UL VO)	ASH GRAY	PA6 GF30 V0
CPA	CPA	RED	PBT GF20
M	MAT SEAL	LIGHT BLUE	INHERENTLY LUBRICATED SILICONE
R	RING SEAL	RUST RED	INHERENTLY LUBRICATED SILICONE

ASSEMBLY DESCRIPTION	ASSEMBLY PART NUMBER	COMPONENT							BLOCKED TERMINALS								STATUS	COMMENTS	OPTIONAL ATTACHMENTS SOLD SEPARATELY					
		THE PRESENCE OF AN ABBREVIATION INDICATES THE PRESENCE OF THAT COMPONENT.							CAVITY WITH A NUMBER INDICATES BLOCKED TERMINAL POSITION CAVITY WITHOUT A NUMBER INDICATES OPEN TERMINAL POSITION										BACKSHELL WITH RIBS	BACKSHELL WITHOUT RIBS	90° ADAPTOR WITH RIBS	90° ADAPTOR WITHOUT RIBS		
		HOUSING KEY/COLOR	GROMMET CAP	PLR	CPA	MAT SEAL	RING SEAL	1	2	3	4	5	6	7	8									
UL VO KEY A, BLACK, W/O CPA	160074-4001	A-BLK-UL	GCO	PLR-UL		M	R												SALEABLE		N/A	N/A	N/A	N/A
UL VO KEY B, LIGHT GRAY, W/O CPA	160074-4002	B-LG-UL	GCO	PLR-UL		M	R												SALEABLE		N/A	N/A	N/A	N/A
UL VO KEY C, DARK GRAY, W/O CPA	160074-4003	C-DG-UL	GCO	PLR-UL		M	R												SALEABLE		N/A	N/A	N/A	N/A
UL VO KEY D, STONE GRAY, W/O CPA	160074-4004	D-SG-UL	GCO	PLR-UL		M	R												SALEABLE		N/A	N/A	N/A	N/A
UL VO KEY A, BLACK, W/CPA	160074-4006	A-BLK-UL	GCO	PLR-UL	CPA	M	R												SALEABLE		N/A	N/A	N/A	N/A
UL VO KEY B, LIGHT GRAY, W/CPA	160074-4007	B-LG-UL	GCO	PLR-UL	CPA	M	R												SALEABLE		N/A	N/A	N/A	N/A
UL VO KEY C, DARK GRAY, W/CPA	160074-4008	C-DG-UL	GCO	PLR-UL	CPA	M	R												SALEABLE		N/A	N/A	N/A	N/A
UL VO KEY D, STONE GRAY, W/CPA	160074-4009	D-SG-UL	GCO	PLR-UL	CPA	M	R												SALEABLE		N/A	N/A	N/A	N/A
UL VO KEY A, BLACK, WITH CLIPSLOT, W/O CPA	160074-4011	A-BLK-UL-CLIP	GCO	PLR-UL		M	R												SALEABLE		34951-0811	34951-0821	34951-0831	34951-0841
UL VO KEY B, LIGHT GRAY, WITH CLIPSLOT, W/O CPA	160074-4012	B-LG-UL-CLIP	GCO	PLR-UL		M	R												SALEABLE		34951-0811	34951-0821	34951-0831	34951-0841
UL VO KEY C, DARK GRAY, WITH CLIPSLOT, W/O CPA	160074-4013	C-DG-UL-CLIP	GCO	PLR-UL		M	R												SALEABLE		34951-0811	34951-0821	34951-0831	34951-0841
UL VO KEY D, STONE GRAY, WITH CLIPSLOT, W/O CPA	160074-4014	D-SG-UL-CLIP	GCO	PLR-UL		M	R												SALEABLE		34951-0811	34951-0821	34951-0831	34951-0841
UL VO KEY A, BLACK, WITH CLIPSLOT, W/CPA	160074-4016	A-BLK-UL-CLIP	GCO	PLR-UL	CPA	M	R												SALEABLE		34951-0811	34951-0821	34951-0831	34951-0841
UL VO KEY B, LIGHT GRAY, WITH CLIPSLOT, W/CPA	160074-4017	B-LG-UL-CLIP	GCO	PLR-UL	CPA	M	R												SALEABLE		34951-0811	34951-0821	34951-0831	34951-0841
UL VO KEY C, DARK GRAY, WITH CLIPSLOT, W/CPA	160074-4018	C-DG-UL-CLIP	GCO	PLR-UL	CPA	M	R												SALEABLE		34951-0811	34951-0821	34951-0831	34951-0841
UL VO KEY D, STONE GRAY, WITH CLIPSLOT, W/CPA	160074-4019	D-SG-UL-CLIP	GCO	PLR-UL	CPA	M	R												SALEABLE		34951-0811	34951-0821	34951-0831	34951-0841

**MX150 UL VO RECEPTACLE 2X6 SEALED ASSEMBLY MAT SEAL
BOM AND PIN OUT SHEET**

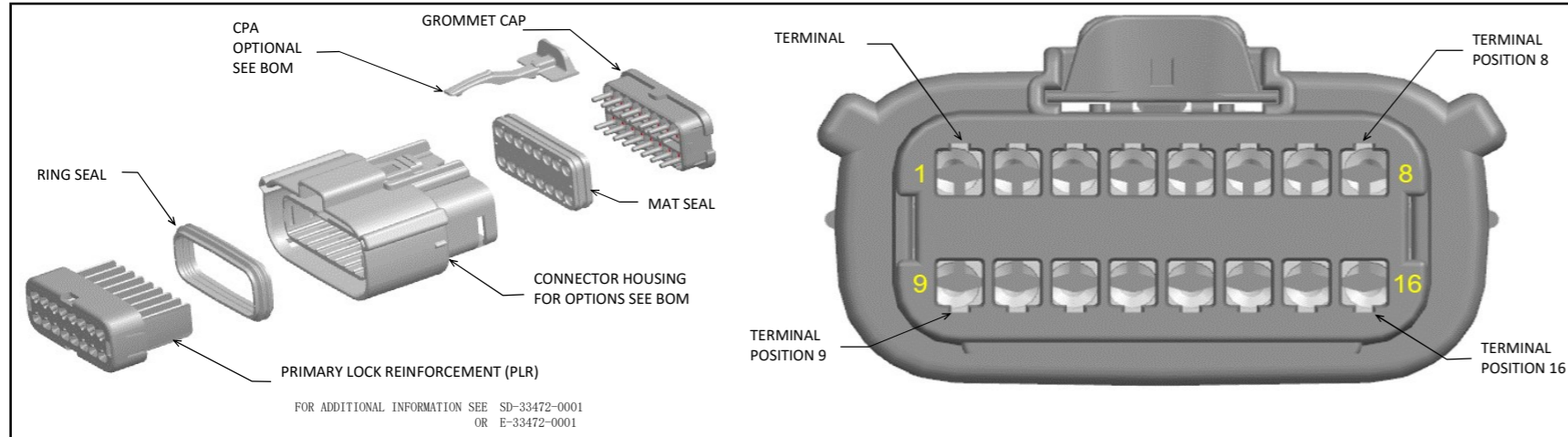


ABBREVIATION	DESCRIPTION	COLOR	MATERIAL
A-BLK-UL	HOUSING, KEYING OPTION A (UL VO)	BLACK	PA6 GF30 VO
B-LG-UL	HOUSING, KEYING OPTION B (UL VO)	LIGHT GRAY	PA6 GF30 VO
C-DG-UL	HOUSING, KEYING OPTION C (UL VO)	DARK GRAY	PA6 GF30 VO
D-SG-UL	HOUSING, KEYING OPTION D (UL VO)	STONE GRAY	PA6 GF30 VO
D-BLK-UL	HOUSING, KEYING OPTION D (UL VO)	BLACK	PA6 GF30 VO
GC	GROMMET CAP (PLUGGED)	BLACK	SPS/NYLON GF20
PLR-UL	PLR (UL VO)	ASH GRAY	PA6 GF30 VO
CPA	CPA	RED	PBT GF20
M	MAT SEAL	LIGHT BLUE	INHERENTLY LUBRICATED SILICONE
R	RING SEAL	GREEN	INHERENTLY LUBRICATED SILICONE

FOR ADDITIONAL INFORMATION SEE SD-33472-0001
OR E-33472-0001

ASSEMBLY DESCRIPTION	ASSEMBLY PART NUMBER	COMPONENT							BLOCKED TERMINALS												STATUS	COMMENTS	OPTIONAL ATTACHMENTS SOLD SEPERATELY			
		THE PRESENCE OF AN ABBREVIATION INDICATES THE PRESENCE OF THAT COMPONENT.							CAVITY WITH A NUMBER INDICATES BLOCKED TERMINAL POSITION CAVITY WITHOUT A NUMBER INDICATES OPEN TERMINAL POSITION														BACKSHELL WITH RIBS	BACKSHELL WITHOUT RIBS		
		HOUSING KEY/COLOR	GROMMET CAP	PLR	CPA	MAT SEAL	RING SEAL	1	2	3	4	5	6	7	8	9	10	11	12							
UL VO KEY A, BLACK, W/O CPA	160074-6001	A-BLK-UL	GC	PLR-UL		M	R																SALEABLE		34951-1210	34951-1220
UL VO KEY B, LIGHT GRAY, W/O CPA	160074-6002	B-LG-UL	GC	PLR-UL		M	R																SALEABLE		34951-1210	34951-1220
UL VO KEY C, DARK GRAY, W/O CPA	160074-6003	C-DG-UL	GC	PLR-UL		M	R																SALEABLE		34951-1210	34951-1220
UL VO KEY D, STONE GRAY, W/O CPA	160074-6004	D-SG-UL	GC	PLR-UL		M	R																SALEABLE		34951-1210	34951-1220
UL VO KEY A, BLACK, W/CPA	160074-6006	A-BLK-UL	GC	PLR-UL	CPA	M	R																SALEABLE		34951-1210	34951-1220
UL VO KEY B, LIGHT GRAY, W/CPA	160074-6007	B-LG-UL	GC	PLR-UL	CPA	M	R																SALEABLE		34951-1210	34951-1220
UL VO KEY C, DARK GRAY, W/CPA	160074-6008	C-DG-UL	GC	PLR-UL	CPA	M	R																SALEABLE		34951-1210	34951-1220
UL VO KEY D, STONE GRAY, W/CPA	160074-6009	D-SG-UL	GC	PLR-UL	CPA	M	R																SALEABLE		34951-1210	34951-1220
UL VO KEY D, BLACK, W/CPA	160074-6010	D-BLK-UL	GC	PLR-UL	CPA	M	R																SALEABLE		34951-1210	34951-1220

MX150 UL VO RECEPTACLE 2X8 SEALED ASSEMBLY MAT SEAL
BOM AND PIN OUT SHEET

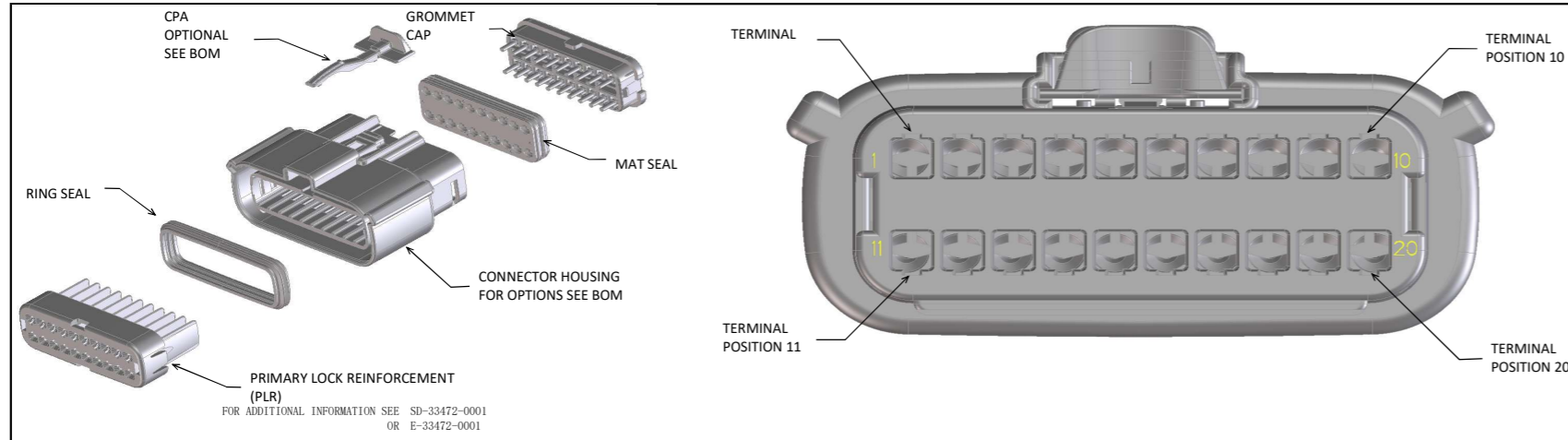


FOR ADDITIONAL INFORMATION SEE SD-33472-0001
OR E-33472-0001

ABBREVIATION	DESCRIPTION	COLOR	MATERIAL
A-BLK-UL	HOUSING, KEYING OPTION A (UL VO)	BLACK	PA6 GF30 VO
B-LG-UL	HOUSING, KEYING OPTION B (UL VO)	LIGHT GRAY	PA6 GF30 VO
C-BR-UL	HOUSING, KEYING OPTION C (UL VO)	DARK GRAY	PA6 GF30 VO
D-GR-UL	HOUSING, KEYING OPTION D (UL VO)	STONE GRAY	PA6 GF30 VO
GC	GROMMET CAP	BLACK	SPS/NYLON GF20
PLR	PLR (UL VO)	ASH GRAY	PA6 GF30 VO
CPA	CPA	RED	PBT GF30
M	MAT SEAL	LIGHT BLUE	INHERENTLY LUBRICATED SILICONE
R	RING SEAL	GREEN	INHERENTLY LUBRICATED SILICONE

ASSEMBLY DESCRIPTION	ASSEMBLY PART NUMBER	COMPONENT							BLOCKED TERMINALS																STATUS	COMMENTS	OPTIONAL ATTACHMENTS SOLD SEPERATELY			
		THE PRESENCE OF AN ABBREVIATION INDICATES THE PRESENCE OF THAT COMPONENT.							CAVITY WITH A NUMBER INDICATES BLOCKED TERMINAL POSITION CAVITY WITHOUT A NUMBER INDICATES OPEN TERMINAL POSITION																		BACKSHELL WITH RIBS	BACKSHELL WITHOUT RIBS	90° ADAPTOR WITH RIBS	90° ADAPTOR WITHOUT RIBS
		HOUSING KEY/COLOR	GROMMET CAP	PLR	CPA	MAT SEAL	RING SEAL	1	2	3	4	5	6	7	8	9	10	11	12	13	14	15	16							
UL VO KEY A, BLACK, W/O CPA	160074-8001	A-BLK-UL	GC	PLR-UL		M	R																		OK TO TOOL		N/A	N/A	N/A	N/A
UL VO KEY B, LIGHT GRAY, W/O CPA	160074-8002	B-LG-UL	GC	PLR-UL		M	R																		OK TO TOOL		N/A	N/A	N/A	N/A
UL VO KEY C, DARK GRAY, W/O CPA	160074-8003	C-DG-UL	GC	PLR-UL		M	R																		OK TO TOOL		N/A	N/A	N/A	N/A
UL VO KEY D, STONE GRAY, W/O CPA	160074-8004	D-SG-UL	GC	PLR-UL		M	R																		OK TO TOOL		N/A	N/A	N/A	N/A
UL VO KEY A, BLACK, W/ CPA	160074-8005	A-BLK-UL	GC	PLR-UL	CPA	M	R																		OK TO TOOL		N/A	N/A	N/A	N/A
UL VO KEY B, LIGHT GRAY, W/ CPA	160074-8006	B-LG-UL	GC	PLR-UL	CPA	M	R																		OK TO TOOL		N/A	N/A	N/A	N/A
UL VO KEY C, DARK GRAY, W/ CPA	160074-8007	C-DG-UL	GC	PLR-UL	CPA	M	R																		OK TO TOOL		N/A	N/A	N/A	N/A
UL VO KEY D, STONE GRAY, W/ CPA	160074-8008	D-SG-UL	GC	PLR-UL	CPA	M	R																		OK TO TOOL		N/A	N/A	N/A	N/A

MX150 UL VO RECEPTACLE 2X10 SEALED ASSEMBLY MAT SEAL
BOM AND PIN OUT SHEET



ABBREVIATION	DESCRIPTION	COLOR	MATERIAL
A-BLK-UL	HOUSING, KEYING OPTION A (UL VO)	BLACK	PA6 GF30 VO
B-LG-UL	HOUSING, KEYING OPTION B (UL VO)	LIGHT GRAY	PA6 GF30 VO
C-DG-UL	HOUSING, KEYING OPTION C (UL VO)	DARK GRAY	PA6 GF30 VO
D-SG-UL	HOUSING, KEYING OPTION D (UL VO)	STONE GRAY	PA6 GF30 VO
GC	GROMMET CAP	BLACK	SPS/NYLON GF20
PLR-UL	PLR (UL VO)	ASH GRAY	PA6 GF30 VO
CPA	CPA	RED	PBT GF20
M	MAT SEAL	LIGHT BLUE	INHERENTLY LUBRICATED SILICONE
R	RING SEAL	GREEN	INHERENTLY LUBRICATED SILICONE

ASSEMBLY DESCRIPTION	ASSEMBLY PART NUMBER	COMPONENT							BLOCKED TERMINALS																				STATUS	COMMENTS	OPTIONAL ATTACHMENTS SOLD SEPARATELY			
		THE PRESENCE OF AN ABBREVIATION INDICATES THE PRESENCE OF THAT COMPONENT.							CAVITY WITH A NUMBER INDICATES BLOCKED TERMINAL POSITION CAVITY WITHOUT A NUMBER INDICATES OPEN TERMINAL POSITION																						BACKSHELL WITH RIBS	BACKSHELL WITHOUT RIBS	90° ADAPTOR WITH RIBS	90° ADAPTOR WITHOUT RIBS
		HOUSING KEY/COLOR	GROMMET CAP	PLR	CPA	MAT SEAL	RING SEAL	1	2	3	4	5	6	7	8	9	10	11	12	13	14	15	16	17	18	19	20							
UL VO KEY A, BLACK, W/O CPA	160074-0001	A-BLK-UL	GC	PLR-UL		M	R																						SALEABLE		N/A	N/A	N/A	N/A
UL VO KEY B, LIGHT GRAY, W/O CPA	160074-0002	B-LG-UL	GC	PLR-UL		M	R																						SALEABLE		N/A	N/A	N/A	N/A
UL VO KEY C, DARK GRAY, W/O CPA	160074-0003	C-DG-UL	GC	PLR-UL		M	R																						SALEABLE		N/A	N/A	N/A	N/A
UL VO KEY D, STONE GRAY, W/O CPA	160074-0004	D-SG-UL	GC	PLR-UL		M	R																						SALEABLE		N/A	N/A	N/A	N/A
UL VO KEY A, BLACK, W/CPA	160074-0006	A-BLK-UL	GC	PLR-UL	CPA	M	R																						SALEABLE		N/A	N/A	N/A	N/A
UL VO KEY B, LIGHT GRAY, W/CPA	160074-0007	B-LG-UL	GC	PLR-UL	CPA	M	R																						SALEABLE		N/A	N/A	N/A	N/A
UL VO KEY C, DARK GRAY, W/CPA	160074-0008	C-DG-UL	GC	PLR-UL	CPA	M	R																						SALEABLE		N/A	N/A	N/A	N/A
UL VO KEY D, STONE GRAY, W/CPA	160074-0009	D-SG-UL	GC	PLR-UL	CPA	M	R																						SALEABLE		N/A	N/A	N/A	N/A

TABLE OF CONTENTS	
SHEET NO.	SHEET DESCRIPTION
1	NOTES AND BOM
2	CONFIGURATIONS
3-4	KEY CONFIGURATIONS
5	RECEPTACLE CONNECTOR ASSEMBLY
6	BACKSHELL NOTES
7	BACKSHELL
8	BACKSHELL CONFIGURATIONS
9	2X10 CONNECTOR INTERFACE DEFINITION

NOTES: VALID UNLESS OTHERWISE SPECIFIED

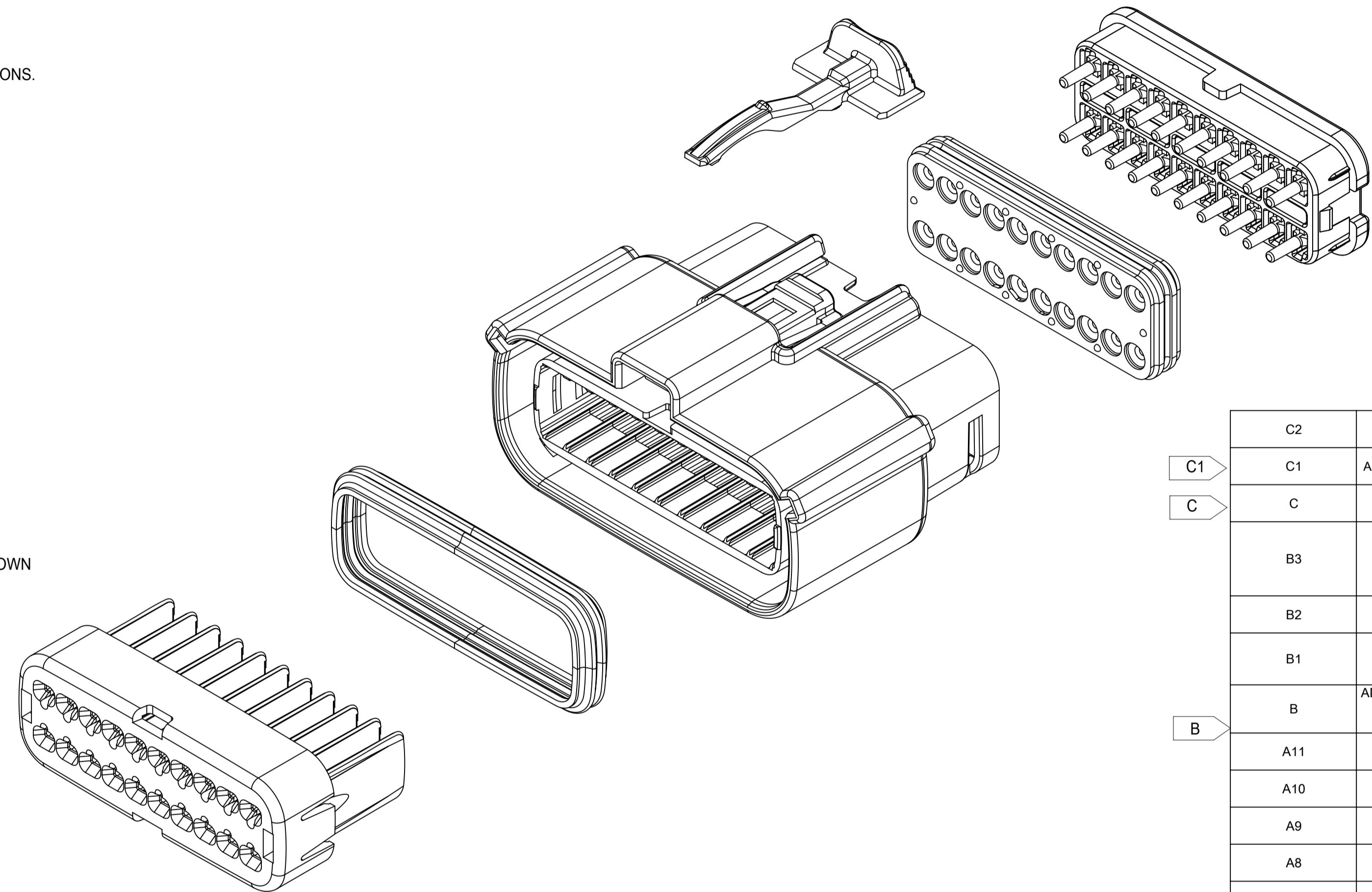
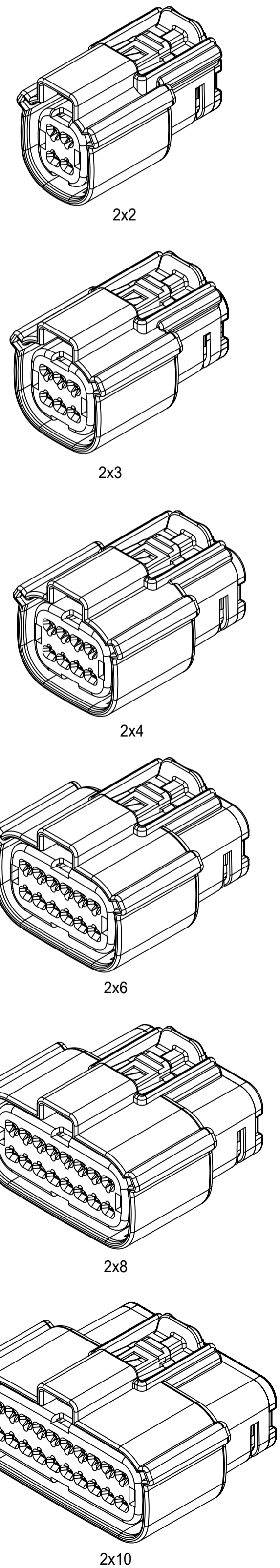
1. GENERAL:
- a. APPLICATION SPECIFICATION SEE: AS-33472-100
- CONTAINS: PRODUCT INTRODUCTION, PRODUCT SUMMARY, CONNECTOR ASSEMBLY, PACKAGING INFORMATION, CONNECTOR MATING, SERVICE INSTRUCTIONS, ELECTRICAL CONTINUITY CHECKING, CRIMPING, AND TROUBLESHOOTING.
 - DESIGNED TO MATE WITH DEVICE OR CONNECTOR AS SPECIFIED IN THE MATING INTERFACE/CONNECTOR DRAWINGS CHART.
 - *DENOTES DRAWINGS THAT CAN BE ACCESSED AT <http://ewcap.uscarteams.org/>.
 - ASSEMBLY SHIPPED WITH PLR IN PRE-LOCK POSITION (SEE PLR PRE-LOCK VIEW SHEET 5).
- b. PRODUCT SPECIFICATION SEE:
- STANDARD CONFIGURATION (STD): PS-33472-000
 - TRANSMISSION CONFIGURATION (TRNS):
 - CONTAINS SILICONE: TS-160038-0001
 - SILICONE FREE: TBD
 - UL V0 CONFIGURATION (UL V0): TBD
 - CONTAINS: PRODUCT INTRODUCTION, PRODUCT SUMMARY, RATINGS (CURRENT, TEMPERATURE, SEALING, AND FLAMMABILITY), TERMINALS, WIRE DIAMETER RANGE, PRODUCT VALIDATION, AND PRODUCT DEVIATIONS.
- c. PACKAGING SPECIFICATION PER MOLEX DRAWING: SEE PACKAGING CHART
- d. PARTS MUST BE IN COMPLIANCE TO MOLEX CHEMICAL SUBSTANCES FOR PRODUCTS AND PACKAGING SPECIFICATION: QEHS-699000-301
- e. DATA MUST BE SUBMITTED UNDER THE MOLEX PART NUMBER TO IMDS (COMPANY ID#13255)

2. DESIGN - MATERIALS:
- a. FOR BILL OF MATERIALS SEE:
- STANDARD CONFIGURATION SD-33472-0002
 - TRANSMISSION CONGRURATION
 - CONTAINS SILICONE: SD-160038-0002
 - SILICONE FREE: SD-160092-0002
 - UL V0 CONFIGURATION SD-160074-0002
- b. TRANSMISSION CONNECTOR COMPONENTS MUST MEET THE MATERIAL REQUIREMENTS SPECIFIED IN TS-160038-0001 & TBD

3. DESIGN - GEOMETRY:
- a. THE 3-D CAD DATA IS BASIC (WITHOUT TOLERANCE) AND MASTER FOR THIS PART WITH THE EXCEPTION OF UNDERLINED DIMENSIONS. DIMENSIONAL INFORMATION NOT SHOWN ON THIS DRAWING IS DEFINED BY THE DATA FILE AT ITS LATEST REVISION.
- b. GEOMETRIC DIMENSIONS AND TOLERANCES PER ASME Y14.5M-2009
- c. EDGES AND UNDIMENSIONED DETAILS PER ISO13715
- d. CORNERS SHOWN AS SHARP TO BE R 0.2 MAX.
- e. LETTERING SHALL BE 0.15 MAX RAISED IN 0.25 MAX RECESS PAD. THIS INCLUDES RECYCLING CODE, CAVITY ID, VENDOR IDENTIFICATION, AND CUSTOMER MATERIAL NUMBER.
- f. VISUAL DEFECTS SHALL MEET COSMETIC STANDARD PS-45499-002 (Class B).
- g. LASER MARKING:
- PART NUMBER
 - DAY OF THE YEAR
 - SHIFT
 - YEAR
- FOR ADDITIONAL INFORMATION SEE SECTION 5 UNDER PROCEDURES IN ES-34735-008.
- h. 2X2 CLIP-SLOT DESIGN IS BASED ON USCAR/EWCAP 7mm CLIP SLOT EWCAP - 005 - 7
- 2X3 THRU 2X10 CLIP-SLOT DESIGN IS BASED ON USCAR/EWCAP 11mm CLIP SLOT EWCAP - 005 - 11

DESCRIPTION	DRAWING NO.
2X2	PK-31300-635
2X3	PK-31300-903
2X4	PK-31300-903
2X6	PK-31300-903
2X8	PK-31300-903
2X10	PK-31300-903

MATING INTERFACE/CONNECTOR DRAWINGS		
DESCRIPTION	INTERFACE DEFINITION	MOLEX INLINE
STANDARD 2X2	*150-S-004-2-Z02	SD-33482-0001
UL V0 2X2	*150-S-004-2-Z02	SD-33482-0001
STANDARD 2X3	*150-S-006-2-Z02	SD-33482-0001
TRANSMISSION 2X3	*150-S-006-2-Z02	N/A
STANDARD 2X4	*150-S-008-2-Z02	SD-33482-0001
UL V0 2X4	*150-S-008-2-Z02	SD-33482-0001
STANDARD 2X6	*150-S-012-2-Z01	SD-33482-0001
UL V0 2X6	*150-S-012-2-Z01	SD-33482-0001
STANDARD 2X8	*150-S-016-2-Z01	SD-33482-0001
STANDARD 2X10	SD-33472-0001	SD-33482-0001
UL V0 2X10	SD-33472-0001	SD-33482-0001



C2	ADDED MOLEX BACKSHELL DETAILS
C1	ADDED 2X6-TRNS.-WITH/WITHOUT CLIPSLOT *
C	ADDED 2X10-STD.-WITH CLIPSLOT *
B3	ADD ROW FOR 2X6 V0 ON SHEET 5DIM3# UPDATE TO 25.0 MAX FOR V0DIM11# UPDATE TO 33.85 MAX FOR V0
B2	ADD 2X6 UL V0 CONFIGURATIONS
B1	UPDATE 2X6 W/O CLIPSLOT DIM G ON TABLE OF SHEET 5
B	ADDED 2X2 - STD- WITH CLIPSLOT, 2X8 - STD- WITH CLIPSLOT AND NOTE h
A11	MINOR GEOMETRY CHANGE FOR UL V0
A10	UPDATED 2X4 DRAWING NUMBER
A9	UPDATED 2X10 PART NUMBERS
A8	UPDATED 2X3 DRAWING NUMBER
A7	UPDATED 2X10 INTERFACE
A6	ADDED TRANSMISSION REFERENCES
A5	ADD 2X10 INTERFACE SHEETS
A4	ADD UL V0 CONFIGURATIONS
A3	ADDED 2X3 STD AND TRANSMISSION
A2	UPDATED 2X8 BLD DRAWINGS
A1	FIXED TYPO IN NOTE 1a, UPDATED 2X6 MOLEX INLINE BLADE DRAWING
A	INITIAL RELEASE
REV	REV DESCRIPTION

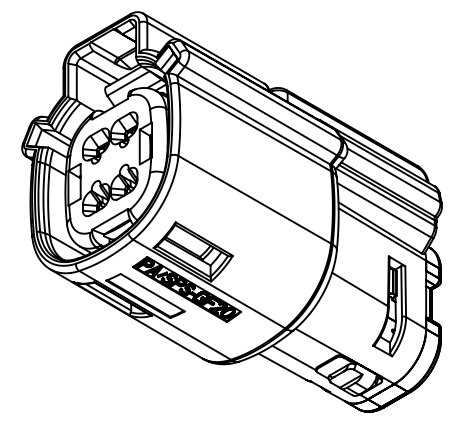
INSPECTION NUMBER LOG	
LAST NUMBER:	11
ADDED:	11
REMOVED:	

SYMBOLS				THIS DRAWING CONTAINS INFORMATION THAT IS PROPRIETARY TO MOLEX ELECTRONIC TECHNOLOGIES, LLC AND SHOULD NOT BE USED WITHOUT WRITTEN PERMISSION			
	mm		1:1	CURRENT REV DESC:			
	GENERAL TOLERANCES (UNLESS SPECIFIED)			EC NO: 171650			
	ANGULAR TOL ± 1.0°			DRWN: DDEB 2018/01/19			
	4 PLACES ±			CHK'D: MVANSLAMBROU 2018/02/16			
	3 PLACES ±			APPR: MVANSLAMBROU 2018/02/16			
	2 PLACES ± 0.1			INITIAL REVISION:			
	1 PLACE ± 0.2			DRWN: APROFFITT 2014/05/14			
	0 PLACES ±			APPR: VKOSHY 2014/06/27			
	DRAFT WHERE APPLICABLE MUST REMAIN WITHIN DIMENSIONS			THIRD ANGLE PROJECTION	DRAWING	SERIES	
					A1-SIZE	33472	
				MATERIAL NUMBER		CUSTOMER	
				SD-33472-0001		GENERAL MARKET	
				DOC TYPE: PSD		DOC PART: 001	
				DOC NUMBER: C2		REVISION:	
				SHEET NUMBER		1 OF 11	

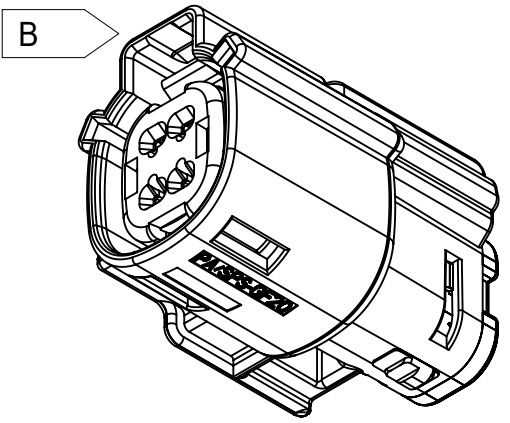
DOCUMENT STATUS	RELEASE DATE	2018/02/16	22:02:25
P1			

SHEET DESCRIPTION

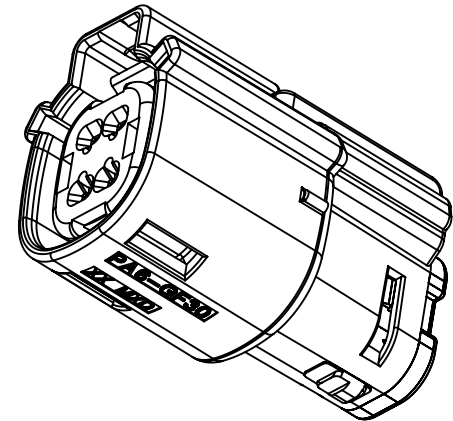
CONFIGURATIONS



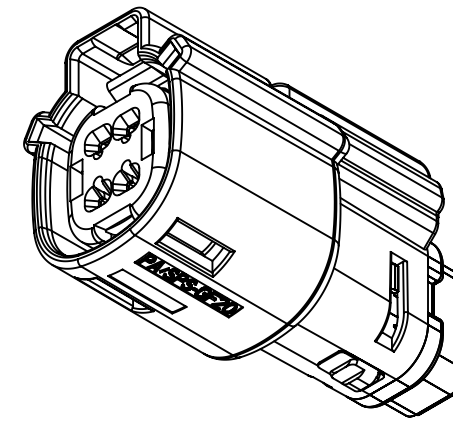
2X2 - STD.
2X2 - TRNS. - SILICONE FREE †



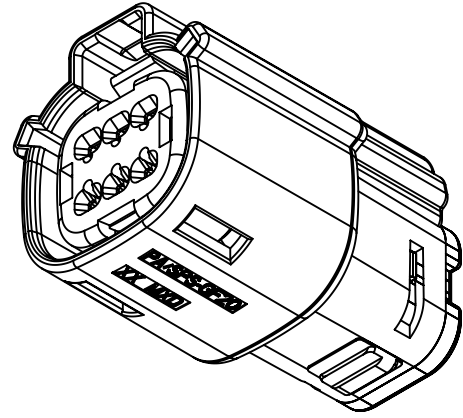
2X2 - STD. - WITH CLIPSLOT *



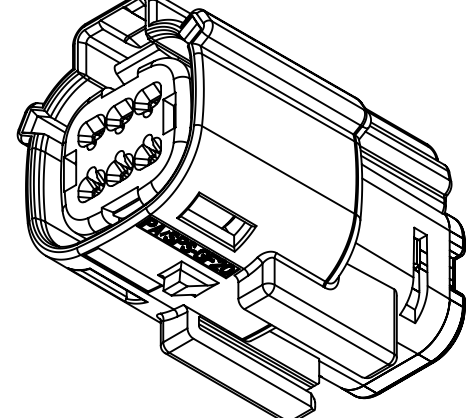
† 2X2 - UL V0



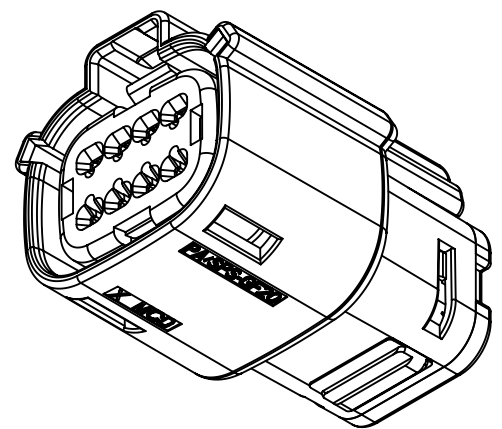
2X2 - STD. - LENGTHENED



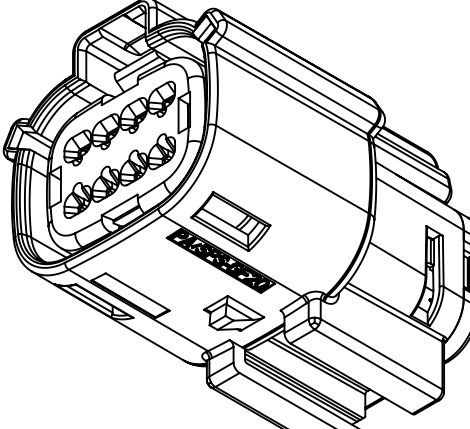
2X3 - STD.
2X3 - TRNS. - CONTAINS SILICONE †



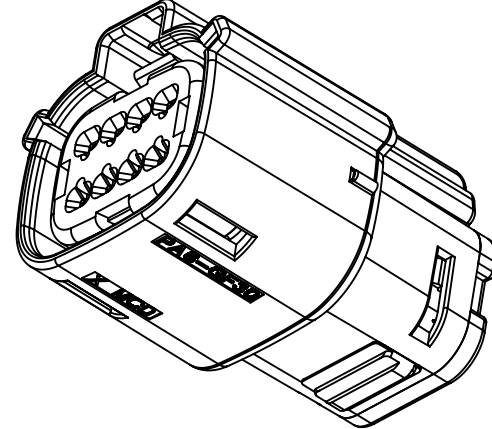
2X3 - STD. - WITH CLIPSLOT *



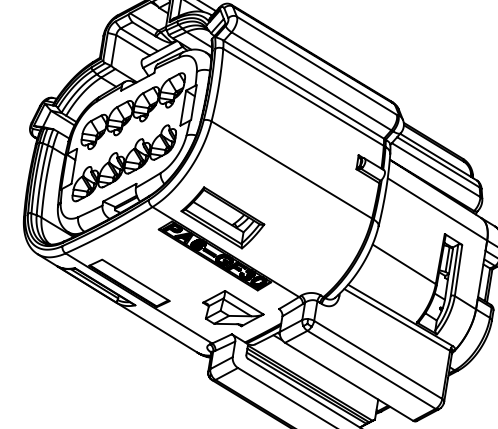
2X4 - STD.



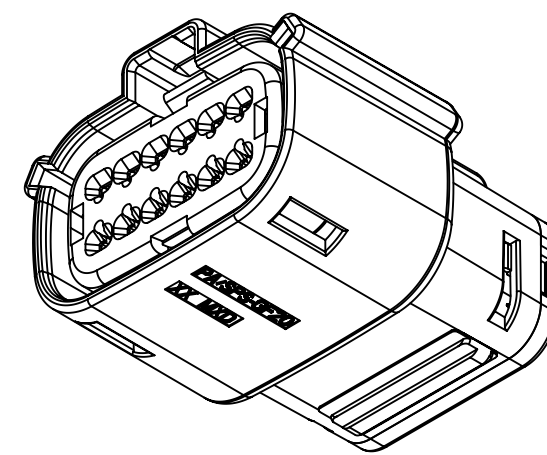
2X4 - STD. - WITH CLIPSLOT *



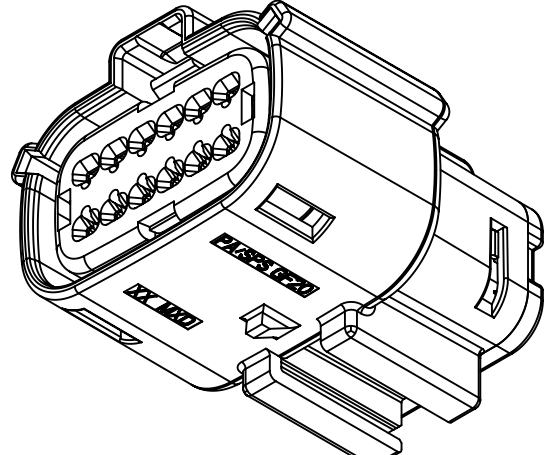
† 2X4 - UL V0



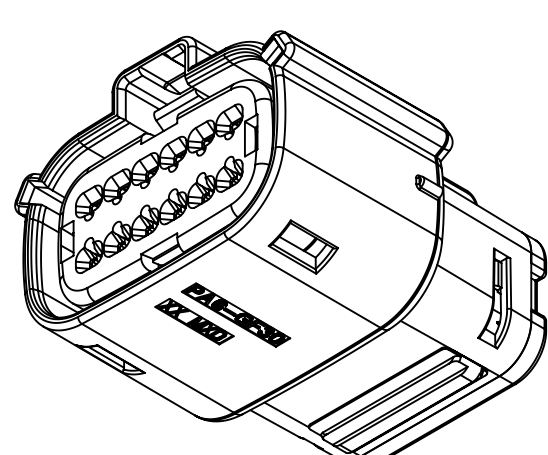
† 2X4 - UL V0-WITH CLIPSLOT*



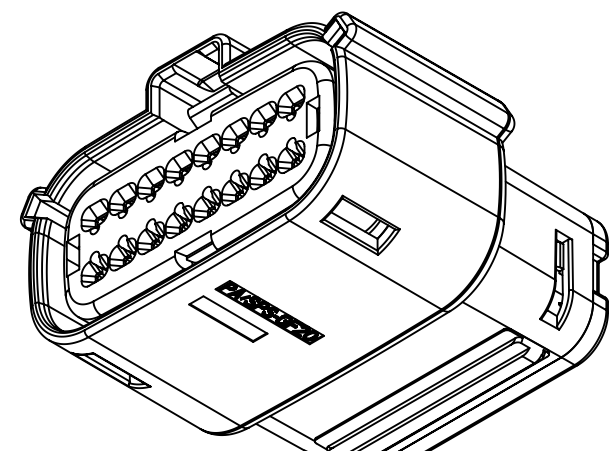
2X6 - STD.
C1 † 2X6 - TRNS.



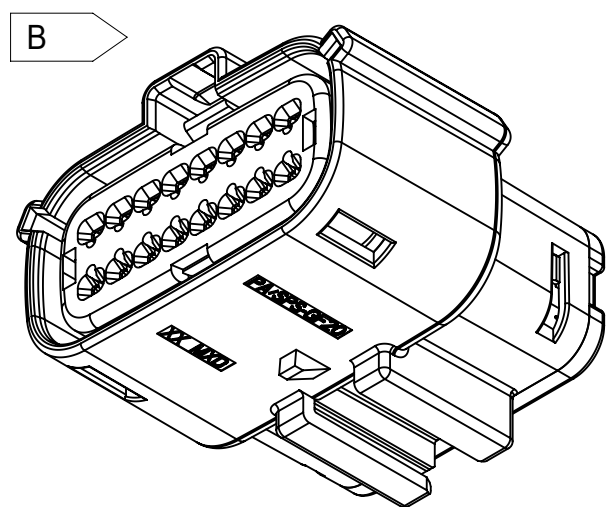
2X6 - STD. - WITH CLIPSLOT *
C1 † 2X6 - TRNS. - WITH CLIPSLOT *



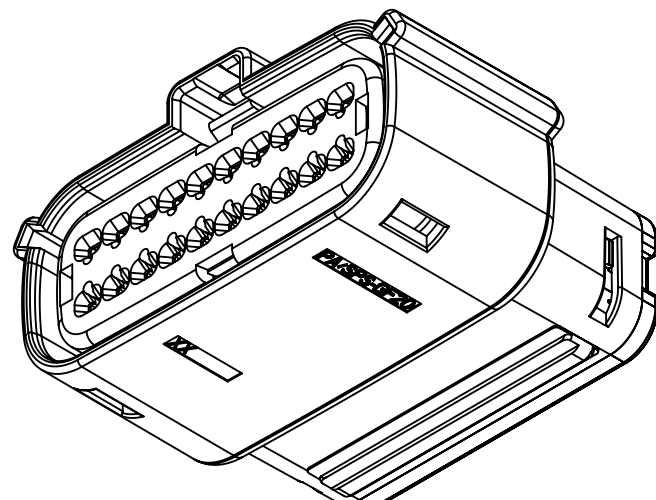
† 2X6 - UL V0



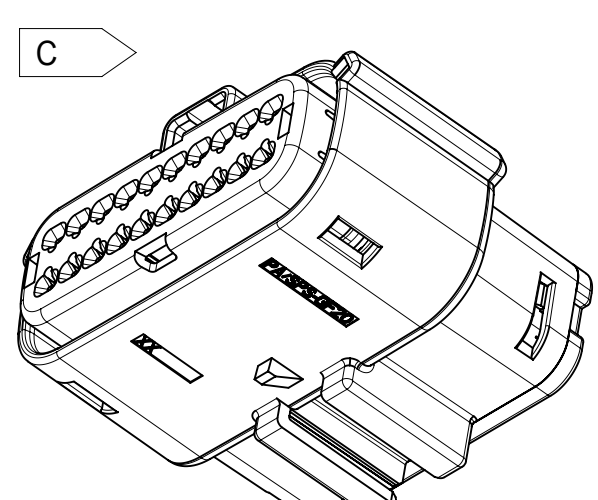
2X8 - STD.



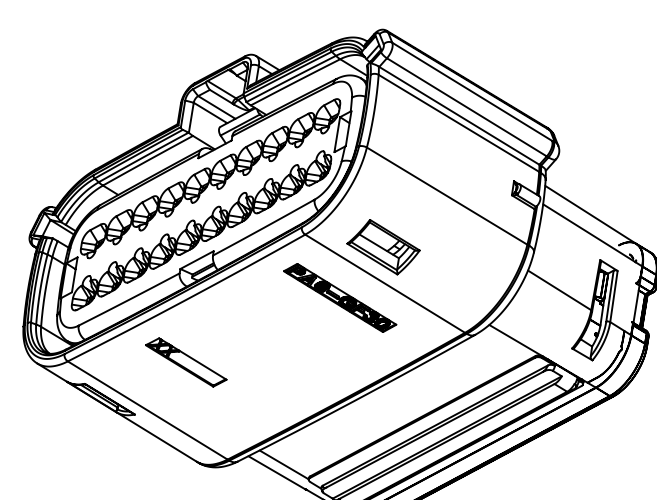
2X8 - STD. - WITH CLIPSLOT *



2X10 - STD.



2X10 - STD. - WITH CLIPSLOT *



† 2X10 - UL V0

* WITH CLIPSLOT CONFIGURATION DOES NOT MEET THE USCAR PACKAGING FRAME REQUIREMENTS
† MINOR GEOMETRY DIFFERENCE THAN STANDARD CONFIGURATION
SEE NOTES 1a & 2a-b FOR MORE INFORMATION

SYMBOLS		THIS DRAWING CONTAINS INFORMATION THAT IS PROPRIETARY TO MOLEX ELECTRONIC TECHNOLOGIES, LLC AND SHOULD NOT BE USED WITHOUT WRITTEN PERMISSION		CURRENT REV DESC:		DOCUMENT NUMBER		DOC TYPE DOC PART REVISION		
	= 0	DIMENSION UNITS	SCALE			SD-33472-0001		PSD	001	C2
	= 0	mm	1:1							
	= 0	GENERAL TOLERANCES (UNLESS SPECIFIED)		EC NO: 171650						
	= 0	ANGULAR TOL ± 1.0°		DRWN: DDEB 2018/01/19						
	= 0	4 PLACES	±	CHK'D: MVANSLAMBROU 2018/02/16						
	= 0	3 PLACES	±	APPR: MVANSLAMBROU 2018/02/16						
	= 0	2 PLACES	± 0.1	INITIAL REVISION:						
	= 0	1 PLACE	± 0.2	DRWN: APROFFITT 2014/05/14						
	= 0	0 PLACES	±	APPR: VKOSHY 2014/06/27						
	= 0	DRAFT WHERE APPLICABLE MUST REMAIN WITHIN DIMENSIONS		THIRD ANGLE PROJECTION		DRAWING		SERIES		
	= 0					A1-SIZE		33472		
						MATERIAL NUMBER		CUSTOMER		SHEET NUMBER
								GENERAL MARKET		2 OF 11

molex

MX150 RCPT
DUAL ROW SEALED ASSEMBLY MAT SEAL

PRODUCT CUSTOMER DRAWING

SD-33472-0001

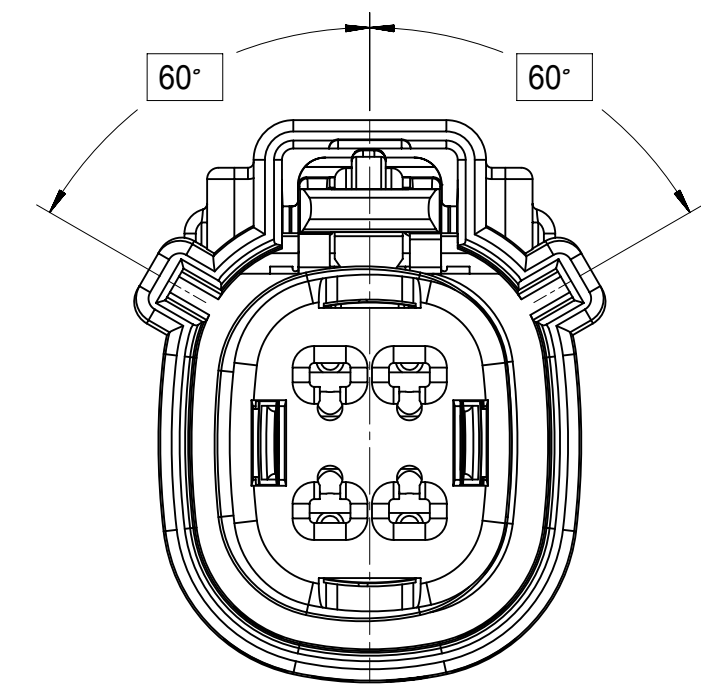
PSD 001 C2

GENERAL MARKET 2 OF 11

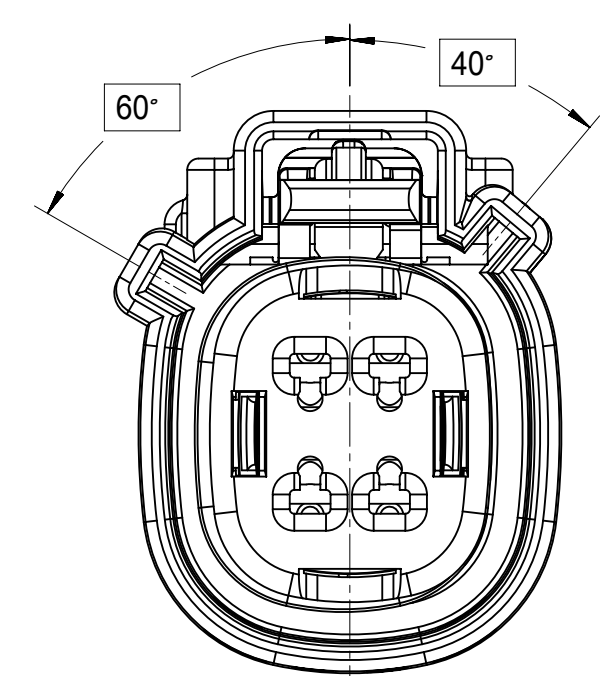
SHEET DESCRIPTION

KEY CONFIGURATIONS

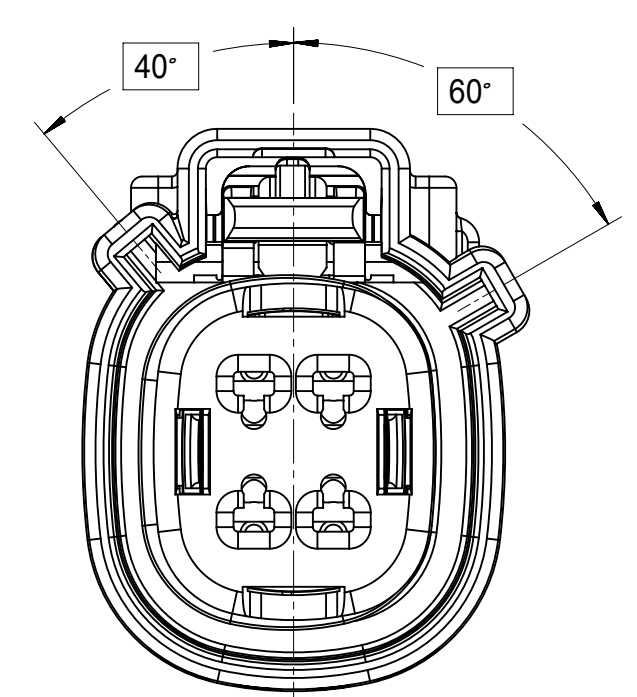
2X2



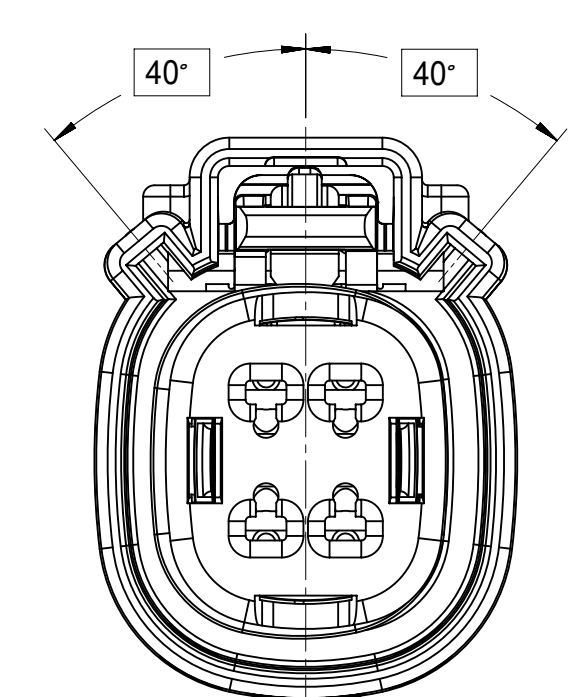
KEY A



KEY B

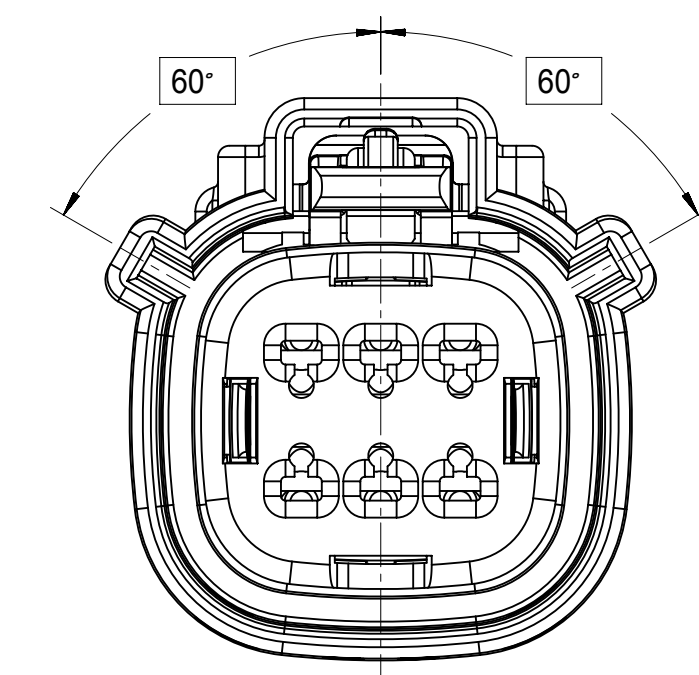


KEY C

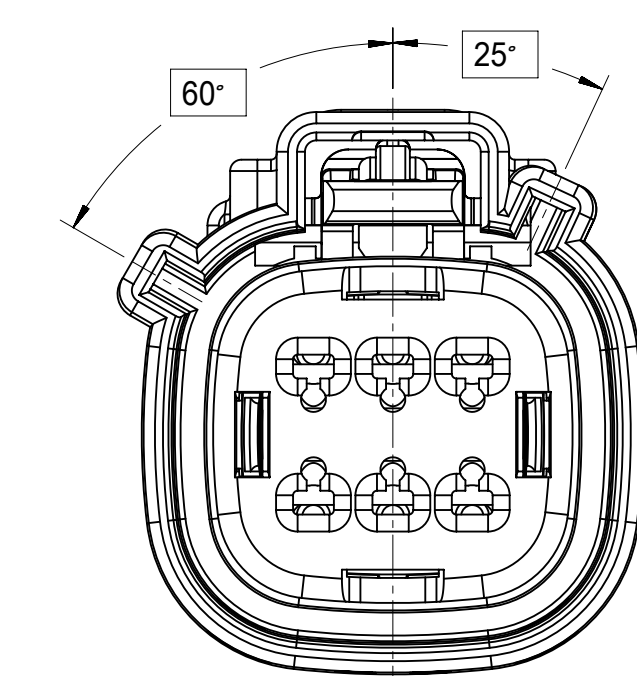


KEY D

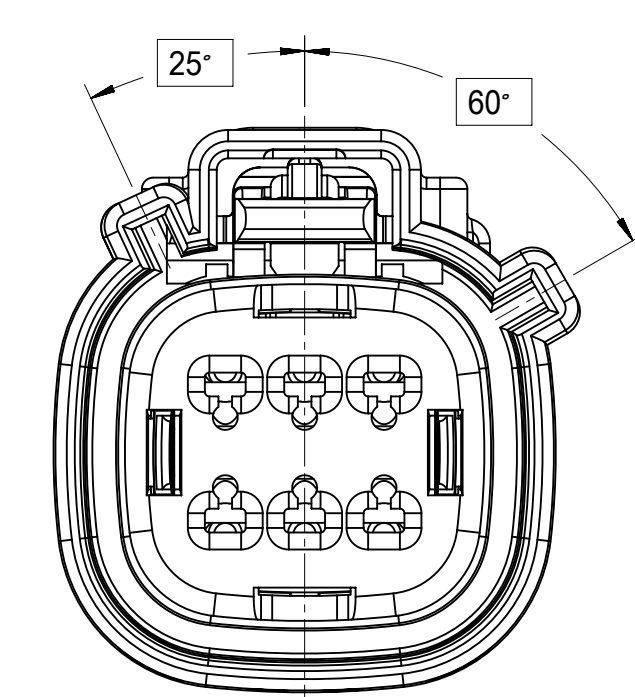
2X3



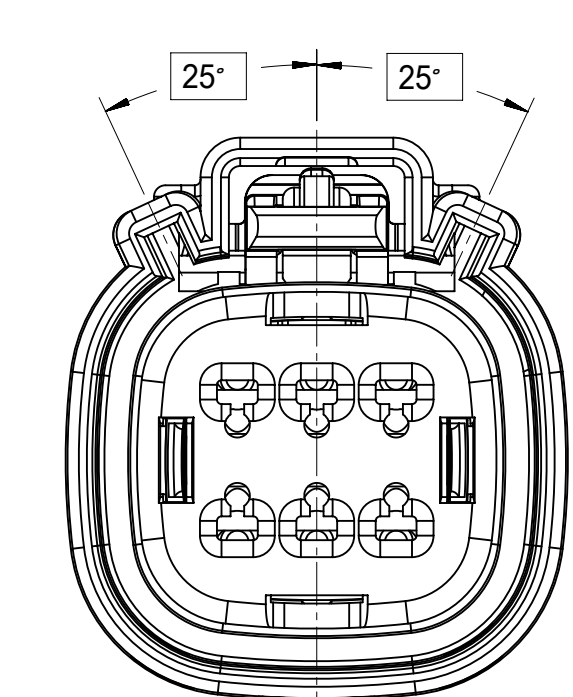
KEY A



KEY B

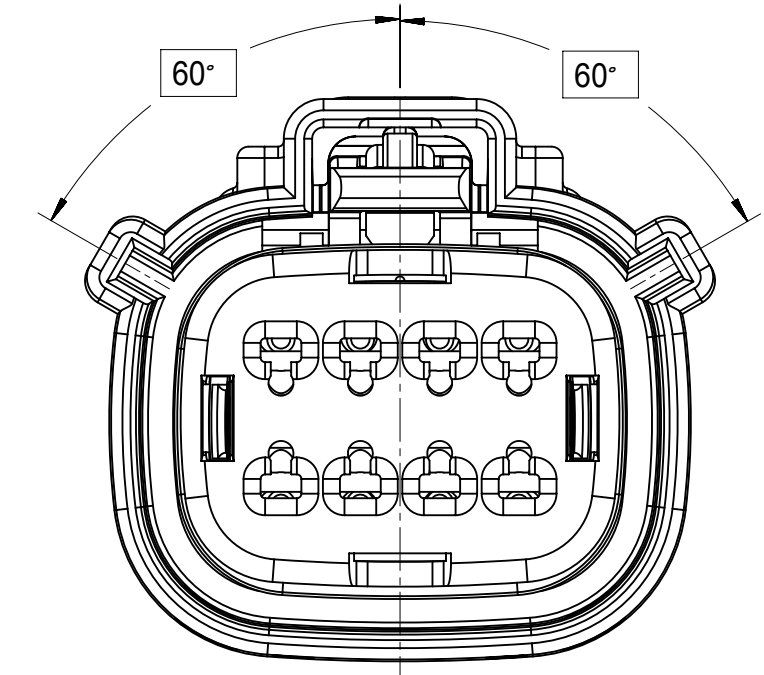


KEY C

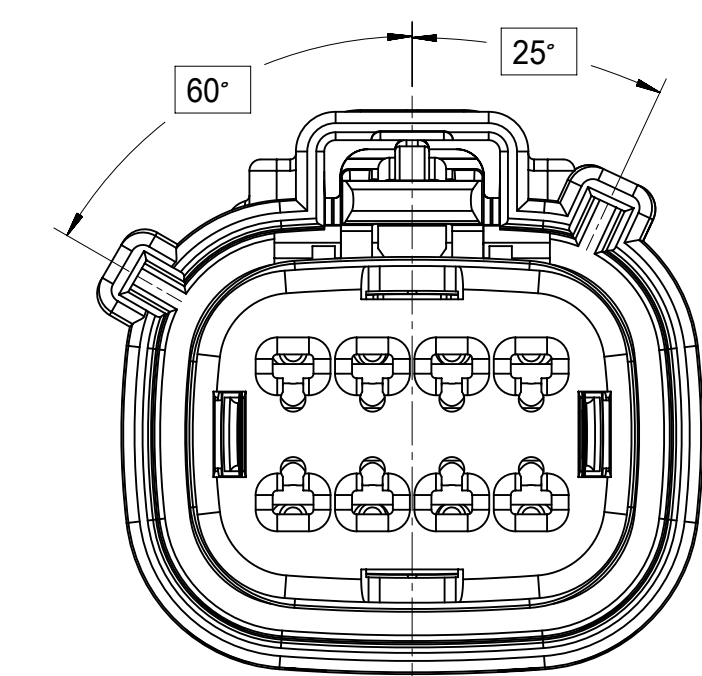


KEY D

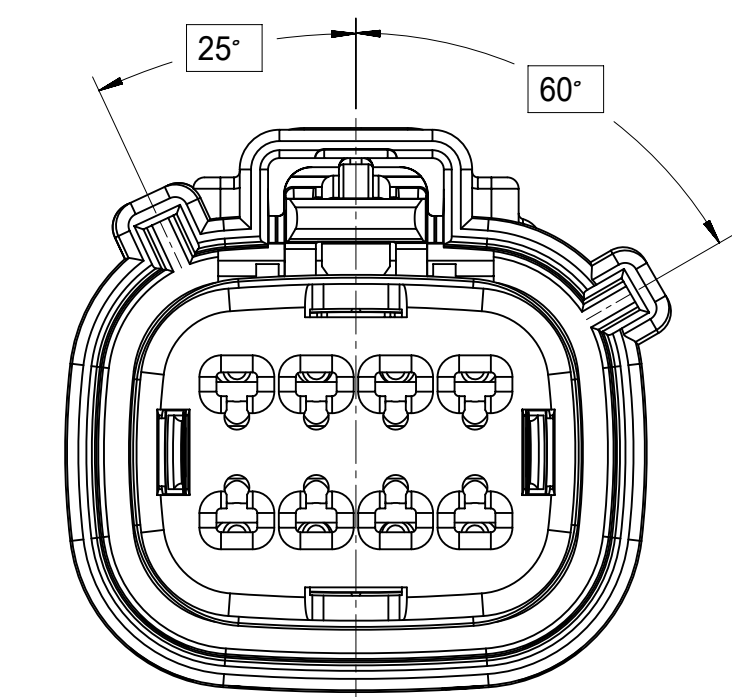
2X4



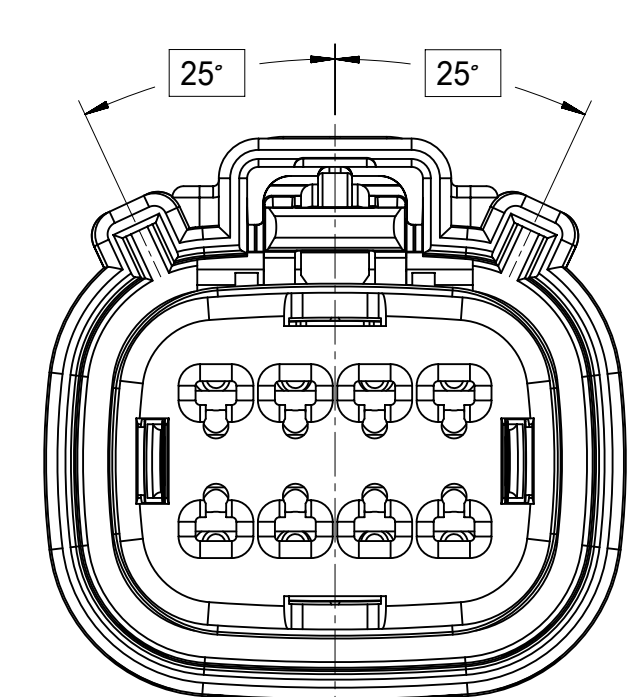
KEY A



KEY B



KEY C



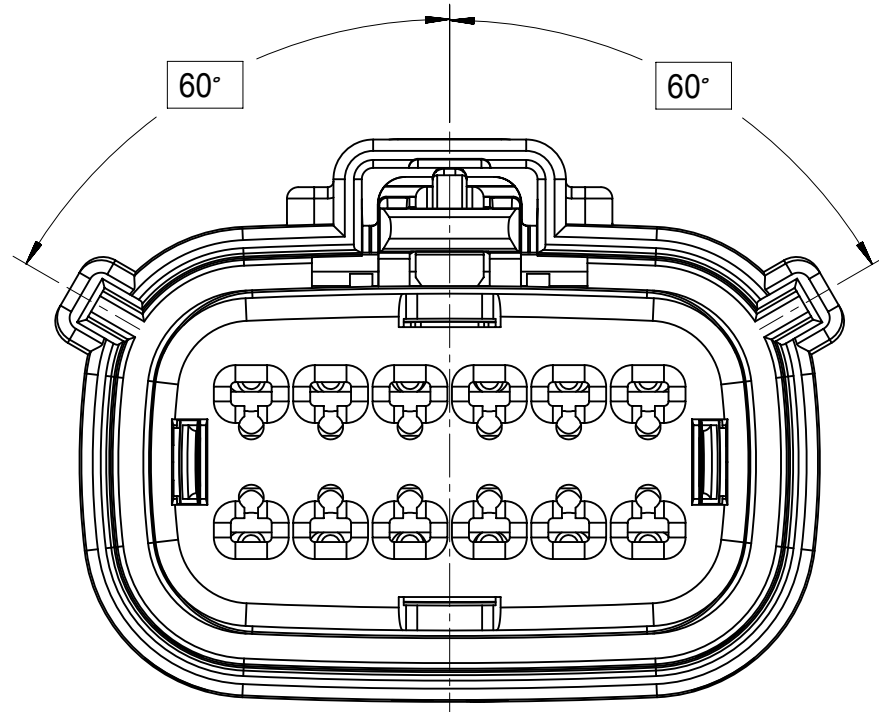
KEY D

SYMBOLS = 0 = 0 = 0 = 0 = 0 = 0 = 0 = 0 = 0 = 0	THIS DRAWING CONTAINS INFORMATION THAT IS PROPRIETARY TO MOLEX ELECTRONIC TECHNOLOGIES, LLC AND SHOULD NOT BE USED WITHOUT WRITTEN PERMISSION DIMENSION UNITS: mm SCALE: 1:1	CURRENT REV DESC: EC NO: 171650 DRWN: DDEB 2018/01/19 CHK'D: MVANSLAMBROU 2018/02/16 APPR: MVANSLAMBROU 2018/02/16			
	GENERAL TOLERANCES (UNLESS SPECIFIED) ANGULAR TOL ± 1.0° 4 PLACES ± 3 PLACES ± 2 PLACES ± 0.1 1 PLACE ± 0.2 0 PLACES ±	INITIAL REVISION: DRWN: APROFFITT 2014/05/14 APPR: VKOSHY 2014/06/27	PRODUCT CUSTOMER DRAWING DOCUMENT NUMBER: SD-33472-0001 DOC TYPE: PSD DOC PART: 001 REVISION: C2	MATERIAL NUMBER CUSTOMER: GENERAL MARKET	SHEET NUMBER 3 OF 11
DRAFT WHERE APPLICABLE MUST REMAIN WITHIN DIMENSIONS THIRD ANGLE PROJECTION DRAWING: A1-SIZE SERIES: 33472					

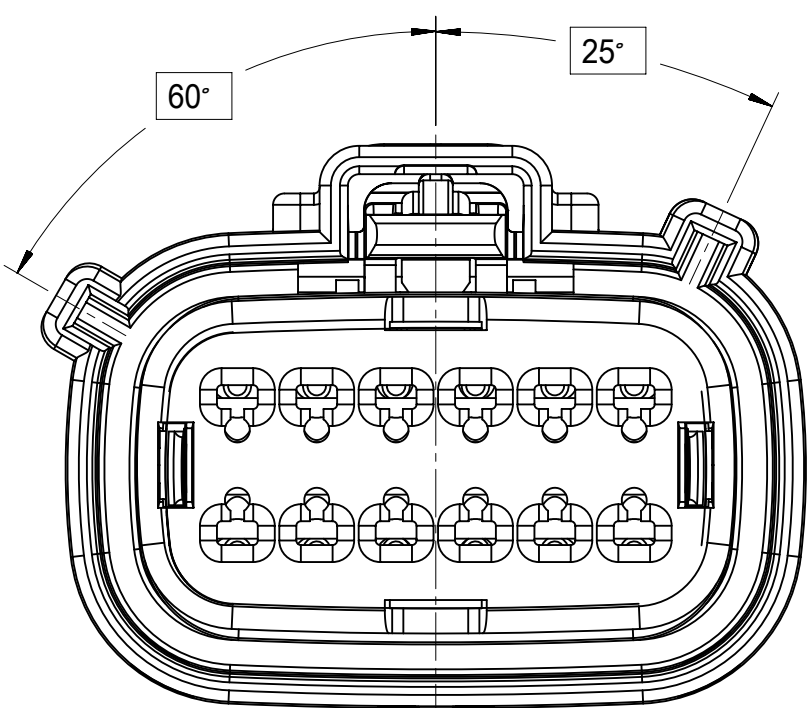
SHEET DESCRIPTION

KEY CONFIGURATIONS CONT.

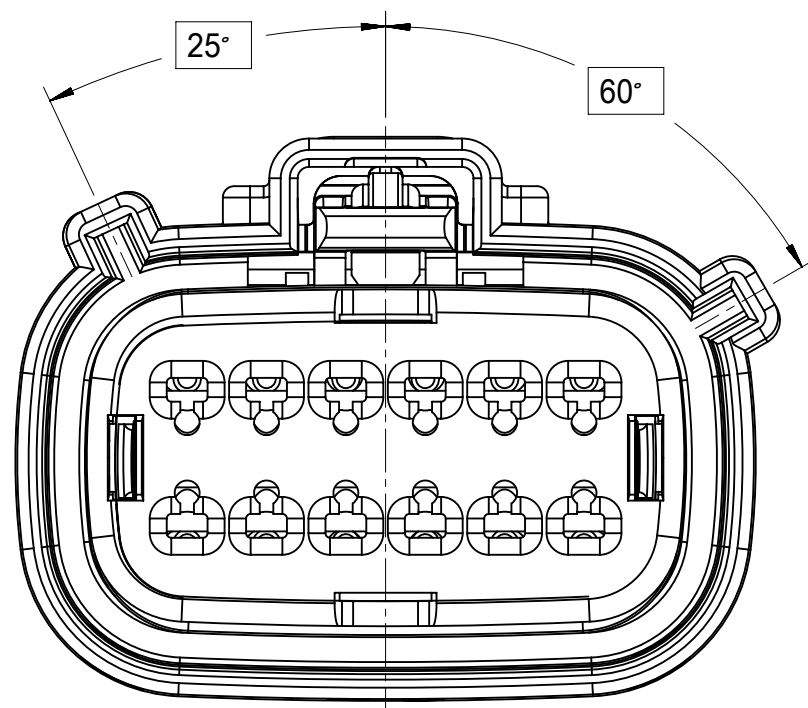
2X6



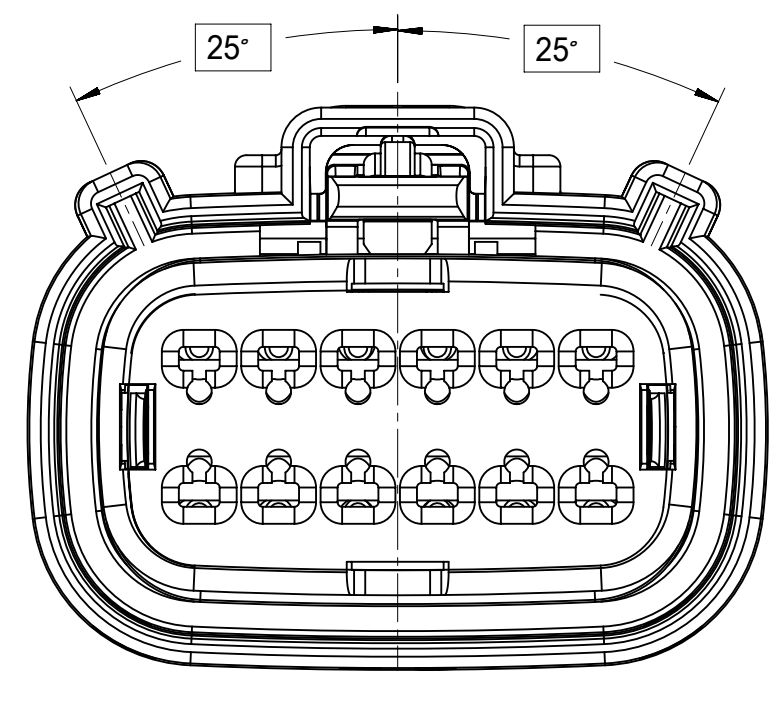
KEY A



KEY B

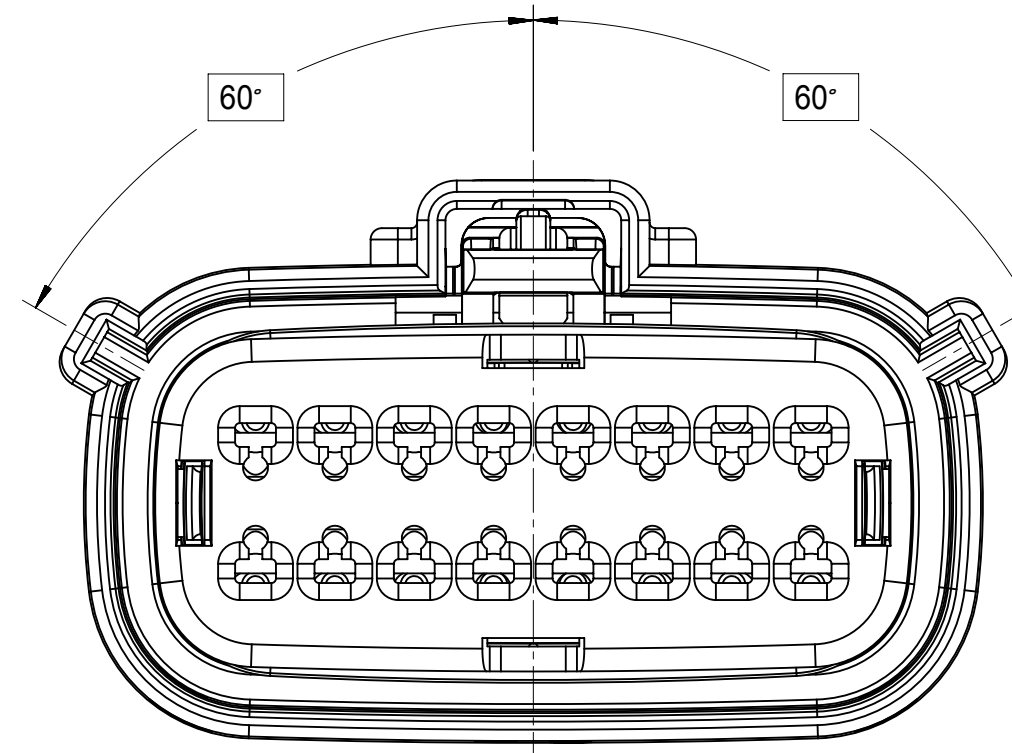


KEY C

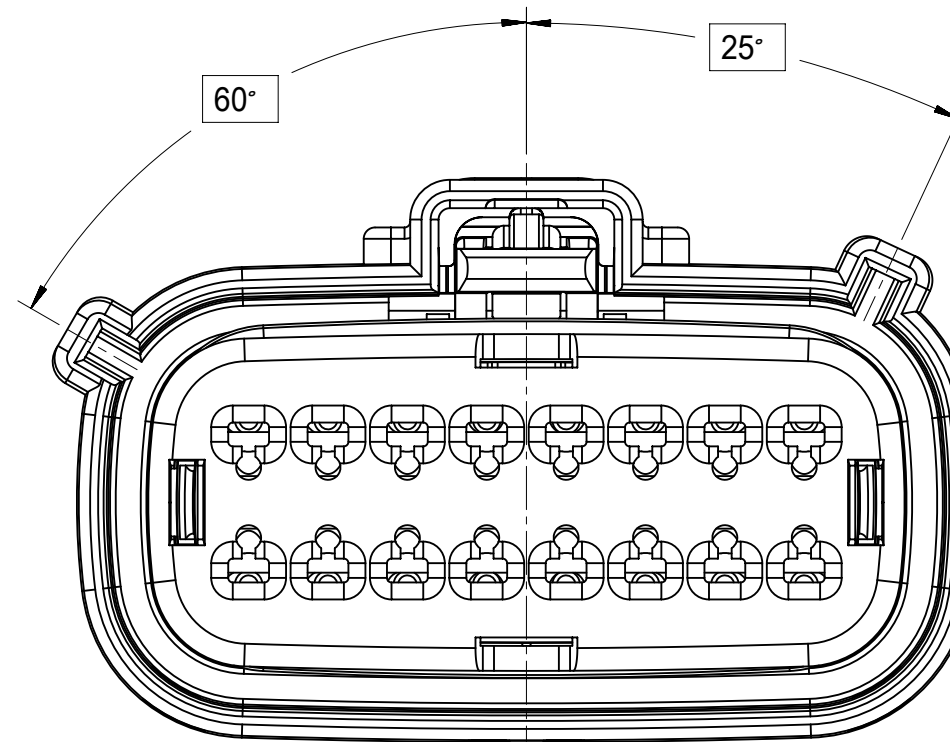


KEY D

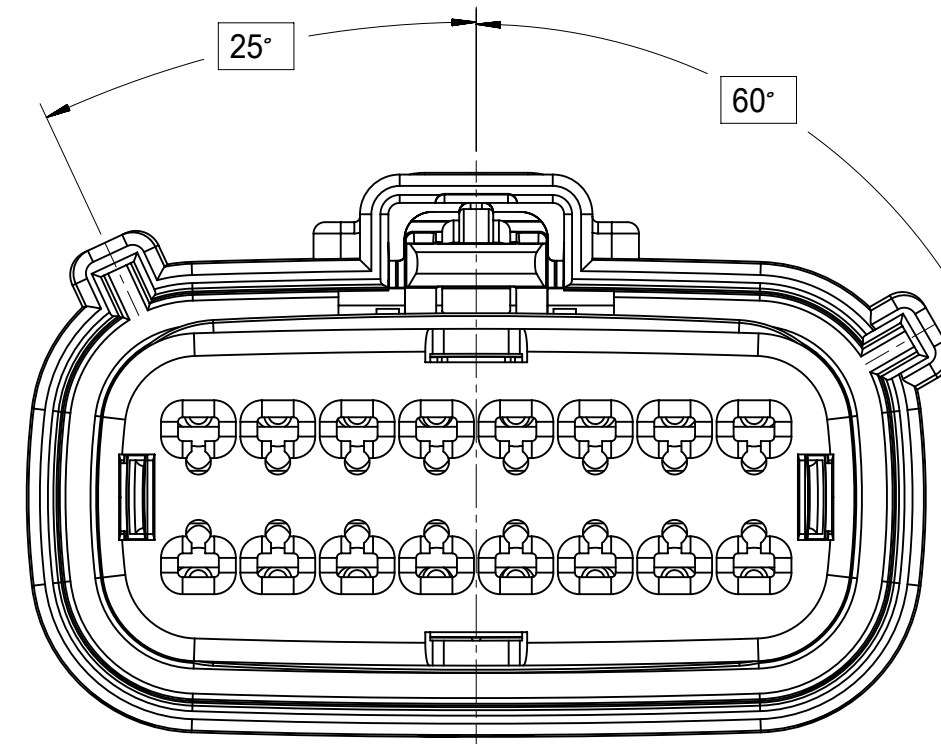
2X8



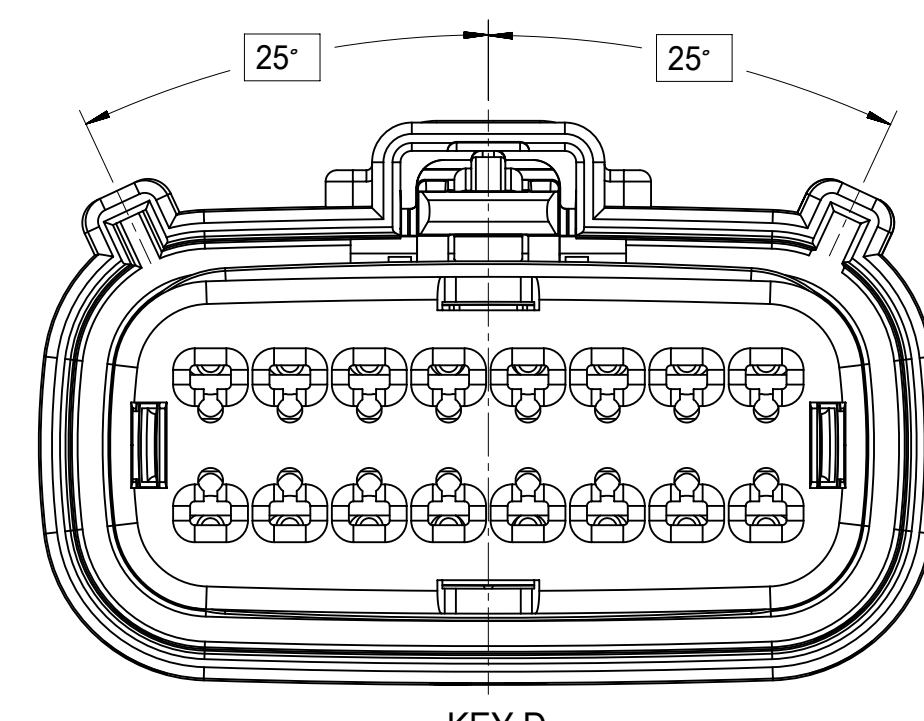
KEY A



KEY B

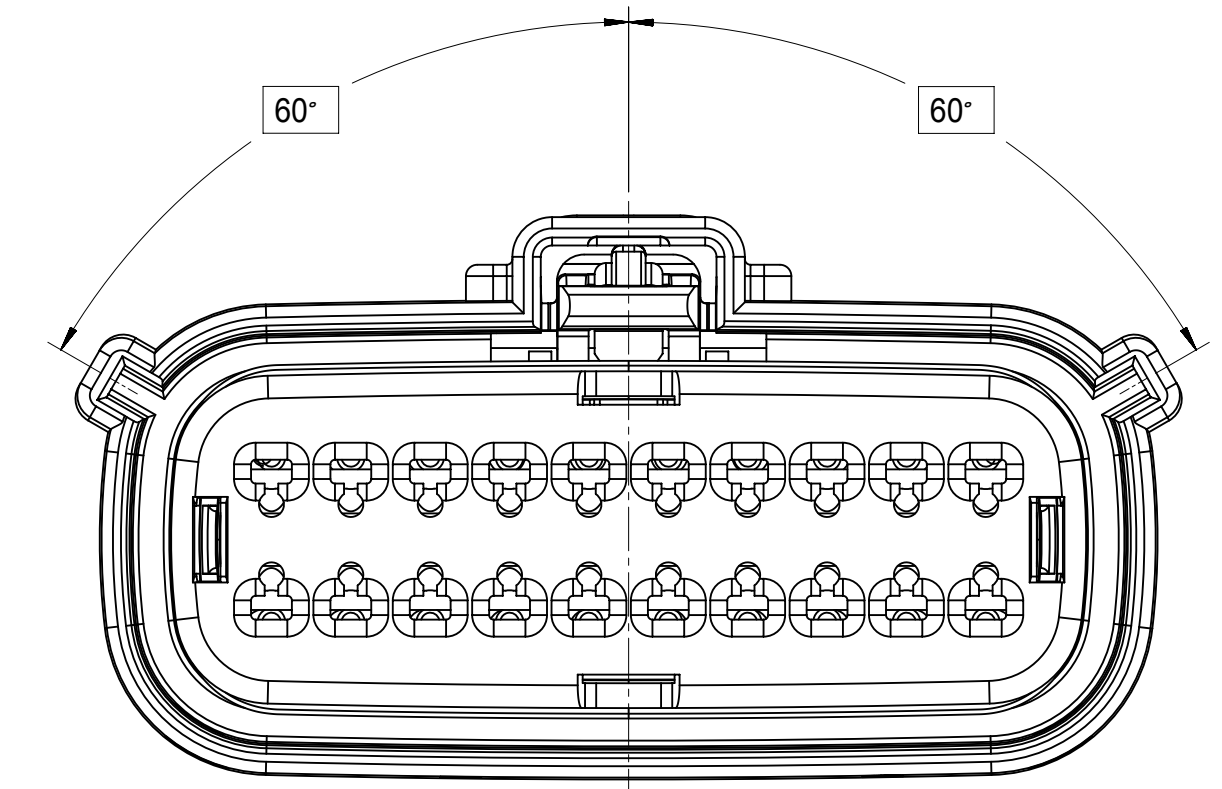


KEY C

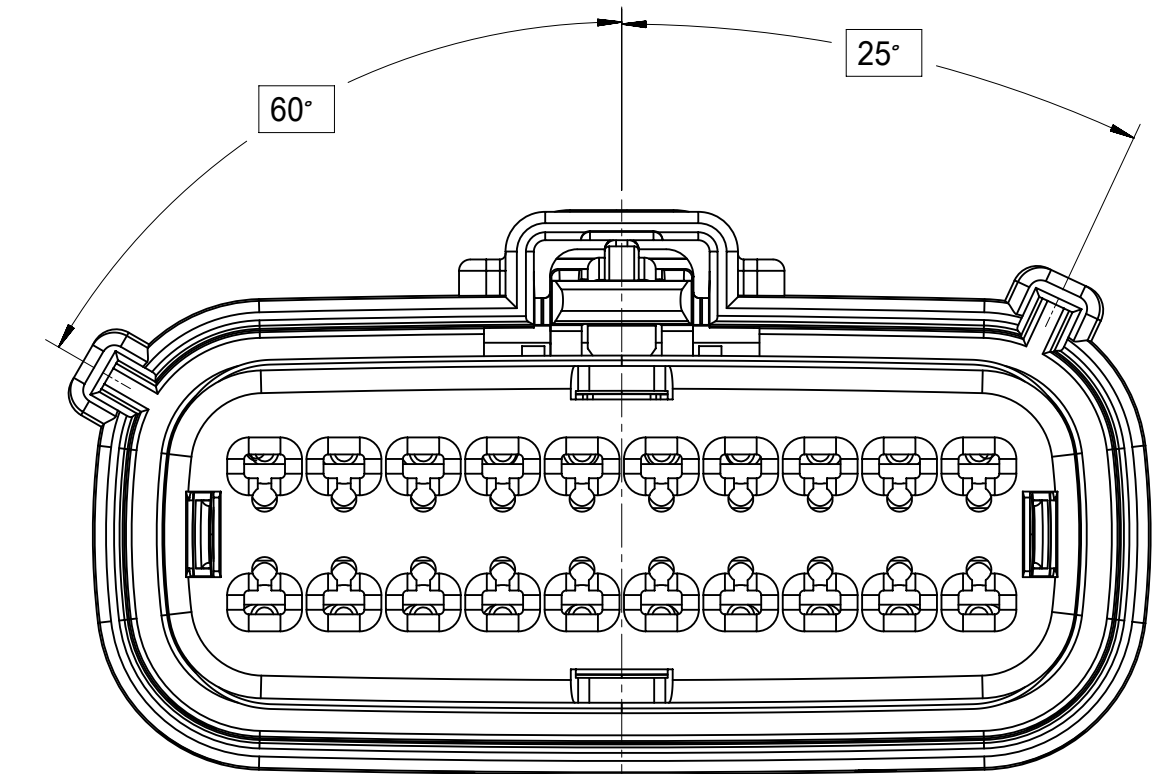


KEY D

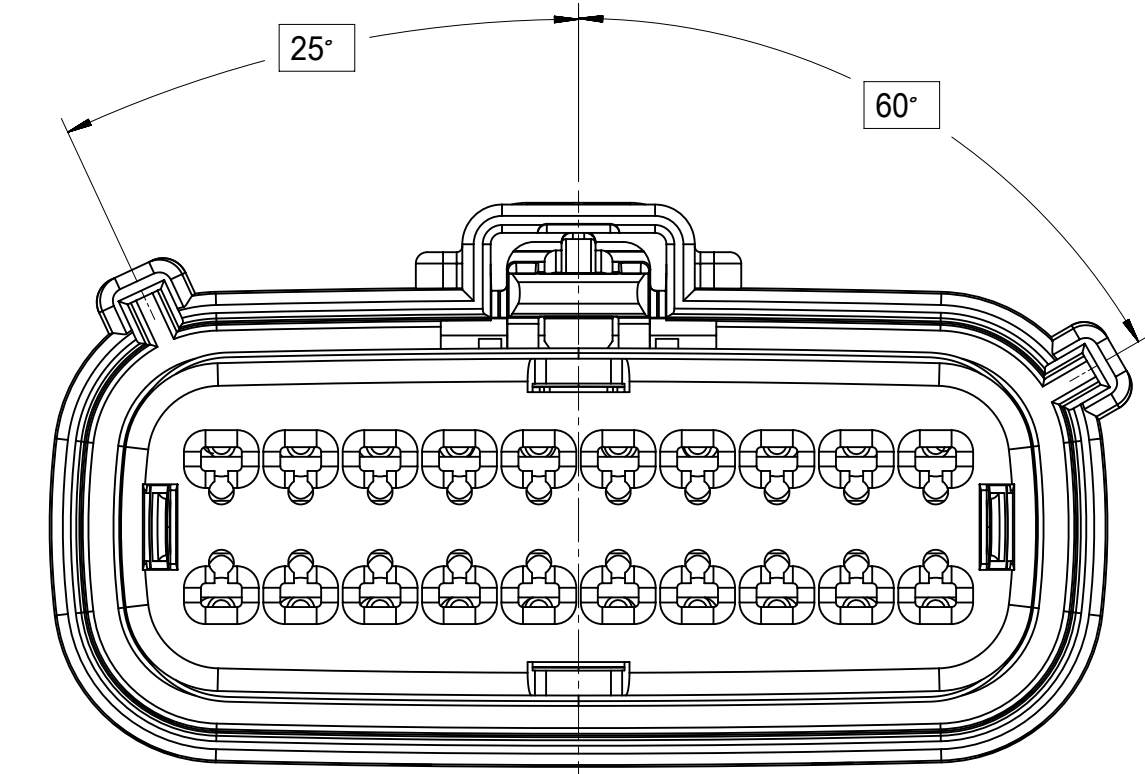
2X10



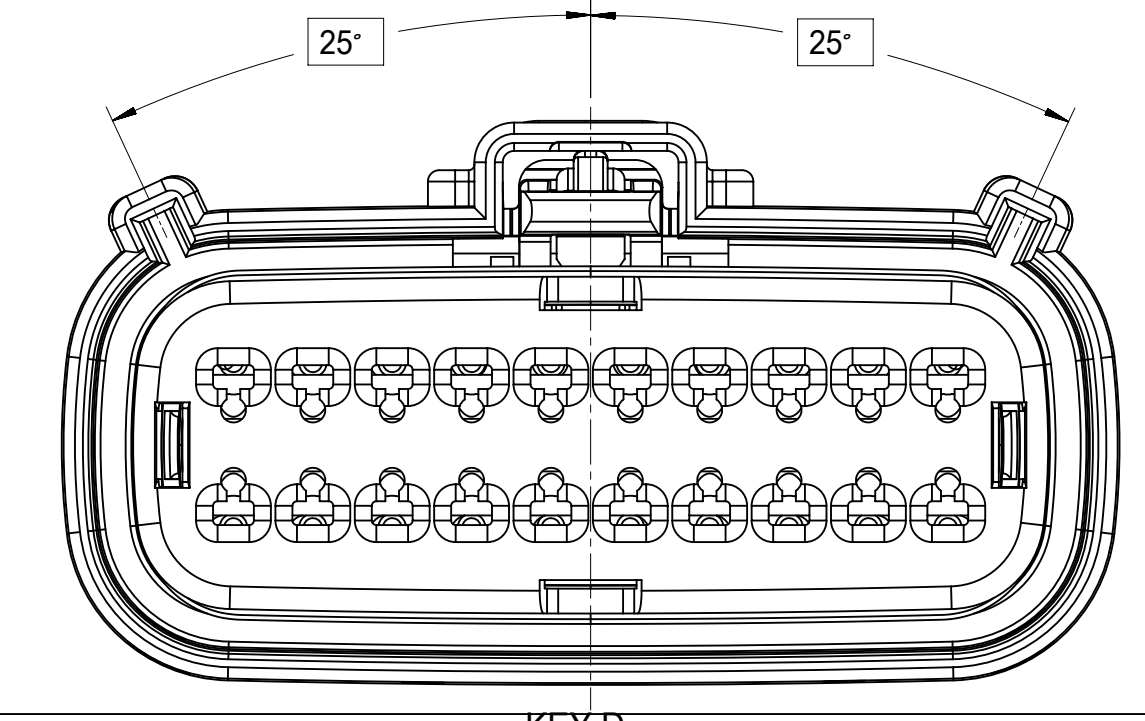
KEY A



KEY B



KEY C

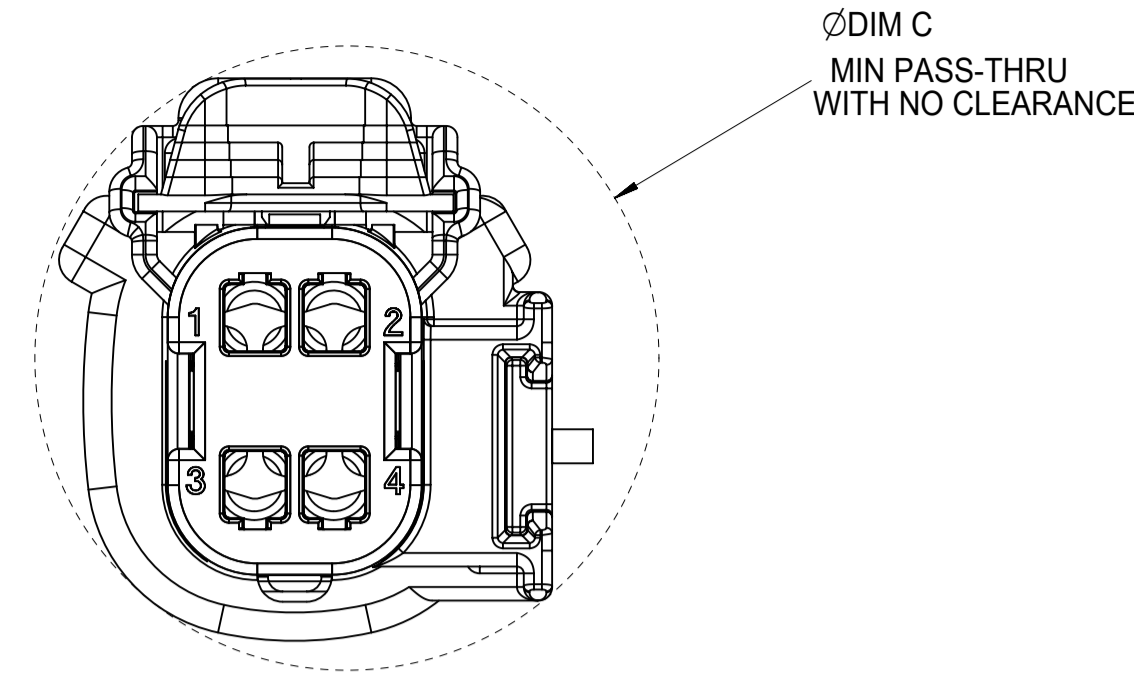
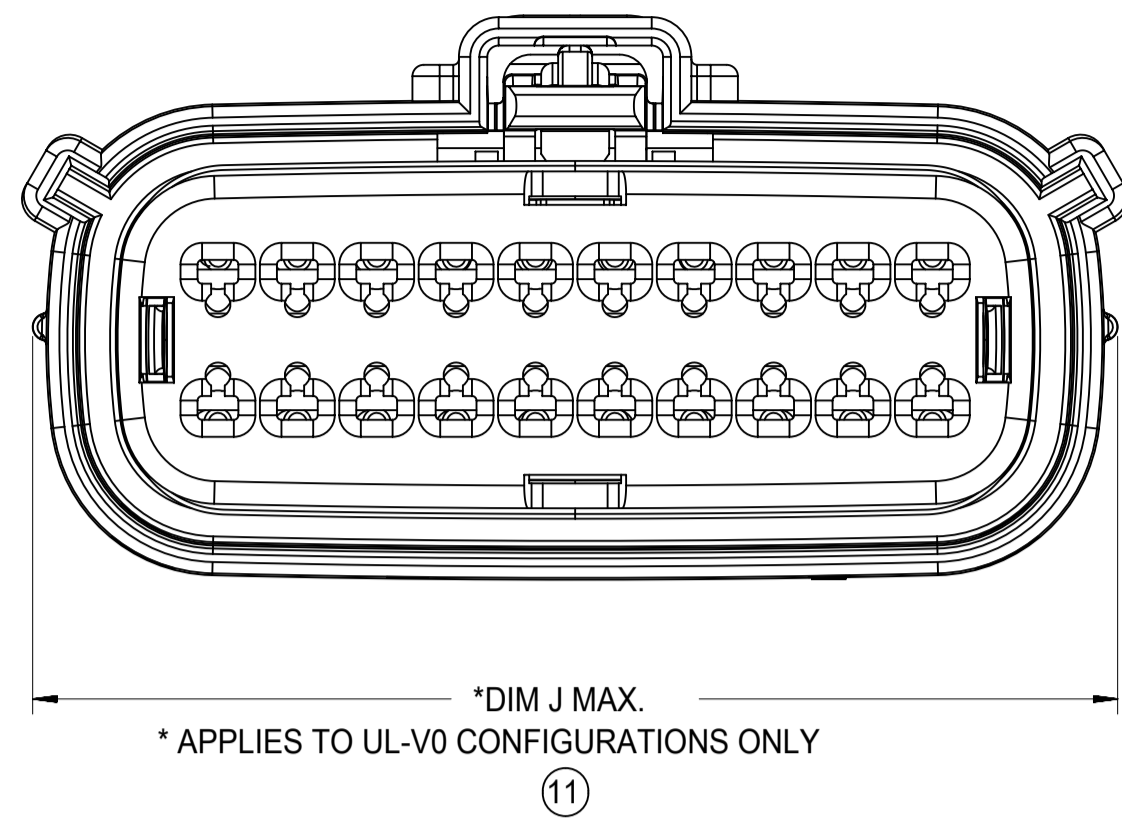


KEY D

SYMBOLS = 0 = 0 = 0 = 0 = 0 = 0 = 0 = 0 = 0 = 0	THIS DRAWING CONTAINS INFORMATION THAT IS PROPRIETARY TO MOLEX ELECTRONIC TECHNOLOGIES, LLC AND SHOULD NOT BE USED WITHOUT WRITTEN PERMISSION		CURRENT REV DESC: EC NO: 171650 DRWN: DDEB 2018/01/19 CHK'D: MVANSLAMBROU 2018/02/16 APPR: MVANSLAMBROU 2018/02/16		 MX150 RCPT DUAL ROW SEALED ASSEMBLY MAT SEAL
	DIMENSION UNITS: mm SCALE: 1:1	GENERAL TOLERANCES (UNLESS SPECIFIED) ANGULAR TOL ± 1.0° 4 PLACES ± 3 PLACES ± 2 PLACES ± 0.1 1 PLACE ± 0.2 0 PLACES ±		INITIAL REVISION: DRWN: APROFFITT 2014/05/14 APPR: VKOSHY 2014/06/27	
DRAFT WHERE APPLICABLE MUST REMAIN WITHIN DIMENSIONS		THIRD ANGLE PROJECTION	DRAWING: A1-SIZE	SERIES: 33472	DOCUMENT NUMBER: SD-33472-0001 DOC TYPE: PSD DOC PART: 001 REVISION: C2
PRODUCT CUSTOMER DRAWING		MATERIAL NUMBER: _____ CUSTOMER: GENERAL MARKET		SHEET NUMBER: 4 OF 11	

SHEET DESCRIPTION

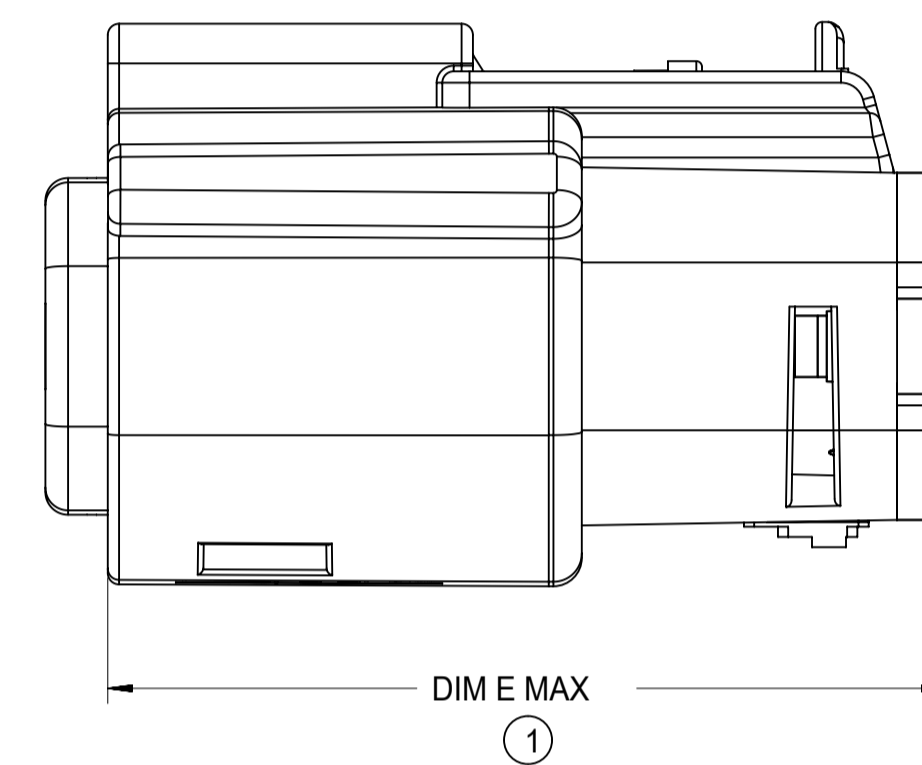
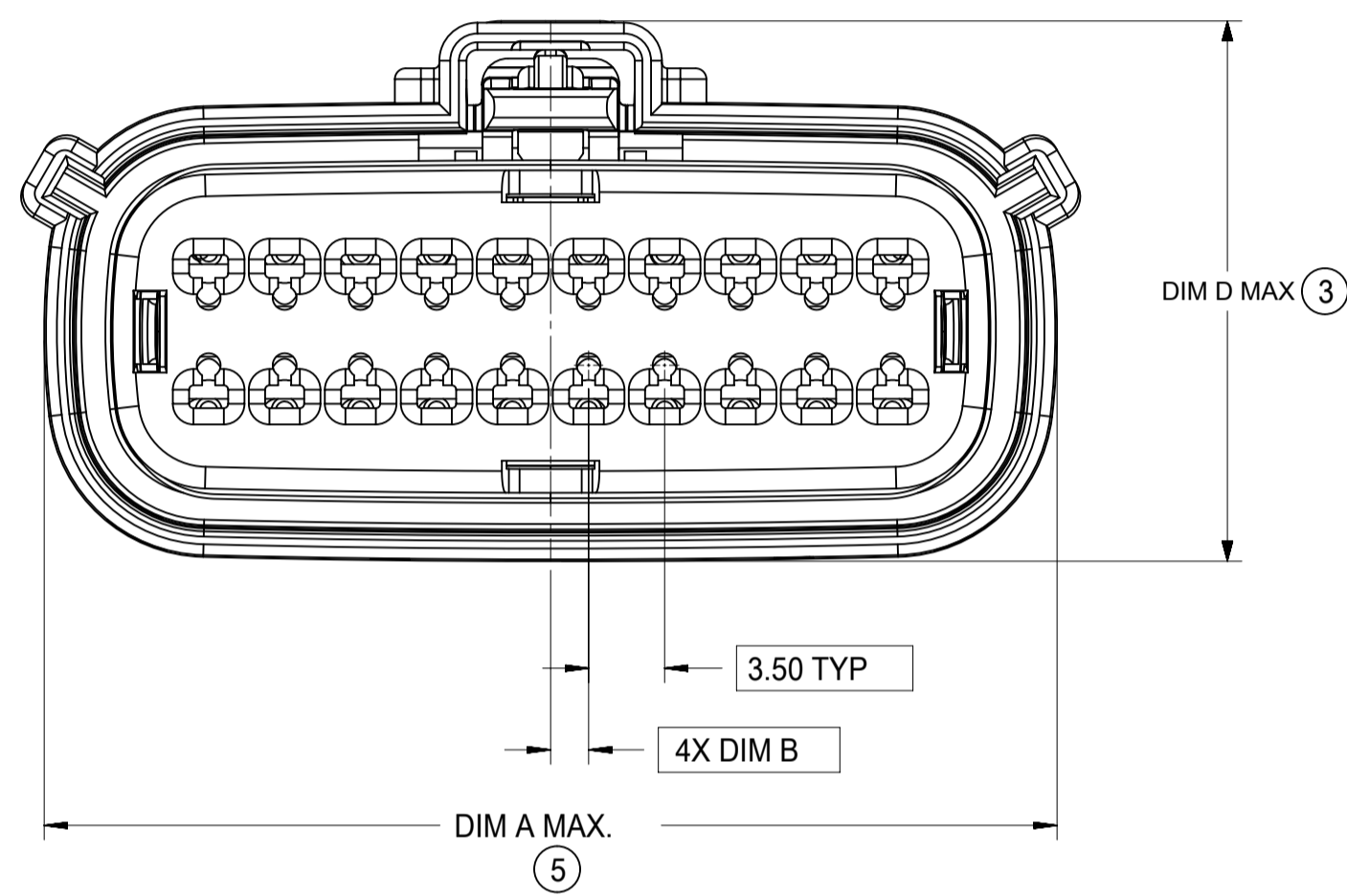
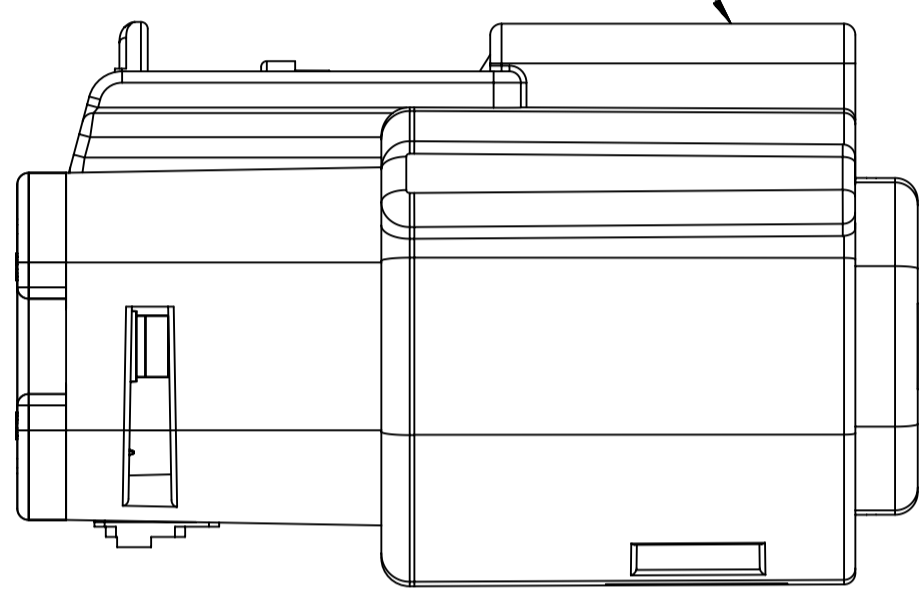
RECEPTACLE CONNECTOR ASSEMBLY



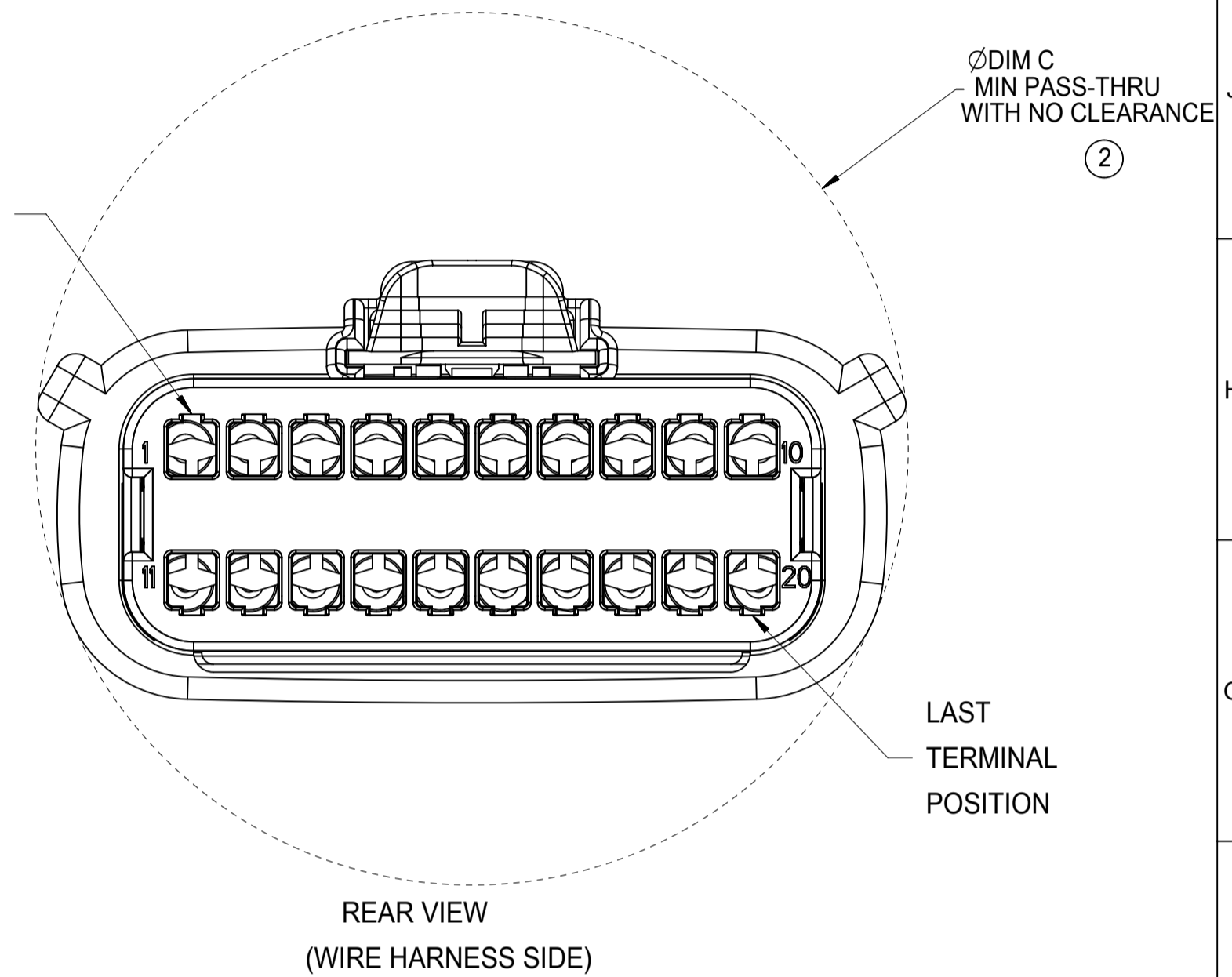
② APPLIES TO 2X2 - STD. - WITH CLIPSLOT ONLY

DESCRIPTION	DIMENSIONS						
	A	B	C	D	E	F	J
2X2 W/O CLIPSLOT	18.58	1.75	25.45	24.81	37.65	N/A	2.75±0.50
2X2 W/ CLIPSLOT	18.58	1.75	27.65	24.81	37.65	N/A	2.75±0.50
2X2 LENGTHENED	18.58	1.75	25.45	24.81	42.25	N/A	2.75±0.50
2X3 W/ CLIPSLOT	22.25	3.5	30.50	N/A	37.65	27.96	4.0±0.4
2X3 W/O CLIPSLOT	22.25	3.5	26.24	24.90	37.65	N/A	4.0±0.4
2X4 W/ CLIPSLOT	25.75	1.75	31.50	N/A	37.65	28.00	2.75±0.50
2X4 W/O CLIPSLOT	25.75	1.75	29.19	24.81	37.65	N/A	2.75±0.50
2X6 W/ CLIPSLOT	32.75	1.75	35.58	N/A	37.65	27.76	2.75±0.50
2X6 W/O CLIPSLOT	32.75	1.75	35.58	24.90	37.65	N/A	2.75±0.50
2X6 W/O CLIPSLOT V0	32.75	1.75	35.58	25.0	37.65	N/A	2.75±0.50
2X8 W/O CLIPSLOT	39.80	1.75	42.25	24.90	37.65	N/A	4.0±0.4
2X8 W/ CLIPSLOT	39.80	1.75	42.25	N/A	37.65	27.80	4.0±0.4
2X10 W/O CLIPSLOT	46.75	1.75	49.95	24.90	37.65	N/A	2.75±0.50
2X10 W/ CLIPSLOT	46.75	1.75	49.95	N/A	37.65	27.80	2.75±0.50

LASER MARKING ON THIS SURFACE
SEE NOTE 3g.

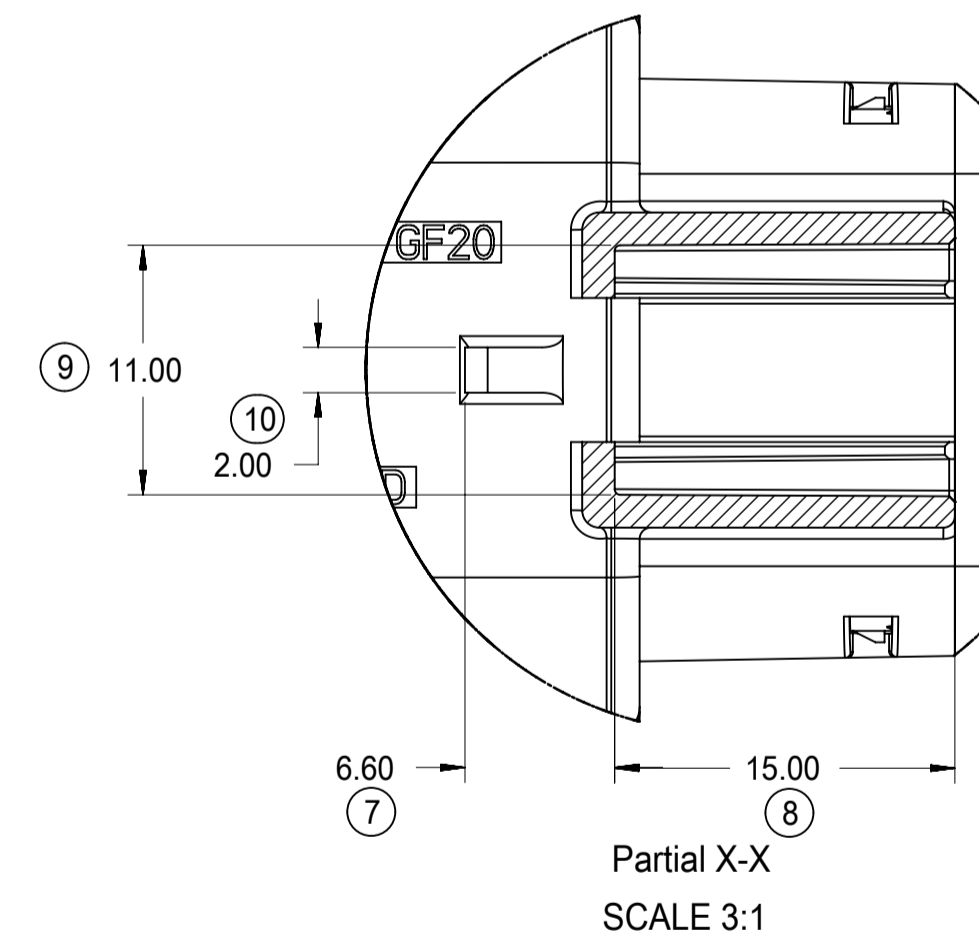
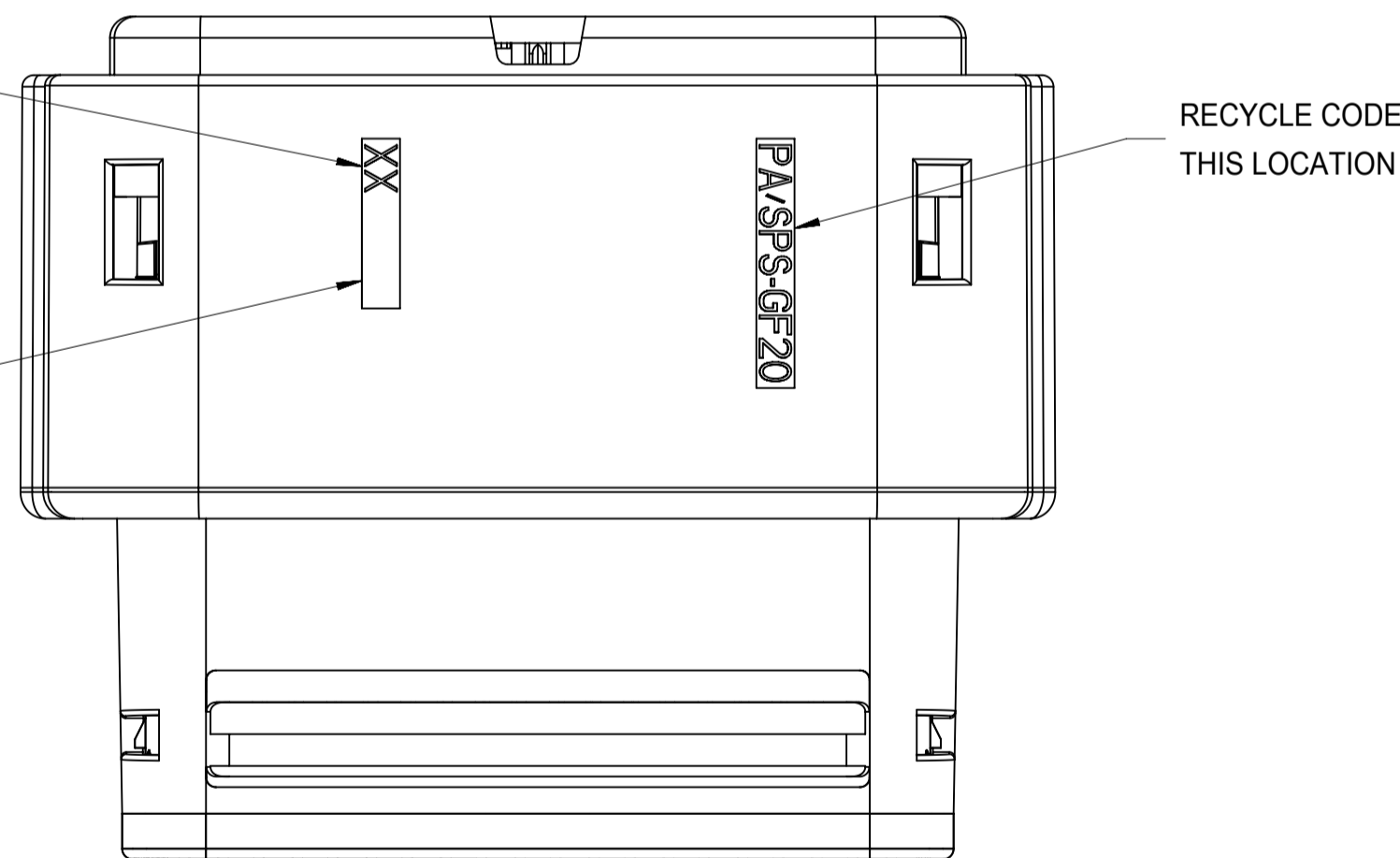


TERMINAL POSITION 1

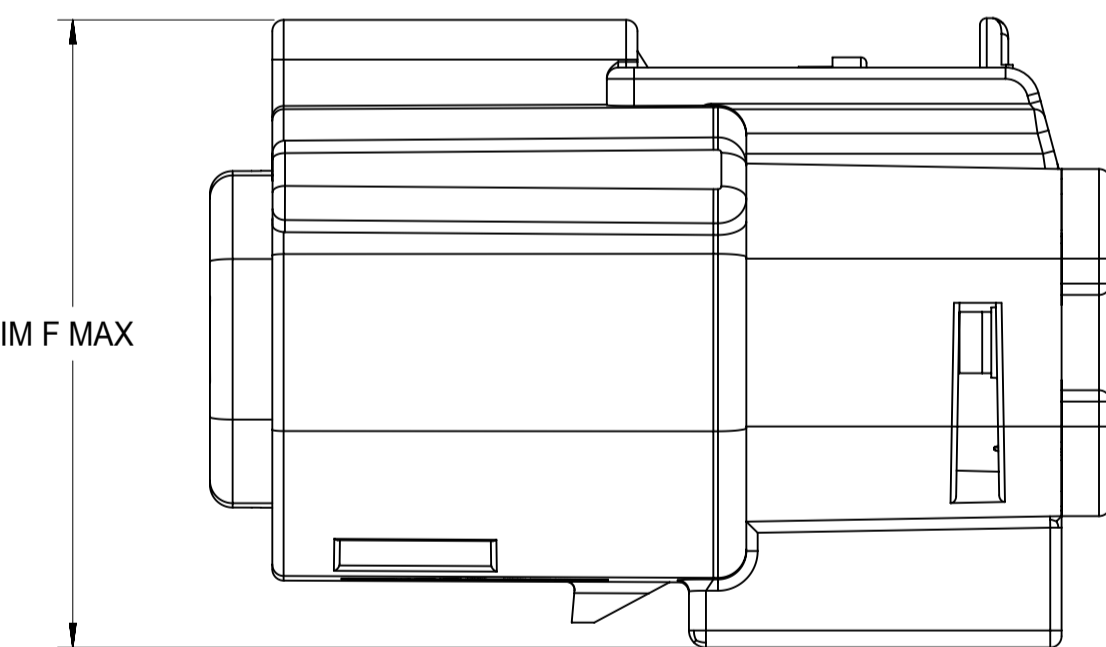


MOLD CAVITY I.D.
THIS LOCATION

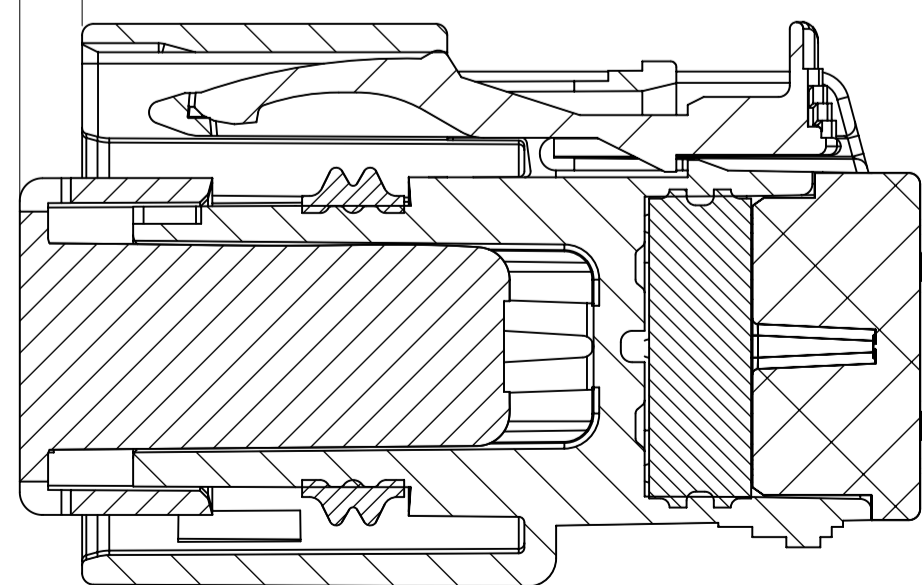
MANUFACTURING LOCATION
CODE THIS LOCATION



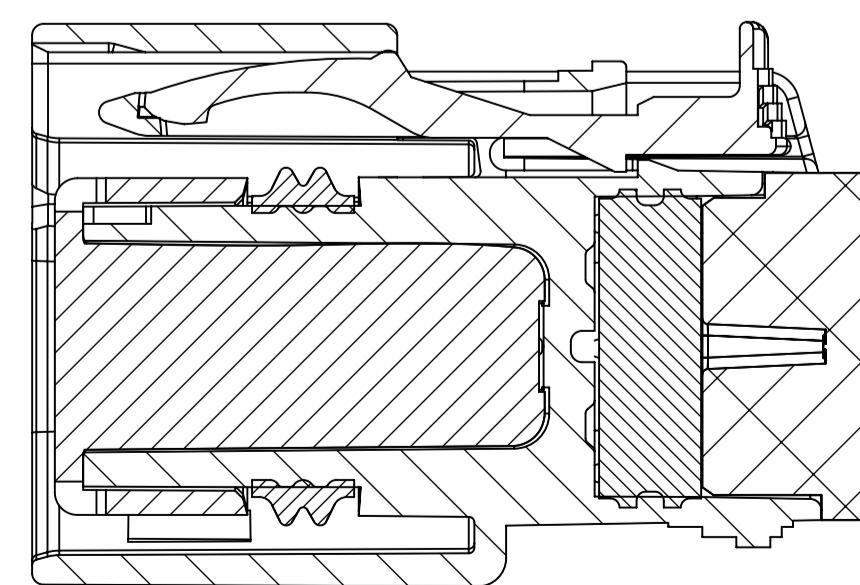
④ DIM F MAX



DIM G ⑥



SECTION Y-Y



SECTION Z-Z

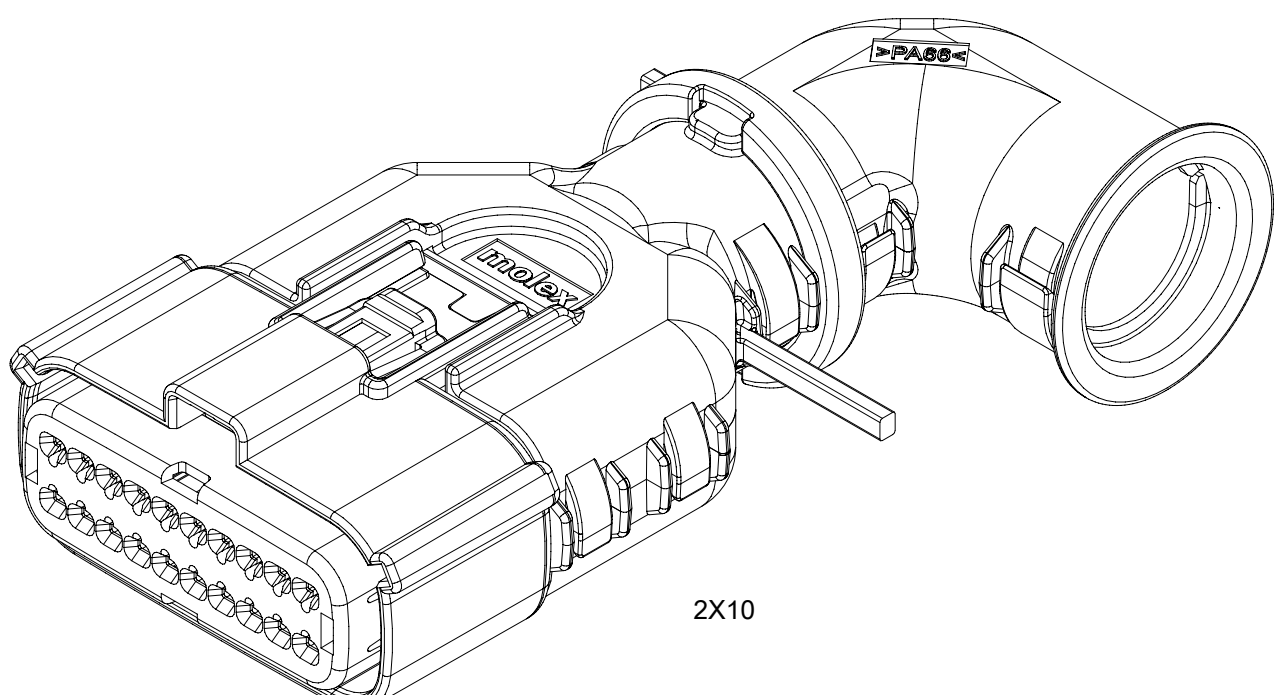
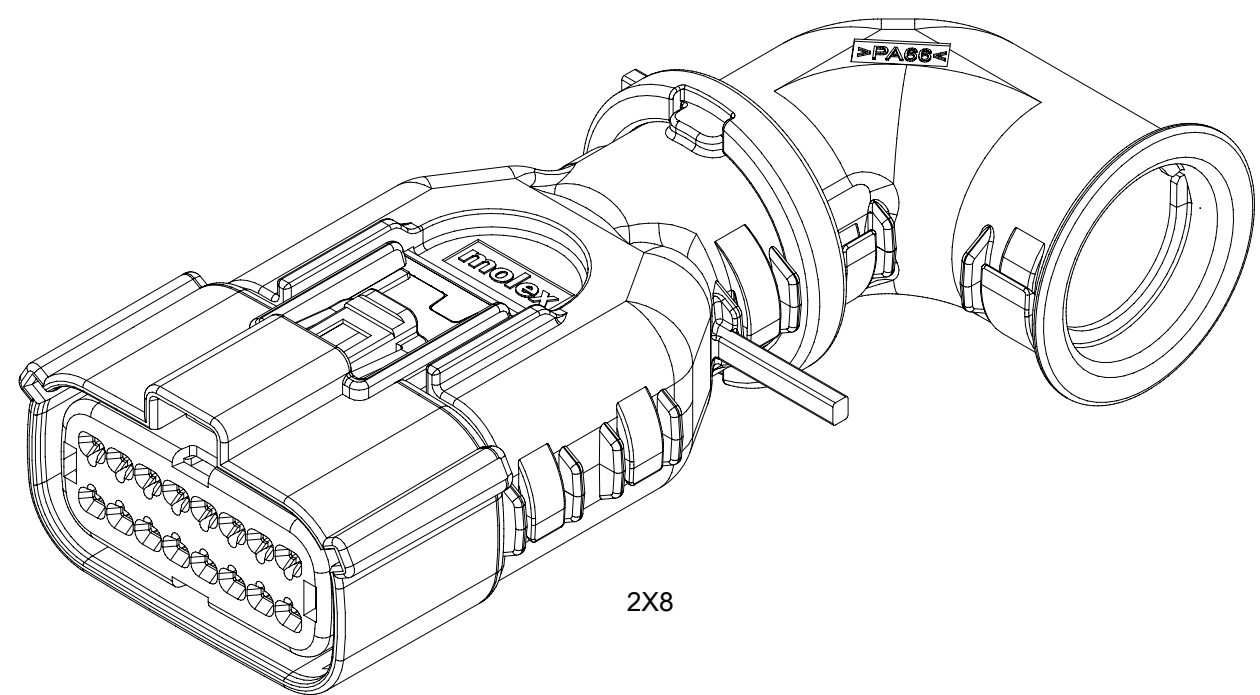
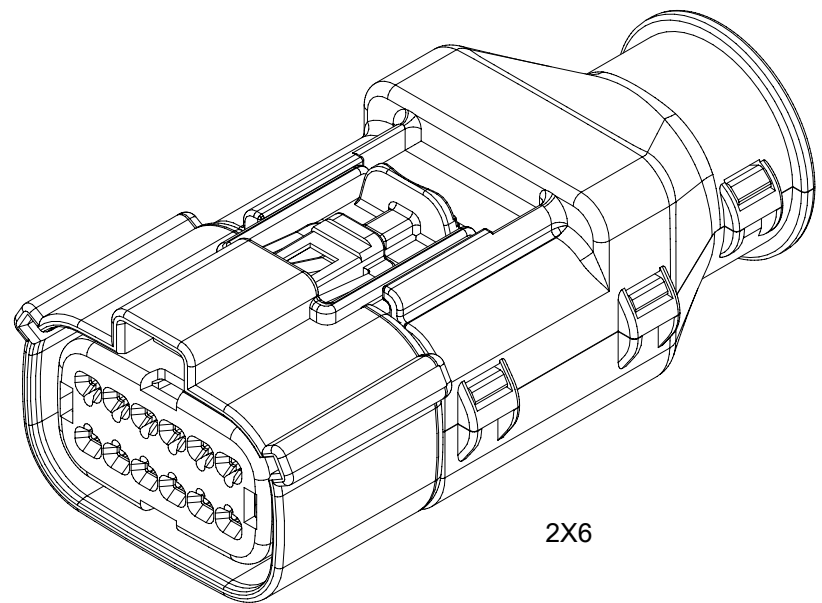
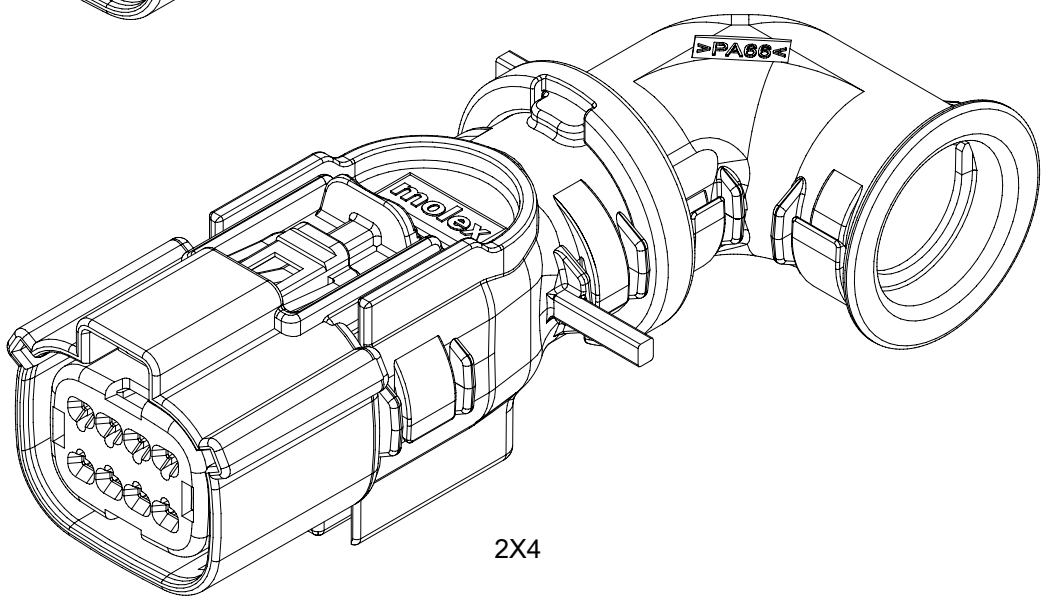
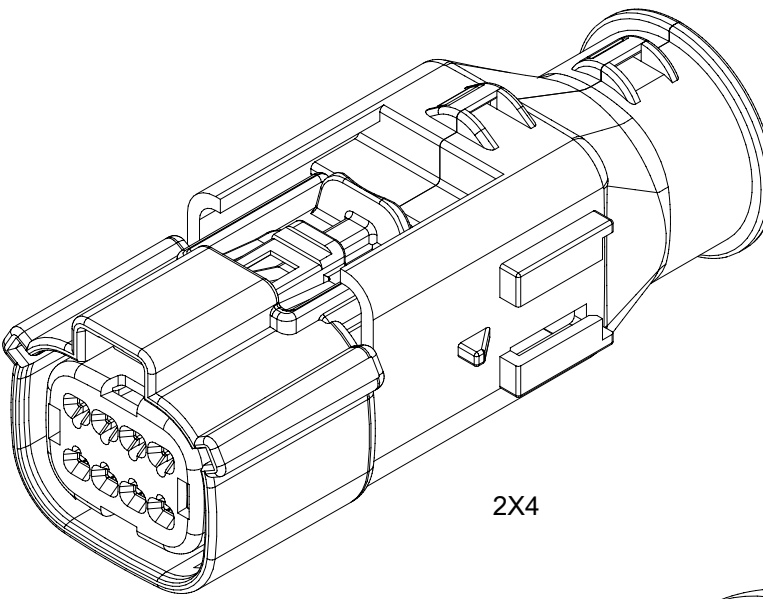
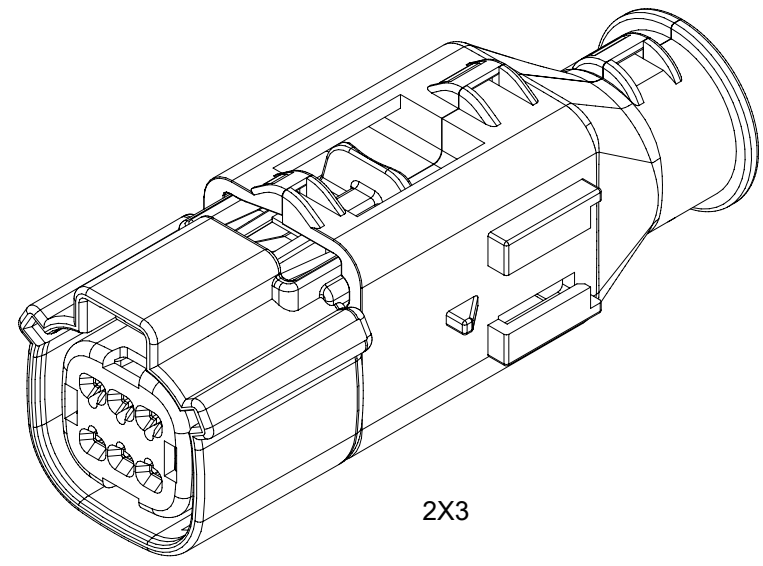
SYMBOLS		THIS DRAWING CONTAINS INFORMATION THAT IS PROPRIETARY TO MOLEX ELECTRONIC TECHNOLOGIES, LLC AND SHOULD NOT BE USED WITHOUT WRITTEN PERMISSION		CURRENT REV DESC:		molex	
▽ = 0	DIMENSION UNITS	mm	SCALE	1:1		MX150 RCPT	
▽ = 0	GENERAL TOLERANCES (UNLESS SPECIFIED)			EC NO: 171650		DUAL ROW SEALED ASSEMBLY MAT SEAL	
▽ = 0	ANGULAR TOL	±	1.0°	DRWN: DDEB 2018/01/19		PRODUCT CUSTOMER DRAWING	
▽ = 0	4 PLACES	±		CHK'D: MVANSLAMBROU 2018/02/16		DOCUMENT NUMBER	
▽ = 0	3 PLACES	±		APPR: MVANSLAMBROU 2018/02/16		DOC TYPE DOC PART REVISION	
▽ = 0	2 PLACES	±	0.1	INITIAL REVISION:		SD-33472-0001	
▽ = 0	1 PLACE	±	0.2	DRWN: APROFFITT 2014/05/14		PSD 001 C2	
▽ = 0	0 PLACES	±		APPR: VKOSHY 2014/06/27		CUSTOMER	
▽ = 0	DRAFT WHERE APPLICABLE MUST REMAIN WITHIN DIMENSIONS			THIRD ANGLE PROJECTION		SHEET NUMBER	
▽ = 0				DRAWING		GENERAL MARKET	
				A1-SIZE		5 OF 11	
				SERIES			
				33472			

SHEET DESCRIPTION
BACKSHELL NOTES

BACKSHELL NOTES: VALID UNLESS OTHERWISE SPECIFIED

1. GENERAL:

- a. APPLICATION SPECIFICATION SEE: AS-34951-001
 - DESIGNED TO MATE WITH RECEPTACLE SEALED ASSEMBLY SPECIFIED IN MOLEX DRAWING SD-33472-0001.
 - SYSTEM TO BE USED WITH WIRE WITHIN DIAMETER RANGE OF 1.2mm TO 2.69mm.
 - COMPONENTS ARE OPTIONAL AND MUST BE PURCHASED SEPERATELY.
 - DESIGN IS OWNED BY SCHLEMMER FOR SCHLEMMER BACKSHELL.
 - DESIGN IS OWNED BY MOLEX FOR MOLEX BACKSHELL.
 - 90° ADAPTOR DESIGN IS OWNED BY MOLEX.
 - FOR ADDITIONAL INFORMATION SEE THE BACKSHELL COMPONENT DRAWING SD-34951-0001.



BACKSHELL CUSTOMER MODEL NUMBER LEGEND

34951-XXXX

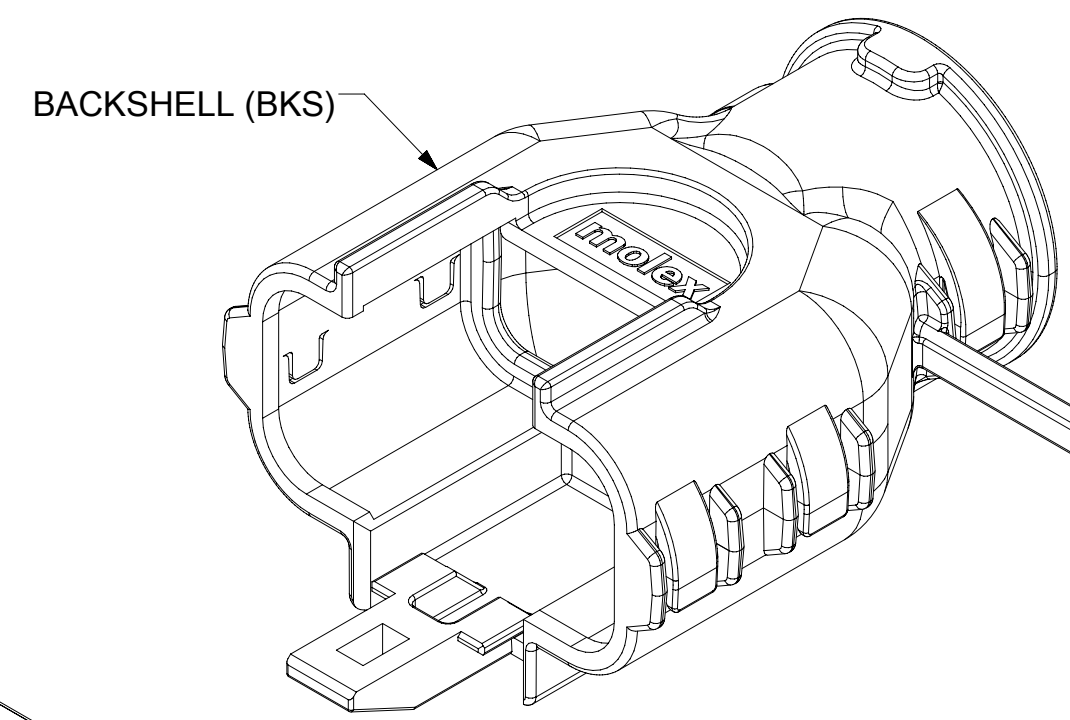
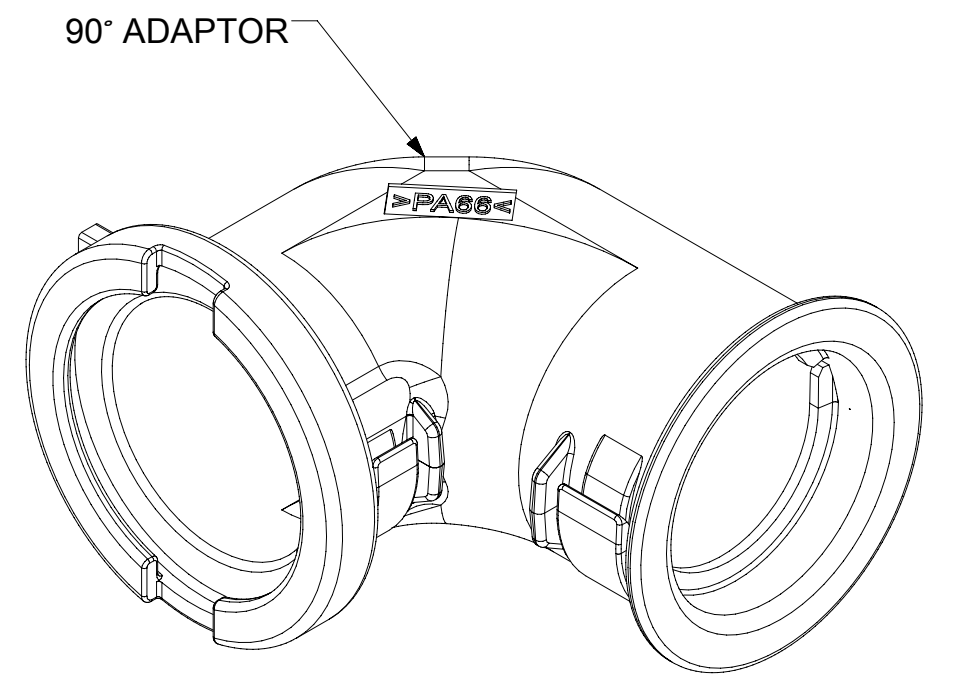
CUSTOMER MODEL COMPONENTS

- 0 - SCHLEMMER BACKSHELL ONLY
- 1 - SCHLEMMER BACKSHELL & MX150 HOUSING KEY A ASSEMBLY
- 2 - SCHLEMMER BACKSHELL & MX150 HOUSING KEY B ASSEMBLY
- 3 - SCHLEMMER BACKSHELL & MX150 HOUSING KEY C ASSEMBLY
- 4 - SCHLEMMER BACKSHELL & MX150 HOUSING KEY D ASSEMBLY
- 5 - MOLEX BACKSHELL ONLY
- 6 - MOLEX BACKSHELL & MX150 HOUSING KEY A ASSEMBLY
- 7 - MOLEX BACKSHELL & MX150 HOUSING KEY B ASSEMBLY
- 8 - MOLEX BACKSHELL & MX150 HOUSING KEY C ASSEMBLY
- 9 - MOLEX BACKSHELL & MX150 HOUSING KEY D ASSEMBLY

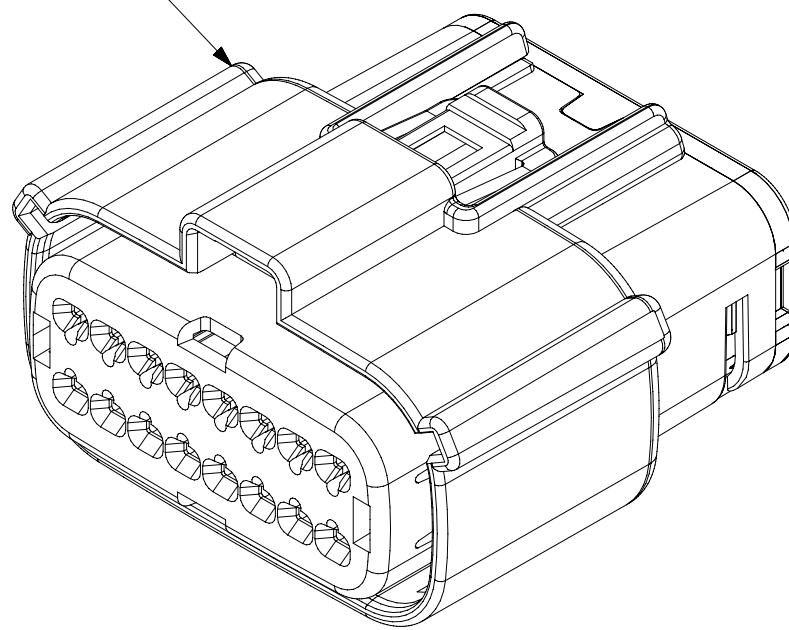
BACKSHELL FEATURES

- 1 - WITH RIBS
- 2 - WITHOUT RIBS
- 3 - 90° ADAPTOR

MX150 CIRCUIT SIZE 04, 06, 08, 12, 16, 20



RECEPTACLE SEALED ASSEMBLY

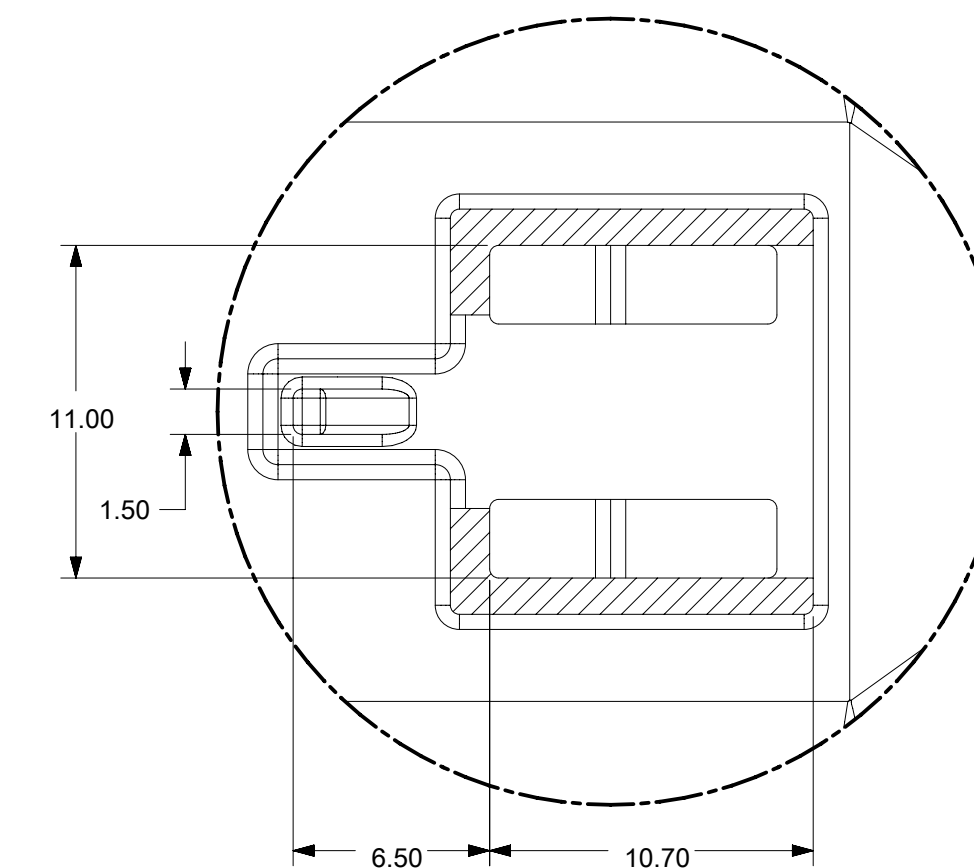
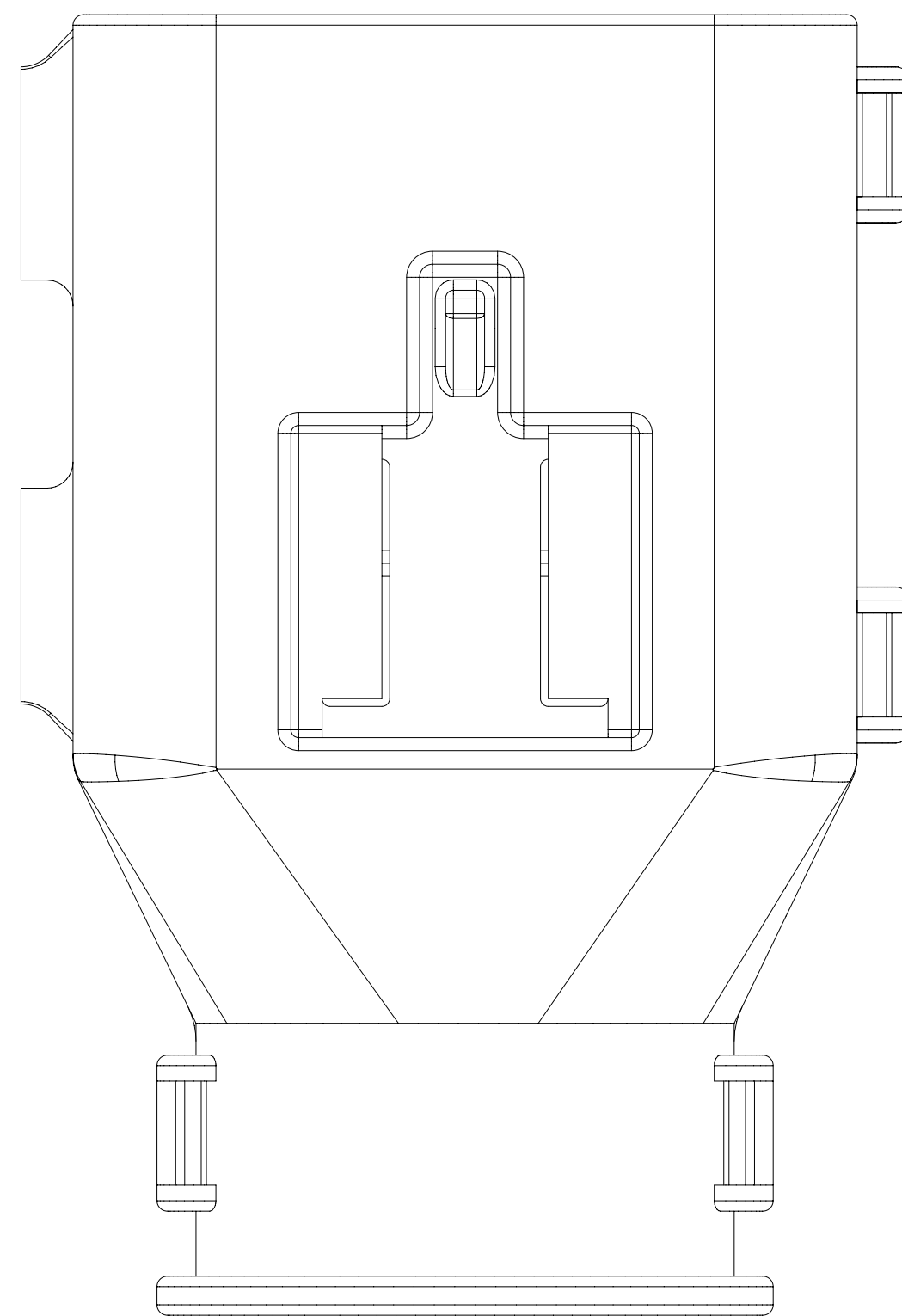
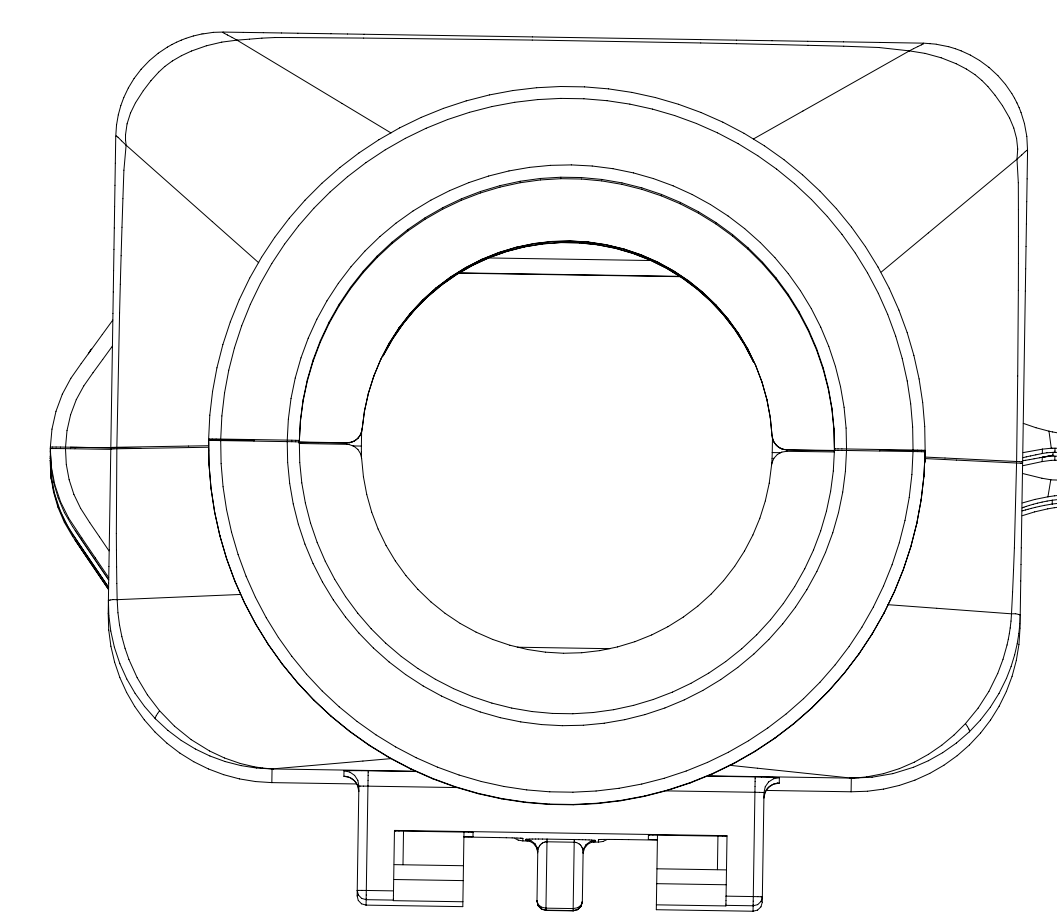
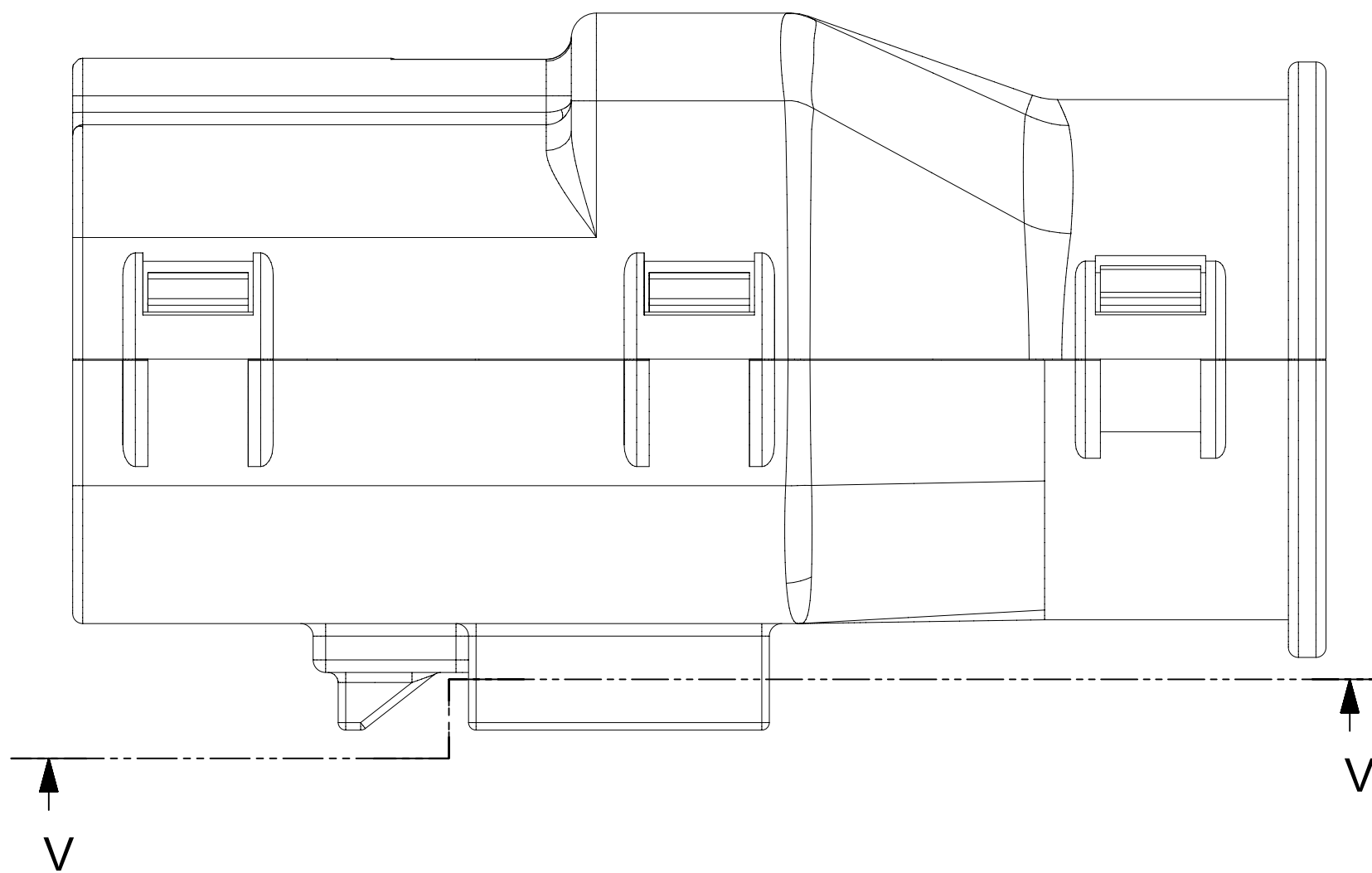
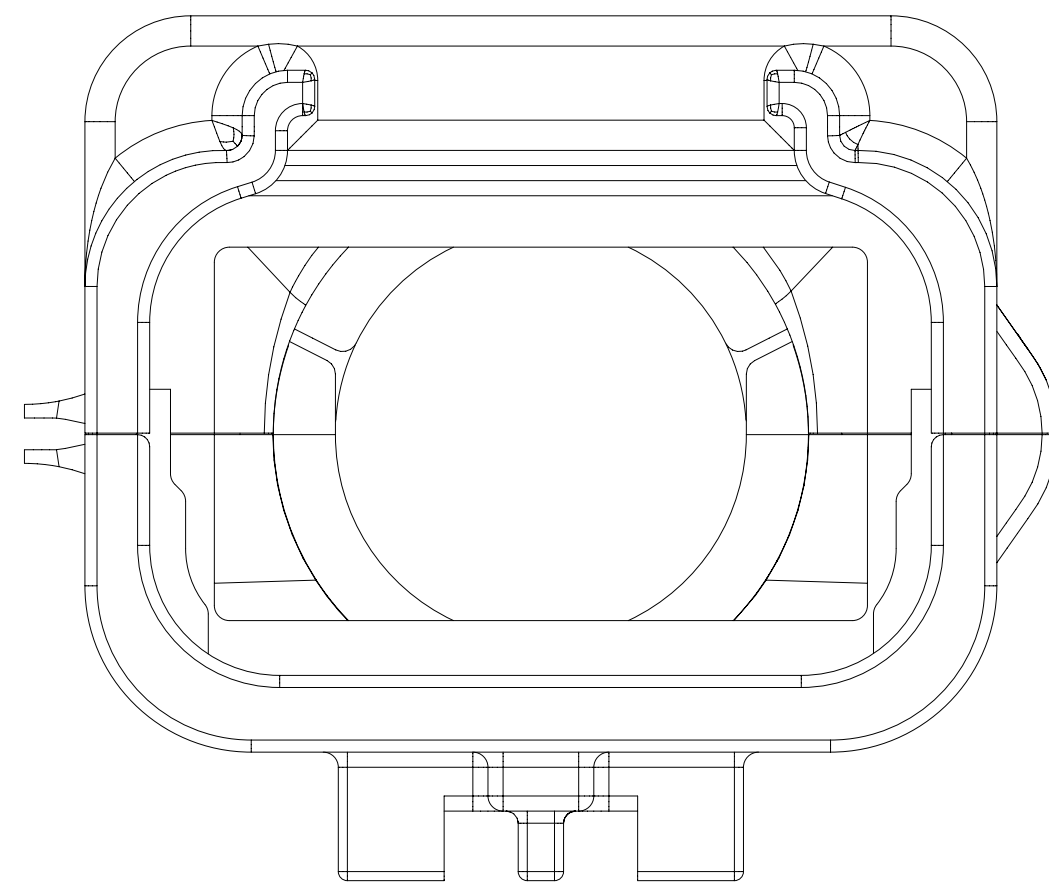
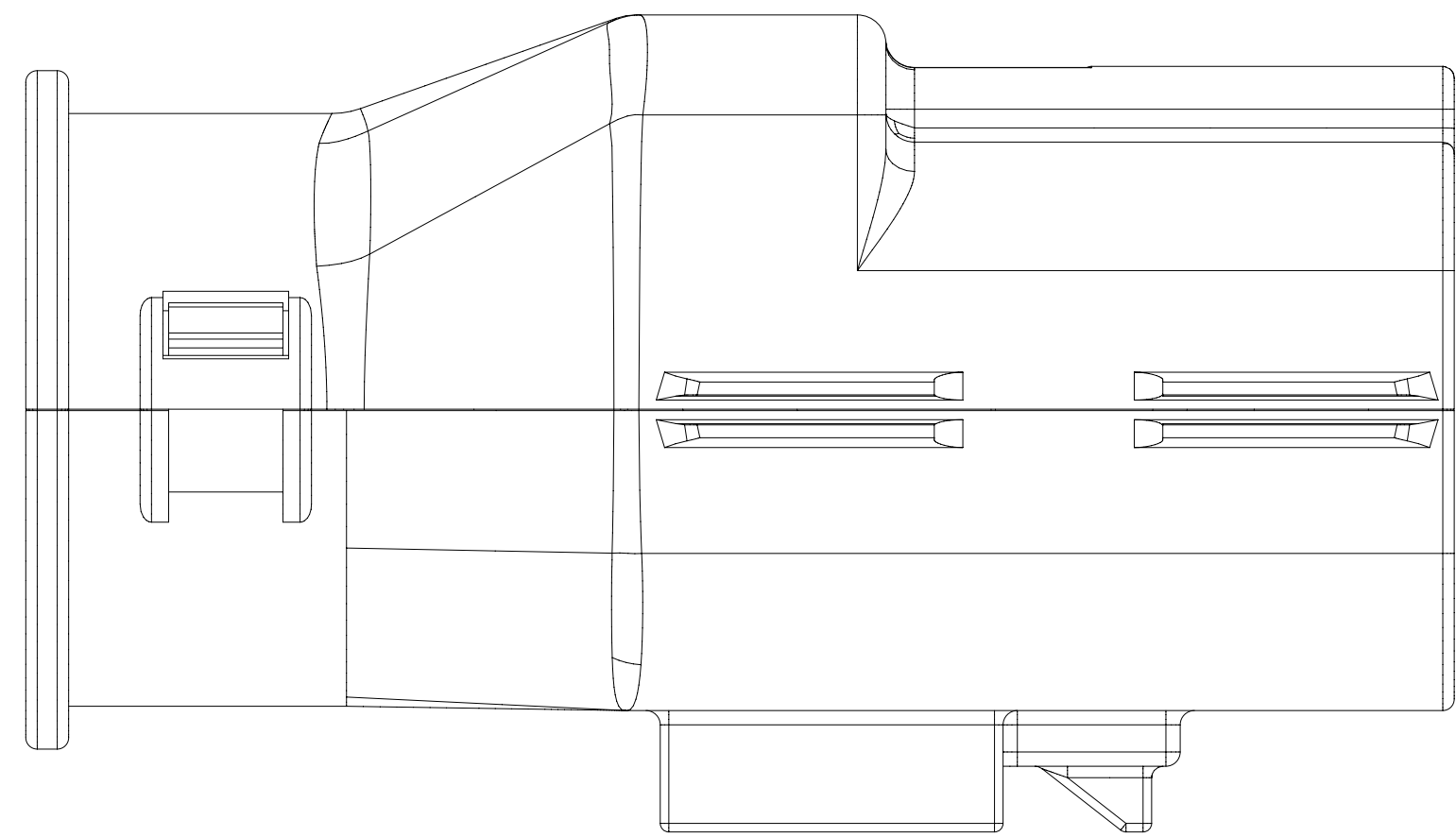


SCALE 2:1

SYMBOLS	THIS DRAWING CONTAINS INFORMATION THAT IS PROPRIETARY TO MOLEX ELECTRONIC TECHNOLOGIES, LLC AND SHOULD NOT BE USED WITHOUT WRITTEN PERMISSION		CURRENT REV DESC:				
▽ = 0	DIMENSION UNITS	SCALE					MX150 RCPT DUAL ROW SEALED ASSEMBLY MAT SEAL
▽ = 0	mm	1.5:1					
▽ = 0	GENERAL TOLERANCES (UNLESS SPECIFIED)						
▽ = 0	ANGULAR TOL	± 1.0°			PRODUCT CUSTOMER DRAWING DOCUMENT NUMBER: SD-33472-0001 DOC TYPE: PSD DOC PART: 001 REVISION: C2		
▽ = 0	4 PLACES	±	EC NO: 171650				
▽ = 0	3 PLACES	±	DRWN: DDEB 2018/01/19				
▽ = 0	2 PLACES	± 0.1	CHK'D: MVANSLAMBROU 2018/02/16		INITIAL REVISION: DRWN: APROFFITT 2014/05/14 APPR: VKOSHY 2014/06/27		
▽ = 0	1 PLACE	± 0.2	APPR: MVANSLAMBROU 2018/02/16				
▽ = 0	0 PLACES	±	MATERIAL NUMBER: A1-SIZE				
⊗ = 0	DRAFT WHERE APPLICABLE MUST REMAIN WITHIN DIMENSIONS		THIRD ANGLE PROJECTION	DRAWING	SERIES	CUSTOMER: GENERAL MARKET SHEET NUMBER: 6 OF 11	
■ = 0			⊕ ⊖	A1-SIZE	33472		

DOCUMENT STATUS	P1	RELEASE DATE	2018/02/16 22:02:25
-----------------	----	--------------	---------------------

SHEET DESCRIPTION
SCHLEMMER BACKSHELL

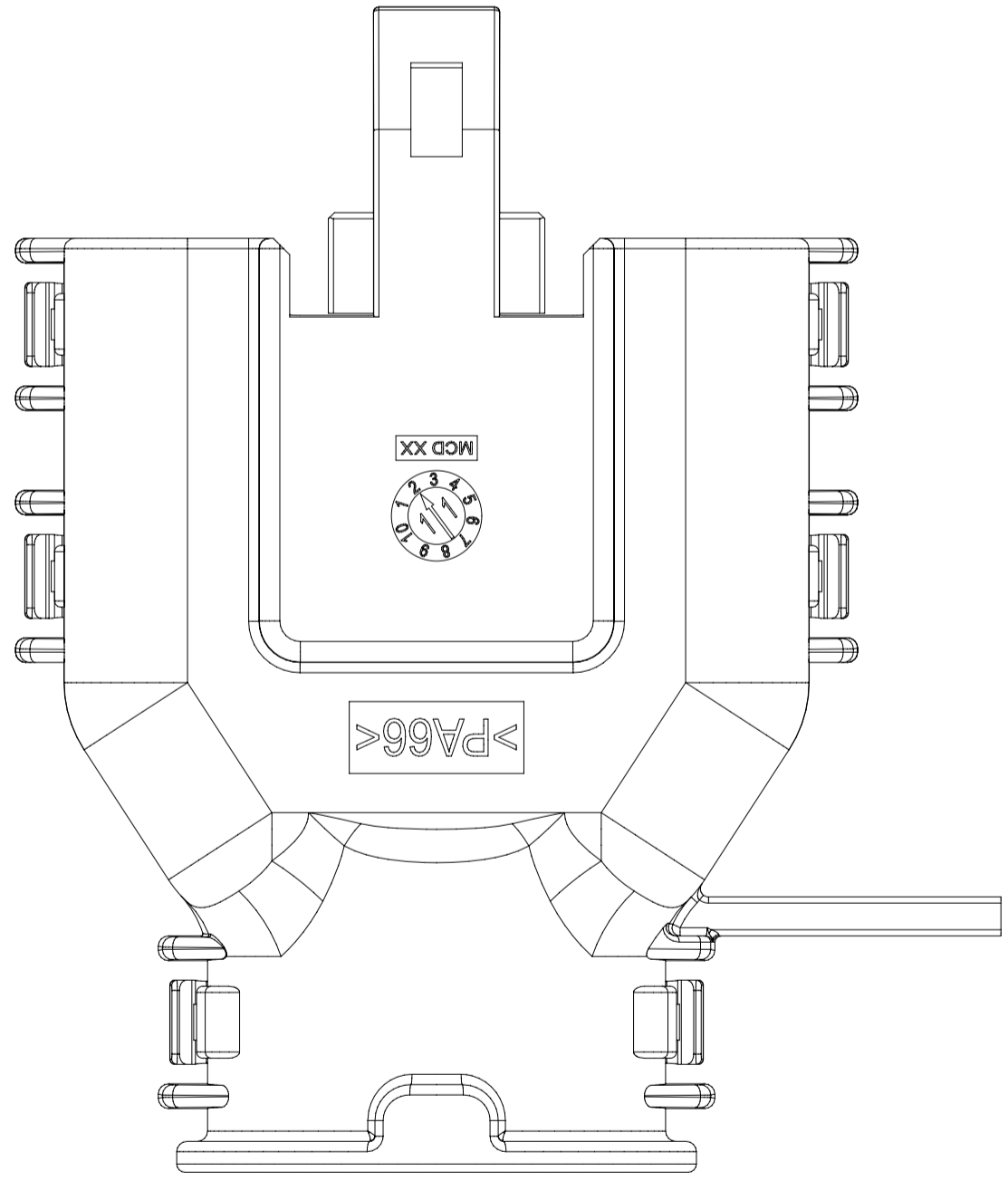
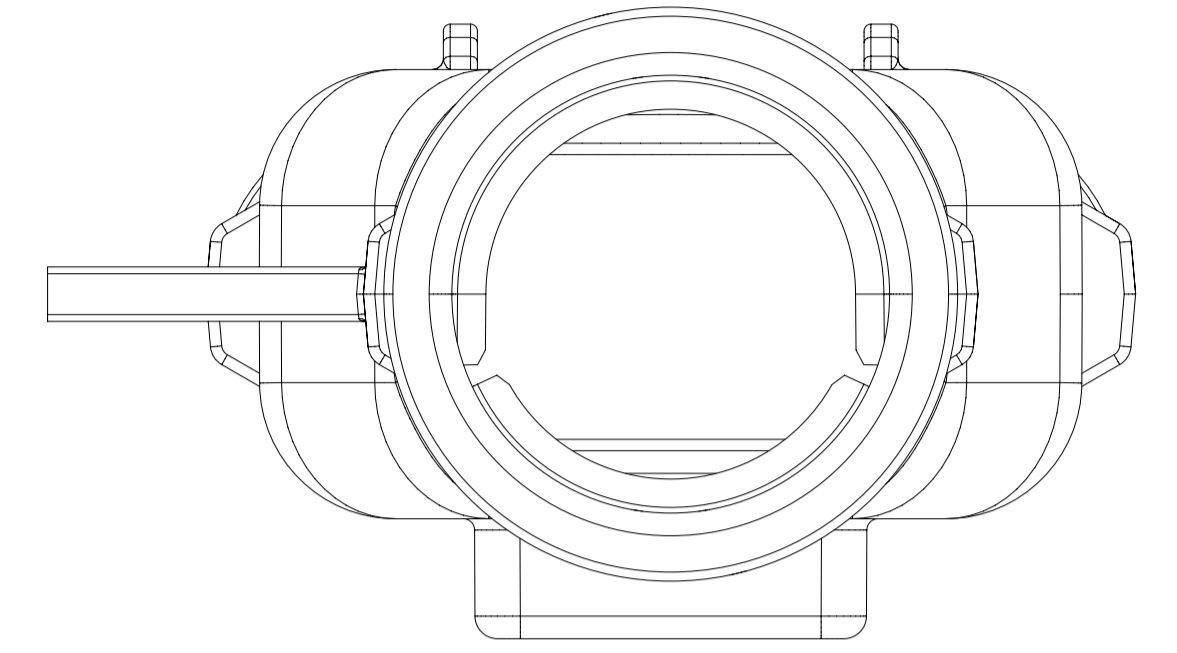
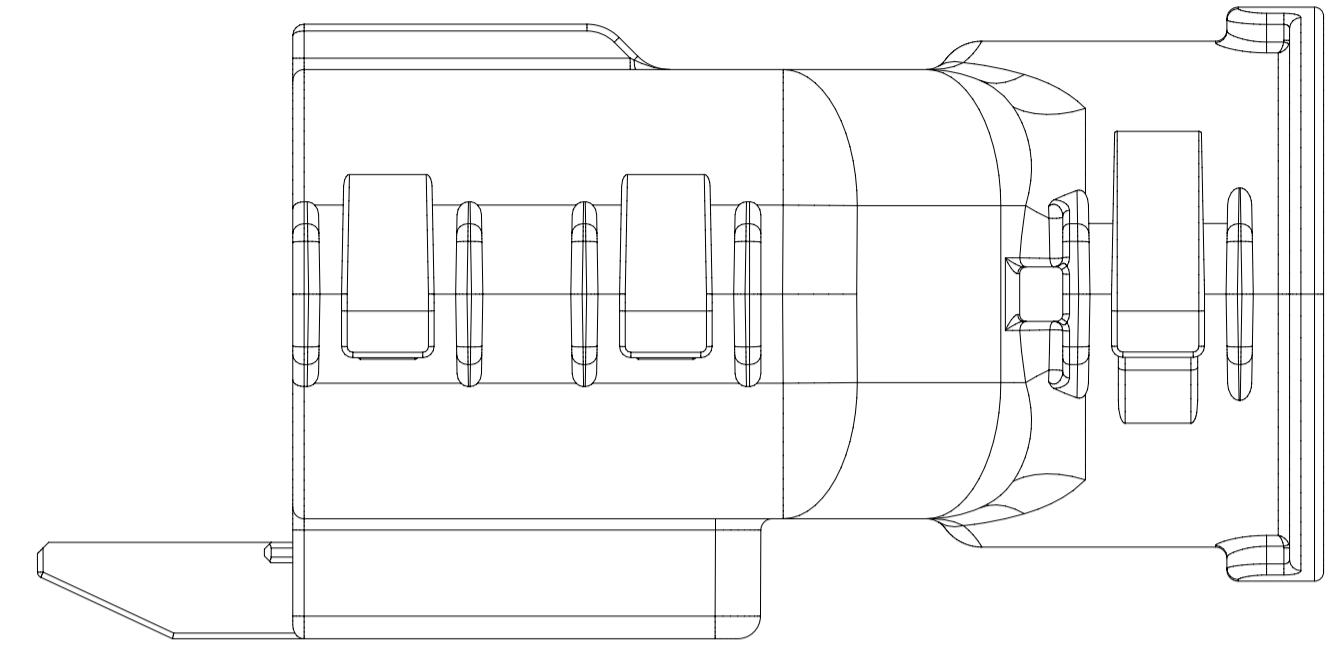
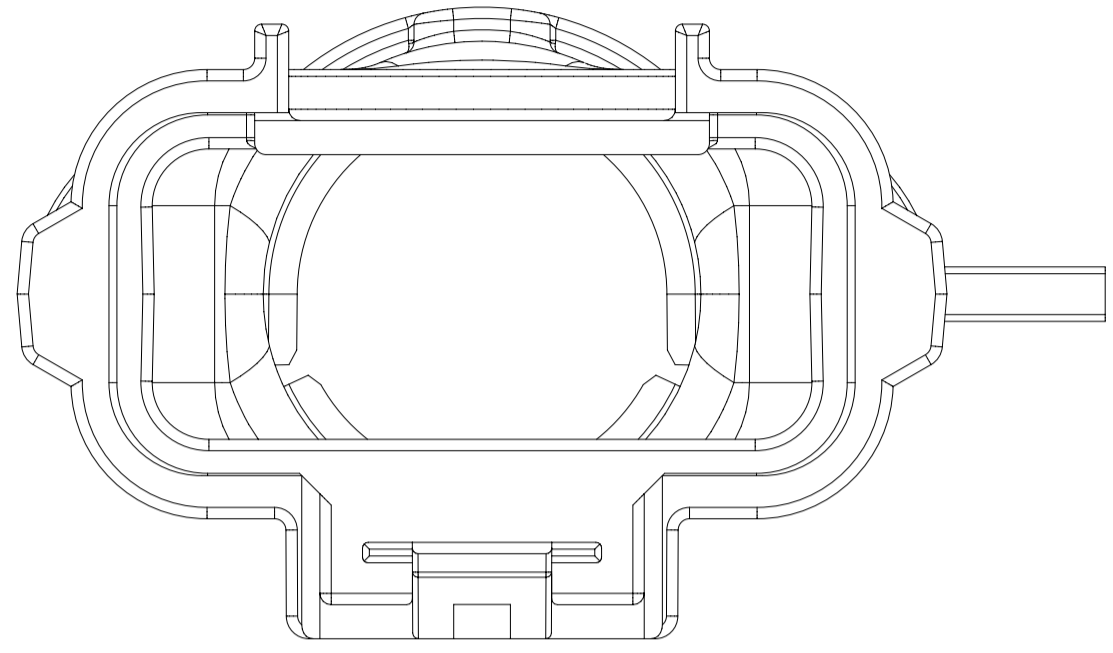
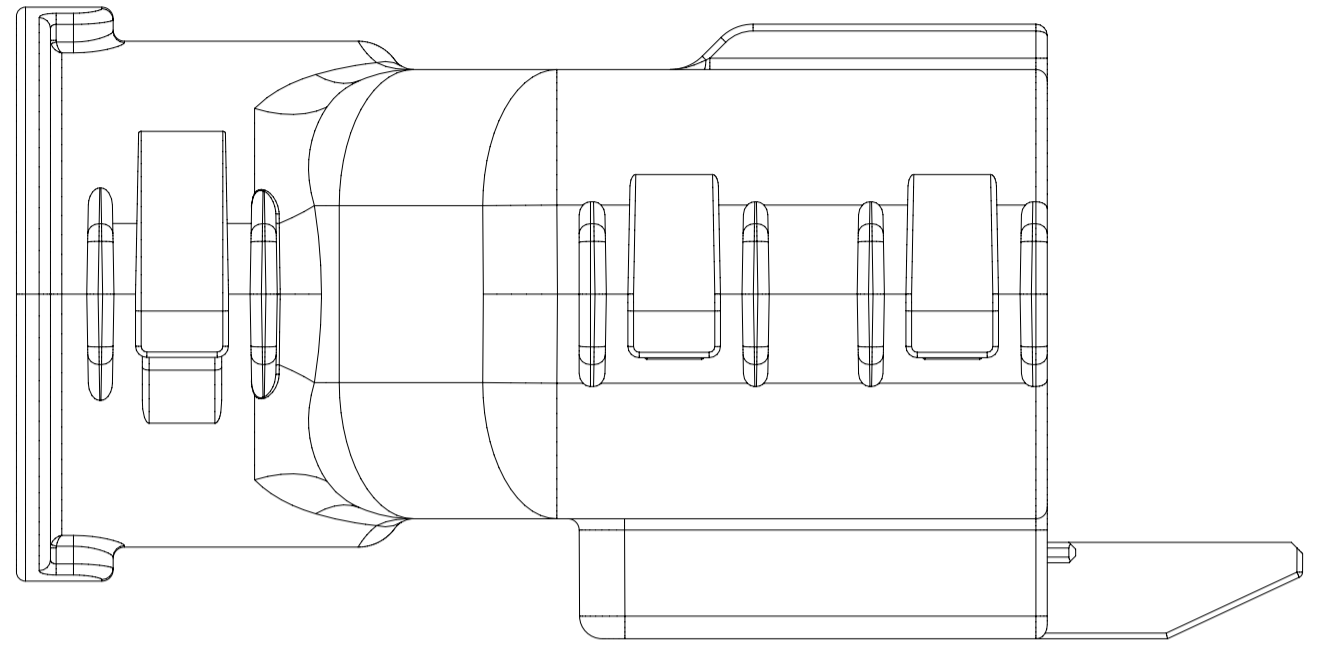


Partial V-V
SCALE 4:1

SYMBOLS = 0 = 0 = 0 = 0 = 0 = 0 = 0 = 0 = 0 = 0	THIS DRAWING CONTAINS INFORMATION THAT IS PROPRIETARY TO MOLEX ELECTRONIC TECHNOLOGIES, LLC AND SHOULD NOT BE USED WITHOUT WRITTEN PERMISSION DIMENSION UNITS: mm SCALE: 4:1 GENERAL TOLERANCES (UNLESS SPECIFIED) ANGULAR TOL: ± 1.0°	CURRENT REV DESC: EC NO: 171650 DRWN: DDEB 2018/01/19 CHK'D: MVANSLAMBROU 2018/02/16 APPR: MVANSLAMBROU 2018/02/16	 MX150 RCPT DUAL ROW SEALED ASSEMBLY MAT SEAL		
	INITIAL REVISION: DRWN: APROFFITT 2014/05/14 APPR: VKOSHY 2014/06/27	PRODUCT CUSTOMER DRAWING DOCUMENT NUMBER: SD-33472-0001 DOC TYPE: PSD DOC PART: 001 REVISION: C2			
	DRAFT WHERE APPLICABLE MUST REMAIN WITHIN DIMENSIONS	THIRD ANGLE PROJECTION 	DRAWING: A1-SIZE SERIES: 33472	MATERIAL NUMBER CUSTOMER: GENERAL MARKET	SHEET NUMBER 7 OF 11

18 17 16 15 14 13 12 11 10 9 8 7 6 5 4 3 2 1

SHEET DESCRIPTION
MOLEX BACKSHELL



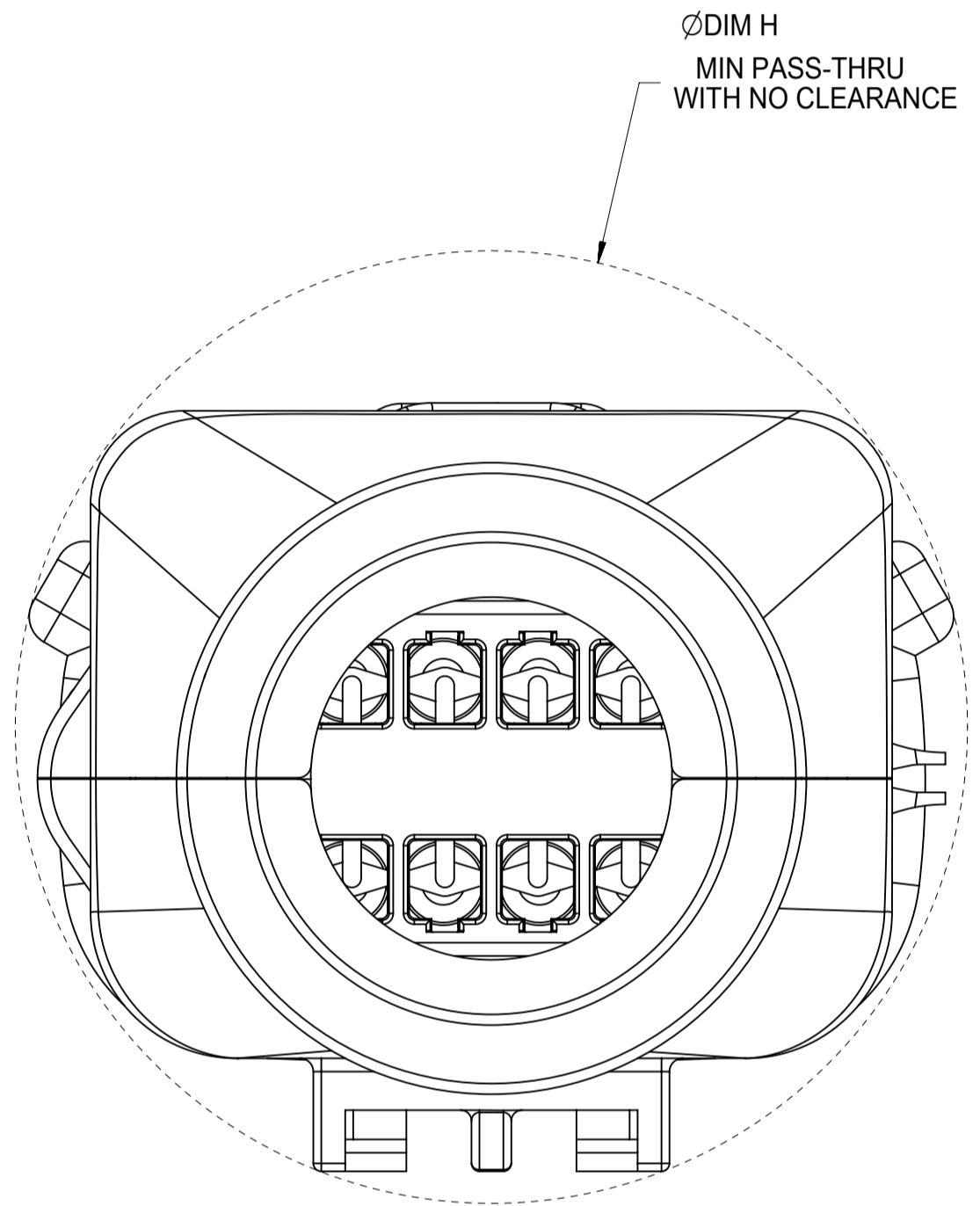
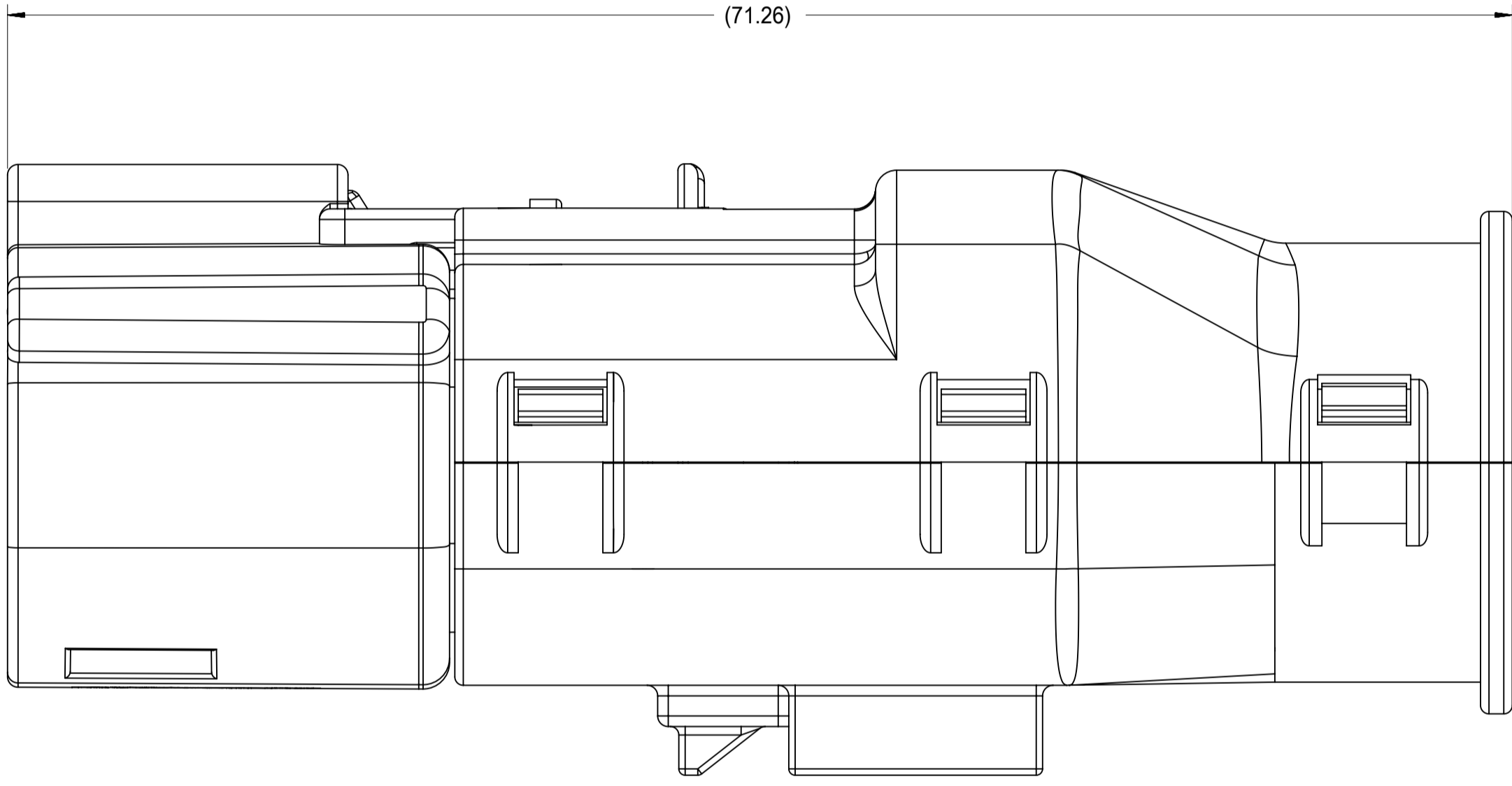
SYMBOLS = 0 = 0 = 0 = 0 = 0 = 0 = 0 = 0	THIS DRAWING CONTAINS INFORMATION THAT IS PROPRIETARY TO MOLEX ELECTRONIC TECHNOLOGIES, LLC AND SHOULD NOT BE USED WITHOUT WRITTEN PERMISSION		CURRENT REV DESC: EC NO: 171650 DRWN: DDEB 2018/01/19 CHK'D: MVANSLAMBROU 2018/02/16 APPR: MVANSLAMBROU 2018/02/16					
	DIMENSION UNITS mm	SCALE 3:1	GENERAL TOLERANCES (UNLESS SPECIFIED)					MX150 RCPT DUAL ROW SEALED ASSEMBLY MAT SEAL
	ANGULAR TOL ± 1.0°	4 PLACES ±	INITIAL REVISION: DRWN: APROFFITT 2014/05/14 APPR: VKOSHY 2014/06/27		PRODUCT CUSTOMER DRAWING			
	3 PLACES ±	2 PLACES ± 0.1	DRWN: APROFFITT 2014/05/14 APPR: VKOSHY 2014/06/27		DOCUMENT NUMBER SD-33472-0001	DOC TYPE PSD	DOC PART 001	REVISION C2
	2 PLACES ± 0.2	1 PLACE ± 0.2	DRAFT WHERE APPLICABLE MUST REMAIN WITHIN DIMENSIONS		MATERIAL NUMBER CUSTOMER	GENERAL MARKET		SHEET NUMBER 8 OF 11
	1 PLACE ±	0 PLACES ±	THIRD ANGLE PROJECTION	DRAWING 	SERIES A1-SIZE	33472		8 OF 11
	0 PLACES ±	0 PLACES ±	THIRD ANGLE PROJECTION		DRAWING 	SERIES A1-SIZE	33472	8 OF 11
	0 PLACES ±	0 PLACES ±	THIRD ANGLE PROJECTION		DRAWING 	SERIES A1-SIZE	33472	8 OF 11
	0 PLACES ±	0 PLACES ±	THIRD ANGLE PROJECTION		DRAWING 	SERIES A1-SIZE	33472	8 OF 11
	0 PLACES ±	0 PLACES ±	THIRD ANGLE PROJECTION		DRAWING 	SERIES A1-SIZE	33472	8 OF 11

DOCUMENT STATUS	P1	RELEASE DATE	2018/02/16	22:02:25
-----------------	----	--------------	------------	----------

18 17 16 15 14 13 12 11 10 9 8 7 6 5 4 3 2 1

SHEET DESCRIPTION			
SCHLEMMER BACKSHELL CONFIGURATIONS			

CHARTED DIMENSIONS	
DESCRIPTION	DIMENSIONS
	H
2X3 W/ CLIPSLOT	N/A
2X3 W/O CLIPSLOT	28.50
2X4 W/ CLIPSLOT	N/A
2X4 W/O CLIPSLOT	30.75
2X6 W/ CLIPSLOT	N/A
2X6 W/O CLIPSLOT	35.83



RECEPTACLE SEALED ASSEMBLY WITH RECEPTACLE BACKSHELL

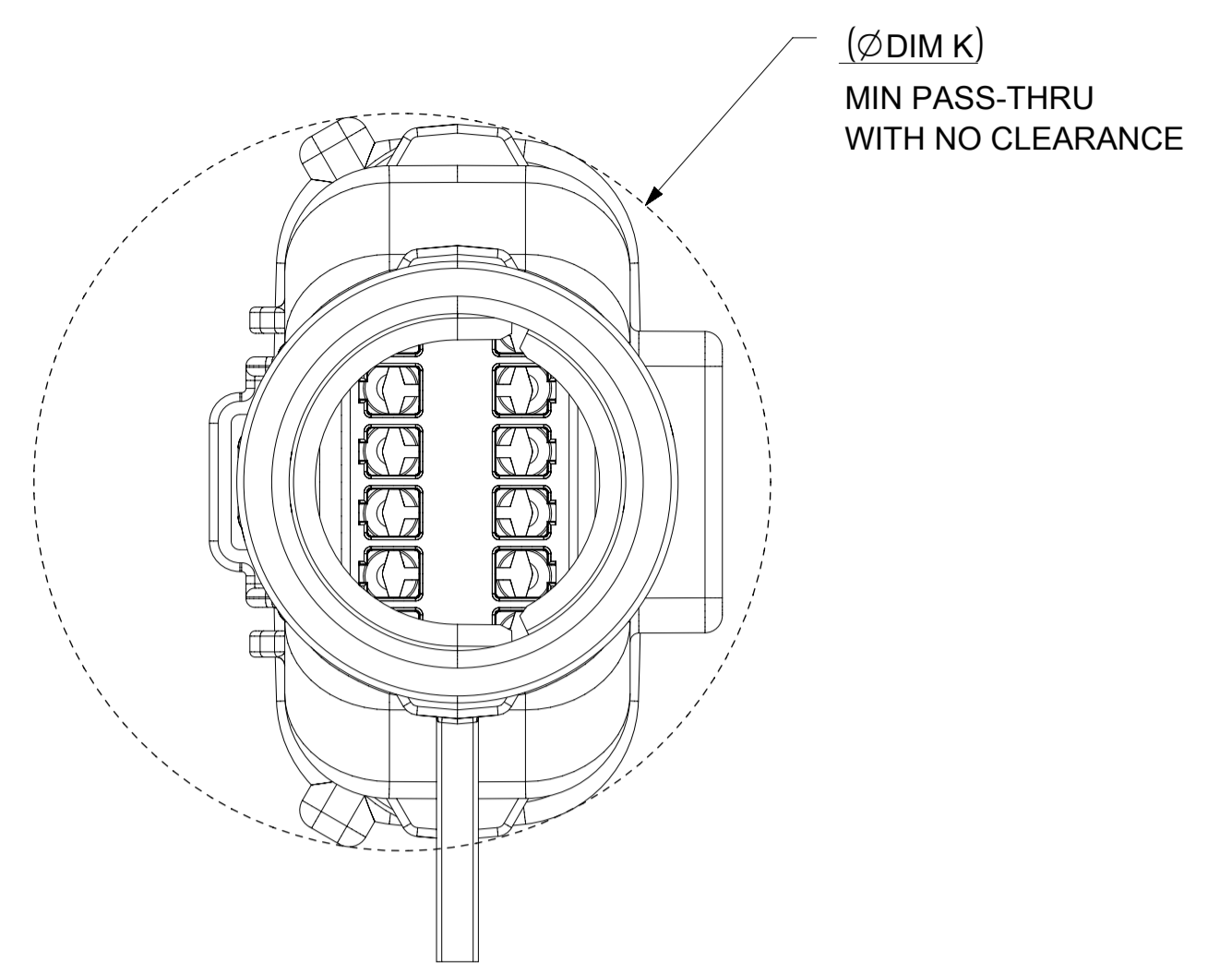
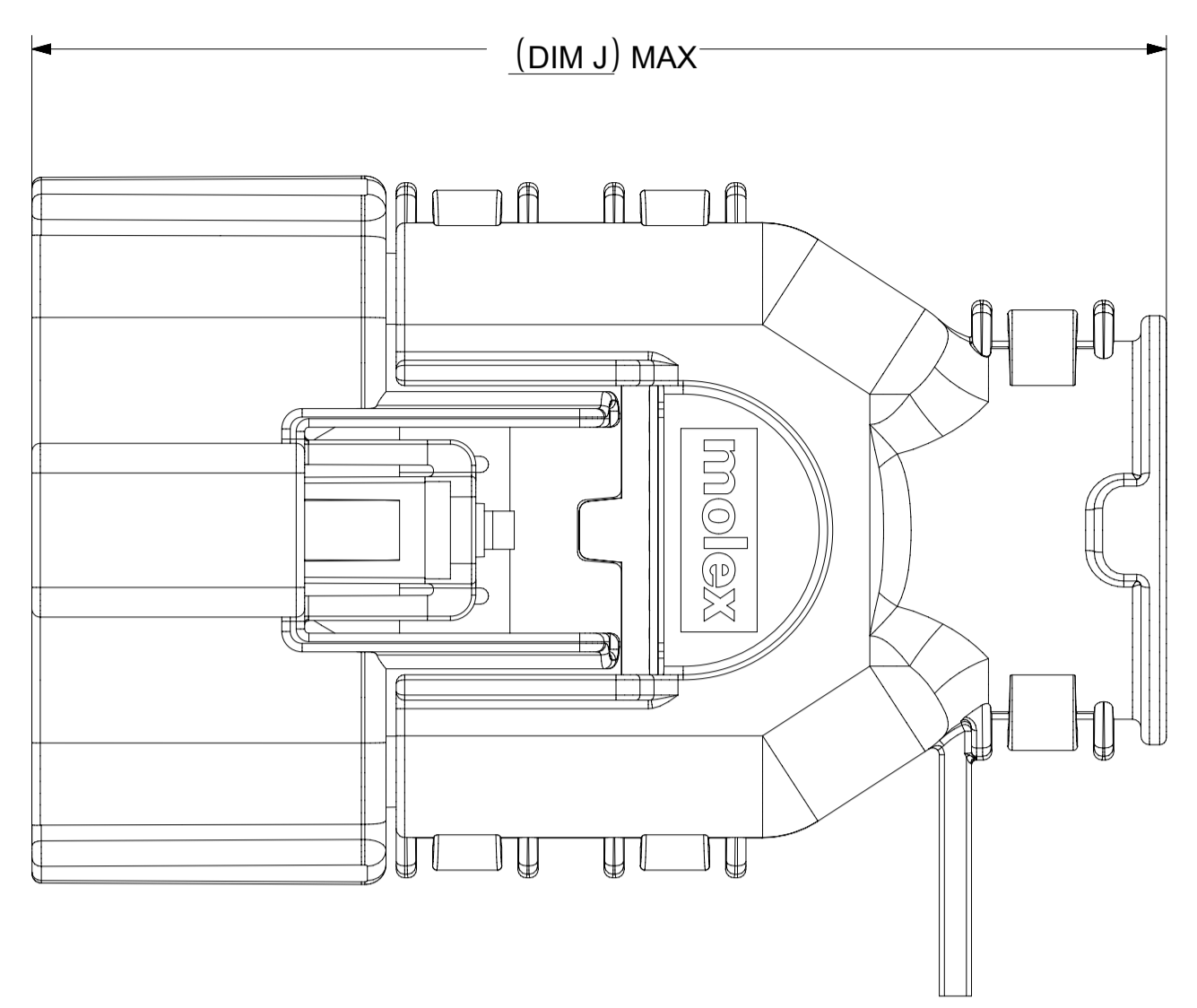
QUALITY SYMBOLS FA = 0 FE = 0 FE = 0 ▼ = 0 C = 0 ☒ = 0 ■ = 0 ∇ = 0	THIS DRAWING CONTAINS INFORMATION THAT IS PROPRIETARY TO MOLEX ELECTRONIC TECHNOLOGIES, LLC AND SHOULD NOT BE USED WITHOUT WRITTEN PERMISSION									
	2018/01/19	GENERAL TOLERANCES (UNLESS SPECIFIED)		DIMENSION UNITS	SCALE					
	2018/02/16	ANGULAR TOL ± 1.0 °		mm	4:1					
	2018/02/16	4 PLACES ±	APROFFITT	DATE	MX150 RCPT DUAL ROW SEALED ASSEMBLY MAT SEAL					
		3 PLACES ±	CHK'D BY	DATE						
		2 PLACES ± 0.1	KBORUSZEWSKI	2014/06/16	PRODUCT CUSTOMER DRAWING					
		1 PLACE ± 0.2	VKOSHY	2014/06/27						
		0 PLACES ±	APPR BY	DATE	SERIES	MATERIAL NUMBER	CUSTOMER			
		DRAFT WHERE APPLICABLE MUST REMAIN WITHIN DIMENSIONS	DRAWING SIZE	THIRD ANGLE PROJECTION	33472		GENERAL MARKET			
			A1		DOCUMENT NUMBER	DOC TYPE	DOC PART	SHEET NUMBER		
				SD-33472-0001	PSD	001	9 OF 11			

RELEASE STATUS	P1	RELEASE DATE	2018/02/16	22:02:25
----------------	----	--------------	------------	----------

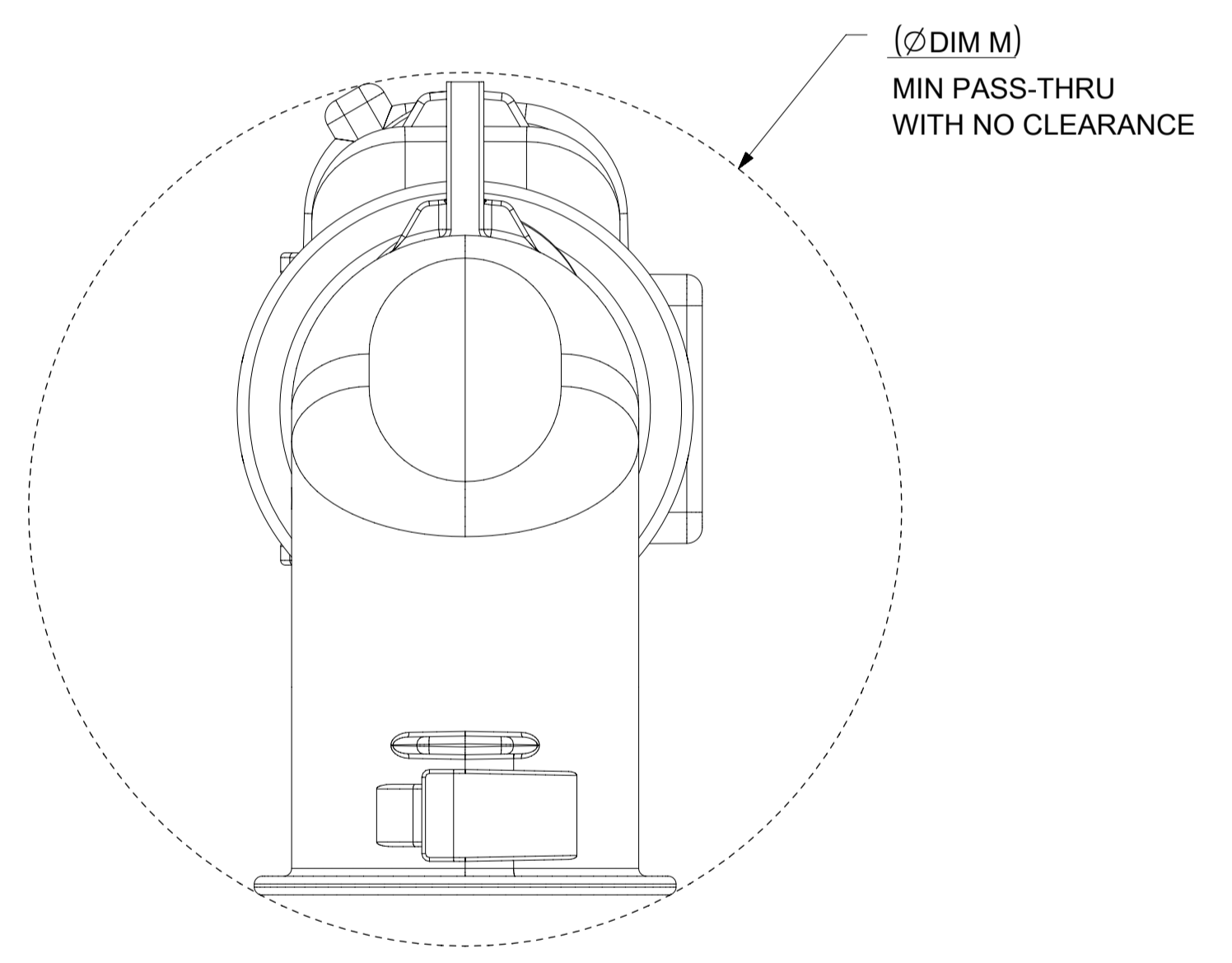
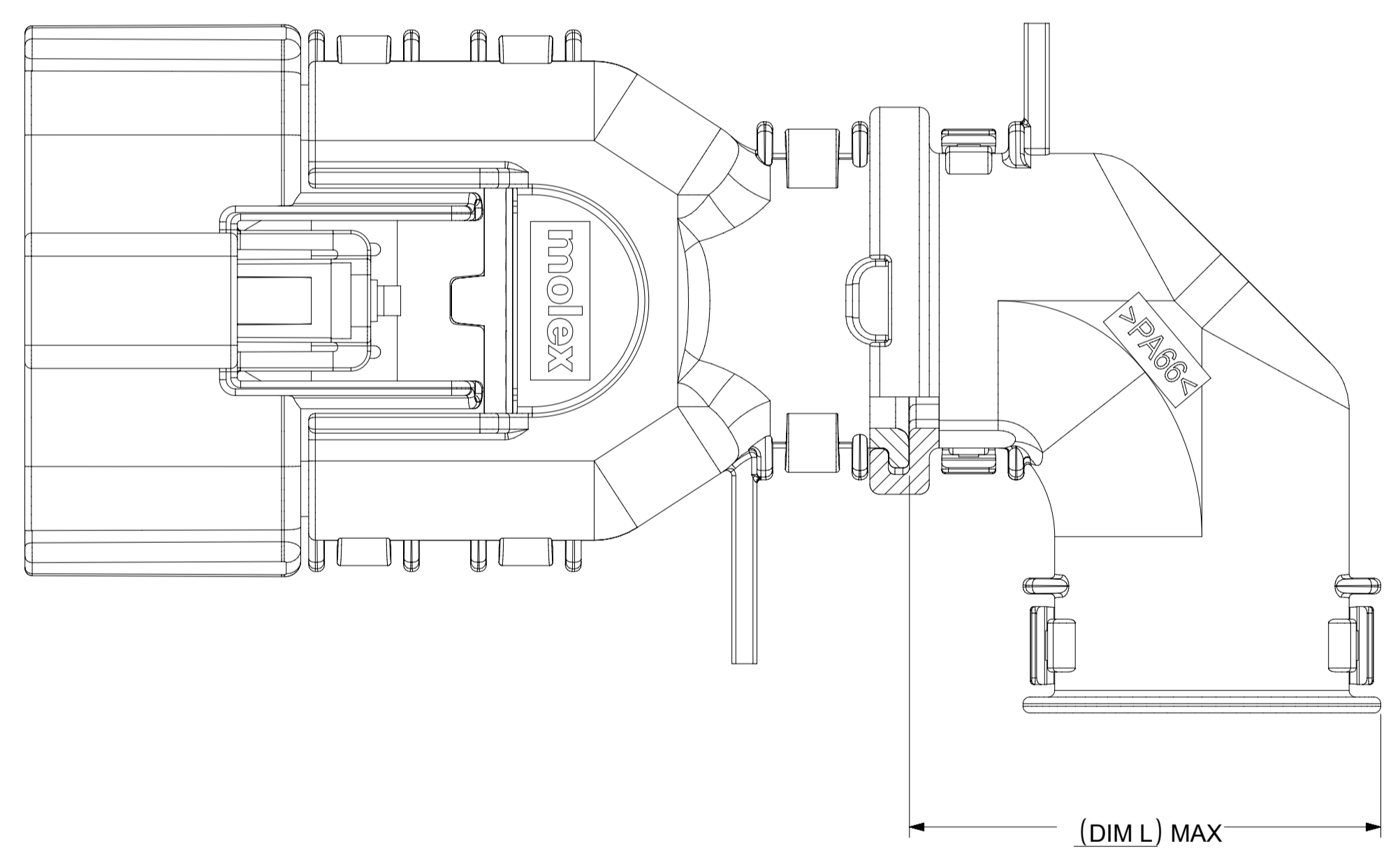
18 17 16 15 14 13 12 11 10 9 8 7 6 5 4 3 2 1

SHEET DESCRIPTION
MOLEX BACKSHELL CONFIGURATIONS

DESCRIPTION	DIMENSIONS			
	J	K	L	M
2X2 W/O CLIPSLOT	TBD	TBD	TBD	TBD
2X2 W/ CLIP SLOT	TBD	TBD	TBD	TBD
2X2 LENGTHENED	TBD	TBD	TBD	TBD
2X4 W/ CLIPSLOT	58.39	32.85	32.10	44.26
2X4 W/O CLIPSLOT	N/A	N/A	N/A	N/A
2X8 W/ CLIPSLOT	67.19	42.65	36.10	56.49
2X8 W/O CLIPSLOT	N/A	N/A	N/A	N/A
2X10 W/ CLIPSLOT	67.19	42.65	36.10	56.49
2X10 W/O CLIPSLOT	N/A	N/A	N/A	N/A



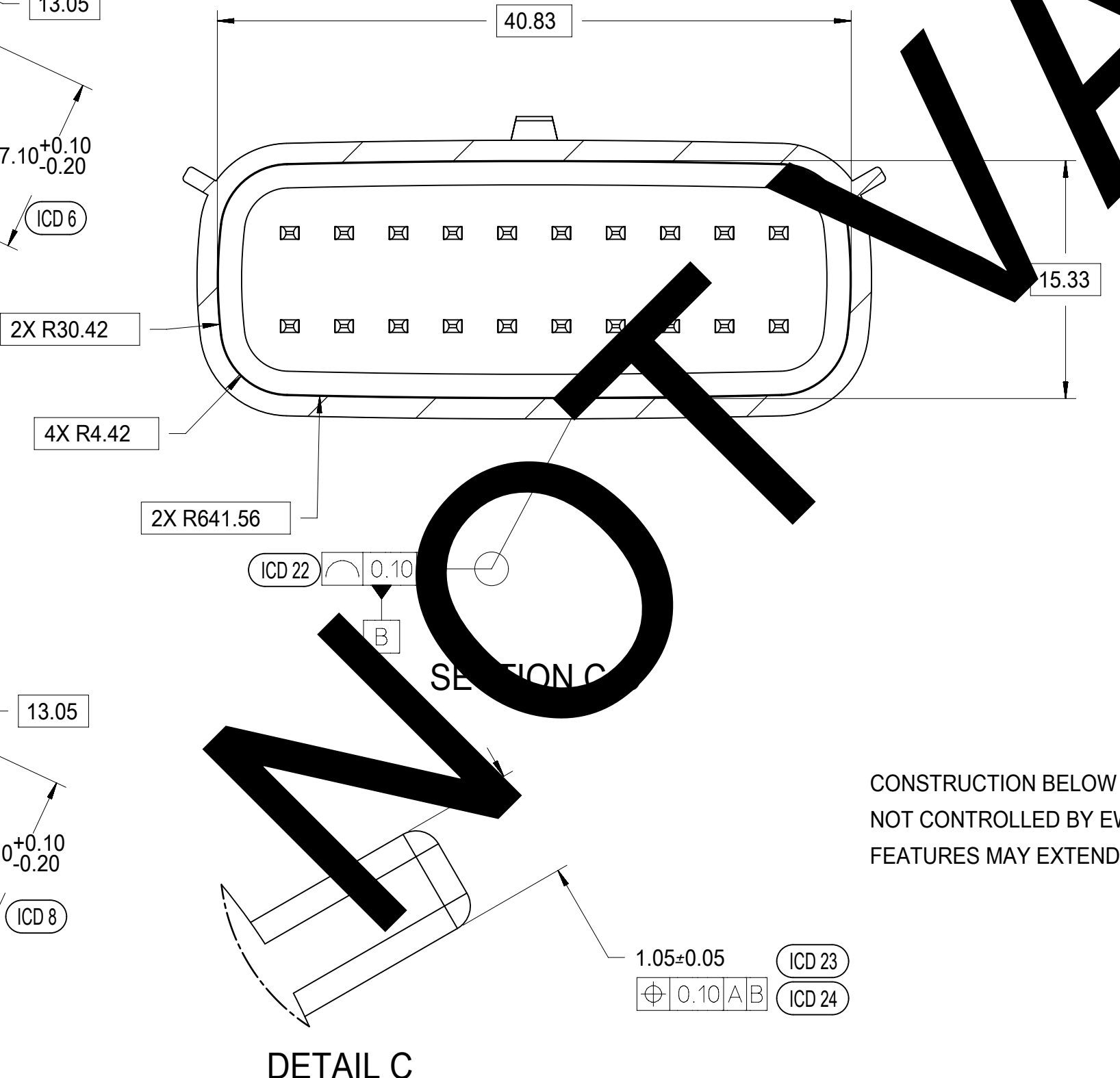
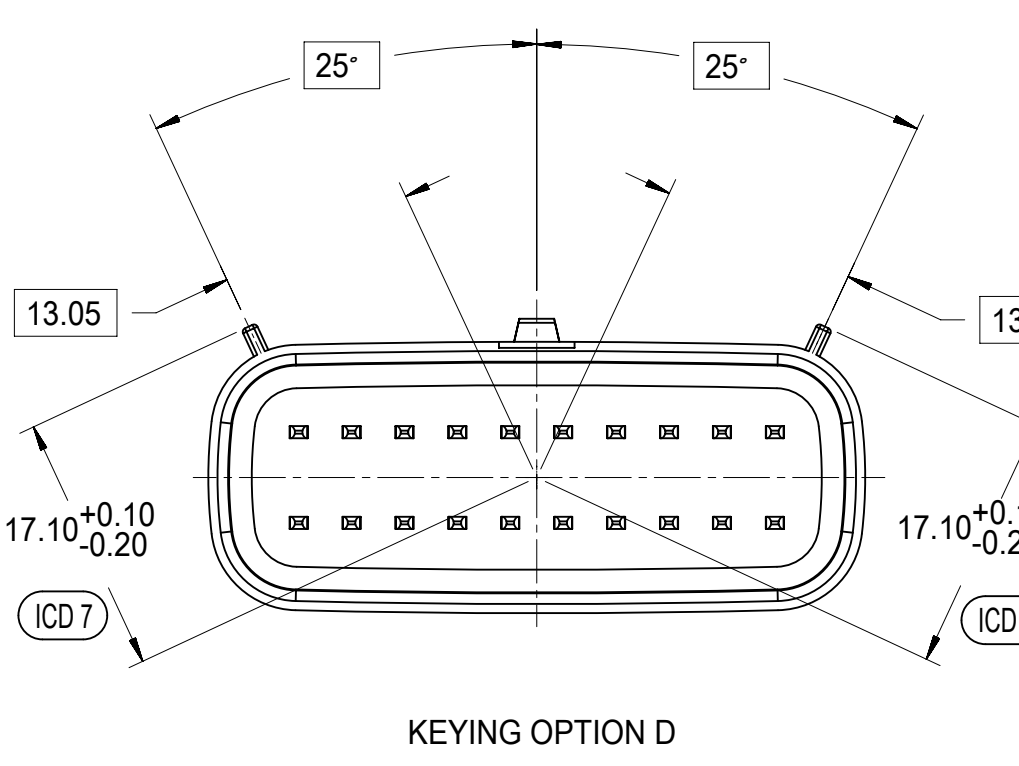
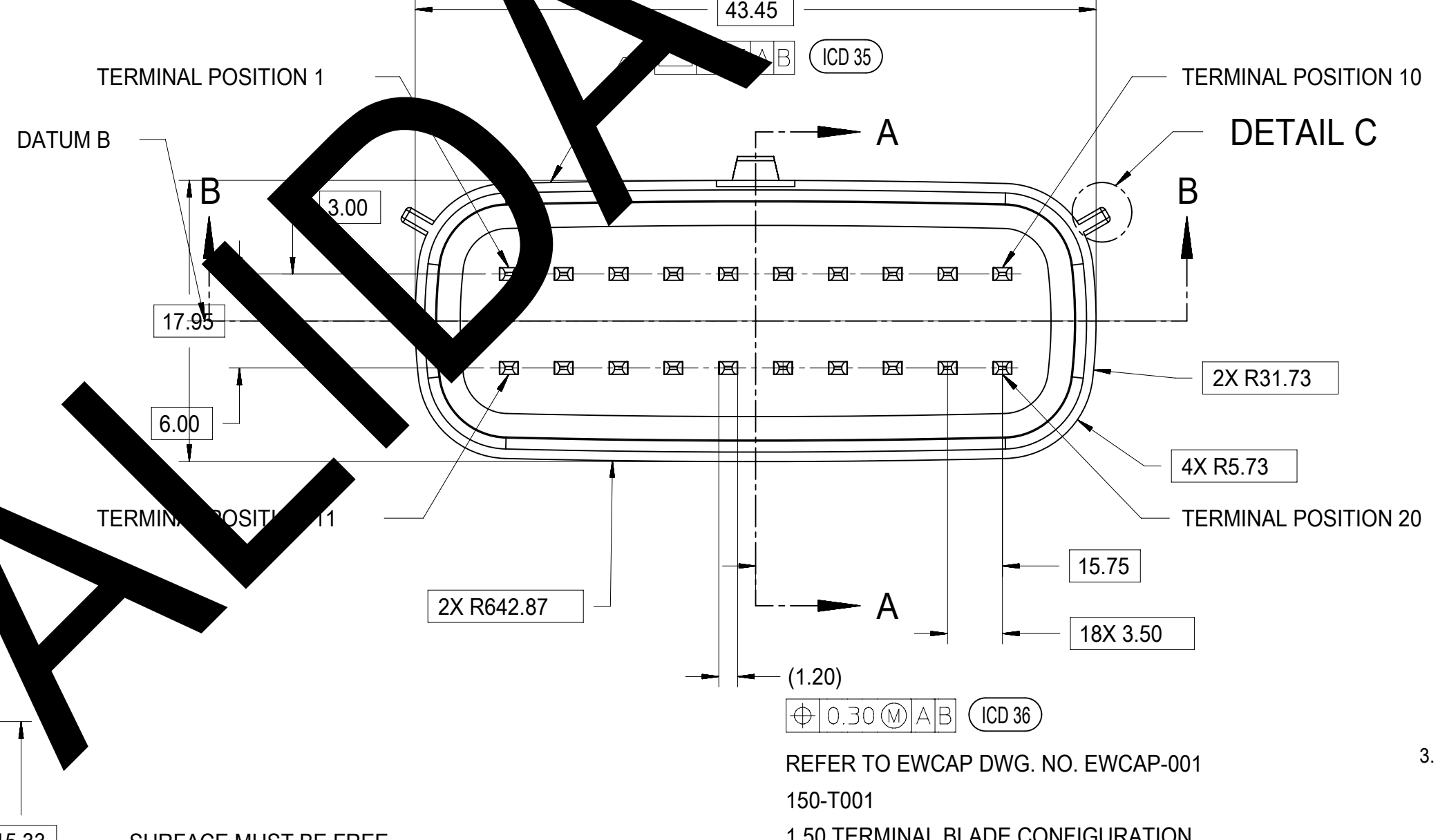
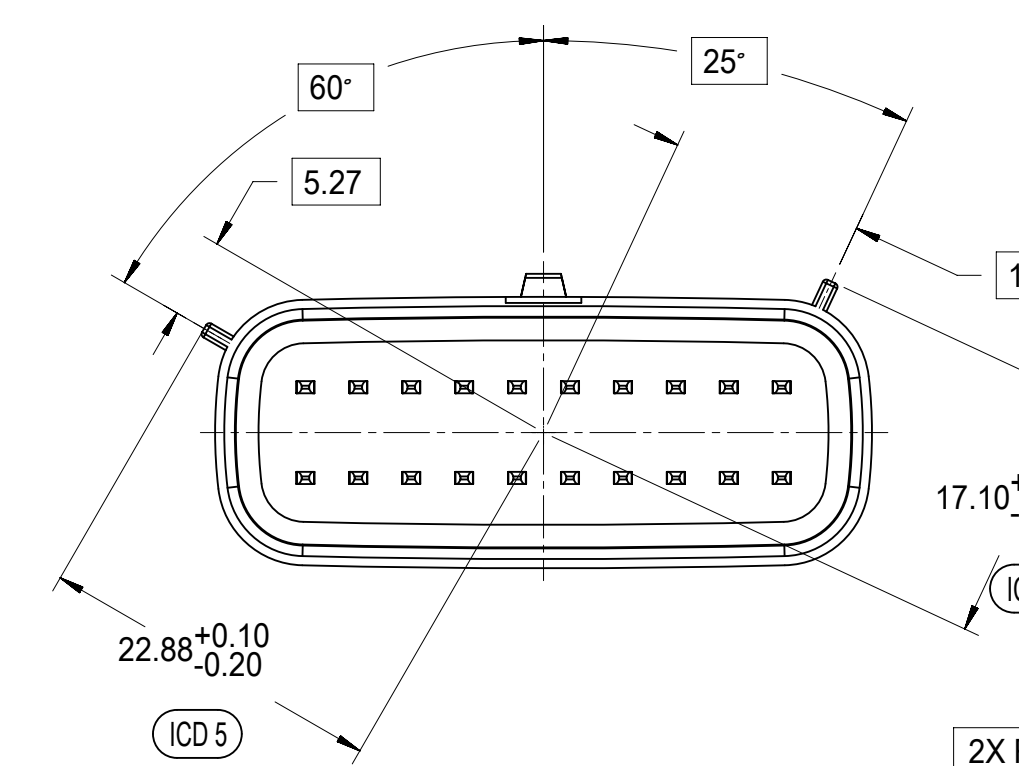
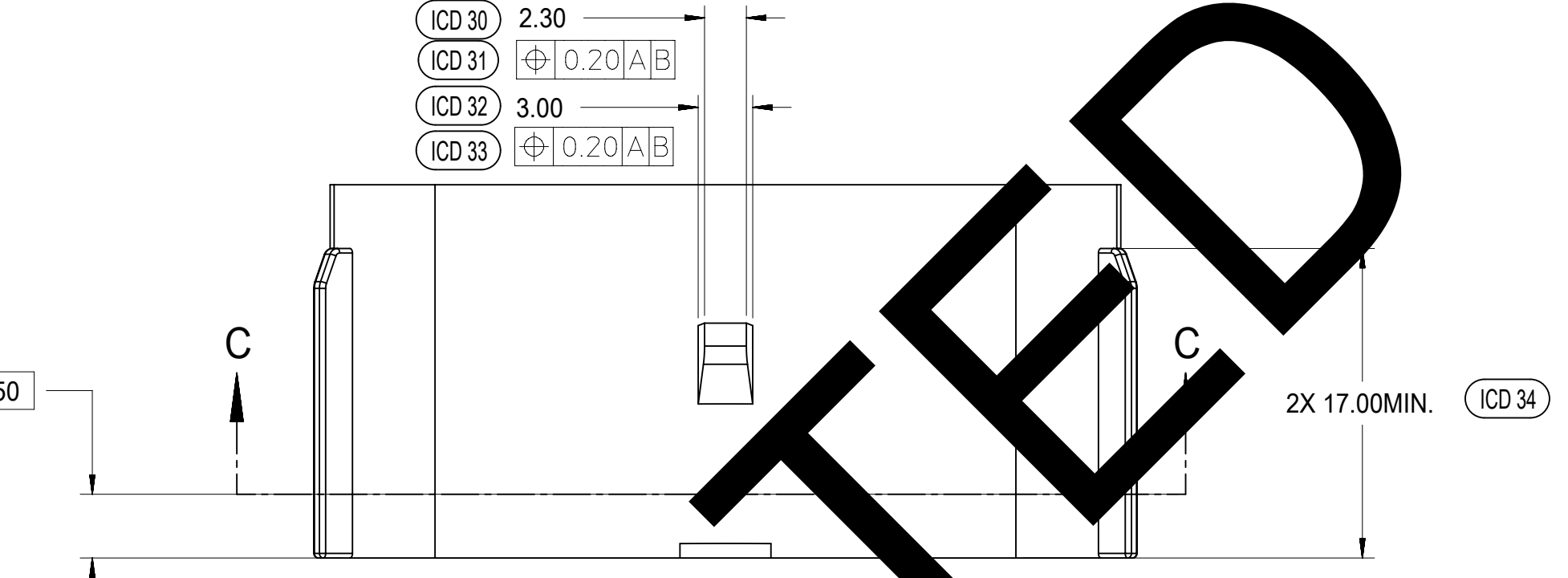
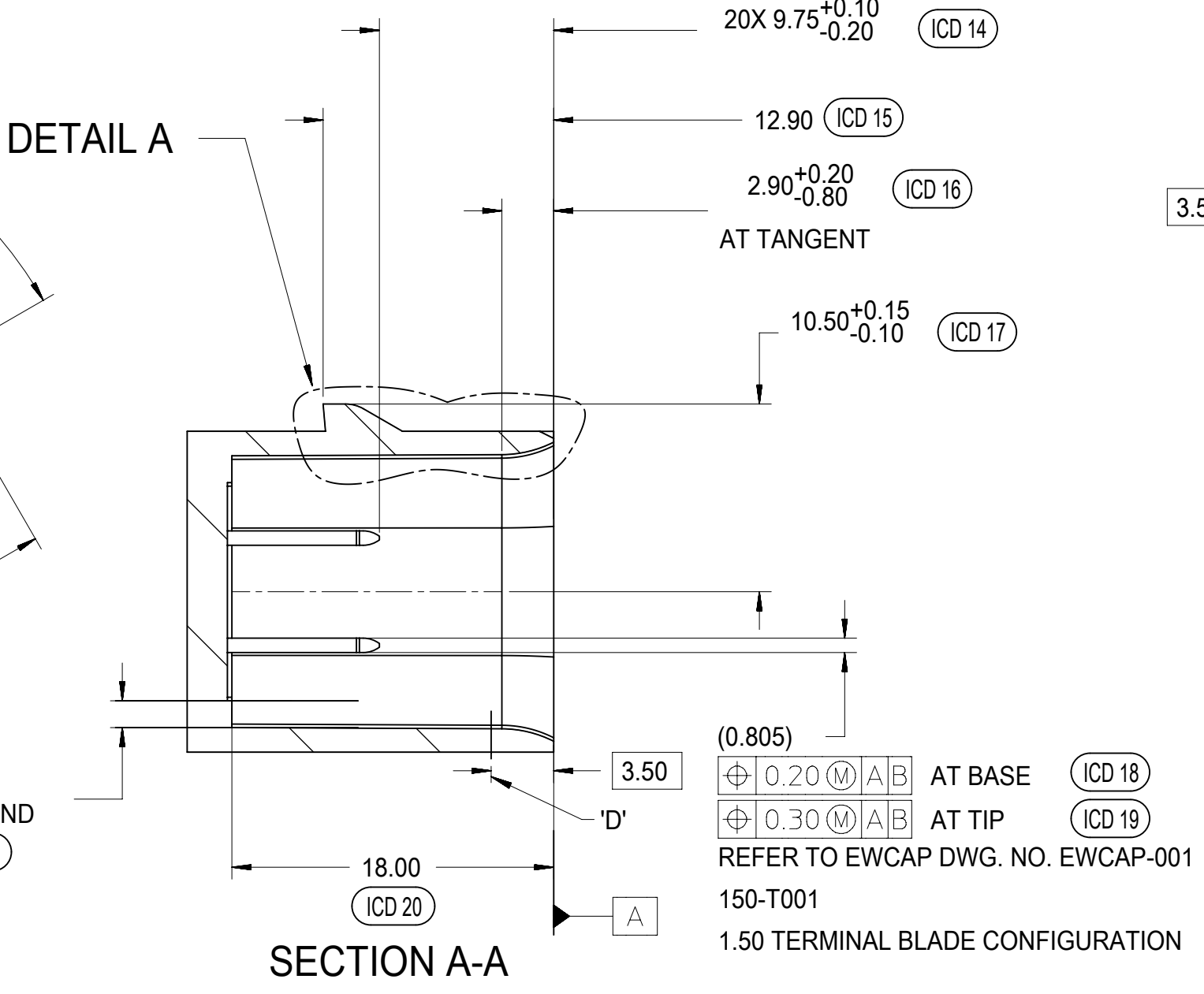
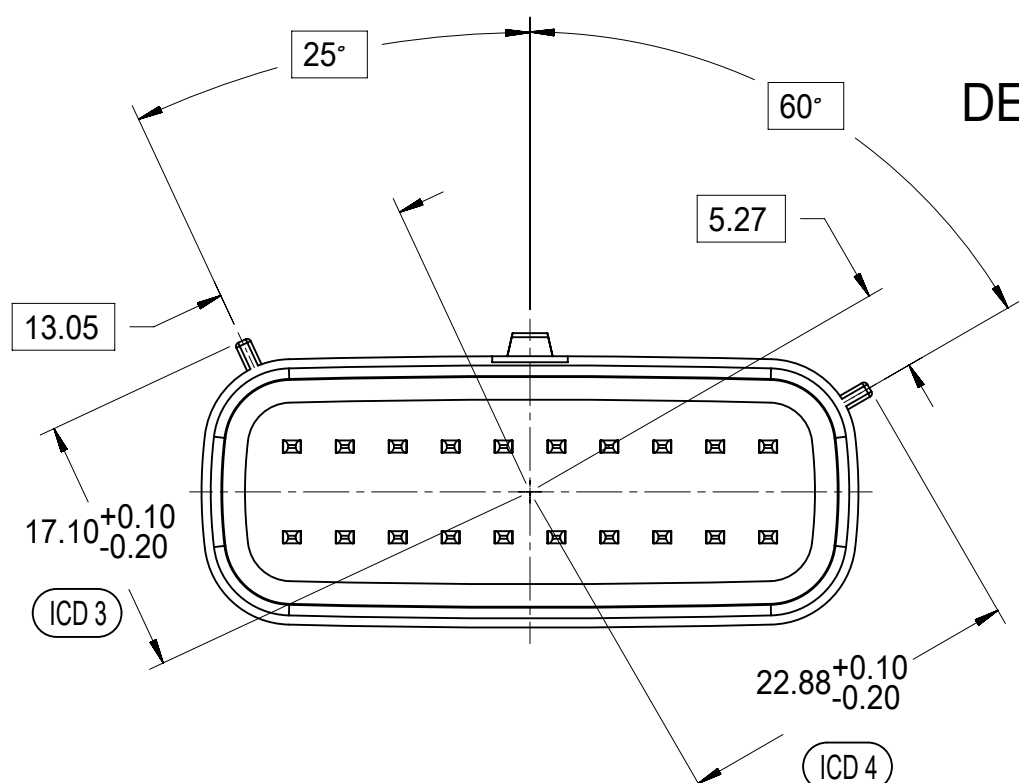
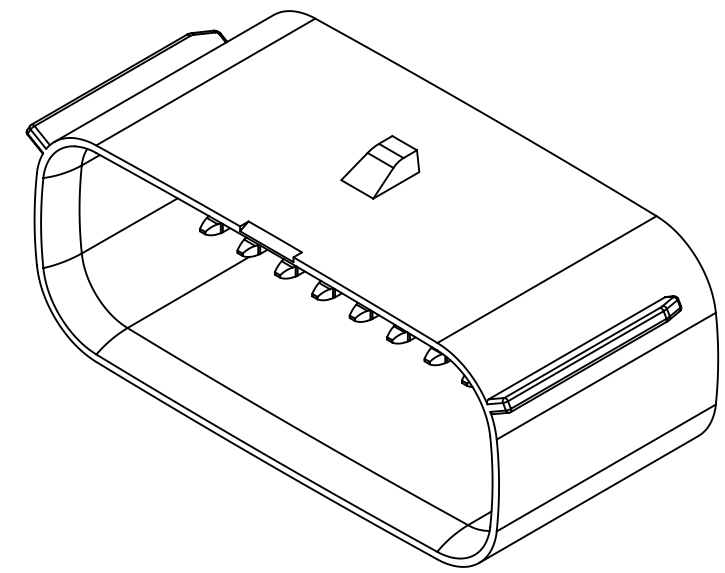
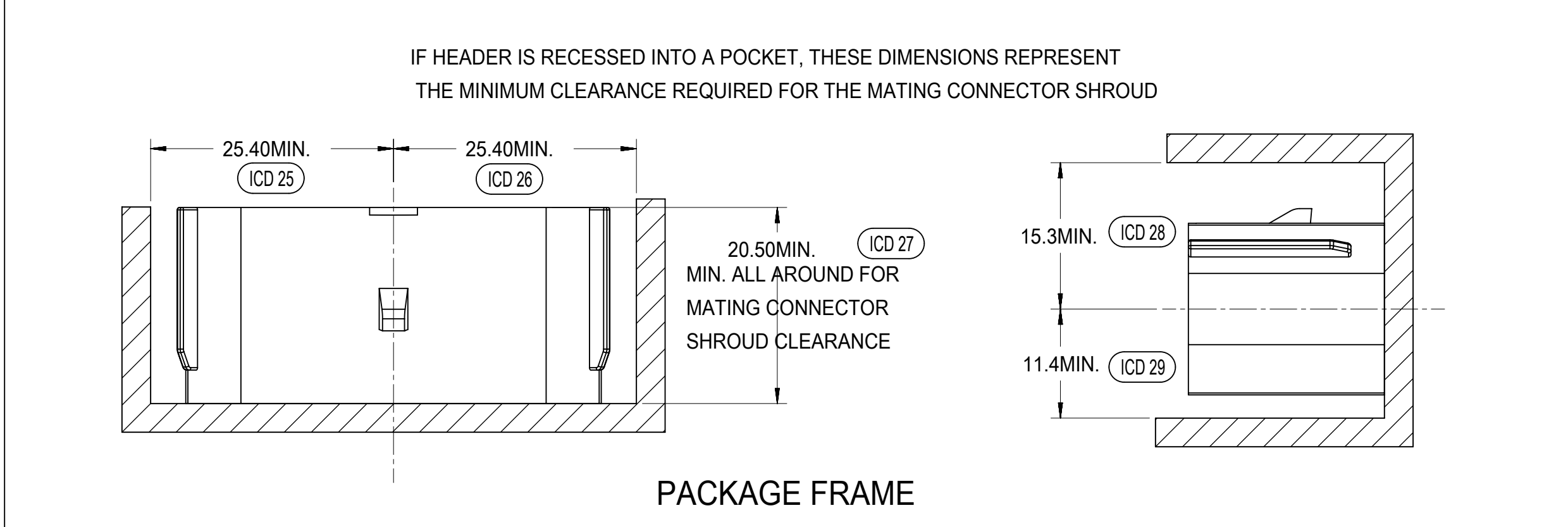
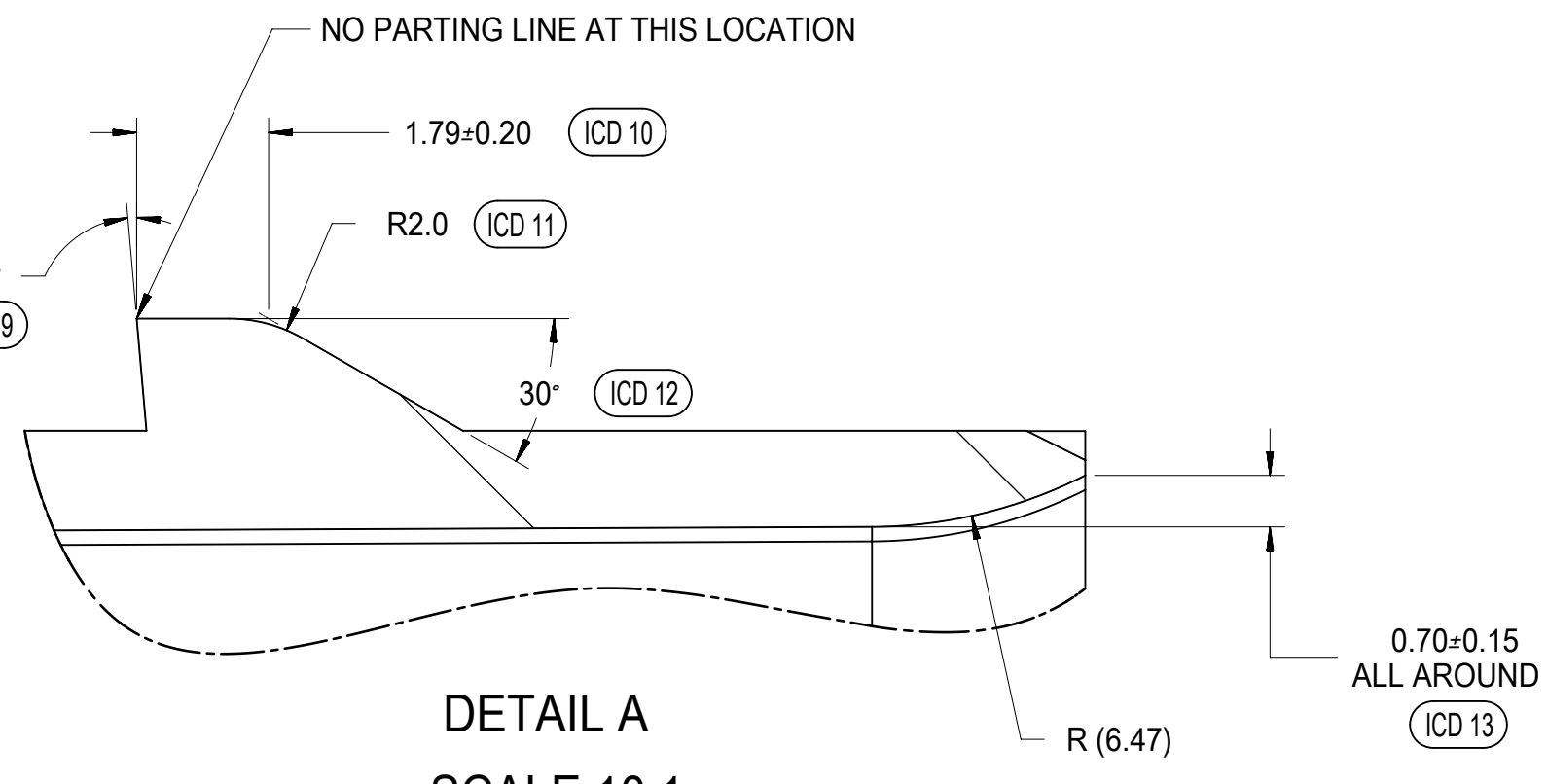
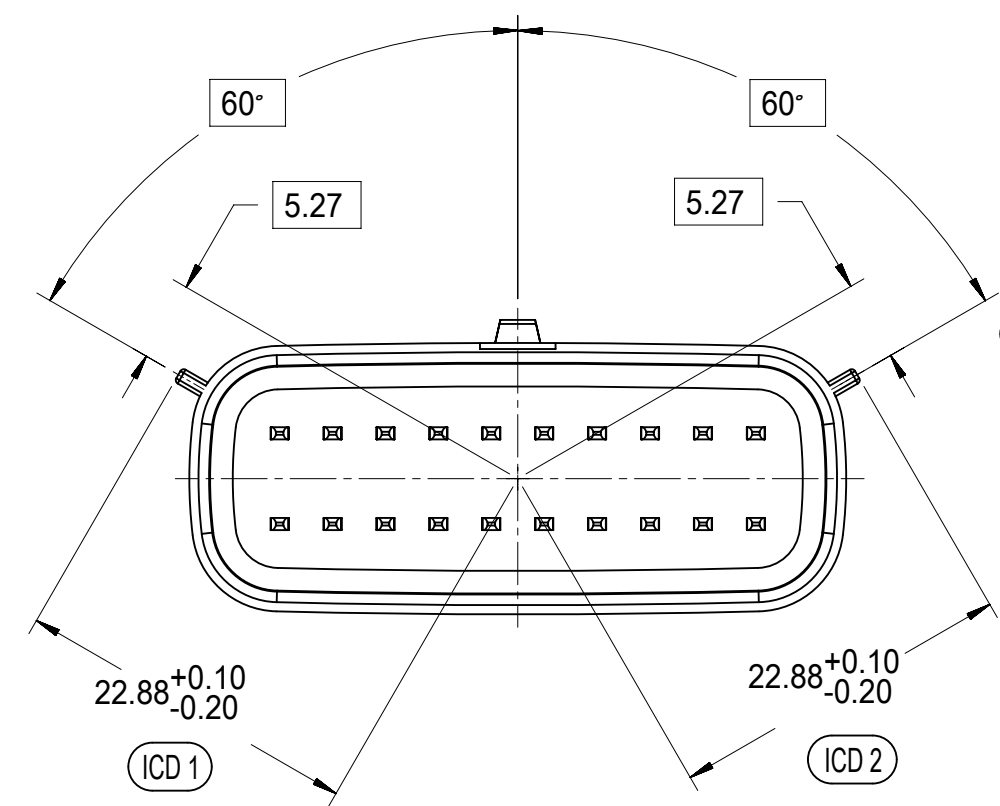
RECEPTACLE SEALED ASSEMBLY WITH RECEPTACLE BACKSHELL



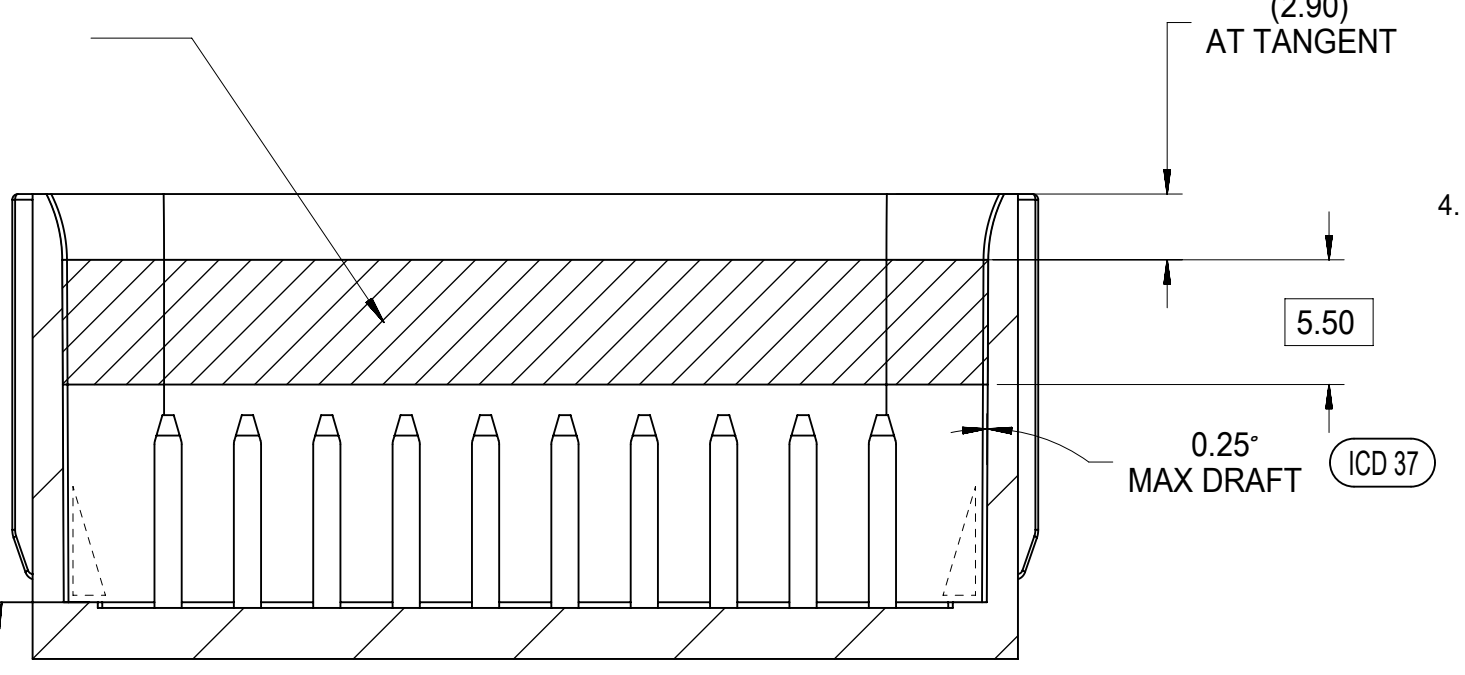
ADD THE VALUE OF 'L' TO THE TOTAL DIMENSION WHENEVER ADAPTOR IS USED

SYMBOLS THIS DRAWING CONTAINS INFORMATION THAT IS PROPRIETARY TO MOLEX ELECTRONIC TECHNOLOGIES, LLC AND SHOULD NOT BE USED WITHOUT WRITTEN PERMISSION DIMENSION UNITS: mm SCALE: 2.5:1 GENERAL TOLERANCES (UNLESS SPECIFIED) ANGULAR TOL: $\pm 1.0^\circ$ $\nabla = 0$: 4 PLACES \pm $\nabla = 0$: 3 PLACES \pm $\nabla = 0$: 2 PLACES ± 0.1 $\nabla = 0$: 1 PLACE ± 0.2 $\nabla = 0$: 0 PLACES \pm DRAFT WHERE APPLICABLE MUST REMAIN WITHIN DIMENSIONS	CURRENT REV DESC: EC NO: 171650 DRWN: DDEB 2018/01/19 CHK'D: MVANSLAMBROU 2018/02/16 APPR: MVANSLAMBROU 2018/02/16 INITIAL REVISION: DRWN: APROFFITT 2014/05/14 APPR: VKOSHY 2014/06/27				
	MX150 RCPT DUAL ROW SEALED ASSEMBLY MAT SEAL PRODUCT CUSTOMER DRAWING		DOCUMENT NUMBER SD-33472-0001	DOC TYPE PSD	DOC PART 001
MATERIAL NUMBER 33472		CUSTOMER GENERAL MARKET		SHEET NUMBER 10 OF 11	

18 17 16 15 14 13 12 11 10 9 8 7 6 5 4 3 2 1



SURFACE MUST BE FREE OF SURFACE DEFECTS AND PARTING LINES FOR SEALING ALL AROUND



SECTION B-B

CONSTRUCTION BELOW THIS SURFACE IS NOT CONTROLLED BY EWCAP. NO PLASTIC FEATURES MAY EXTEND ABOVE THIS SURFACE.

MATING INTERFACE NOTES: VALID UNLESS OTHERWISE SPECIFIED

- GENERAL:
 - DESIGNED TO MATE WITH MOLEX CONNECTOR 33472-2XXX & 160008-0XXX & 160074-0XXX. A FULL SHROUD ON THE MATING CONNECTOR IS REQUIRED TO INSURE THAT THE CONNECTOR-HEADER POLARIZATION FEATURES (OPTIONS A THRU D) WILL FUNCTION. THE FULL SHROUD ALSO PREVENTS SCOOP DAMAGE TO THE HEADER PINS. REFER TO 'SAE/USCAR-12 CONNECTOR DESIGN GUIDE LINES' FOR ADDITIONAL INFORMATION.
 - PARTS MUST BE IN COMPLIANCE TO MOLEX CHEMICAL SUBSTANCES FOR PRODUCTS AND PACKAGING SPECIFICATION: ES-40000-5016
 - FLAMMABILITY REQUIREMENT: PER ISO3795 OR GM3191
 - BURN RATE 100mm/MIN MAXIMUM
 - MATERIAL MUST BE SELF EXTINGUISHING
- MATERIALS:
 - MATERIAL: SPS/NYLON GF20, REGRIND 20% MAX BY WEIGHT
 - STANDARD COLORS FOR POLARIZATION (SEE KEYING OPTIONS TABLE). DEVIATION REQUIRES APPROVAL OF AUTHORIZED PERSON
 - FOR BLADE BASE MATERIAL, PLATING AND PROCESS LUBRICANT:
 - TIN: - BASE MATERIAL: COPPER ALLOY, CONDUCTIVITY >=60% IACS AT 20°C; TENSILE STRENGTH >= 410 N/mm² P - BARRIER MATERIAL: NICKEL DEPOSIT FROM NICKEL SULFAMATE PLATING SOLUTION W/O ANY ADDITIVES THICKNESS: 1.25 - 2.25 MICROMETERS - TOP LAYER: 100% ELECTRO-DEPOSITED TIN, MATTE FINISH THICKNESS: 2.5 - 4.0 MICROMETERS
 - SILVER: - BARRIER MATERIAL: ELECTRO-DEPOSITED DUCTILE SULPHAMATE NICKEL THICKNESS: 1.25 - 2.25 MICROMETERS - TOP LAYER: ELECTRO-DEPOSITED SEMI-BRIGHT PURE SILVER (0.5% MAX IMPURITIES) OVER NICKEL ANTI-TARNISH TREATMENT EVERBRIGHT WS THICKNESS: 1.9 - 3.3 MICROMETERS
 - BLADES MUST CONFORM TO ES-40000-5007, EXCEPT FOR SPECULAR REFLECTIVITY - SECTION 6.0
 - ANY PROCESS LUBRICANT REMAINING ON THE TERMINAL MUST NOT VARNISH OR DEGRADE IT'S ELECTRICAL PERFORMANCE UP TO A MAXIMUM CLASS AMBIENT TEMPERATURE PER SAE USCAR-2 FOR 1008 HOURS, PROCESS LUBRICANTS SHOULD BE APPROVED BY THE RESPONSIBLE ENGINEER.
 - INFORMATION FOR BLADE DESIGN WAS DEVELOPED FROM EWCAP DWG: EWCAP-001
- GEOMETRY:
 - THIS IS A 100% CAD GENERATED PART. THE CAD MATHEMATICAL DATA IS THE MASTER FOR THIS PART. FOR DIMENSIONAL OR ANY INFORMATION NOT SHOWN ON THIS DRAWING, ANALYZE THE CAD MODEL.
 - GEOMETRIC DIMENSIONS AND TOLERANCES PER ASME Y14.5M - 1994
 - GENERAL TOLERANCES: SEE TITLE BLOCK
 - EDGES AND UNDIMENSIONED DETAILS PER ISO13715
- MANUFACTURING:
 - DRAFT TO BE WITHIN TOLERANCE. PLUS DRAFT - INDICATES A DIMENSION REPRESENTS THE SMALLEST SIZE OF A FEATURE. DRAFT WILL ADD MATERIAL. MINUS DRAFT - INDICATES A DIMENSION REPRESENTS THE LARGEST SIZE OF A FEATURE. DRAFT WILL REMOVE MATERIAL.
 - ALLOWABLE FLASH MAX 0.20 HIGH BY MAX 0.13 THICK.
 - ALLOWABLE SPLIT/PARTING LINE MISMATCH 0.2 MAX.
 - VISUAL DEFECTS SHALL MEET COSMETIC STANDARD PS-45499-002 (Class B)
 - NO EXTERNAL MOLD RELEASE AGENT ALLOWED DURING MANUFACTURING
 - NO PARTING LINES, NO DRAFT, MISMATCHES OR EJECTOR MARKS PERMISSIBLE WITHIN SEALING SURFACE. SEALING SURFACE TOOLING TO BE PROCESSED TO SURFACE FINISH OF NITRA #700 PAPER MINIMUM.

NOT VALIDATED

150-S-020-2-D02	D	STONE GRAY
150-S-020-2-C02	C	DK GRAY
150-S-020-2-B02	B	LT GRAY
150-S-020-2-A02	A	BLACK
PIN	OPTION	MATING CONNECTOR COLOR

DETAIL C SCALE 20:1 APPLIES 2X SEE KEYING OPTION VIEWS FOR POSITIONS

SYMBOLS	DIMENSION UNITS	SCALE
▽ = 0	mm	1:1
▽ = 0	GENERAL TOLERANCES (UNLESS SPECIFIED)	
▽ = 0	ANGULAR TOL ± 1.0°	
▽ = 0	4 PLACES ±	
▽ = 0	3 PLACES ±	
▽ = 0	2 PLACES ± 0.1	
▽ = 0	1 PLACE ± 0.2	
▽ = 0	0 PLACES ±	
▽ = 0	DRAFT WHERE APPLICABLE MUST REMAIN WITHIN DIMENSIONS	

THIS DRAWING CONTAINS INFORMATION THAT IS PROPRIETARY TO MOLEX ELECTRONIC TECHNOLOGIES, LLC AND SHOULD NOT BE USED WITHOUT WRITTEN PERMISSION	
CURRENT REV DESC:	
EC NO: 171650	2018/01/19
DRWN: DDEB	2018/02/16
CHK'D: MVANSLAMBROU	2018/02/16
APPR: MVANSLAMBROU	2018/02/16
INITIAL REVISION:	
DRWN: APROFFITT	2014/05/14
APPR: VKOSHY	2014/06/27
THIRD ANGLE PROJECTION	DRAWING
	A1-SIZE
SERIES	33472

molex			
MX150 RCPT DUAL ROW SEALED ASSEMBLY MAT SEAL			
PRODUCT CUSTOMER DRAWING			
DOCUMENT NUMBER	DOC TYPE	DOC PART	REVISION
SD-33472-0001	PSD	001	C2
MATERIAL NUMBER	CUSTOMER	SHEET NUMBER	
	GENERAL MARKET	11 OF 11	

DOCUMENT STATUS	P1	RELEASE DATE	2018/02/16	22:02:25
-----------------	----	--------------	------------	----------