

Reference:

Cable tie

1. Material: See chart
2. Material color: See chart

Performance requirements at 2.4% moisture by weight:

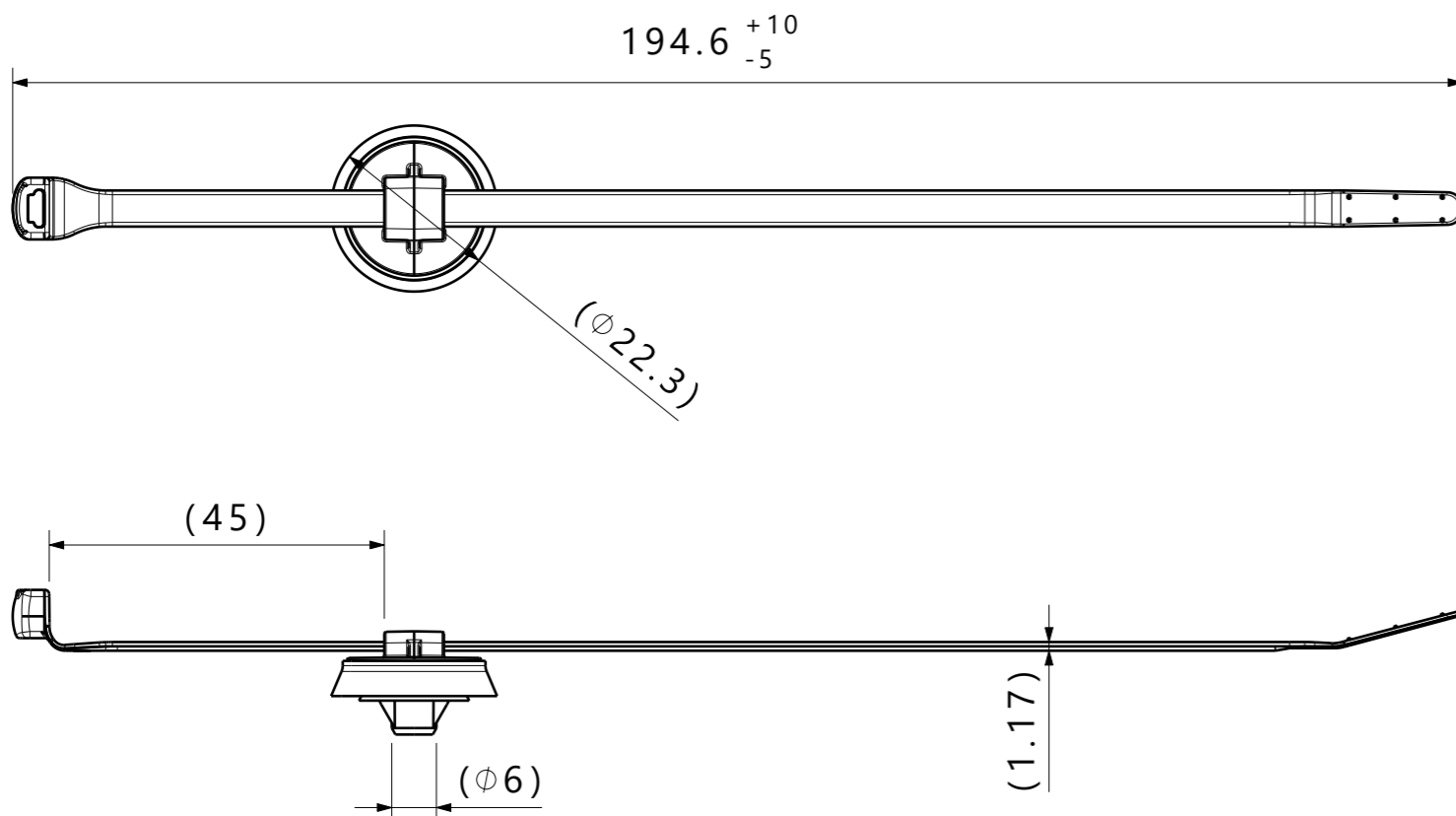
1. Cable tie min loop tensile strength: 225 newtons (50 lbf)

Mount

1. Material: See chart
2. Material color: See chart
3. Sheet metal thickness range: 1.2mm - 1.8mm
4. Applicable oval hole sizes:
  - A. 6.5mm +/-0.4
  - B. 6.35mm Hex +/-0.2mm

Performance requirements at dry as molded:

1. Arrowhead push in force: 45 newtons (10 lbf) max in each applicable nominal oval hole size and a plate thickness of 1.8mm.
2. Arrowhead pull out force: 110 newtons (25 lbf) min in each applicable nominal oval hole size and a plate thickness of 1.8mm.
3. Design to meet static & high pressure spray seal requirements of SAE/ USCAR-44.



Global Part Description	Bundle Range	Cable Ties			Mount		
		Drawing	Material	Color	Drawing	Material	Color
LPT50RSRAH6.5D1.4TSD-PA66HS/PA66HIRHS/TPE-GY/BK	4mm to 50mm	16-0362-001-CSU	PA66HS	Black	16-0348-041-CSU	PA66HIRHS/TPE	Grey/ Black

Revision Level			Revision Record		Drawn	Date (YYYY/MM/DD)	Title	Scale
Drawing	State	Part	ECN 017001		Rohde	2022/04/12		LPT50R cable tie with sealed round barrel arrowhead mount
00.1	Design Release				Approved	Date (YYYY/MM/DD)	Global Project Number	
Changed	Date (YYYY/MM/DD)					Haftarski	2022/05/05	22-0122
Rohde	2022/05/05							Format
Approved	Date (YYYY/MM/DD)							A3
Haftarski	2022/05/05							Sheet
								1 / 1



The copyright of this drawing is reserved by HellermannTyton.

All drawing revisions are stored in CAD PDM database

Units  
mm

**HellermannTyton**  
www.HellermannTyton.com

Drawing-No  
**22-0122-101-CSU**