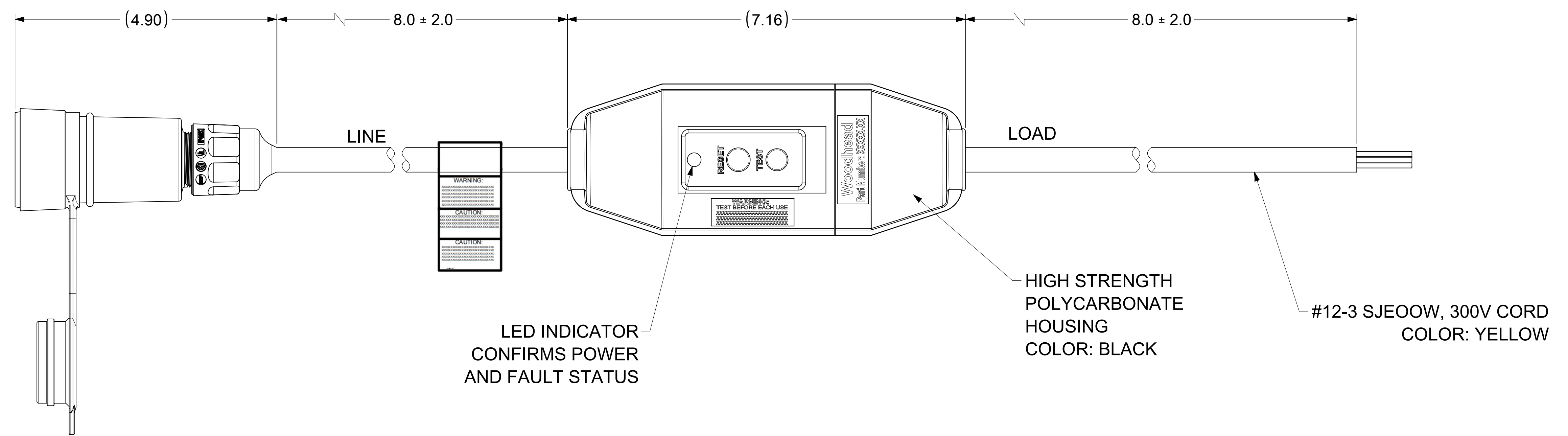


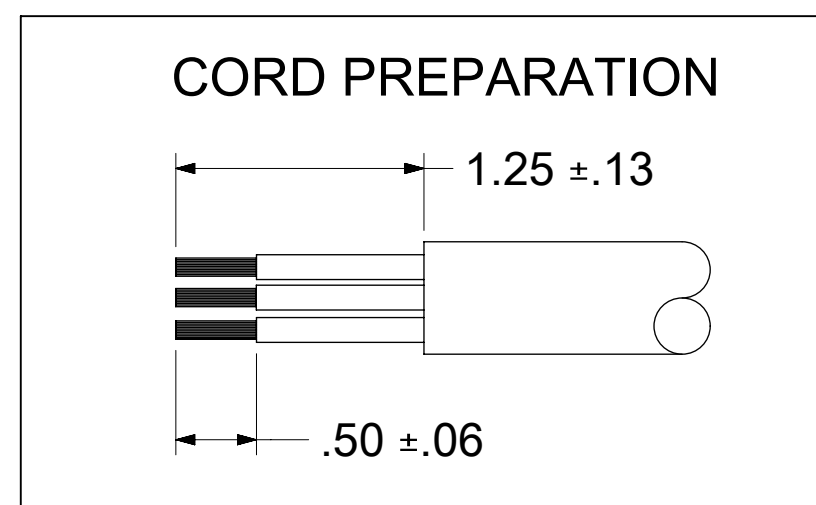
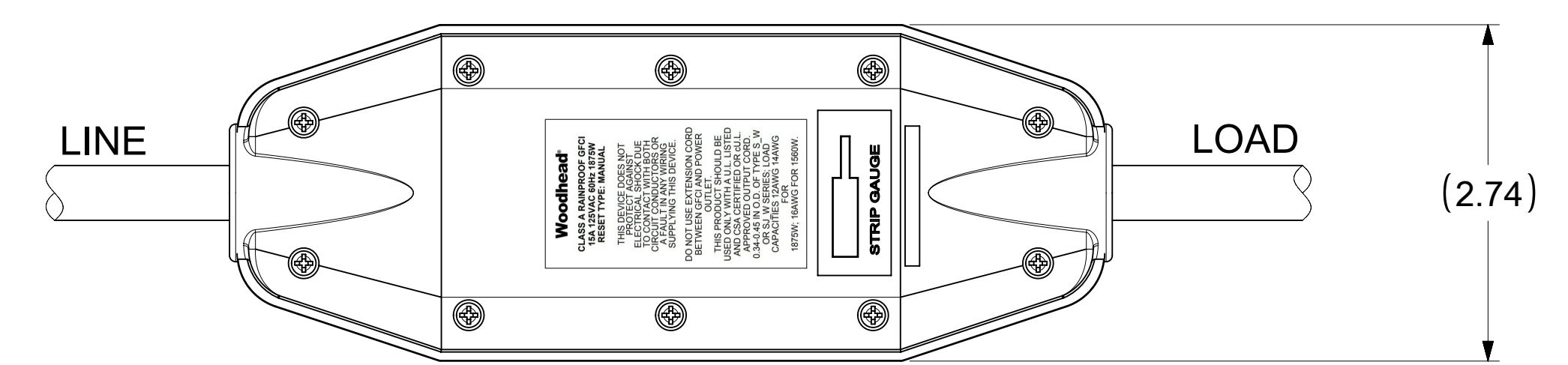
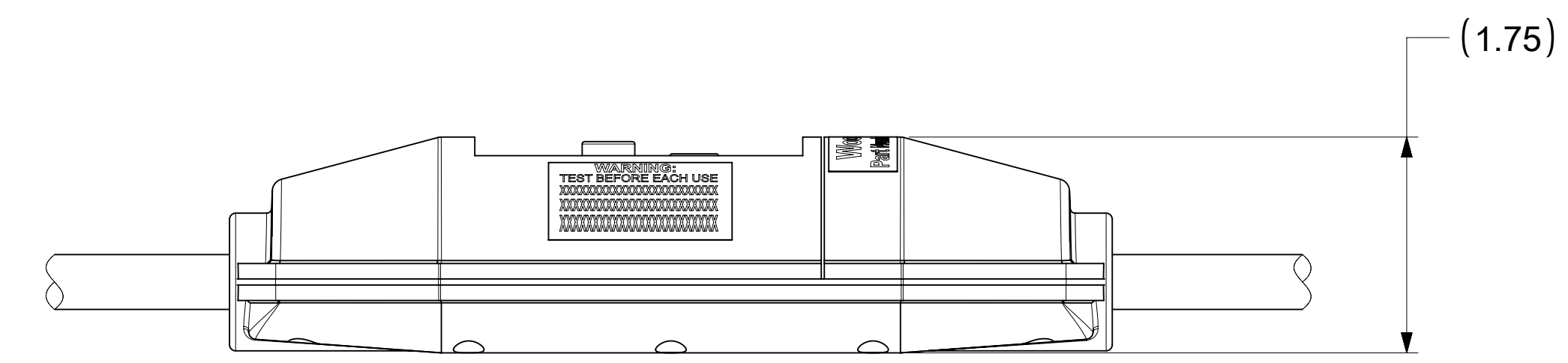
YELLOW 15W47  
NEMA 5-15



LED INDICATOR  
CONFIRMS POWER  
AND FAULT STATUS

HIGH STRENGTH  
POLYCARBONATE  
HOUSING  
COLOR: BLACK

#12-3 SJEOOW, 300V CORD  
COLOR: YELLOW



THIS PRODUCT IS NOT UL LISTED

**GFCI TECHNICAL SPECIFICATIONS:**  
 RATED SUPPLY VOLTAGE: 125 VAC  
 RATED CURRENT: UP TO 15 AMPS OR CABLE RATING  
 RESET TYPE: AUTOMATIC OR MANUAL  
 OPERATING FREQUENCY: 60 Hz  
 TYPE: CLASS A  
 GROUND TRIP CURRENT: 4-6 mA  
 OVERLOAD CURRENT: 90 AMP 125 VAC  
 INSULATION VOLTAGE: 1,500 VRMS - 1 MINUTE  
 ENDURANCE OPERATIONS: 3000 OPERATIONS

FUNCTIONAL SYMBOLS $F_A = 0$ $F_C = 0$ $F_P = 0$ DIVISIONAL SYMBOLS	THIS DRAWING CONTAINS INFORMATION THAT IS PROPRIETARY TO MOLEX ELECTRONIC TECHNOLOGIES, LLC AND SHOULD NOT BE USED WITHOUT WRITTEN PERMISSION		CURRENT REV DESC: MIGRATION TO ECTR/NX		
	DIMENSION UNITS	SCALE	 15A/125V MANUAL GFCI 15W47 CONNECTOR 8 FT SJEOOW FLYING LEADS PRODUCT CUSTOMER DRAWING		
	INCH	NTS			
	GENERAL TOLERANCES (UNLESS SPECIFIED)				
	ANGULAR TOL ± 0.5°				
4 PLACES ±					
3 PLACES ±		EC NO: 686220	2021/08/31		
2 PLACES ± 0.05		DRWN: VASUTHKARP	2021/12/01		
1 PLACE ± 0.1		CHK'D: DNGUYEN62	2022/01/04		
0 PLACES ±		APPR: HKNEELAN			
DRAFT WHERE APPLICABLE MUST REMAIN WITHIN DIMENSIONS		INITIAL REVISION: DRWN: BPATTERS APPR: HKNEELAN	2017/05/24 2017/06/02		
THIRD ANGLE PROJECTION		DRAWING	SERIES	MATERIAL NUMBER	
		D-SIZE	130153	1301530275	
		CUSTOMER		GENERAL MARKET	
				SHEET NUMBER	
				1 OF 1	