

MATERIAL NO.	ENGINEERING NO.	FINISHED LENGTH
1300660237	CR4000A30M750	75 METERS
1300660165	CR4000A30M070	7 METERS
1300660164	CR4000A30M060	6 METERS
1300660163	CR4000A30M050	5 METERS
1300660162	CR4000A30M030	3 METERS
1300660160	CR4000A30M020	2 METERS
1300660159	CR4000A30M017	1.7 METERS
1300660158	CR4000A30M016	1.6 METERS
1300660157	CR4000A30M013	1.3 METERS
1300660156	CR4000A30M011	1.1 METERS
1300660154	CR4000A30M010	1 METERS
1300660153	CR4000A30M009	0.9 METERS
1300660152	CR4000A30M005	0.5 METERS
1300660150	CR4000A30M003	0.3 METERS
1300660149	CR4000A30A120	12 INCHES
1300662008	CR4000A30M040	4 METERS

**CABLE LENGTH TOLERANCES**

(F) <.3M [1FT]: +19mm-0 [+1.75in-0]

.3 - <.9M [1 - <3FT]: +44.5mm-0 [+1.75in-0]

.9 - <1.8M [3 - <6FT]: +55.6mm-0 [+2.19in-0]

1.8 - <3.7M [6 - <12FT]: +88.9mm-0 [+3.50in-0]

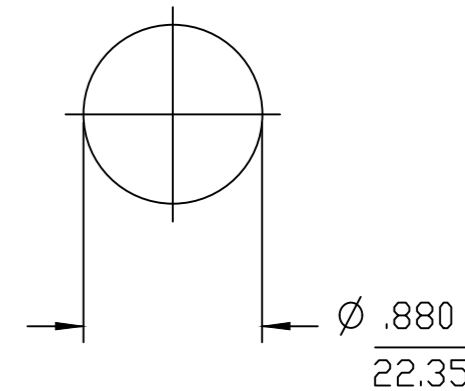
3.7 - <7.3M [12 - <24FT]: +165.1mm-0 [+6.50in-0]

7.3 - <14.6M [24 - <48FT]: +317.5mm-0 [+12.50in-0]

14.6 - <30.5M [48 - <100FT]: +622.3mm-0 [+24.50in-0]

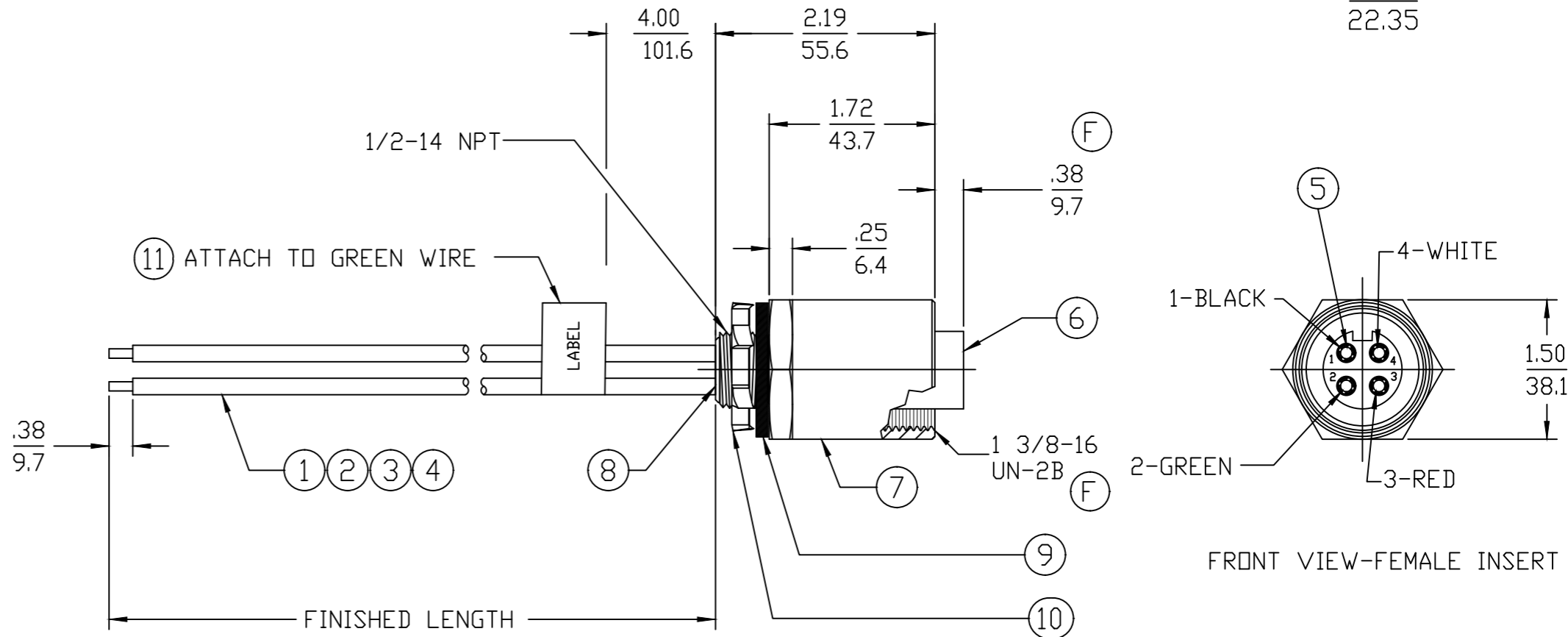
OVER 30M [100FT] +2% OF FINISHED LENGTH

KNOCKOUT HOLE



**NOTES:**

- MATERIAL: AS NOTED
- FINISHES: AS NOTED
- ELECTRICAL SPECIFICATIONS  
VOLTAGE RATING: 500V PER IEC60664  
600V PER UL2237  
CURRENT RATING: 32 AMPS
- PROTECTION: IP67 (WHEN MATED)
- TEMP RANGE: -20°C TO +90°C
- AGENCY LISTING: E258922, PVVA
- ALL DIMS ARE FOR REFERENCE  
UNLESS NOTED OTHERWISE



ITEM	DESCRIPTION	MATERIAL	FINISH
11	FLAG LABEL	VINYL	YELLOW
10	LOCK NUT	STEEL	ZINC PLATED
9	GASKET	NEOPRENE	BLACK
8	POTTING	EPOXY	BLACK
7	RECEPTACLE SHELL	ALUMINUM ALLOY	ANODIZED
6	FEMALE INSERT	TPE	BLACK
5	SOCKET CONTACT	COPPER	GOLD PLATED
4	#10-1 AWG UL1015 WIRE	PVC JACKET	RED
3	#10-1 AWG UL1015 WIRE	PVC JACKET	GREEN
2	#10-1 AWG UL1015 WIRE	PVC JACKET	WHITE
1	#10-1 AWG UL1015 WIRE	PVC JACKET	BLACK

**PART NO. LEGEND**  
CR4000A30M005

WIRE TYPE: 10 AWG PVC

FINISHED LENGTH  
M005= 0.5 METER  
M010= 1 METER  
M100= 10 METERS  
A120= 12 INCHES

FUNCTIONAL SYMBOLS		THIS DRAWING CONTAINS INFORMATION THAT IS PROPRIETARY TO MOLEX ELECTRONIC TECHNOLOGIES, LLC AND SHOULD NOT BE USED WITHOUT WRITTEN PERMISSION	
▽=0	DIMENSION UNITS	SCALE	CURRENT REV DESC: UPDATED BORDER, CORRECTED INSERT HEIGHT, CORRECTED CABLE LENGTH CHART, ADDED INT. THREAD CUTOUT
▽=0	INCH/MM	1:1	
▽=0	GENERAL TOLERANCES (UNLESS SPECIFIED)		
	mm	INCH	
	4 PLACES ±----	±----	EC NO: 736452
	3 PLACES ±----	±----	DRWN: SAMB12 2023/01/24
	2 PLACES ±----	±----	CHK'D: RSTONE 2023/02/02
	1 PLACE ±----	±----	APPR: BWOODMAN 2023/02/06
	0 PLACES ±----	±----	INITIAL REVISION:
	ANGULAR TOL ± ---- °		DRWN: MODELL 2009/02/23
	DRAFT WHERE APPLICABLE MUST REMAIN WITHIN DIMENSIONS	THIRD ANGLE PROJECTION	APPR: RDEROSS 2009/02/25
		DRAWING	SERIES
		B-SIZE	130066
		MATERIAL NUMBER	CUSTOMER
		SD-130066-025	GENERAL MARKET
		DOC TYPE	DOC PART
		PSD	001
		REVISION	F
		SHEET NUMBER	1 OF 1