

HEADERS CODINGS

(CODING 2 SHOWN)

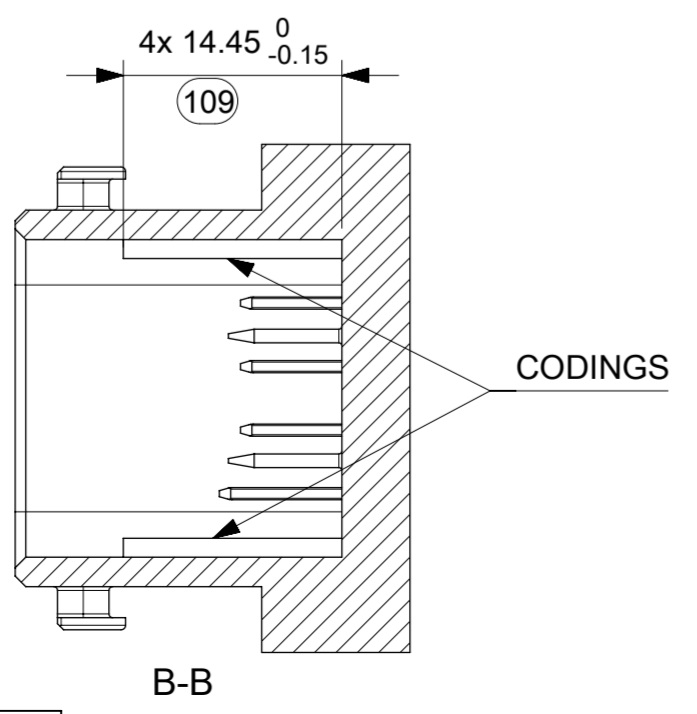
HEADER'S CODINGS FOR MODULE T2 (32W)					
COLOR	CODING	DIM. A	DIM. B	DIM. C	DIM. D
BLACK	1	9.1	4.3	5.9	4.3
GREY	2	7.5	5.9	9.1	5.9
BROWN	3	5.9	7.5	9.1	9.1
GREEN	4	7.5	9.1	4.3	4.3
BLUE	5	4.3	7.5	5.9	5.9
YELLOW	6	9.1	7.5	4.3	7.5

(CODING 3 SHOWN)

HEADER'S CODINGS FOR MODULE T3 (48W)					
COLOR	CODING	DIM. A	DIM. B	DIM. C	DIM. D
BLACK	1	12.9	6.3	8.5	6.3
GREY	2	10.7	8.5	12.9	8.5
BROWN	3	8.5	10.7	12.9	12.9
GREEN	4	10.7	12.9	6.3	6.3
BLUE	5	6.3	10.7	8.5	8.5
YELLOW	6	12.9	10.7	6.3	10.7

NOTE:

- 1- INTERFACE DEFINITION BASED ON NFR13-462 STANDARD.
- 2- HEADER: ELASTICITY MODULUS: 8000Mpa min. (INITIAL CONDITION BEFORE AGEING)



THIS DRAWING CONTAINS INFORMATION THAT IS PROPRIETARY TO MOLEX ELECTRONIC TECHNOLOGIES, LLC AND SHOULD NOT BE USED WITHOUT WRITTEN PERMISSION

DIMENSION UNITS: mm	SCALE: 2:1	CURRENT REV DESC: NX RE-MASTERING	
GENERAL TOLERANCES (UNLESS SPECIFIED)		EC NO: 603689	
ANGULAR TOL	± 2.0°	DRWN: SLAFAURE	2018/07/17
4 PLACES	± 0.10	CHK'D: OPLESSIS	2018/08/31
3 PLACES	± 0.10	APPR: SLAFAURE	2018/09/03
2 PLACES	± 0.10	INITIAL REVISION:	
1 PLACE	± 0.10	DRWN: G.DESBRUERES	2008/10/02
0 PLACES	±	APPR: OPLESSIS	2008/10/06
DRAFT WHERE APPLICABLE MUST REMAIN WITHIN DIMENSIONS	FIRST ANGLE PROJECTION	DRAWING: A2-SIZE	SERIES: 98644

32 & 48CKT CMC INTERFACE

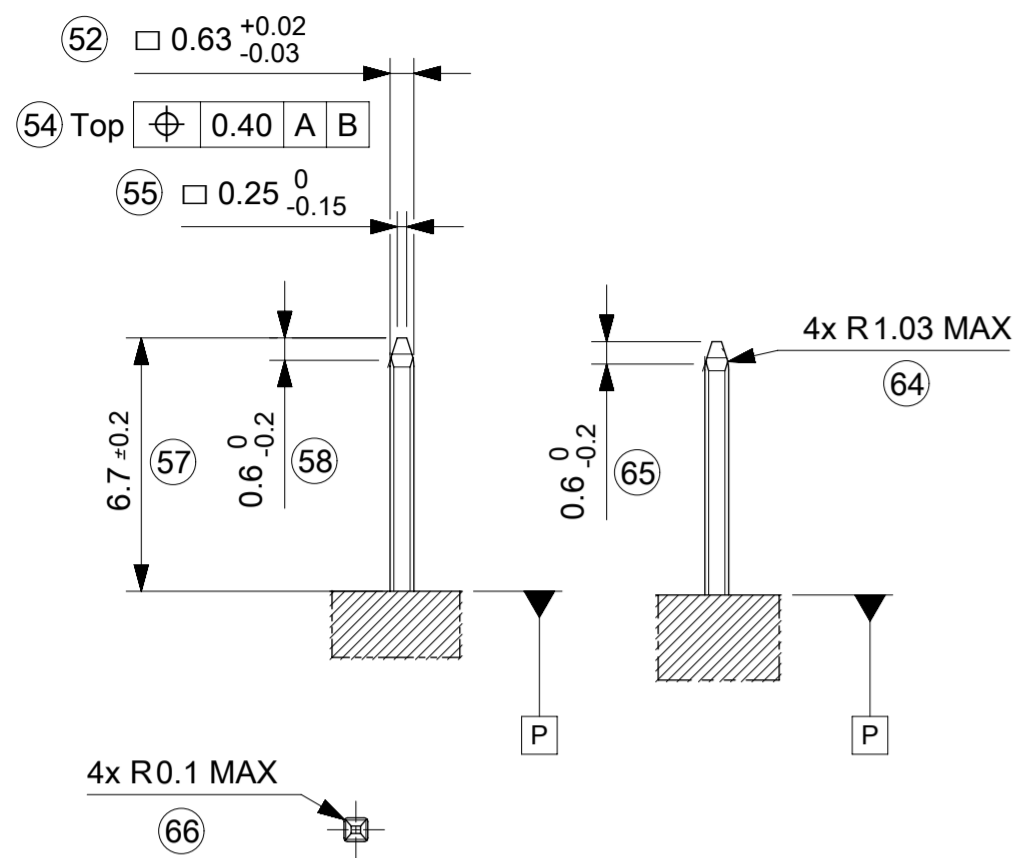
PRODUCT CUSTOMER DRAWING

DOCUMENT NUMBER	DOC TYPE	DOC PART	REVISION
SD-98644-006	PSD	001	B1

MATERIAL NUMBER	CUSTOMER	SHEET NUMBER
N/A	GENERAL MARKET	1 OF 3

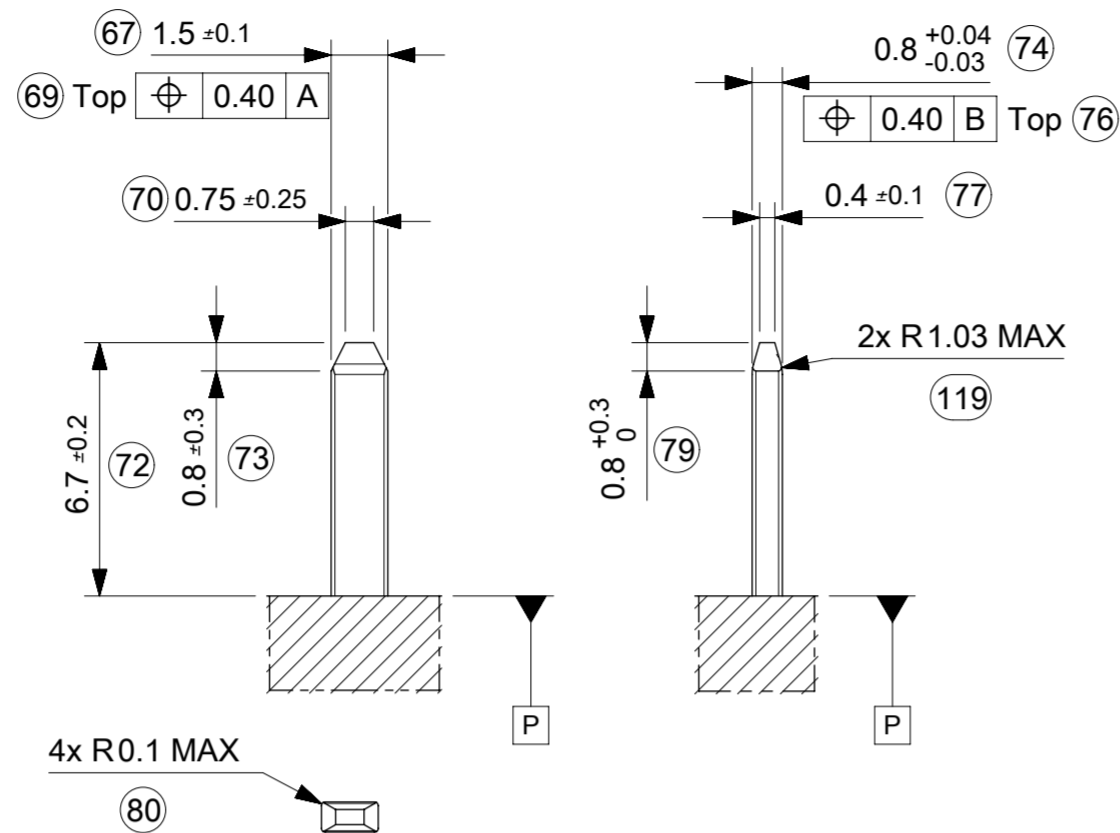
PINS 0.635 DEFINITION

5:1



TABS 1.5 DEFINITION

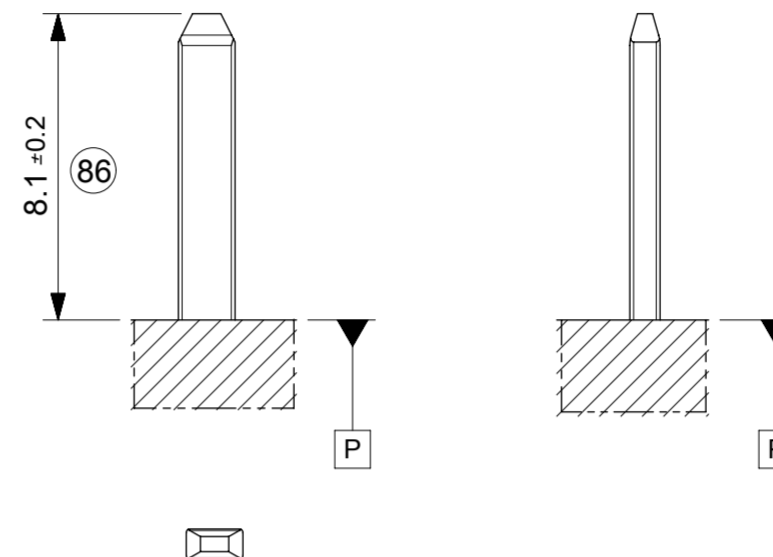
5:1



GROUND TABS 1.5 DEFINITION

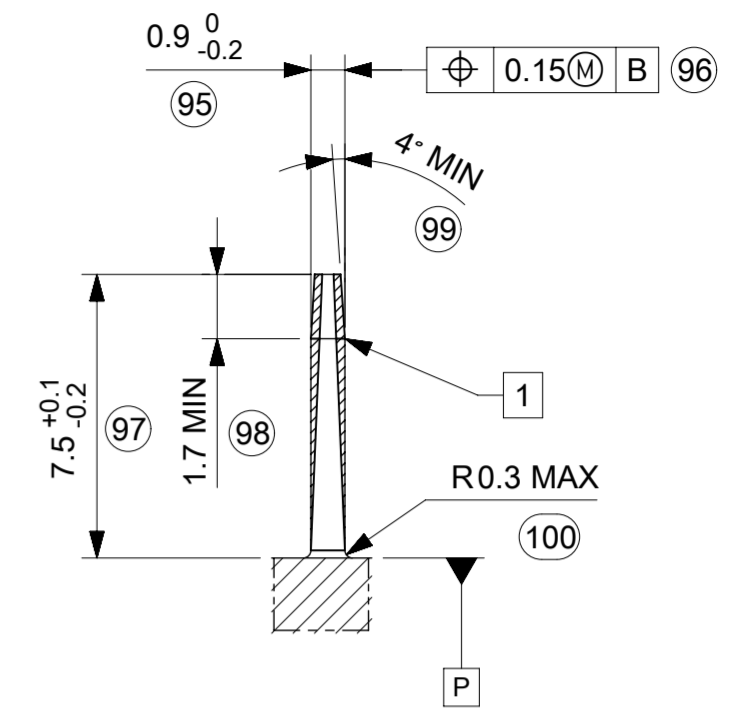
5:1

FOR OTHER DIMENSIONS
SEE TABS 1.5 DEFINITION



PROTECTION WALL DEFINITION

5:1

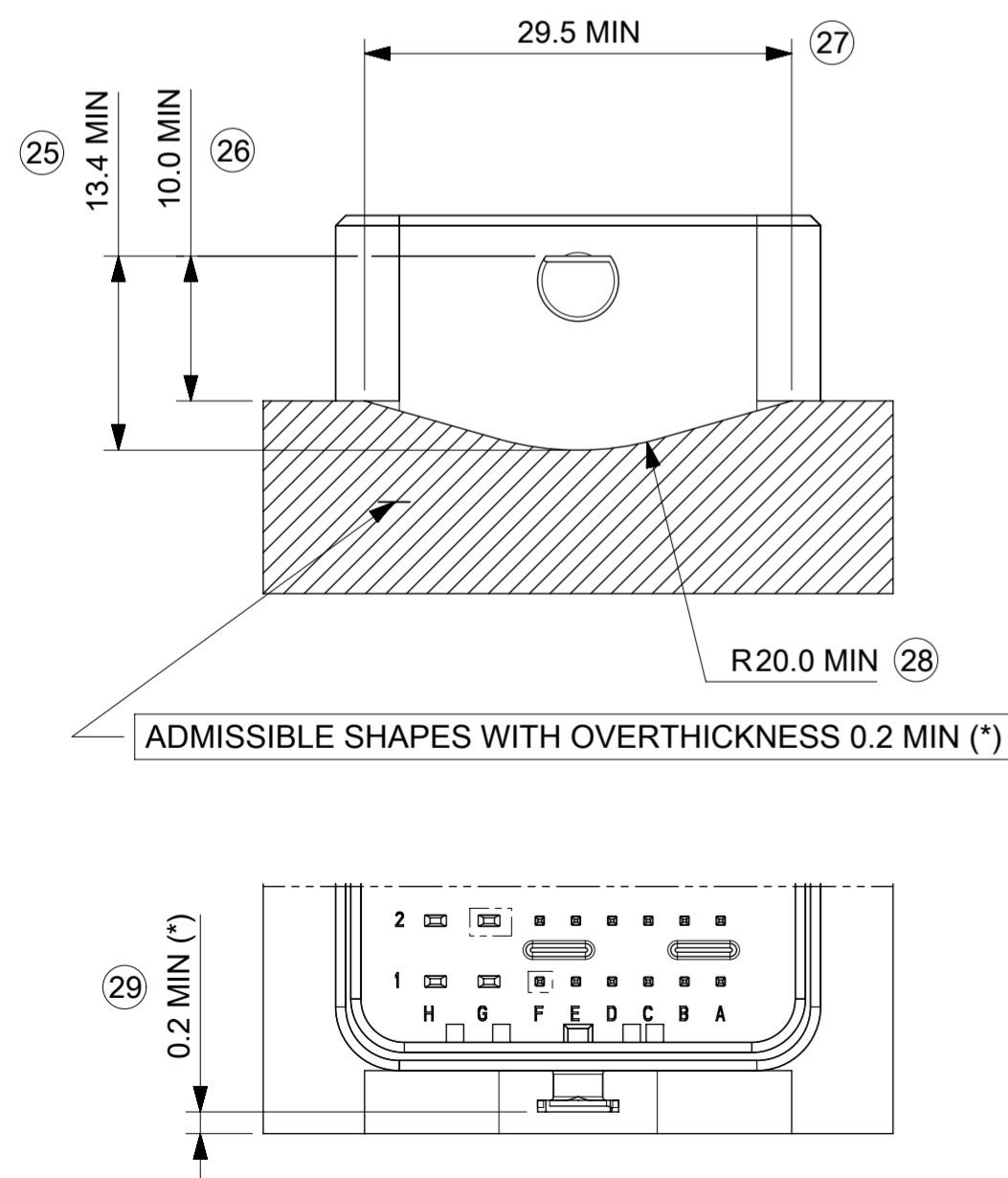


1 : SHAPES ALLOWED

LOCKING AXIS PROTECTION

5:1

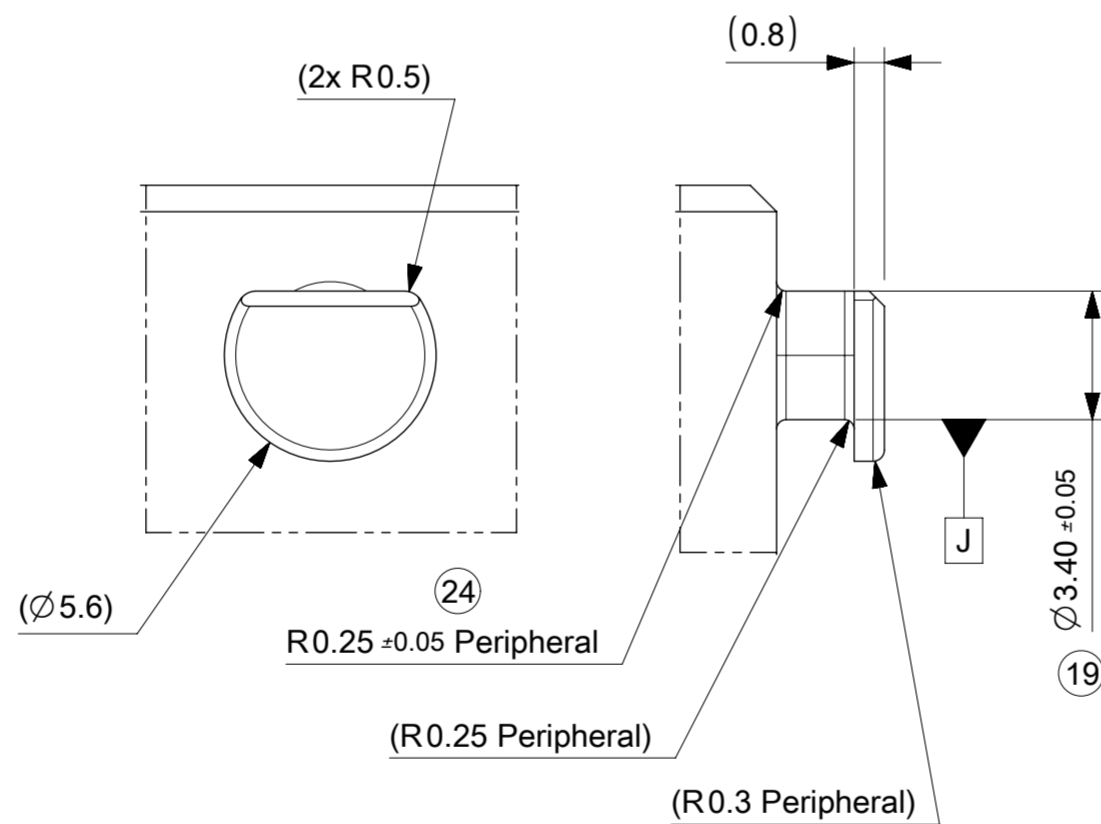
MANDATORY OVERTHICKNESS: dimension noted (*)
IF THE LOCKING AXIS ARE OUT OF
EQUIPMENT OVERALL DIMENSIONS.



ADMISSIBLE SHAPES WITH OVERTHICKNESS 0.2 MIN (*)

LOCKING AXIS DEFINITION

5:1



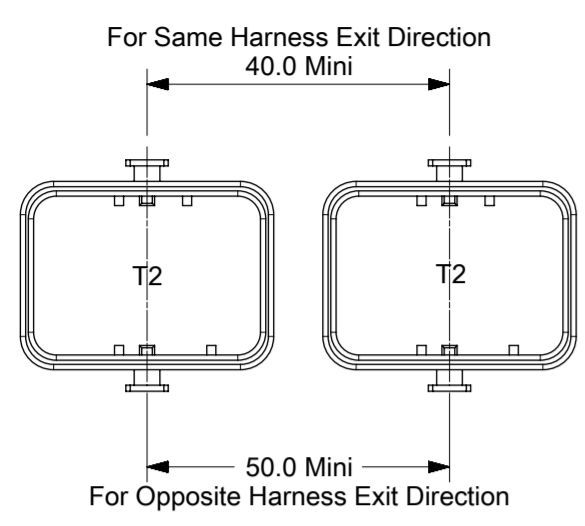
(R0.25 Peripheral)

(R0.3 Peripheral)

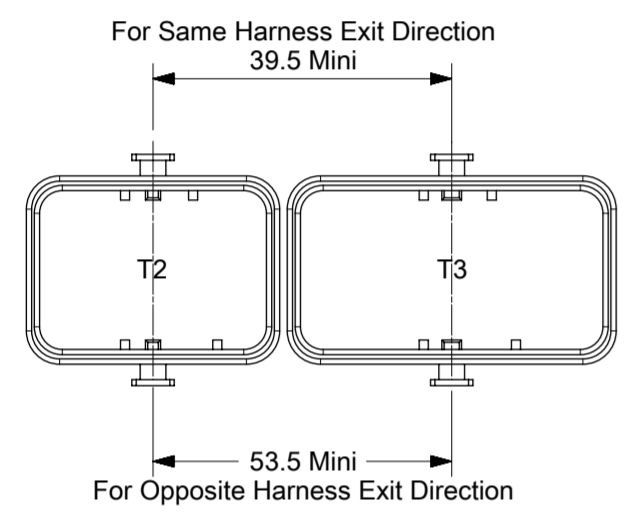
THIS DRAWING CONTAINS INFORMATION THAT IS PROPRIETARY TO MOLEX ELECTRONIC TECHNOLOGIES, LLC AND SHOULD NOT BE USED WITHOUT WRITTEN PERMISSION

DIMENSION UNITS	SCALE	CURRENT REV DESC: NX RE-MASTERING	
mm	1:1		
GENERAL TOLERANCES (UNLESS SPECIFIED)			
ANGULAR TOL	$\pm 2.0^\circ$	EC NO: 603689	
4 PLACES	± 0.1	DRWN: GMANIVANNAN	2018/07/17
3 PLACES	± 0.1	CHK'D: OPLESSIS	2018/08/31
2 PLACES	± 0.1	APPR: SLAFAURE	2018/09/03
1 PLACE	± 0.1	INITIAL REVISION:	
0 PLACES	\pm	DRWN: GDESBRUERES	2008/10/02
		APPR: OPLESSIS	2008/10/06
DRAFT WHERE APPLICABLE MUST REMAIN WITHIN DIMENSIONS	FIRST ANGLE PROJECTION	DRAWING	SERIES
		A2-SIZE	98644
DOCUMENT NUMBER		MATERIAL NUMBER	CUSTOMER
SD-98644-006		N/A	GENERAL MARKET
DOC TYPE	DOC PART	REVISION	
PSD	001	B1	
SHEET NUMBER		2 OF 3	

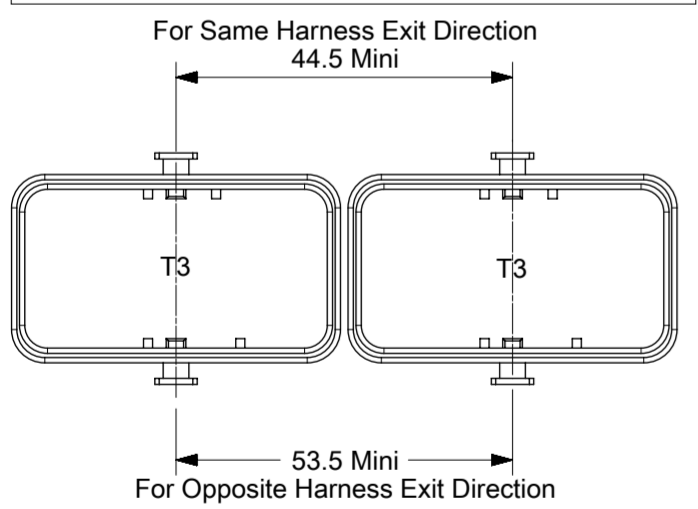
LAYOUT FOR TWO INTERFACES T2 (32W)



LAYOUT FOR TWO INTERFACES T2 (32W) AND T3 (48W)



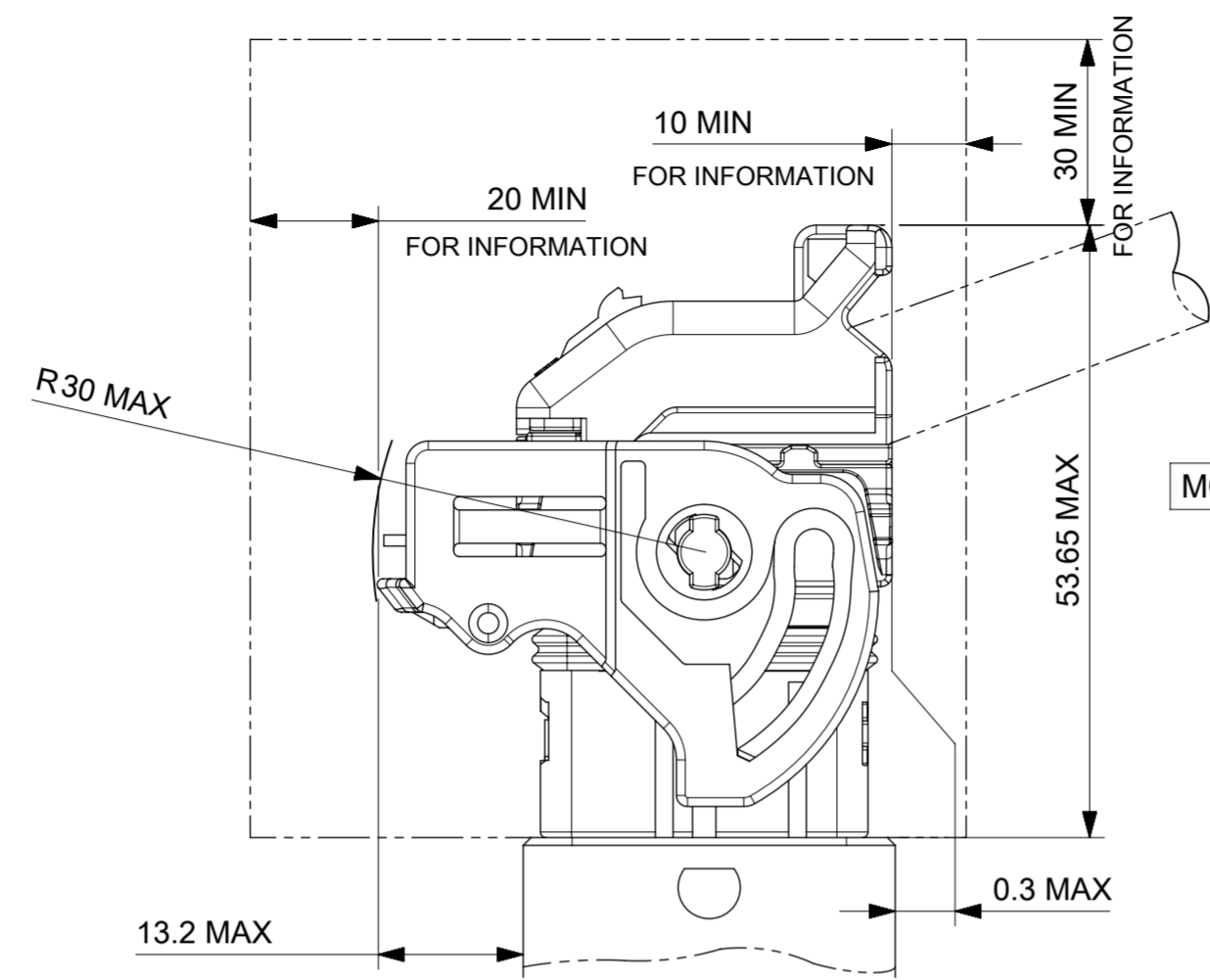
LAYOUT FOR TWO INTERFACES T3 (48W)



MULTI - HEADERS LAYOUT

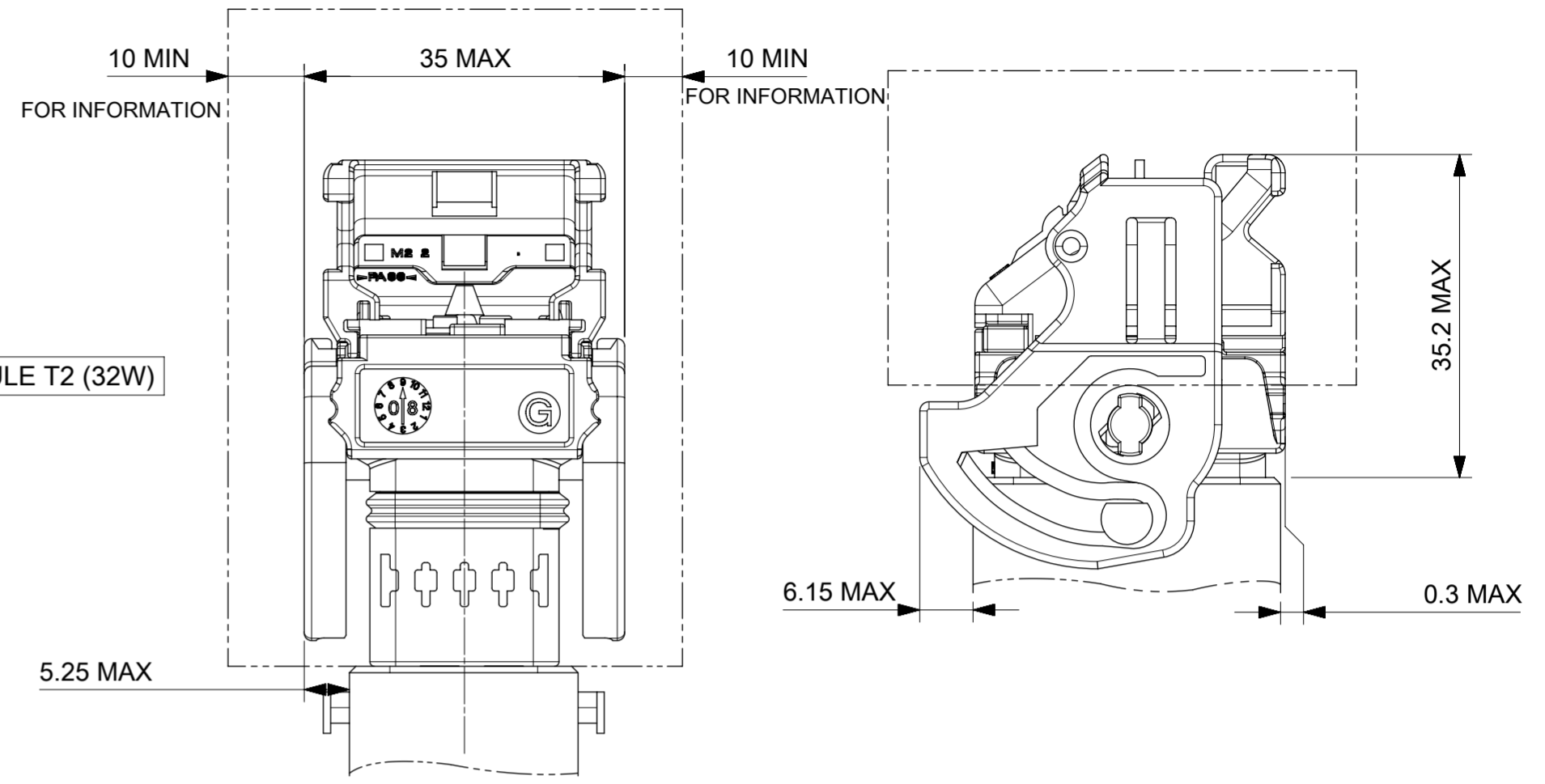
CONNECTOR ON HEADER - OVERALL DIMENSIONS

UNLOCKED CONNECTOR - OVERALL DIMENSIONS

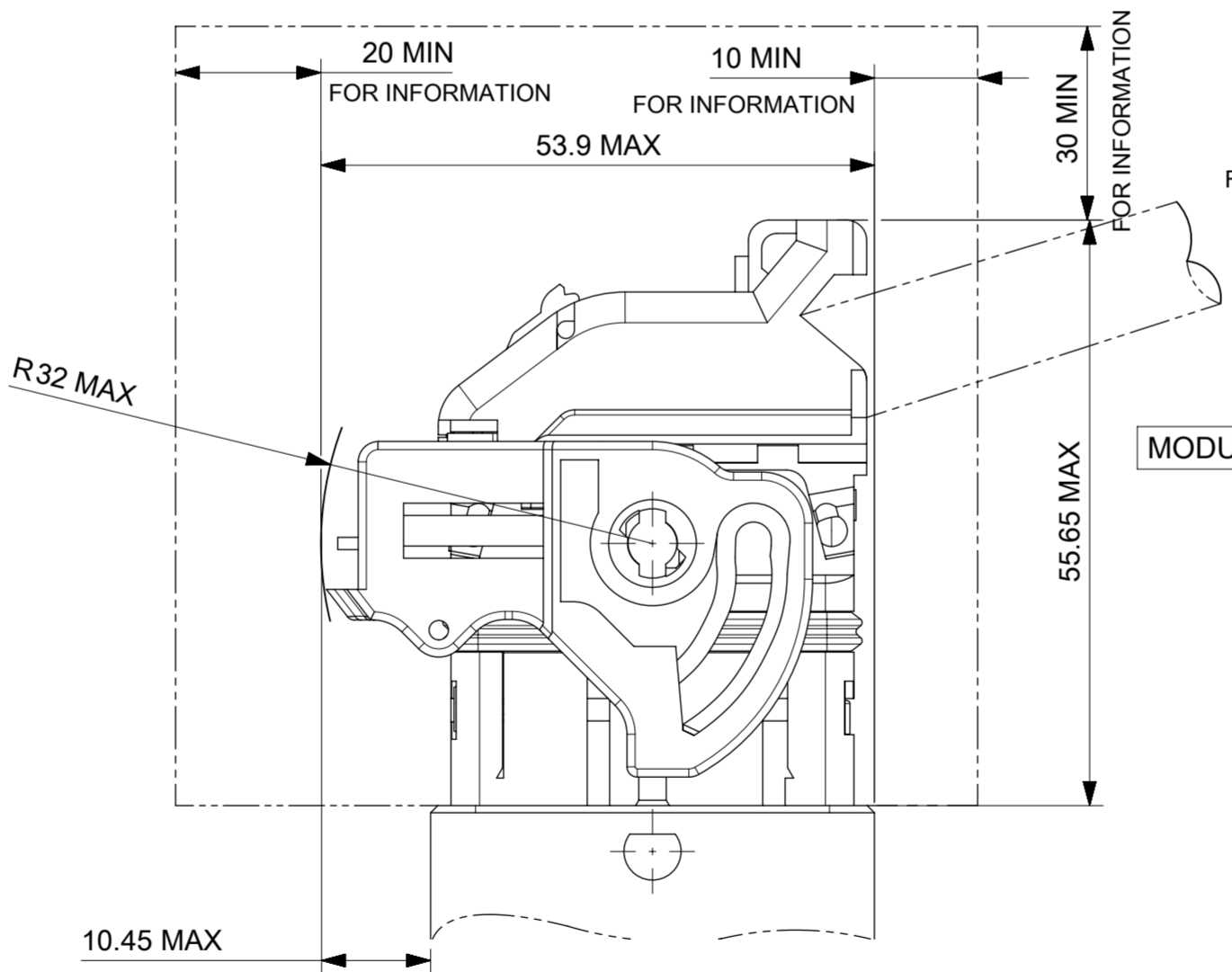


MODULE T2 (32W)

LOCKED CONNECTOR - OVERALL DIMENSIONS

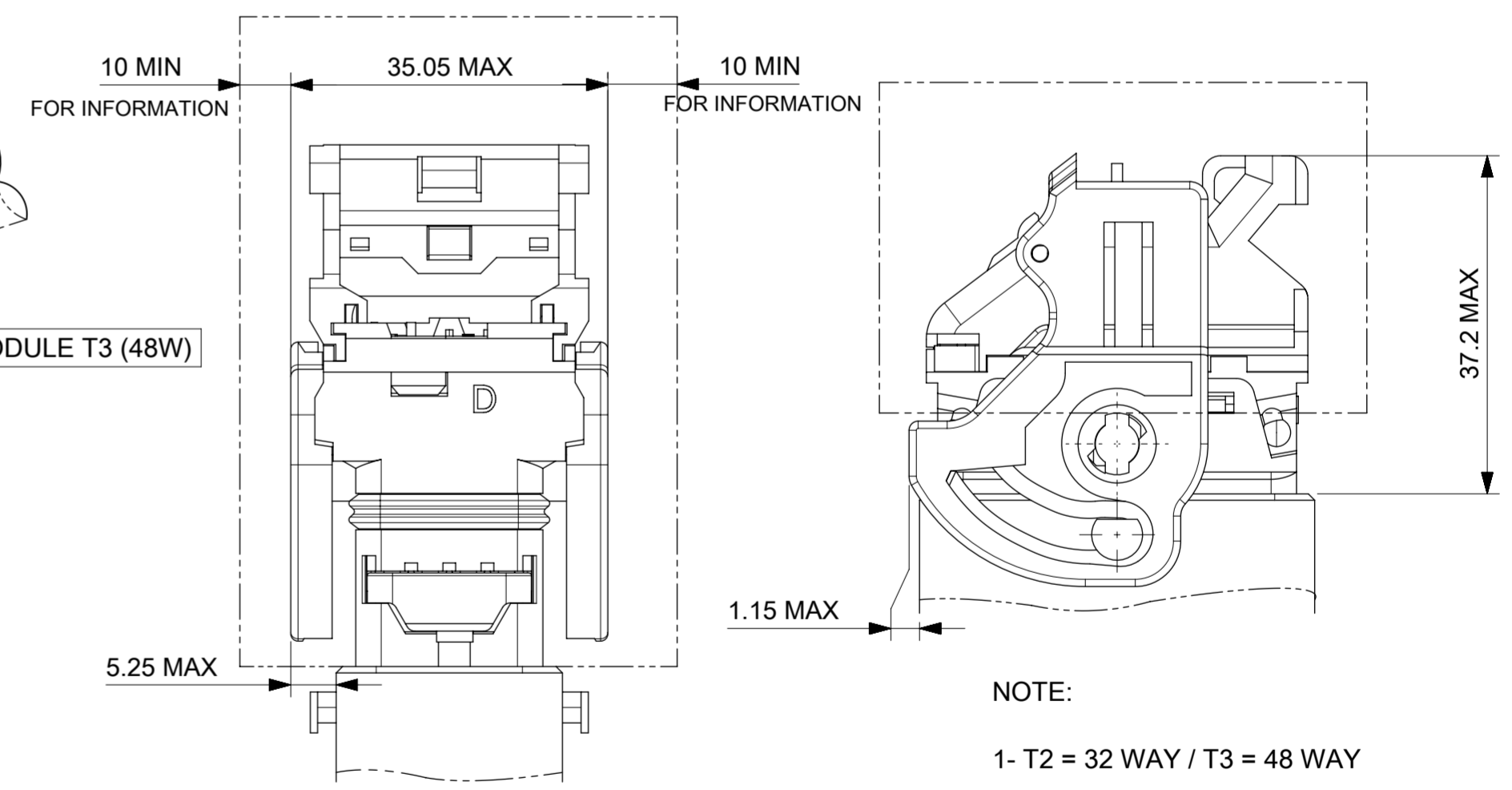


UNLOCKED CONNECTOR - OVERALL DIMENSIONS

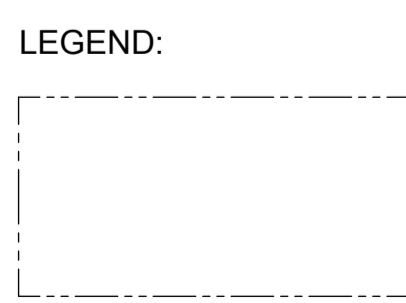


MODULE T3 (48W)

LOCKED CONNECTOR - OVERALL DIMENSIONS



NOTE:
1- T2 = 32 WAY / T3 = 48 WAY



FREE VOLUME FOR MANUAL LOCKING AND UNLOCKING
DIMENSIONS GIVEN FOR INFORMATION ONLY BE
CONFIRMED BASED UPON VEHICLE CONFIGURATION.

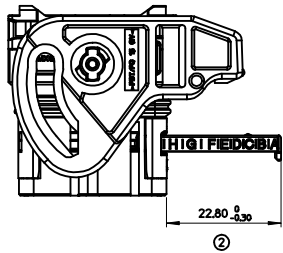
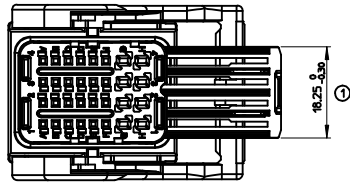
THIS DRAWING CONTAINS INFORMATION THAT IS PROPRIETARY TO MOLEX ELECTRONIC TECHNOLOGIES, LLC AND SHOULD NOT BE USED WITHOUT WRITTEN PERMISSION

DIMENSION UNITS	SCALE	CURRENT REV DESC: NX RE-MASTERING	
mm	1:1		
GENERAL TOLERANCES (UNLESS SPECIFIED)			
ANGULAR TOL	± 2.0°	EC NO:	603689
4 PLACES	± 0.1	DRWN:	SLAFAURE 2018/07/17
3 PLACES	± 0.1	CHK'D:	OPLESSIS 2018/08/31
2 PLACES	± 0.1	APPR:	SLAFAURE 2018/09/03
1 PLACE	± 0.1	INITIAL REVISION:	
0 PLACES	±	DRWN:	GDESBRUERES 2008/10/02
		APPR:	OPLESSIS 2008/10/06
DRAFT WHERE APPLICABLE MUST REMAIN WITHIN DIMENSIONS	FIRST ANGLE PROJECTION	DRAWING	SERIES
		A2-SIZE	98644

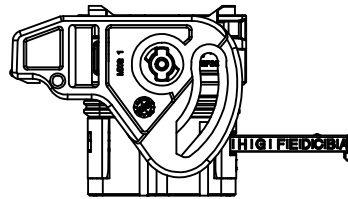
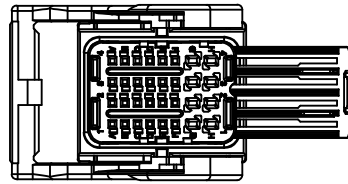
molex			
32 & 48CKT CMC INTERFACE			
PRODUCT CUSTOMER DRAWING			
DOCUMENT NUMBER	DOC TYPE	DOC PART	REVISION
SD-98644-006	PSD	001	B1
MATERIAL NUMBER	CUSTOMER	SHEET NUMBER	
N/A	GENERAL MARKET	3 OF 3	

ENCOMBREMENT PORTE-CLIPS D.V. POSITION MONTAGE CLIP
FEMALE MODULE LAYOUT SECONDARY LOCKING POSITION FOR CLIP ASSEMBLY

PORTE-CLIPS SORTIE DROITE
FEMALE MODULE RIGHT WIRE OUTPUT

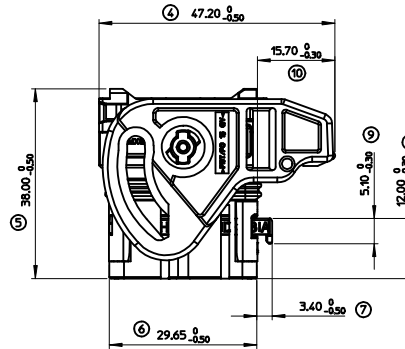
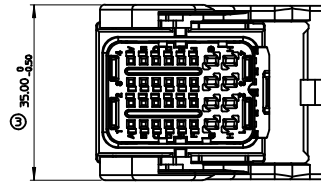


PORTE-CLIPS SORTIE GAUCHE
FEMALE MODULE LEFT WIRE OUTPUT

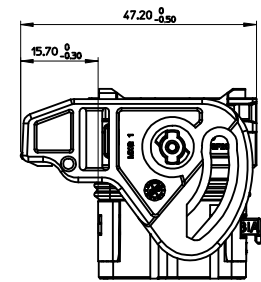
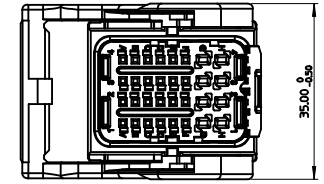


ENCOMBREMENT PORTE-CLIPS D.V. POSITION LIVRAISON
FEMALE MODULE LAYOUT SECONDARY LOCKING IN DELIVERY POSITION

PORTE-CLIPS SORTIE DROITE
FEMALE MODULE RIGHT WIRE OUTPUT

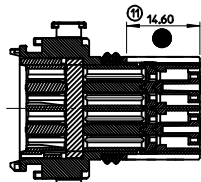
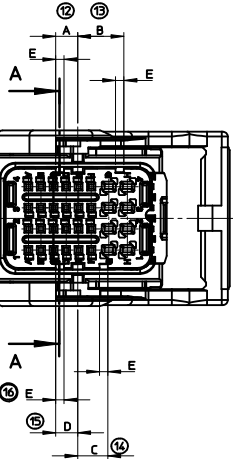


PORTE-CLIPS SORTIE GAUCHE
FEMALE MODULE LEFT WIRE OUTPUT



POSITION DES DETROMPAGE
CODING POSITION

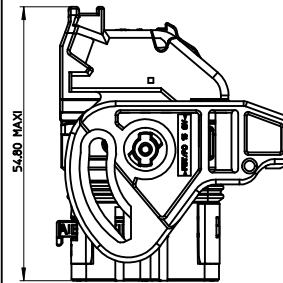
COULEUR/COLOUR	DETROMPAGE/CODING	A $+0.10$ 0	B $+0.10$ 0	C $+0.10$ 0	D $+0.10$ 0	E $+0.10$ 0
NOIR/BLACK	1	4.40	9.15	5.95	4.40	1.65
GRIS/GREY	2	5.95	7.60	9.15	5.95	1.65
MARRON/BROWN	3	7.60	5.95	9.15	9.15	1.65
VERT/GREEN	4	9.15	7.60	4.40	4.40	1.65
BLEU/BLUE	5	7.60	4.40	5.95	5.95	1.65



SECTION A-A
(LEVER NON REPRESENTÉ)
(LEVER NOT SHOWN)

<input checked="" type="checkbox"/>	INDICATION DIMENSIONS S.P.C DENOTES S.P.C DIMENSIONS
<input checked="" type="checkbox"/>	INDICATION DIMENSIONS CRITIQUES DENOTES CRITICAL DIMENSIONS
<input checked="" type="checkbox"/>	INDICATION DIMENSIONS FONCTIONNELLES DENOTES FUNCTIONAL DIMENSIONS
<input checked="" type="checkbox"/>	QUANTITE PAR FEUILLE INDIVIDUELLE QUANTITY PER INDIVIDUAL SHEET
<input checked="" type="checkbox"/>	0
<input checked="" type="checkbox"/>	1

ENCOMBREMENT HORS-TOUT
OVERALL DIMENSION



CONTACTS
FEMALE TERMINAL

REPERE ALVEOLES CAVITIES NUMBER	CONTACTS FEMALE TERMINAL	REF. MOLEX MOLEX P/N	DIAMETRE ISOLANT FIL MINI / MAXI MIN / MAX WIRE INSULATION DIAMETER
A1 à F1	CLIP 0,63 (0.35mm2 à 0.60mm2)	0986581211	Ø1.25 min / Ø1.90 max
A2 à F2		0986581213	
A3 à F3		0986581212	
A4 à F4		0986581212	
G1 à G4	CLIP 1.5 (0.5mm2 à 1mm2)	0989151029	Ø1.40 min / Ø2.15 max
H1 à H4		0989151039	

EC NO: G2009-0313 DRW: PGRANDL2009/06/18 CHKD: PDECHEL2009/06/18 APPR: CBOUCHANZ009/06/18	GENERAL TOLERANCES (UNLESS SPECIFIED)	SCALE 2:1	DESIGN UNITS METRIC	FIRST ANGLE PROJECTION	REVISE ON CAD ONLY
	4 PLACES ± --- ± ---	mm	DIMENSION STYLE MM ONLY	TITLE	PORTE-CLIPS 32 VOIES CMC FEMALE MODULE CMC 32 WAY SALES DRAWING
	3 PLACES ± --- ± ---	INCH	DRAWN BY PGR	DATE 99/12/12	
	2 PLACES ± 0.10 ± ---		CHECKED BY PDE	DATE 00/02/02	MATERIAL NO. SEE CHART
1 PLACE ± 0.15 ± ---		APPROVED BY CBO	DATE 00/02/02	SHEET NO. 2 OF 2	
ANGULAR ± 1 °		THIS DRAWING CONTAINS INFORMATION THAT IS PROPRIETARY TO MOLEX INCORPORATED AND SHOULD NOT BE USED WITHOUT WRITTEN PERMISSION			
DRAFT WHERE APPLICABLE MUST REMAIN WITHIN DIMENSIONS		A1			