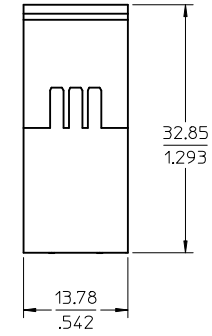
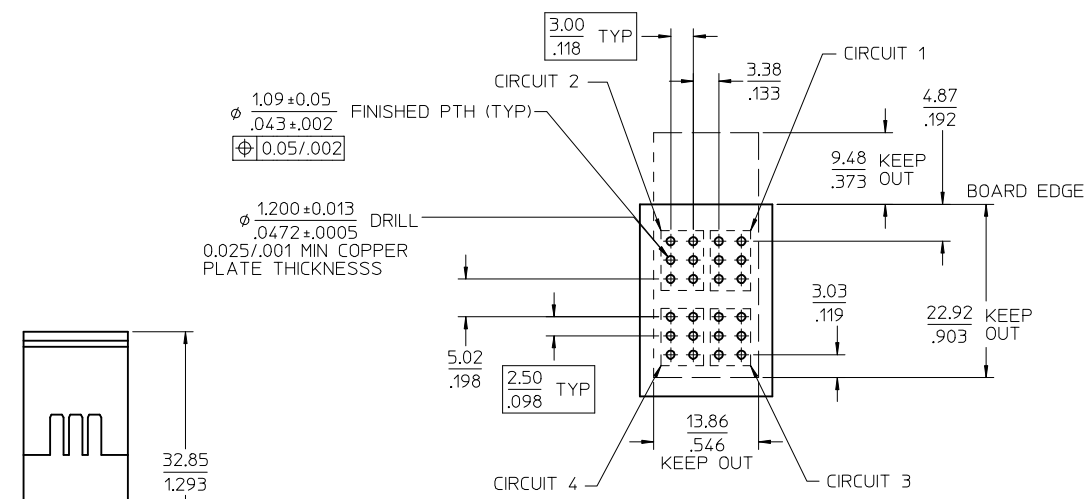
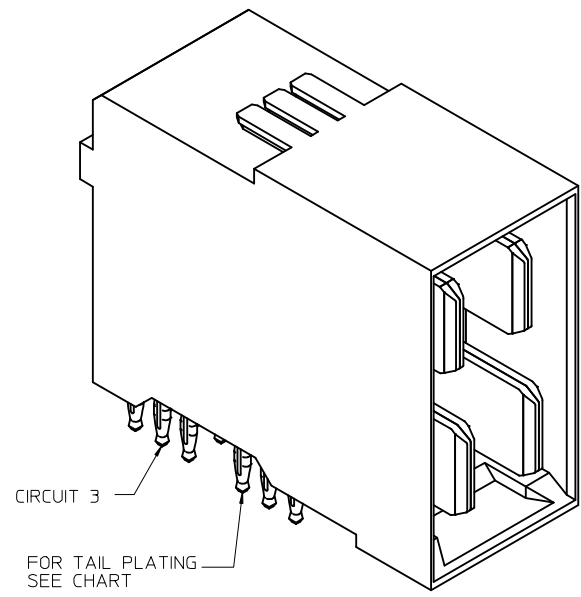
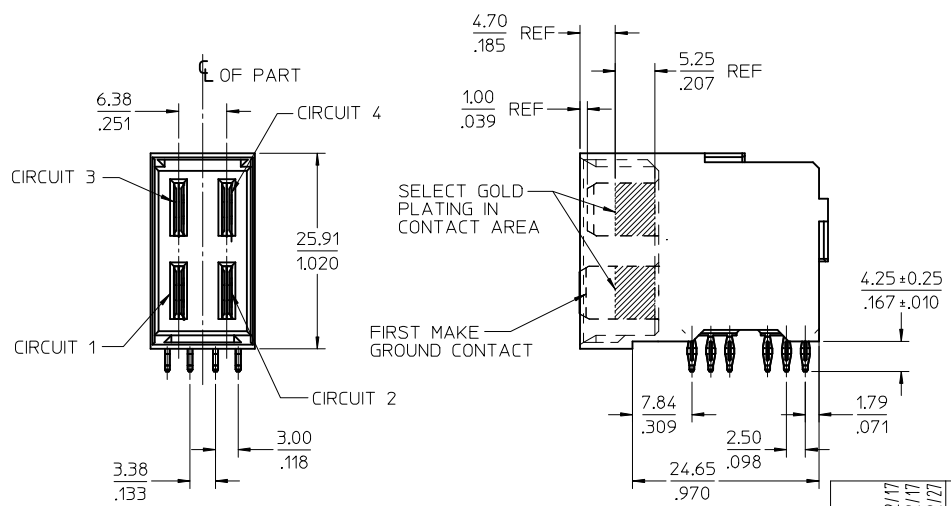


NOTES:

- MATERIALS:
  - HOUSING: 30% GLASS FILLED, LCP 94V-0, COLOR BLACK
  - TERMINALS: COPPER ALLOY
- PLATING:
  - 0.76 MICROMETER (30 MICROINCH) MINIMUM GOLD IN CONTACT AREA
  - SELECTIVE MATTE TIN ON PCB TAILS
  - NICKEL UNDERPLATE OVERALL
- PLUG MATES WITH RECEPTACLE ASSEMBLY 46079-10\*\*
- MODULE IS DESIGNED FOR PRESS FIT TO THE PCB
- MODULE ASSEMBLY IS RoHS COMPLIANT
- MODULES TO BE UL & CSA LISTED PER UL-1977
- AVERAGE INSERTION FORCE INTO PCB IS 8.2 kg/18 lbs PER TAIL
- PRODUCT PERFORMANCE AND RATING PER PS-75431-\*\*\*\*
- APPLICATION SPEC PER AS-75541-\*\*\*\*
- RECOMMENDED PCB DRILL HOLE DIA 1.180/0465 (#56 DRILL)
- FOR MODULE CONFIGURATION SEE DRAWING SD-75541-001



**PCB LAYOUT**  
**2.40/.094 MIN THICK**

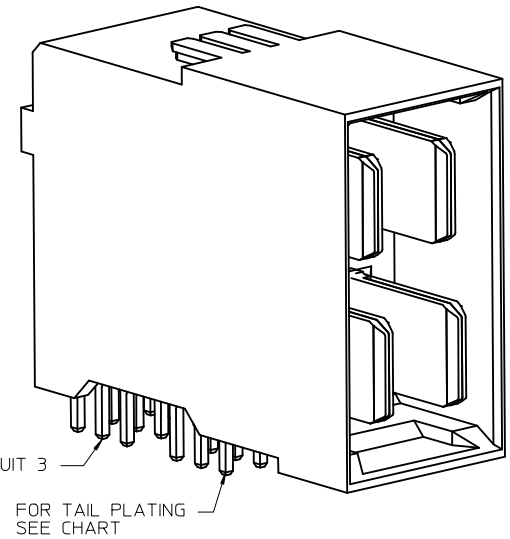
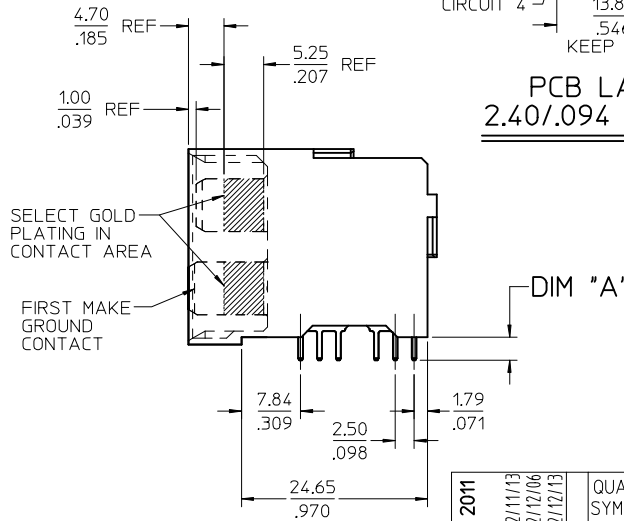
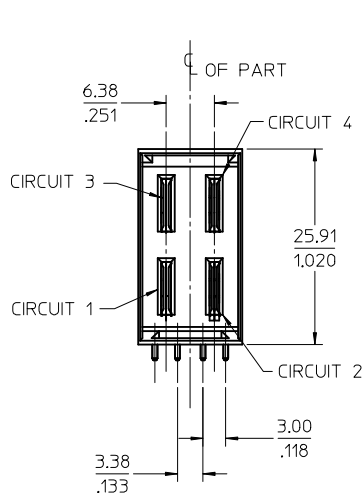
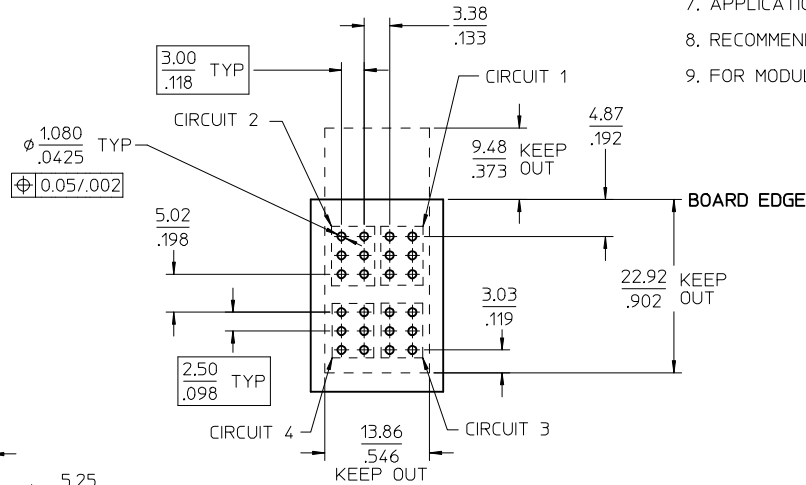
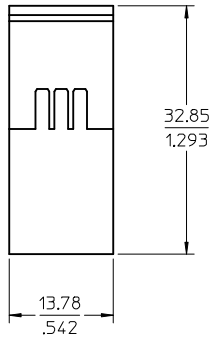


|   |   |  |   |                              |                        |                        |
|---|---|--|---|------------------------------|------------------------|------------------------|
| UPDATE PER ISIR<br>EC NO: 2015/02/17<br>DRWN: JQUILES<br>CHKD: MBANDURA<br>APPR: APATEL<br>2015/02/17<br>2015/02/17<br>2015/02/17 | QUALITY SYMBOLS<br>∇=0<br>∇=0<br>∇=0  | GENERAL TOLERANCES (UNLESS SPECIFIED)<br>mm INCH<br>4 PLACES ± --- ± ---<br>3 PLACES ± --- ± .008<br>2 PLACES ± 0.20 ± .013<br>1 PLACE ± 0.33 ± ---<br>0 PLACE ± ± | DIMENSION STYLE<br>MM/IN<br>DRAWN BY DATE<br>JQUILES 2005/08/01<br>CHECKED BY DATE<br>MDATA 2005/08/04<br>APPROVED BY DATE<br>APATEL 2005/08/05 | SCALE<br>2:1                 | DESIGN UNITS<br>METRIC | THIRD ANGLE PROJECTION |
|   | ANGULAR ±1/2°   | DRAFT WHERE APPLICABLE MUST REMAIN WITHIN DIMENSIONS   | MATERIAL NO.<br>46081-1000  | DOCUMENT NO.<br>SD-46081-100 | SHEET NO.<br>1 OF 1    |                        |
|   | <b>ASSEMBLY - PLUG</b><br><b>4 CIRCUIT - PRESS FIT</b><br><b>MULTI PATH</b><br>   |  |   |                              |                        |                        |
|   | THIS DRAWING CONTAINS INFORMATION THAT IS PROPRIETARY TO MOLEX INCORPORATED AND SHOULD NOT BE USED WITHOUT WRITTEN PERMISSION |  |   |                              |                        |                        |

| PART NUMBER | DIM "A"   |
|-------------|-----------|
| 46081-2000  | 3.07/.121 |
| 46081-2010  | 3.81/.150 |

NOTES:

- MATERIALS:
  - HOUSING: 30% GLASS FILLED, LCP 94V-0, COLOR BLACK
  - TERMINALS: COPPER ALLOY
- PLATING:
  - 0.76 MICROMETER (30 MICROINCH) MINIMUM GOLD IN CONTACT AREA
  - SELECTIVE MATTE TIN ON PCB TAILS
  - NICKEL UNDERPLATE OVERALL
- PLUG MATES WITH RECEPTACLE ASSEMBLY 46079-10\*\*
- MODULE IS DESIGNED FOR PC TAILS TO THE PCB
- MODULE ASSEMBLY IS RoHS COMPLIANT
- MODULES TO BE UL & CSA LISTED PER UL-1977
- PRODUCT PERFORMANCE AND RATING PER PS-75431-\*\*\*\*
- APPLICATION SPEC PER AS-75541-\*\*\*\*
- RECOMMENDED PCB DRILL HOLE DIA 1.180/0465 (#56 DRILL)
- FOR MODULE CONFIGURATION SEE DRAWING SD-75541-001



|   |                                      |                                       |                       |  |                      |   |                        |                    |                      |                    |                       |                    |                           |                              |                     |
|---|--------------------------------------|---------------------------------------|-----------------------|--|----------------------|---|------------------------|--------------------|----------------------|--------------------|-----------------------|--------------------|---------------------------|------------------------------|---------------------|
| REM 46081-2001 & 2011<br>IEC NO: 2012/11/13<br>DRWN:BBARKER<br>CHKD:MBANDURA<br>APPR:APATEL<br>2012/12/06<br>2012/12/13 | QUALITY SYMBOLS<br>▽=0<br>▽=0<br>▽=0 | GENERAL TOLERANCES (UNLESS SPECIFIED) |                       | DIMENSION STYLE<br>MM/IN                             | SCALE<br>2:1         | DESIGN UNITS<br>METRIC  | THIRD ANGLE PROJECTION |                    |                      |                    |                       |                    |                           |                              |                     |
|   |                                      | 4 PLACES ± --- ± ---                  | 3 PLACES ± --- ± .005 | 2 PLACES ± 0.13 ± .010                               | 1 PLACE ± 0.25 ± --- | 0 PLACE ± ±   | DRAWN BY<br>MDATA      | DATE<br>2005/12/14 | CHECKED BY<br>APATEL | DATE<br>2005/12/15 | APPROVED BY<br>APATEL | DATE<br>2005/12/20 | MATERIAL NO.<br>SEE CHART | DOCUMENT NO.<br>SD-46081-200 | SHEET NO.<br>1 OF 1 |
|   |                                      | ANGULAR ±1/2°                         |                       | DRAFT WHERE APPLICABLE MUST REMAIN WITHIN DIMENSIONS |                      | THIS DRAWING CONTAINS INFORMATION THAT IS PROPRIETARY TO MOLEX INCORPORATED AND SHOULD NOT BE USED WITHOUT WRITTEN PERMISSION |                        |                    |                      |                    |                       |                    |                           |                              |                     |
|   |                                      | DIMENSIONS                            |                       | DIMENSIONS   |                      | DIMENSIONS  |                        | DIMENSIONS         |                      |                    |                       |                    |                           |                              |                     |