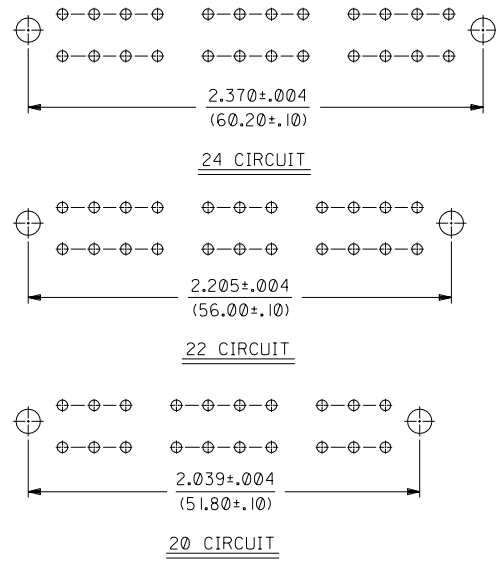
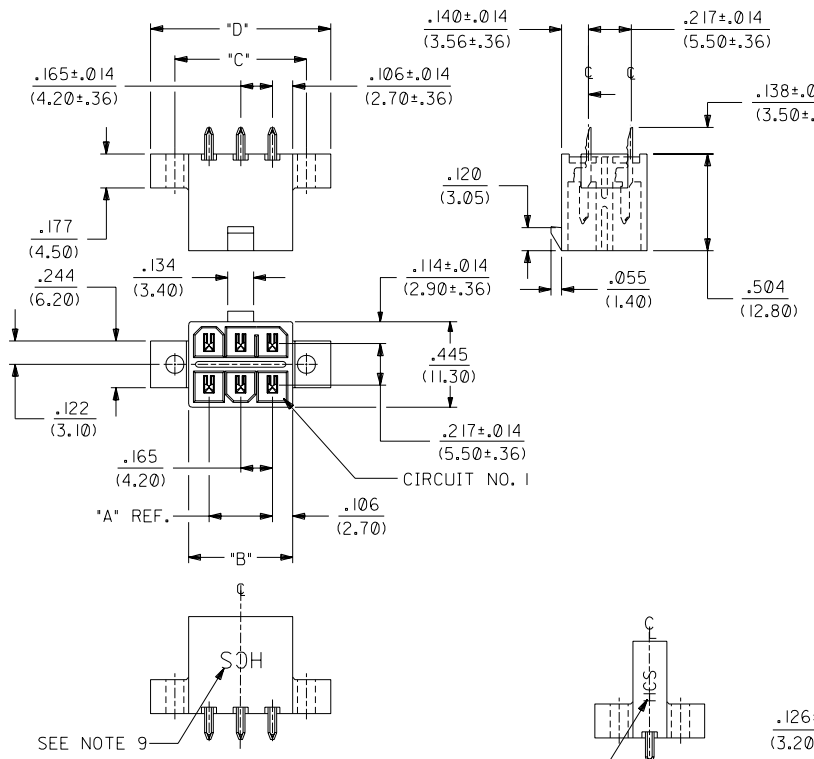


FLANGE MOUNT  
(SEE SHT. 2 FOR PARTS WITH PEGS)



LETTER DIMENSIONS FOR ASSEMBLIES WITH FLANGES				
CKT. SIZE	DIM. "A"	DIM. "B"	DIM. "C"	DIM. "D"
2	—	.213 (5.40)	.354 (9.00)	.606 (15.40)
4	.165 (4.20)	.378 (9.60)	.520 (13.20)	.772 (19.60)
6	.331 (8.40)	.543 (13.80)	.685 (17.40)	.937 (23.80)
8	.496 (12.60)	.709 (18.00)	.850 (21.60)	1.102 (28.00)
10	.661 (16.80)	.874 (22.20)	1.016 (25.80)	1.268 (32.20)
12	.827 (21.00)	1.039 (26.40)	1.181 (30.00)	1.433 (36.40)
14	.992 (25.20)	1.205 (30.60)	1.346 (34.20)	1.598 (40.60)
16	1.157 (29.40)	1.370 (34.80)	1.512 (38.40)	1.764 (44.80)
18	1.520 (38.60)	1.732 (44.00)	1.874 (47.60)	2.126 (54.00)
20	1.685 (42.80)	1.898 (48.20)	2.039 (51.80)	2.291 (58.20)
22	1.850 (47.00)	2.063 (52.40)	2.205 (56.00)	2.457 (62.40)
24	2.016 (51.20)	2.228 (56.60)	2.370 (60.20)	2.622 (66.60)

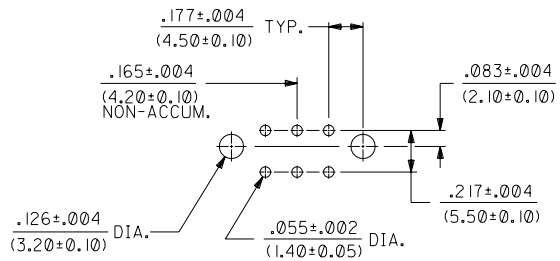


(SHOWN WITHOUT DRAIN HOLES)

"HCS" ORIENTATION ON 2 CKT. PARTS

NOTES:

- HOUSING MAT'L.: POLYESTER, UNFILLED, 94V-0. COLOR: BLACK.
- TERMINAL MATERIAL: C197 ALLOY.
- PART MATES WITH RECEPTACLE 30067-\*
- PRODUCT SPECIFICATION AND PROCESSING PARAMETERS: SEE PS-44476-0003.
- PART IS DESIGNED FOR USE WITH #4-40 OR M3 SELF TAPPING SCREW.
- PLATINGS:  
 \* I = .000100/(.00254) MIN. BRIGHT TIN OVER  
 .000050/(.00127) MIN. NICKEL.  
 \* THE PRIMARY SHIPPING CARTON WILL BE LABELED "COMPLIANT TO RoHS DIRECTIVE 2002/95/EC AND ELV ANNEX II OF DIRECTIVE 2000/53/EC". CARTONS WITHOUT THIS LABEL MAY CONTAIN PRODUCT WITH TIN-LEAD PLATING.
- CONNECTOR ASSEMBLIES ARE NOT TO BE MATED OR UNMATED WHILE CIRCUITS ARE LIVE.
- ITEM NUMBERS PRECEDED BY AN "X" IN THE CHARTS ON SHEET 3 ARE NOT AVAILABLE.
- PARTS PRODUCED AFTER JULY 1, 2004 WILL HAVE "HCS" MARKING INSTEAD OF BLACK STRIPE.



RECOMMENDED HOLE LAYOUT FOR  
.070/(1.78) MAX. THICK P.C. BOARD

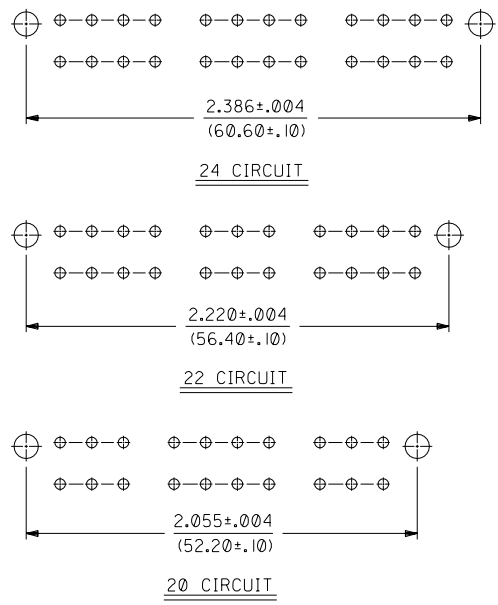
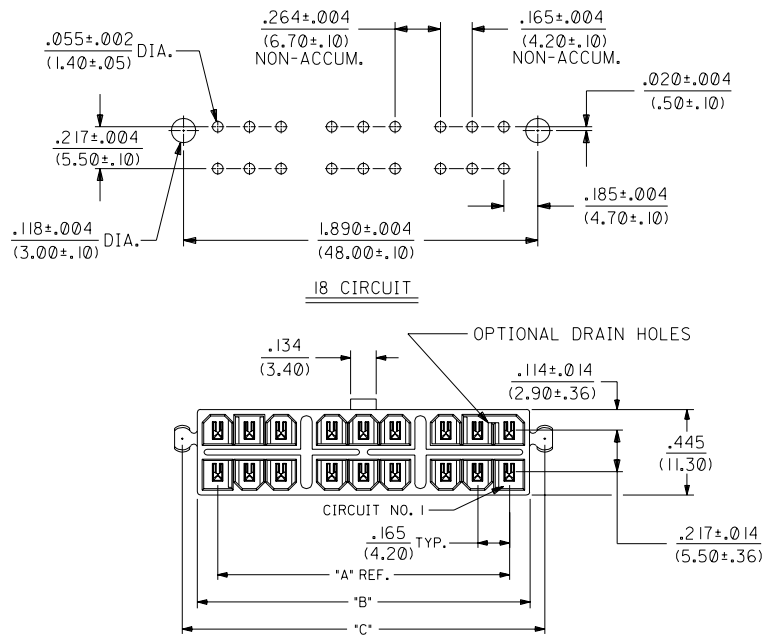
C	REMOVED TIN-LEAD UCP2004-2049 SLINEHAN 04-04-19
B	ADD "HCS" UCP2004-1149 SLINEHAN 03-12-17
A	REL. DRAWING ECN #151235 95-06-26 A.GUZZIK
	*X REL. PER ECN U40840 GEP 8-12-94

DIMENSIONS SHOWN (METRIC) INCH UNLESS OTHERWISE SPECIFIED TOLERANCES: ANGULAR ± 1/2°		▽ = 0 ▽ = 0 REVISE ONLY ON CAD SYSTEM	
3 PLAGE ± .010	---	TITLE T.P.A. VERT. HDR. ASS'Y. WITH & W/O DRAIN HOLES, FLANGES & PEGS, MINI-FIT H.C.S. SERIES	
2 PLAGE ± .014	± 0.25	MFG. SH. REV. LTR. REVISIONS	
1 PLAGE ---	± 0.36	3 A	
DRAFT WHERE APPLICABLE MUST REMAIN WITHIN DIMENSIONS		2 C	
PART NO. SDA-44473-1		1 C	
DRWG. NO. SDA-44473-***		DATE 8/12/94	
DRWG. BY GEP	CHK'D. BY RJF	FILE NAME 544473X1.DGN	
APP'D. BY RJF	SCALE 2:1	THIS DRAWING CONTAINS INFORMATION THAT IS PROPRIETARY TO MOLEX INC. AND SHOULD NOT BE USED WITHOUT WRITTEN PERMISSION	

44473

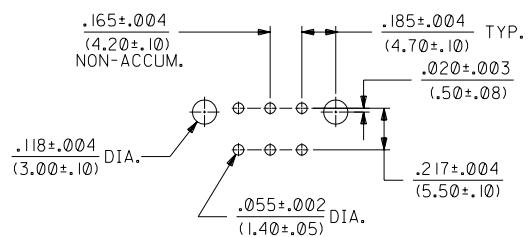
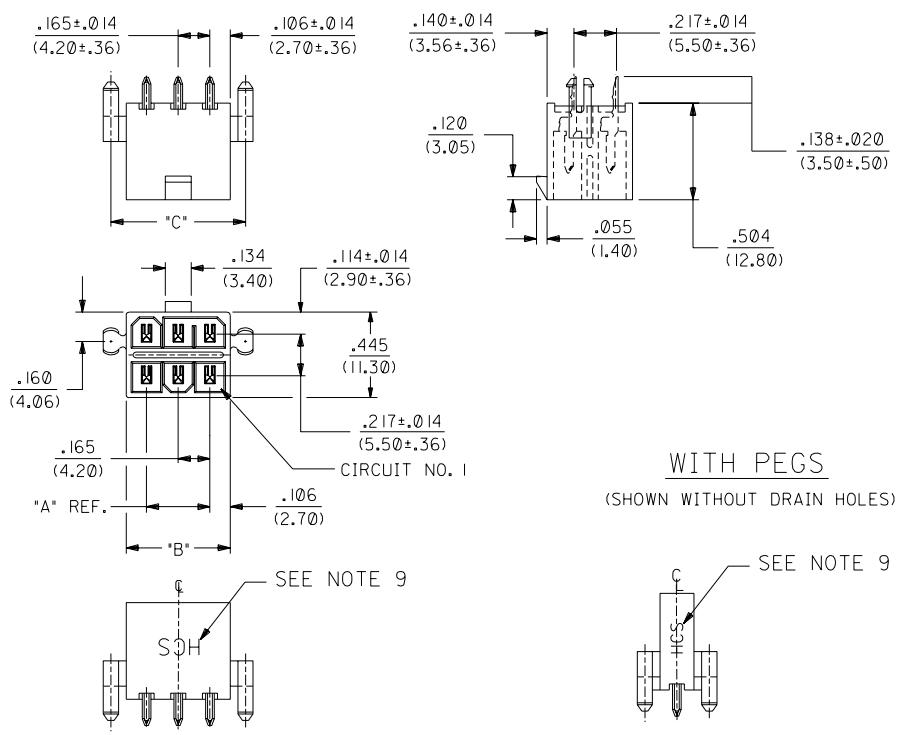
B

A



LETTER DIMENSIONS FOR ASSEMBLIES WITH PEGS

CKT. SIZE	DIM. "A"	DIM. "B"	DIM. "C"
2	—	.213 (5.40)	.370 (9.40)
4	.165 (4.20)	.378 (9.60)	.535 (13.60)
6	.331 (8.40)	.543 (13.80)	.701 (17.80)
8	.496 (12.60)	.709 (18.00)	.866 (22.00)
10	.661 (16.80)	.874 (22.20)	1.031 (26.20)
12	.827 (21.00)	1.039 (26.40)	1.197 (30.40)
14	.992 (25.20)	1.205 (30.60)	1.362 (34.60)
16	1.157 (29.40)	1.370 (34.80)	1.528 (38.80)
18	1.520 (38.60)	1.732 (44.00)	1.890 (48.00)
20	1.685 (42.80)	1.898 (48.20)	2.055 (52.20)
22	1.850 (47.00)	2.063 (52.40)	2.220 (56.40)
24	2.016 (51.20)	2.228 (56.60)	2.386 (60.60)



**LEGEND**

44473 - \*\* \*\*

BASE NO. \_\_\_\_\_

CKT. SIZE (02-24) \_\_\_\_\_

HOUSING OPTIONS:

- 1 = FLANGES, NO DRAIN HOLES
- 2 = FLANGES, DRAIN HOLES
- 3 = PEGS, NO DRAIN HOLES
- 4 = PEGS, DRAIN HOLES

PLATING: \_\_\_\_\_

1 = TIN OVER NICKEL

"HCS" ORIENTATION ON 2 CKT. PARTS

C	SEE SHT. 1
B	SEE SHT. 1
A	SEE SHT. 1
I	SEE SHT. 1

DIMENSIONS SHOWN (METRIC) INCH		▽ = 0	▼ = 0	REVISE ONLY ON CAD SYSTEM
UNLESS OTHERWISE SPECIFIED TOLERANCES: ANGULAR ± 1/2°				
INCH		METRIC		
5 PLACE ± .010	---	---		
2 PLACE ± .014	± 0.25	---		
1 PLACE ---	± 0.36	---		
DRAFT WHERE APPLICABLE MUST REMAIN WITHIN DIMENSIONS		PART NO. _____		
DRWG. NO. _____		DATE _____		
DRWG. BY: GEP		DRWG. NO. SDA-44473-****		
CHK'D. BY: RJF		FILE NAME: S44473X2.DGN		
APP'D. BY: RJF		SCALE: 2: 1		
DIV. _____		THIS DRAWING CONTAINS INFORMATION THAT IS PROPRIETARY TO MOLEX INC. AND SHOULD NOT BE USED WITHOUT WRITTEN PERMISSION.		
SIZE _____		CP   C		

13			12			11			10			9			8			7			6			44473			4			3			2			1		
WITH FLANGES, NO DRAIN HOLES						WITH PEGS, NO DRAIN HOLES																																
CKT. SIZE	ITEM NO.	PLATING SEE NOTE 6	CKT. SIZE	ITEM NO.	PLATING SEE NOTE 6	CKT. SIZE	ITEM NO.	PLATING SEE NOTE 6	CKT. SIZE	ITEM NO.	PLATING SEE NOTE 6	CKT. SIZE	ITEM NO.	PLATING SEE NOTE 6	CKT. SIZE	ITEM NO.	PLATING SEE NOTE 6	CKT. SIZE	ITEM NO.	PLATING SEE NOTE 6	CKT. SIZE	ITEM NO.	PLATING SEE NOTE 6	CKT. SIZE	ITEM NO.	PLATING SEE NOTE 6	CKT. SIZE	ITEM NO.	PLATING SEE NOTE 6									
J	2	44473-0211	I	2	X 44473-0231	I	2		2			2			2			2			2			2			2											
	4	44473-0411	↑	4	X 44473-0431	↑	4		4			4			4			4			4			4			4											
I	6	44473-0611		6	44473-0631		6		6			6			6			6			6			6			6											
	8	44473-0811		8	X 44473-0831		8		8			8			8			8			8			8			8											
	10	44473-1011		10	X 44473-1031		10		10			10			10			10			10			10			10											
H	12	44473-1211		12	X 44473-1231		12		12			12			12			12			12			12			12											
	14	X 44473-1411		14	X 44473-1431		14		14			14			14			14			14			14			14											
	16	44473-1611		16	X 44473-1631		16		16			16			16			16			16			16			16											
	18	X 44473-1811		18	X 44473-1831		18		18			18			18			18			18			18			18											
G	20	X 44473-2011		20	X 44473-2031		20		20			20			20			20			20			20			20											
	22	X 44473-2211	↓	22	X 44473-2231	↓	22		22			22			22			22			22			22			22											
	24	X 44473-2411	I	24	X 44473-2431	I	24		24			24			24			24			24			24			24											
WITH FLANGES, DRAIN HOLES						WITH PEGS, DRAIN HOLES																																
CKT. SIZE	ITEM NO.	PLATING SEE NOTE 6	CKT. SIZE	ITEM NO.	PLATING SEE NOTE 6	CKT. SIZE	ITEM NO.	PLATING SEE NOTE 6	CKT. SIZE	ITEM NO.	PLATING SEE NOTE 6	CKT. SIZE	ITEM NO.	PLATING SEE NOTE 6	CKT. SIZE	ITEM NO.	PLATING SEE NOTE 6	CKT. SIZE	ITEM NO.	PLATING SEE NOTE 6	CKT. SIZE	ITEM NO.	PLATING SEE NOTE 6	CKT. SIZE	ITEM NO.	PLATING SEE NOTE 6	CKT. SIZE	ITEM NO.	PLATING SEE NOTE 6									
E	2	X 44473-0221	I	2	X 44473-0241	I	2		2			2			2			2			2			2			2											
	4	44473-0421	↑	4	X 44473-0441	↑	4		4			4			4			4			4			4			4											
	6	44473-0621		6	44473-0641		6		6			6			6			6			6			6			6											
	8	44473-0821		8	X 44473-0841		8		8			8			8			8			8			8			8											
D	10	44473-1021		10	X 44473-1041		10		10			10			10			10			10			10			10											
	12	44473-1221		12	X 44473-1241		12		12			12			12			12			12			12			12											
	14	X 44473-1421		14	X 44473-1441		14		14			14			14			14			14			14			14											
C	16	44473-1621		16	X 44473-1641		16		16			16			16			16			16			16			16											
	18	X 44473-1821		18	X 44473-1841		18		18			18			18			18			18			18			18											
	20	X 44473-2021		20	X 44473-2041		20		20			20			20			20			20			20			20											
B	22	X 44473-2221	↓	22	X 44473-2241	↓	22		22			22			22			22			22			22			22											
	24	X 44473-2421	I	24	X 44473-2441	I	24		24			24			24			24			24			24			24											

REVISIONS ONLY ON CAD SYSTEM

UNLESS OTHERWISE SPECIFIED TOLERANCES ANGULAR .01° .125°

INCH	METRIC
3 PLACE ± ---	---
2 PLACE ± ---	---
1 PLACE ---	---

DRAFT WHERE APPLICABLE MUST REMAIN WITHIN DIMENSIONS

DRWG. BY: GEP	CHK'D. BY: RJF
APP'D. BY: RJF	SCALE: --:--

FILE NAME: S44473X3.DGN

TITLE: T.P.A. VERT. HDR. ASS'Y. WITH & W/O DRAIN HOLES, FLANGES & PEGS, MINI-FIT H.C.S. SERIES

PART NO. SEE CHARTS SDA-44473-\*\*\*\*

MOLEX INCORPORATED U.S.A. SHEET NO. 3 DATE 8/15/94

THIS DRAWING CONTAINS INFORMATION THAT IS PROPRIETARY TO MOLEX INC. AND SHOULD NOT BE USED WITHOUT WRITTEN PERMISSION

44473

A