

Product Change Notice (PCN)

Date: 02/25/2022

PCN Number: PCN-0452215R-01

To Our Customers:

We appreciate your use of our products. Our commitment in maintaining and improving processes is demonstrated by plans to enhance our product quality, reliability, and manufacturability. The purpose of this notice is to inform you of a product change.

Product(s) Affected: SDF-40J, SDF-50J, SDF-60J, SDF-80J, SDF-130J

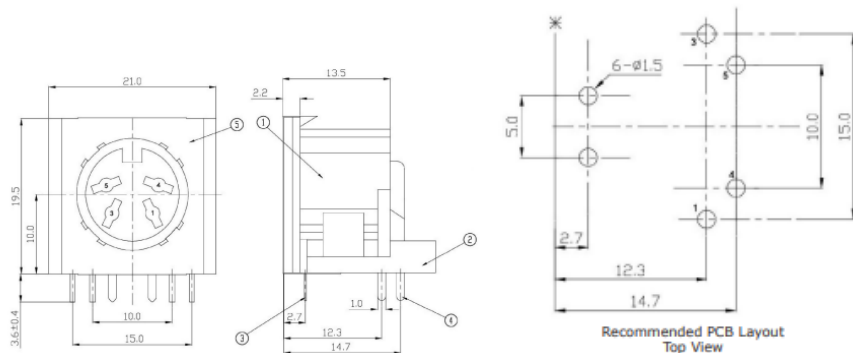
Reason(s) for Change: New factory location and tooling. To enhance product reliability and production consistency.

Functionality: Changes are within specified tolerances.

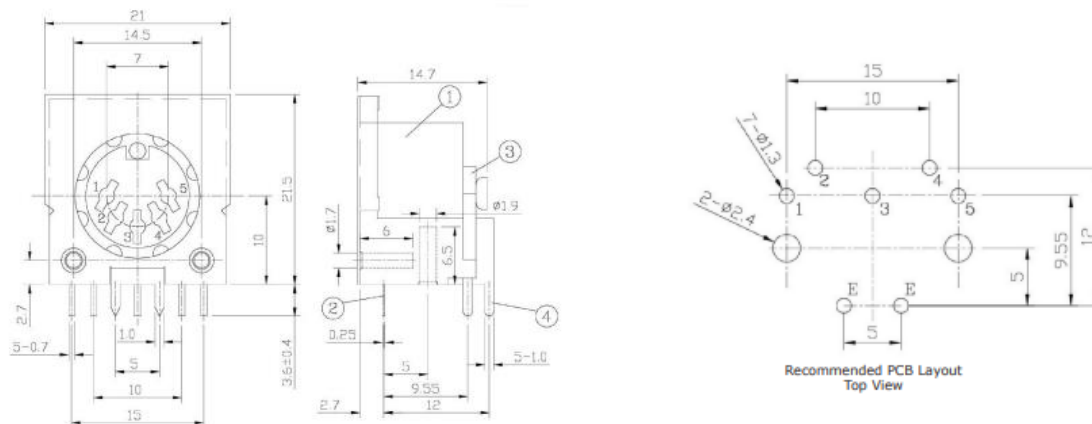
Description of Change: Small dimensional changes, shown in the drawing below

OLD

SDF-40J



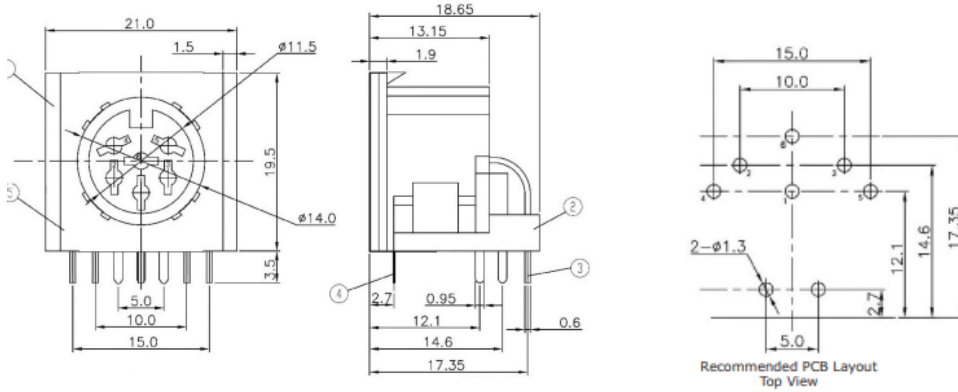
SDF-50J



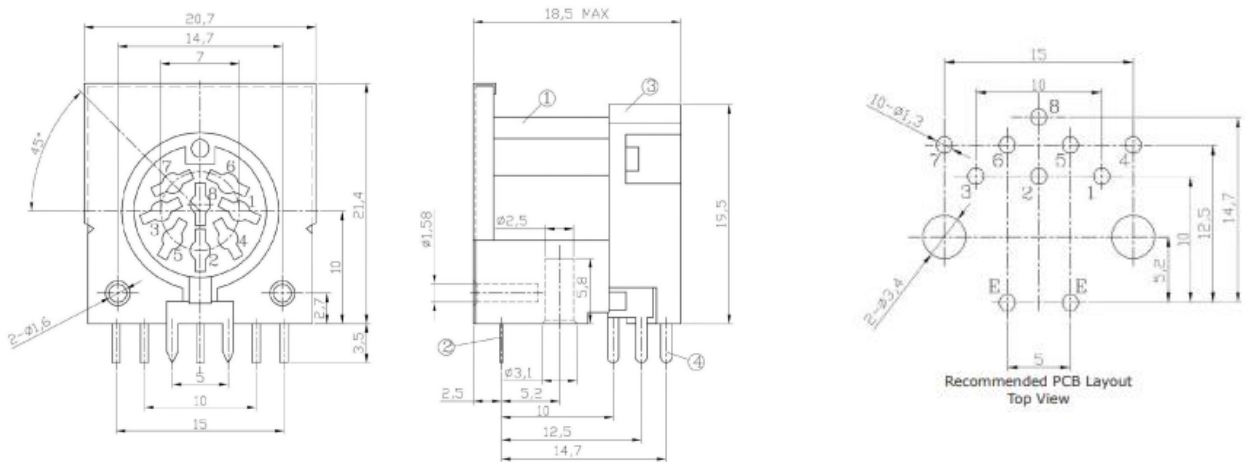
CUI DEVICES

6405 SW Rosewood St, Ste C
Lake Oswego, OR 97035

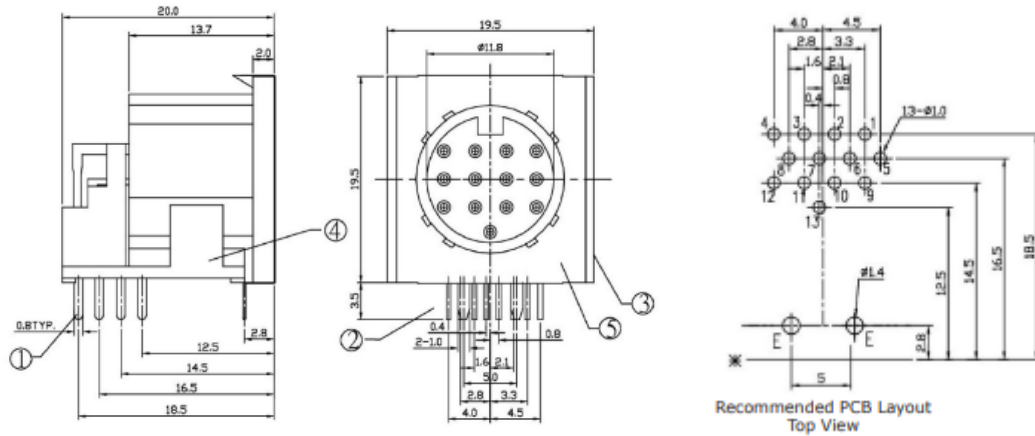
SDF-60J



SDF-80J



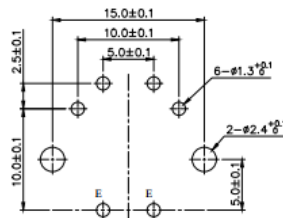
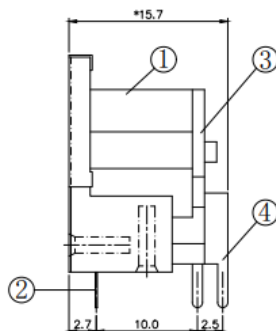
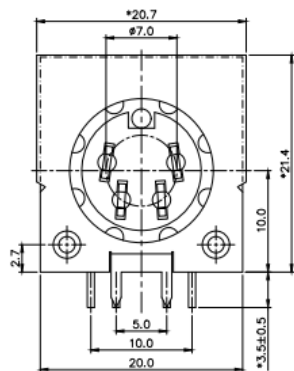
SDF-130J



CUI DEVICES

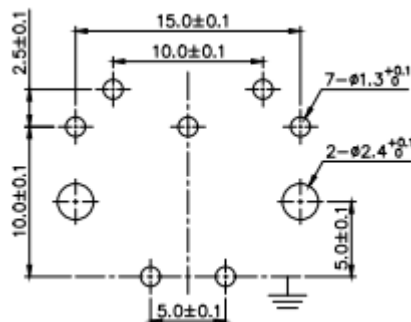
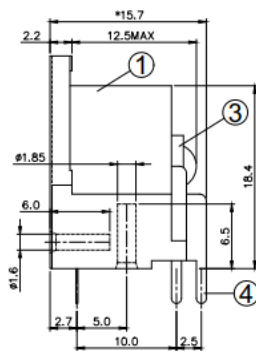
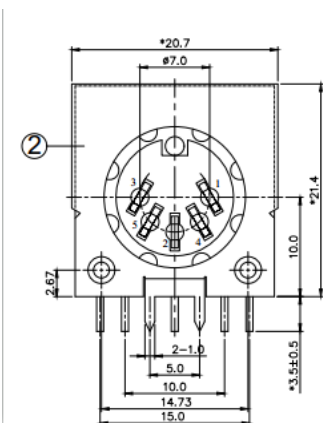
6405 SW Rosewood St, Ste C
Lake Oswego, OR 97035

NEW SDF-40J

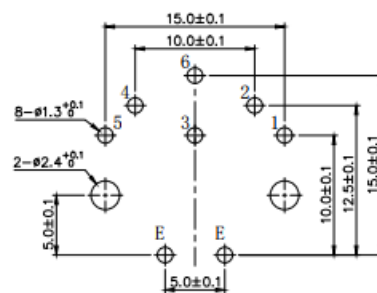
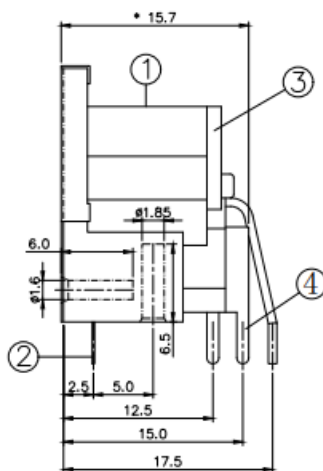
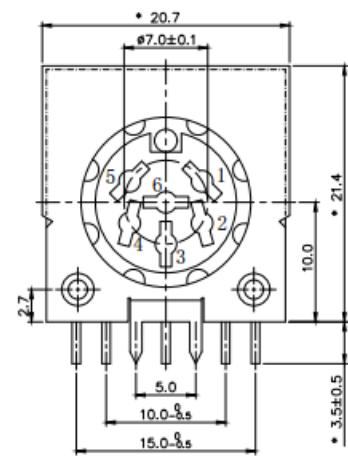


PCB LAYOUT
(TOP VIEW)

SDF-50J

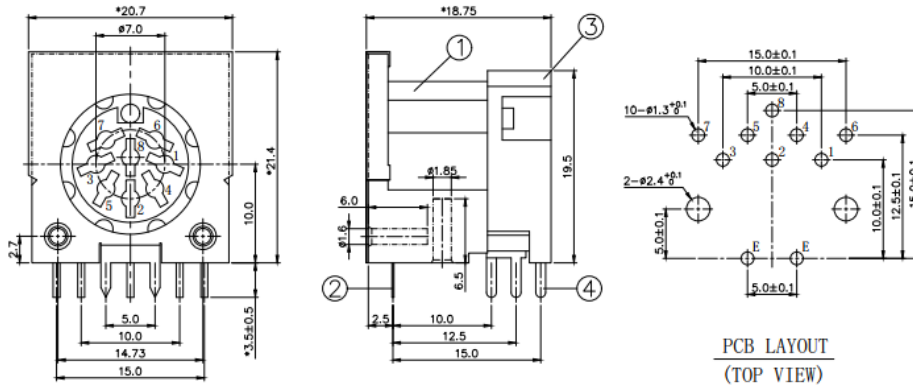


SDF-60J

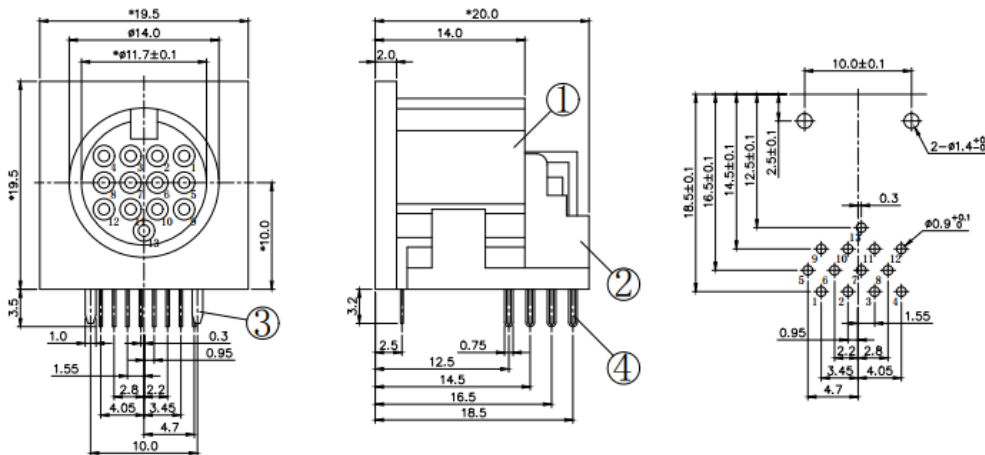


PCB LAYOUT
(TOP VIEW)

SDF-80J



SDF-130J



Affected Date Code: 03/25/2022
Product Availability: pertaining to market availability

PCN Approval:

Operations/Quality

R. Adams

Product Management

[Signature]