

REVISION HISTORY			
REV	DESCRIPTION	DATE	APPROVED



(26)



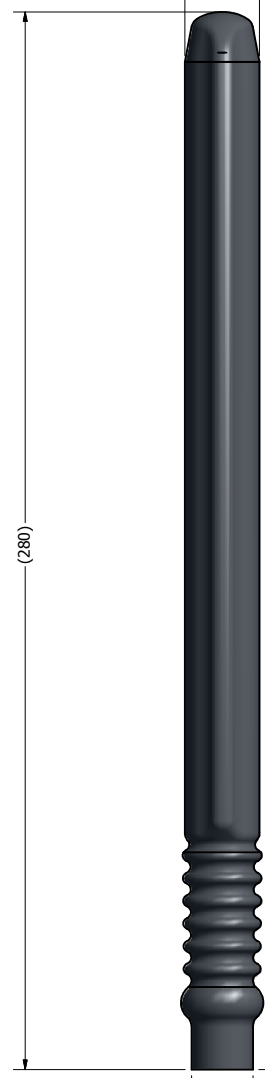
RADOME AND CAP MATERIAL:
TEXIN 950

ANTENNA FLEX
AREA



TNC-MALE
CONNECTOR

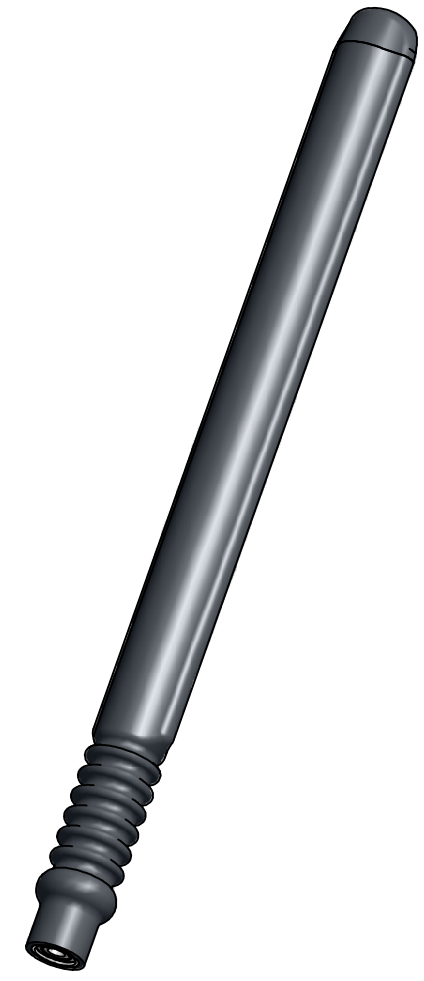
Ø(20)



(280)

(63)

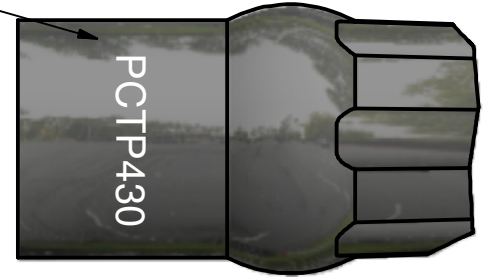
Ø(16)



SUPPLIER PRINT ACCEPTANCE: <input type="checkbox"/> Accept drawing/specification: No changes needed: <input type="checkbox"/> This part is RoHS compliant <input type="checkbox"/> This part is REACH compliant <input type="checkbox"/> Accept drawing/specification. Notes/Mark-ups added <input type="checkbox"/> Cannot accept drawing/spec. Notes/Mark-ups added Supplier Projected Outgoing Quality: SIGMA LEVEL: _____ or PPM: _____ Signature: _____ Date: _____	UNLESS OTHERWISE SPECIFIED DIMENSIONS ARE IN MILLIMETERS FOR TOLERANCES NOT SPECIFIED USE: <small>(X mm ± 0.3 mm) (X.X mm ± 0.25 mm) (X.XX mm ± 0.13 mm)</small> ANGULAR ± 1°		DRAWN: MP DATE: 8/19/2014 CHECKED: _____ DATE: _____	 PCTEL, INC. ANTENNA PRODUCTS 471 BRIGHTON DRIVE BLOOMINGDALE, IL 60108 PH. 630-372-8900 FAX. 630-372-8077	
	THIRD ANGLE PROJECTION 		APPROVED: _____ DATE: _____		
	PROPRIETARY DATA THE INFORMATION CONTAINED IN THIS DOCUMENT IS OF A PROPRIETARY NATURE AND MAY NOT BE USED OR REPRODUCED WITHOUT THE EXPRESSED WRITTEN PERMISSION OF PCTEL INC., BLOOMINGDALE, IL 60108		MATERIAL: SEE COMPONENT PRINTS FINISH: SEE COMPONENT PRINTS		DESCRIPTION: 4G TRACTOR ANTENNA, ODD DRAWING NO.: PCTP-4GLTE_ODD
			SIZE: C SCALE: 1:1 SHEET: 1 OF 1		

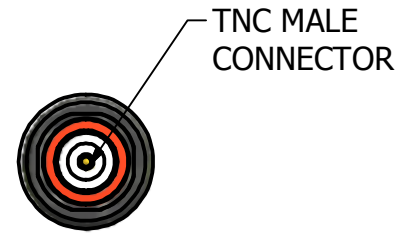
REVISIONS			
REV	DESCRIPTION	DRAWN/APPROVED/DATE	LOC
1	INITIAL RELEASE	MP/04-05-11	

PART # MARK LOCATION,
INK PRINTED, COLOR WHITE,
FONT: HELVETICA, 2.5 mm HIGH

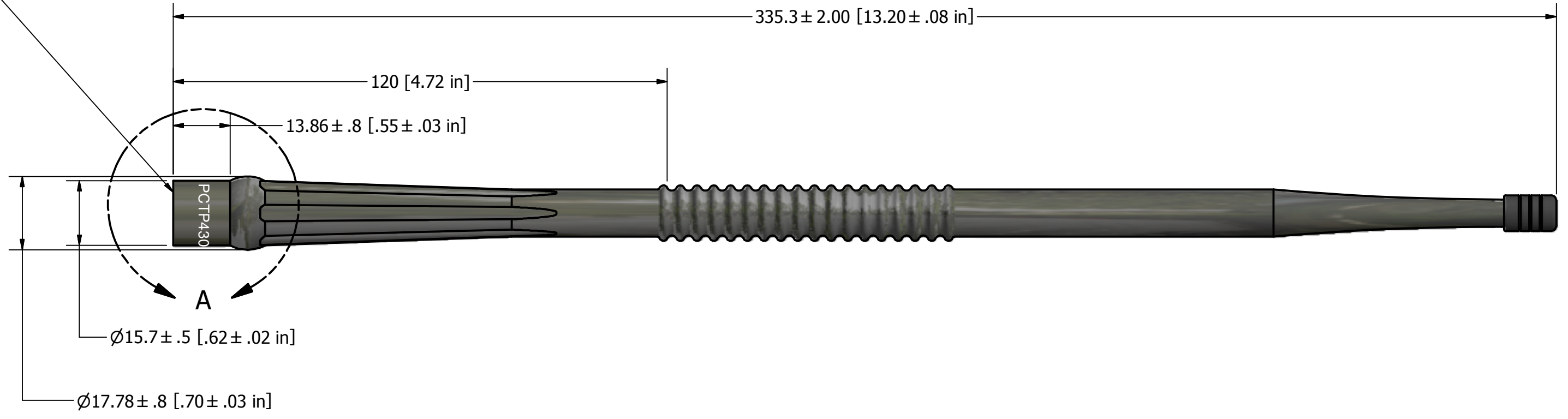


DETAIL A
SCALE 2:1

Edge of connector should be flush
or inside of radome
Maximum overlap accepted - 0.38 mm [0.015"]



TNC MALE
CONNECTOR

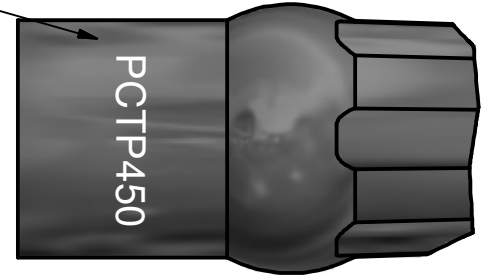


- NOTES:
1. RADOME MATERIAL: TPE, COLOR BLACK, UV STABLE
 2. ANTENNA FREQUENCY RANGE: 430-450 MHz
 3. IMPEDENCE 50 ohms
 4. TERMINATION: TNC PLUG.
 5. PULL TEST: 80-120 lb
 6. INSTALLATION TORQUE: 0.67 N-M

<small>UNLESS OTHERWISE SPECIFIED DIMENSIONS ARE IN INCHES (DIMENSIONS ARE IN mm)</small> <small>FOR TOLERANCES NOT SPECIFIED USE: X.X in ± .1 in, X.XX in ± .01 in, X.XXX in ± .005 in (X mm ± .3 mm), (X.X mm ± .3 mm), (X.XX mm ± .13 mm) ANGULARS: 2°, FRACTIONAL ± 1/64</small>	<small>DRAWN</small> MP <small>DATE</small> 4/5/2011	<p>PCTEL, INC. BROADBAND TECHNOLOGY GROUP ANTENNA PRODUCTS 471 BRIGHTON DRIVE BLOOMINGDALE, IL 60108 PH. 630-372-6800 FAX. 630-372-8077</p>
	<small>CHECKED</small> <small>DATE</small>	
<small>THIRD ANGLE PROJECTION</small> 	<small>APPROVED</small> <small>DATE</small>	<small>DESCRIPTION</small> PCTP430, 430-450 MHz ANTENNA, OUTLINE DIMENSIONAL DRAWING
<small>PCTEL CONFIDENTIAL PROPRIETARY THE INFORMATION CONTAINED IN THIS DOCUMENT IS PCTEL CONFIDENTIAL. IT MAY NOT BE USED OR REPRODUCED WITHOUT THE EXPRESS WRITTEN PERMISSION OF PCTEL, INC.</small>	<small>MATERIAL:</small> SEE NOTES <small>FINISH:</small>	<small>DRAWING NO.</small> ODD-PCTP430
	<small>SIZE</small> C <small>SCALE</small> FULL <small>SHEET</small> 1 OF 1	

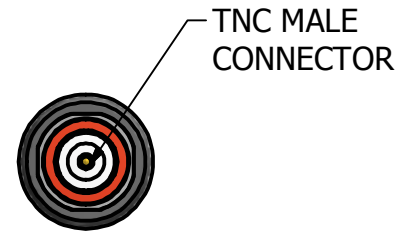
REVISIONS			
REV	DESCRIPTION	DRAWN/APPROVED/DATE	LOC

PART # MARK LOCATION,
INK PRINTED, COLOR WHITE,
FONT: HELVETICA, 2.5 mm HIGH

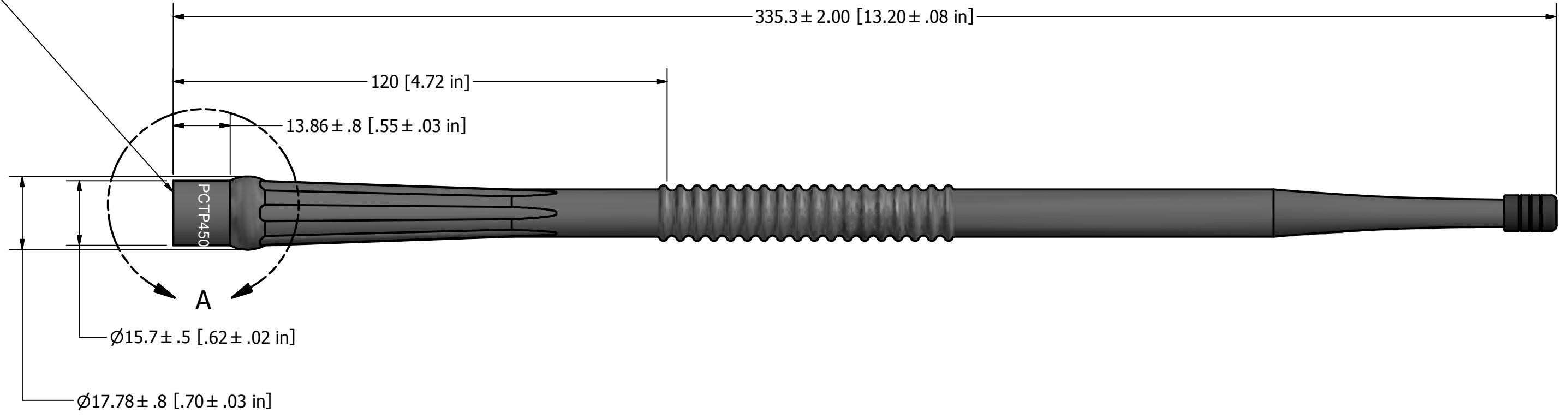


DETAIL A
SCALE 2:1

Edge of connector should be flush
or inside of radome
Maximum overlap accepted - 0.38 mm [0.015"]



TNC MALE
CONNECTOR

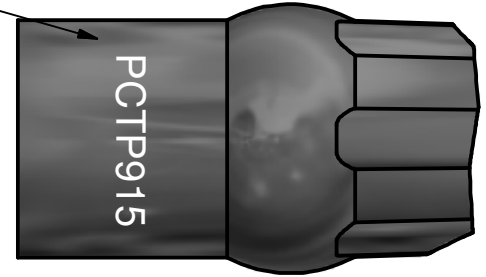


- NOTES:
1. RADOME MATERIAL: TPE, COLOR BLACK, UV STABLE
 2. ANTENNA FREQUENCY RANGE: 450-470 MHz
 3. IMPEDENCE 50 ohms
 4. TERMINATION: TNC PLUG.
 5. PULL TEST: 100 lbs MIN.
 6. INSTALLATION TORQUE: 0.67 N-M

<small>UNLESS OTHERWISE SPECIFIED DIMENSIONS ARE IN INCHES (DIMENSIONS ARE IN mm)</small> <small>FOR TOLERANCES NOT SPECIFIED USE: X.X in ± .1 in, X.XX in ± .01 in, X.XXX in ± .005 in (X mm ± 3 mm), (X.X mm ± .3 mm), (X.XX mm ± .13 mm) ANGULARS: 2°, FRACTIONAL ± 1/64</small>	<small>DRAWN</small> MP <small>DATE</small> 4/5/2011	<p>PCTEL, INC. BROADBAND TECHNOLOGY GROUP ANTENNA PRODUCTS 471 BRIGHTON DRIVE BLOOMINGDALE, IL 60108 PH. 630-372-6800 FAX. 630-372-8077</p>
	<small>CHECKED</small> _____ <small>DATE</small> _____	
<small>THIRD ANGLE PROJECTION</small> 	<small>APPROVED</small> _____ <small>DATE</small> _____	<small>DRAWING NO.</small> ODD-PCTP450
<small>PCTEL CONFIDENTIAL PROPRIETARY THE INFORMATION CONTAINED IN THIS DOCUMENT IS PCTEL CONFIDENTIAL. IT MAY NOT BE USED OR REPRODUCED WITHOUT THE EXPRESS WRITTEN PERMISSION OF PCTEL, INC.</small>	<small>MATERIAL:</small> SEE NOTES <small>FINISH:</small> _____	<small>SIZE</small> C <small>SCALE</small> FULL <small>SHEET</small> 1 OF 1

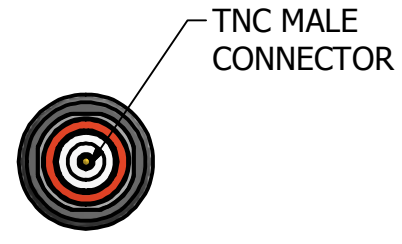
REVISIONS			
REV	DESCRIPTION	DRAWN/APPROVED/DATE	LOC
A	RELEASE TO PRODUCTION	MP/03-13-12	

PART # MARK LOCATION,
INK PRINTED, COLOR WHITE,
FONT: HELVETICA, 2.5 mm HIGH

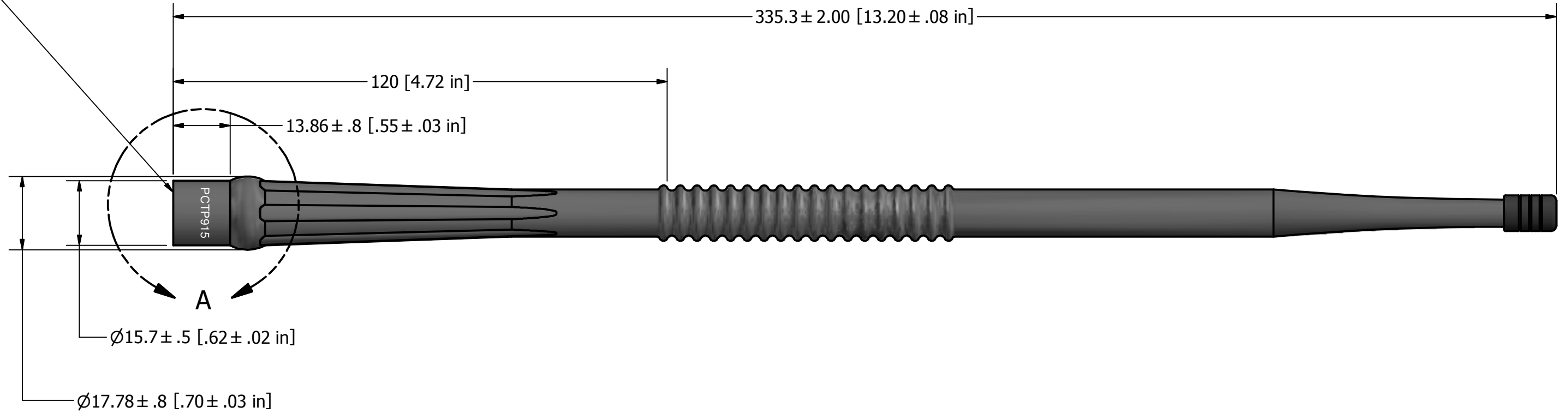


DETAIL A
SCALE 2:1

Edge of connector should be flush
or inside of radome
Maximum overlap accepted - 0.38 mm [0.015"]



TNC MALE
CONNECTOR

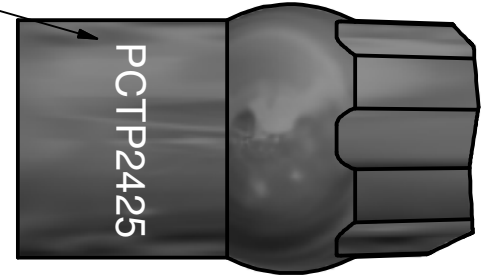


- NOTES:
1. RADOME MATERIAL: TEXIN 950, COLOR BLACK, UV STABLE
 2. ANTENNA FREQUENCY RANGE: 902 - 928 MHz
 3. IMPEDENCE 50 ohms
 4. TERMINATION: TNC PLUG.
 5. PULL TEST: 100 lbs MIN.
 6. INSTALLATION TORQUE: 0.67 N-M

<small>UNLESS OTHERWISE SPECIFIED DIMENSIONS ARE IN INCHES (DIMENSIONS ARE IN mm)</small> <small>FOR TOLERANCES NOT SPECIFIED USE: X.X in ± .1 in, X.XX in ± .01 in, X.XXX in ± .005 in (X mm ± .3 mm), (X.X mm ± .3 mm), (X.XX mm ± .13 mm)</small> <small>ANGULARS: 2°, FRACTIONAL ± 1/64</small>	<small>DRAWN</small> MP <small>DATE</small> 3/13/2012	 <small>PCTEL, INC. BROADBAND TECHNOLOGY GROUP ANTENNA PRODUCTS 471 BRIGHTON DRIVE BLOOMINGDALE, IL 60108 PH. 630-372-6800 FAX. 630-372-8077</small>
	<small>CHECKED</small> <small>DATE</small>	
<small>THIRD ANGLE PROJECTION</small> 	<small>APPROVED</small> <small>DATE</small>	<small>DRAWING NO.</small> ODD-PCTP915
<small>PCTEL CONFIDENTIAL PROPRIETARY THE INFORMATION CONTAINED IN THIS DOCUMENT IS PCTEL CONFIDENTIAL. IT MAY NOT BE USED OR REPRODUCED WITHOUT THE EXPRESS WRITTEN PERMISSION OF PCTEL, INC.</small>	<small>MATERIAL:</small> SEE NOTES	<small>SIZE</small> C <small>SCALE</small> FULL <small>SHEET</small> 1 OF 1

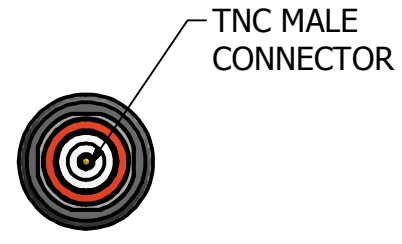
REVISIONS			
REV	DESCRIPTION	DRAWN/APPROVED/DATE	LOC
A	RELEASE TO PRODUCTION	MP/03-13-12	

PART # MARK LOCATION,
INK PRINTED, COLOR WHITE,
FONT: HELVETICA, 2.5 mm HIGH

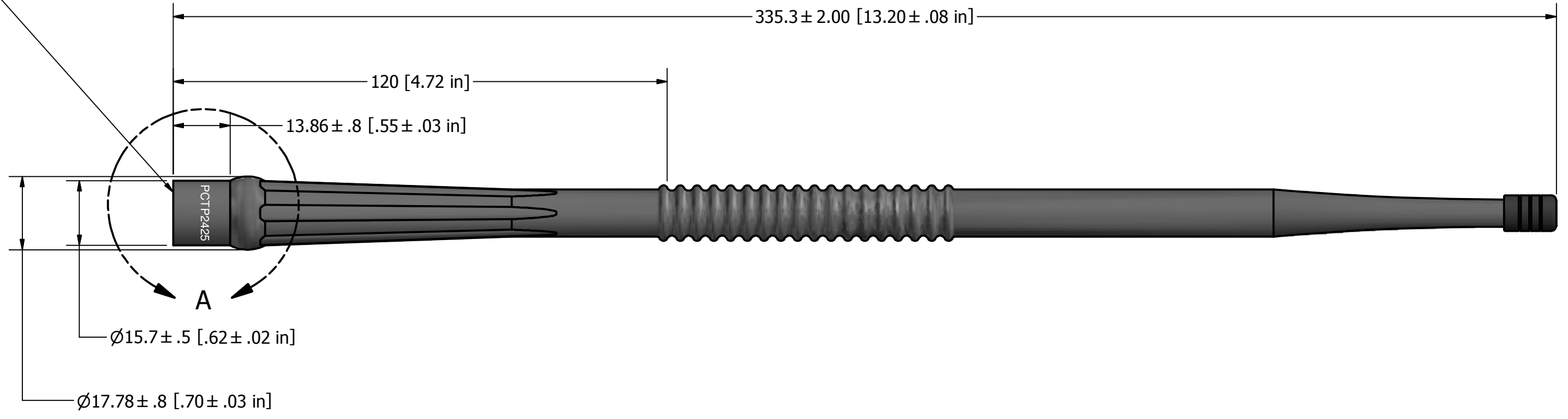


DETAIL A
SCALE 2:1

Edge of connector should be flush
or inside of radome
Maximum overlap accepted - 0.38 mm [0.015"]



TNC MALE
CONNECTOR



- NOTES:
1. RADOME MATERIAL: TEXIN 950, COLOR BLACK, UV STABLE
 2. ANTENNA FREQUENCY RANGE: 2.4 - 2.5 GHz
 3. IMPEDENCE 50 ohms
 4. TERMINATION: TNC PLUG.
 5. PULL TEST: 100 lbs MIN.
 6. INSTALLATION TORQUE: 0.67 N-M

<small>UNLESS OTHERWISE SPECIFIED DIMENSIONS ARE IN INCHES (DIMENSIONS ARE IN mm)</small> <small>FOR TOLERANCES NOT SPECIFIED USE: X.X in ± .1 in, X.XX in ± .01 in, X.XXX in ± .005 in (X mm ± .3 mm), (X.X mm ± .3 mm), (X.XX mm ± .13 mm)</small> <small>ANGULARS: 2°, FRACTIONAL ± 1/64</small>	<small>DRAWN</small> MP <small>DATE</small> 3/13/2012	<p>PCTEL, INC. BROADBAND TECHNOLOGY GROUP ANTENNA PRODUCTS 471 BRIGHTON DRIVE BLOOMINGDALE, IL 60108 PH. 630-372-6800 FAX. 630-372-8077</p>
	<small>CHECKED</small> <small>DATE</small>	
<small>THIRD ANGLE PROJECTION</small> 	<small>APPROVED</small> <small>DATE</small>	<small>DRAWING NO.</small> ODD-PCTP2425
<small>PCTEL CONFIDENTIAL PROPRIETARY THE INFORMATION CONTAINED IN THIS DOCUMENT IS PCTEL CONFIDENTIAL. IT MAY NOT BE USED OR REPRODUCED WITHOUT THE EXPRESS WRITTEN PERMISSION OF PCTEL, INC.</small>	<small>MATERIAL:</small> SEE NOTES <small>FINISH:</small>	<small>SIZE</small> C <small>SCALE</small> FULL <small>SHEET</small> 1 OF 1