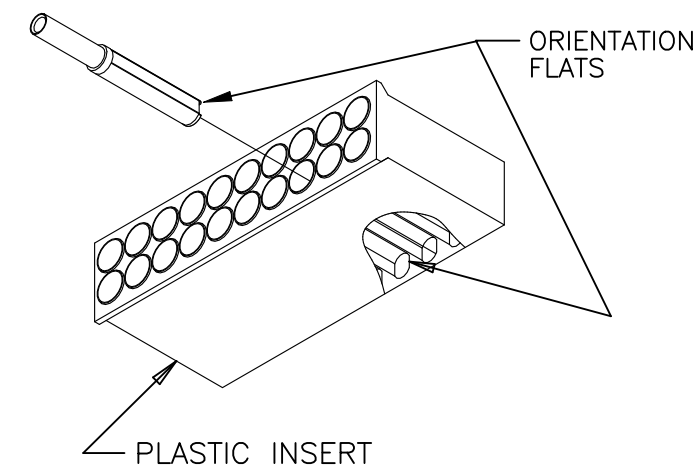


REVISIONS

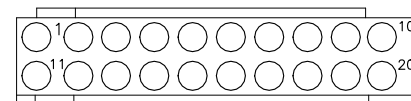
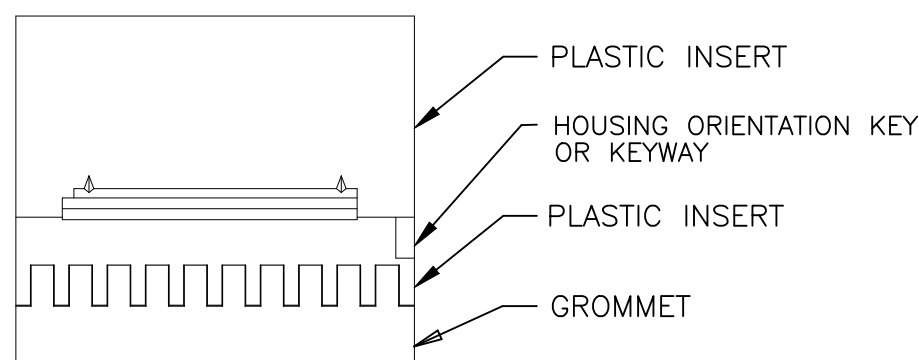
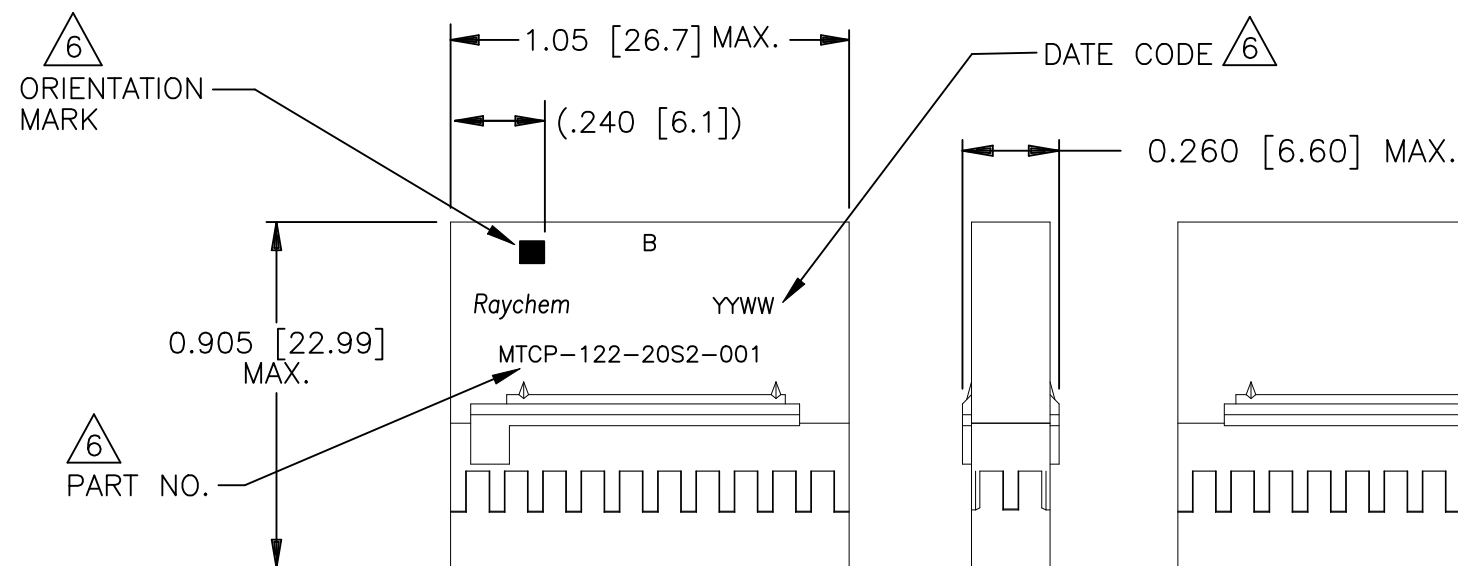
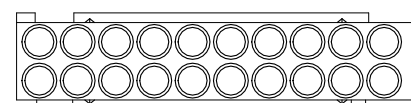
P	LTR	DESCRIPTION	DATE	DWN	APVD
	C	REVISED PER ECN-22-142121	08APR2022	LN	JM


NOTES:

- THIS INSERT IS DESIGNED FOR USE IN TYCO/RAYCHEM CONNECTOR HOUSING MTC100-JH2-XXX. (SEE TYCO/RAYCHEM INFORMATION DRAWING D-659-0097 AND HOUSING SPECIFICATION CONTROL DRAWING FOR FURTHER DETAILS).
- PART DESCRIBED HEREON IS SUPPLIED AS SHOWN. REFER TO TYCO/RAYCHEM INFORMATION DRAWING D-659-0097 FOR CRIMP TOOLS OR ADDITIONAL CONTACTS, SEALING PLUGS OR TOOLS.
- GROMMET DESIGNED TO SEAL ON WIRES HAVING AN INSULATION DIAMETER OF 0.030 TO 0.065.
- PERFORMANCE:
THIS PRODUCT IS DESIGNED TO MEET THE APPLICABLE REQUIREMENTS OF RAYCHEM SPECIFICATION C-6115.
- MATERIALS:
A) PLASTIC INSERT HIGH GRADE POLYARYLENE THERMOPLASTIC
B) GROMMET FLUOROSILICONE PER MIL-R-25988
C) RETENTION CLIPS (20) BERYLLIUM COPPER 172 PER QQ-C-533 OR 301 STAINLESS STEEL PER TEC-100-309 SPECIAL TEMPER



△ PART NUMBER, RAYCHEM, B, DATE CODE AND ORIENTATION MARK ARE STAMPED APPROXIMATELY AS SHOWN.



THIS DRAWING IS A CONTROLLED DOCUMENT.		DWN ZS.ORBAN 29SEP2003	 TE Connectivity			
DIMENSIONS: INCHES		CHK -				NAME
TOLERANCES UNLESS OTHERWISE SPECIFIED:		APVD M.HIGGY 29SEP2003	INSERT, SOCKET, SECONDARY, 20CAVITY, SIZE 20-22			
0 PLC ± - 1 PLC ± - 2 PLC ± - 3 PLC ± - 4 PLC ± - ANGLES ± -		PRODUCT SPEC -	REM. CONTACT, 2-IN CONN, MTC100 SERIES			
MATERIAL -		APPLICATION SPEC -	SIZE A3	CAGE CODE 00779	DRAWING NO. C-MTCP-122-20S2-001	RESTRICTED TO -
FINISH -		WEIGHT 0.0061 lbs	CUSTOMER DRAWING		SCALE 1:1	SHEET 1 OF 1
					REV C	