

Programmable Precision Hall-Effect Switch with Advanced Diagnostics

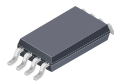
FEATURES AND BENEFITS

- User-programmable unipolar switchpoints
- Integrated diagnostics for enhanced system safety and reliability
 - Enabled on demand
 - Integrated electromagnetic coils test the entire sensor signal path
 - Designed for ISO 26262:2011 /ASIL systems (QM)
- Chopper stabilized
 - Resistant to physical stress
 - Superior temperature stability
- Internal regulator for wide operating voltage range
 - 3.8 to 24 V
- Automotive-grade ruggedness
 - Solid-state reliability
 - Reverse-battery protection
 - Output short-circuit protection
 - AEC-Q100 qualified
- Small surface-mount package



PACKAGE:

8-Pin eTSSOP (Suffix LE)



Not to scale

DESCRIPTION

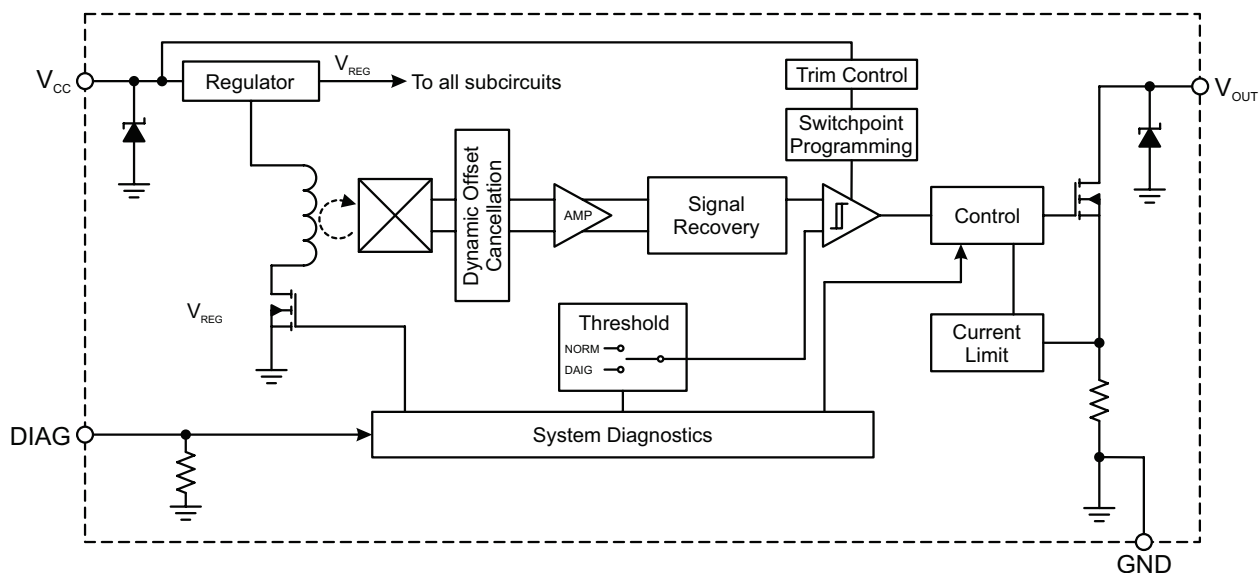
The A1162 is a unipolar Hall-effect switch with an externally enabled diagnostic function and user-programmable switchpoints. On-chip electromagnetic coils are used to implement self-test of the sensor's entire magnetic and electrical signal chain. It is designed for systems where precise magnet switchpoints and safety, reliability, or both, are critical, such as those designed to meet the requirements of ISO 26262:2011.

In normal operating mode, the A1162 functions as a standard unipolar Hall-effect switch. The device output transistor turns on (output signal switches low) in the presence of sufficient magnetic field ($>B_{OP\ max}$). The output transistor of the A1162 switches off (output signal switches high) when the magnetic field is removed ($<B_{RP\ min}$).

When the diagnostic feature is enabled, the output of the A1162 provides a square wave output which confirms the device is properly sensing the internally generated magnetic field. Therefore, use of the A1162 either eliminates the need for redundant sensors in safety-critical applications or increases robustness in safety-critical applications that might otherwise require redundant sensors (drive-by-wire systems, etc.).

This monolithic IC integrates a voltage regulator, Hall voltage generator, small-signal amplifier, chopper stabilization, Schmitt trigger, and short-circuit-protected open-collector output able to sink up to 25 mA. The on-board regulator permits operation

Continued on next page...



Functional Block Diagram

DESCRIPTION (CONTINUED)

with supply voltages of 3.8 to 24 V. It is temperature-stable and stress-resistant, making it especially suited for operation over temperature ranges up to 150°C (L temperature range). Superior high-temperature performance is made possible through advanced dynamic offset cancellation techniques, which reduce the residual offset voltage normally caused by device overmolding, temperature dependencies, and thermal stress.

The A1162 is a Quality Managed (QM) product that has been developed according to the automotive quality requirements of TS 16949 and contains features targeted for automotive safety applications. This product can be qualified for use in accordance with ISO 26262:2011 in compliant safety systems by ensuring a robust integration of the component into the system design. Safety documentation will be provided to support and guide the integration process.

SPECIFICATIONS

Selection Guide

Part Number	Packing	Package	Temperature Range, T_A (°C)	Output in South Polarity Field	Magnetic Operate Point, B_{OP} (G)
A1162LLETR-00-T	4000 pieces / reel	8-pin TSSOP	-40 to 150	Low	Programmable



Absolute Maximum Ratings

Characteristic	Symbol	Notes	Rating	Unit
Forward Supply Voltage	V_{CC}		30	V
Reverse Supply Voltage	V_{RCC}		-18	V
Forward Diagnostic Enable Voltage	V_{DIAG}		6.5	V
Reverse Diagnostic Enable Voltage	V_{RDIAG}		-0.5	V
Output Off Voltage	V_{OUT}		30	V
Continuous Output Current	I_{OUT}		25	mA
Reverse Output Current	I_{OUTR}		50	mA
Operating Ambient Temperature	T_A	Range L	-40 to 150	°C
Maximum Junction Temperature	$T_{J(max)}$		165	°C
Storage Temperature	T_{stg}		-65 to 170	°C



Package LE, 8-Pin eTSSOP Pinouts

Terminal List Table

Pin #	Symbol	Description
1	NC/GND	Connected to ground internally. May be left floating or connected to ground.
2	VOUT	Output from circuit
3	GND	Ground
4	GND	Ground
5	VCC	Connects power supply to chip
6	DIAG	Diagnostic Enable
7	NC/GND	Connected to ground internally. May be left floating or connected to ground.
8	NC/GND	Connected to ground internally. May be left floating or connected to ground.

OPERATING CHARACTERISTICS: Valid over full operating voltage and ambient temperature ranges, unless otherwise specified

Characteristics	Symbol	Test Conditions	Min.	Typ. ¹	Max.	Unit
Electrical Characteristics						
Supply Voltage	V_{CC}	Operating, $T_J < 165^\circ\text{C}$	3.8	–	24	V
Output Leakage Current	I_{OUTOFF}	$V_{OUT} = 24\text{ V}$, $B < B_{RP}$	–	–	10	μA
Output Saturation Voltage	$V_{OUT(SAT)}$	$I_{OUT} = 20\text{ mA}$, $B > B_{OP}$	–	185	400	mV
Output Current Limit	I_{OM}	$B > B_{OP}$	30	–	60	mA
Power-On Time ²	t_{ON}	$V_{CC} > 3.8\text{ V}$, $B < B_{RPmin} - 10\text{ G}$, $B > B_{OPmax} + 10\text{ G}$	–	–	25	μs
Chopping Frequency	f_C		–	400	–	kHz
Output Rise Time ^{2,3}	t_r	$R_{LOAD} = 820\ \Omega$, $C_L = 20\text{ pF}$	–	0.2	2	μs
Output Fall Time ^{2,3}	t_f	$R_{LOAD} = 820\ \Omega$, $C_L = 20\text{ pF}$	–	0.1	2	μs
Supply Current	$I_{CC(ON)}$	$B > B_{OP}$	–	–	5	mA
	$I_{CC(OFF)}$	$B < B_{RP}$	–	–	5	mA
	$I_{CC(DIAG)}$	DIAG = 1, $T_J < T_{J(MAX)}$	–	16	25	mA
Reverse-Battery Current	I_{RCC}	$V_{RCC} = -18\text{ V}$	–	–	-10	mA
Supply Zener Clamp Voltage	V_{ZSUP}	$I_{CC} = 8\text{ mA}$, $T_A = 25^\circ\text{C}$	30	–	–	V
Output Zener Voltage	V_{ZOUT}	$I_{OUT} = 3\text{ mA}$, $T_A = 25^\circ\text{C}$	28	–	–	V
Diagnostic Characteristics						
PWM Carrier Frequency	f_{PWMout}	With diagnostic mode enabled	–	3	–	kHz
Duty Cycle (Diagnostic Mode) ⁴	DC_{FAIL}	DIAG = 1, Device Malfunction	–	0	40	%
	DC_{FAIL}	DIAG = 1, Device Malfunction	60	100	–	%
	DC_{PASS}	DIAG = 1, Device Normal	40	50	60	%
DIAG Pin Input Resistance	R_{DIAG}	DIAG pin pulled low	–	1	–	M Ω
DIAG Pin Input Low Voltage Threshold	V_{IL}	Device in Normal Mode	–	–	0.6	V
DIAG Pin Input High Voltage Threshold	V_{IH}	Device in Diagnostic Mode	1.5	–	5	V
Diagnostic Time	t_D	The diagnostics feature should be enabled for at least t_D in order to obtain an accurate PWM signal.	1	–	–	ms
Diagnostic Disable Time	t_{DIS}	Time from when DIAG pin is released (High to Low transition) to valid device output	–	–	25	μs

Continued on next page...

¹ Typical data is at $T_A = 25^\circ\text{C}$ and $V_{CC} = 12\text{ V}$ and it is for design information only.

² Power-on time, Rise time and Fall time are guaranteed through device characterization and not final test.

³ C_L = oscilloscope probe capacitance.

⁴ When the DUT passes the diagnostic tests, the output will be a 50% duty cycle signal. Any other output indicates the DUT failed the test. Please see the application notes for more information.

OPERATING CHARACTERISTICS (continued): Valid over full operating voltage and ambient temperature ranges, unless otherwise specified

Characteristics	Symbol	Test Conditions	Min.	Typ. ¹	Max.	Unit
Magnetic Characteristics ⁵						
Magnetic Step Size		B _{OP} programming step size	–	5	–	G
Operate Point	B _{OP}	Programmable	B _{RPmin} + B _{HYS}	–	250	G
Release Point	B _{RP}	Programmable	–5	–	B _{OPmax} – B _{HYS}	G
Hysteresis (B _{OP} – B _{RP})	B _{HYS00}	B _{HYS} register = 00	5	–	30	G
	B _{HYS01}	B _{HYS} register = 01	7	–	40	G
	B _{HYS10}	B _{HYS} register = 10	10	–	60	G
	B _{HYS11}	B _{HYS} register = 11	15	–	65	G
Maximum External Field in Diagnostic Mode ⁶	B _{EXT(DIAG)}		800	10,000	–	G
Drift Detection Threshold						
Operate Point Drift	B _{OP(DRIFT)}	Programmable	0.25 × B _{OP}	–	1.75 × B _{OP}	G
Release Point Drift	B _{RP(DRIFT)}	Programmable	0.25 × B _{RP}	–	1.75 × B _{RP}	G

¹ Typical data is at T_A = 25°C and V_{CC} = 12 and it is for design information only

⁵ Magnetic flux density (B) is indicated as a negative value for north-polarity magnetic fields, and is a positive value for south-polarity magnetic fields.

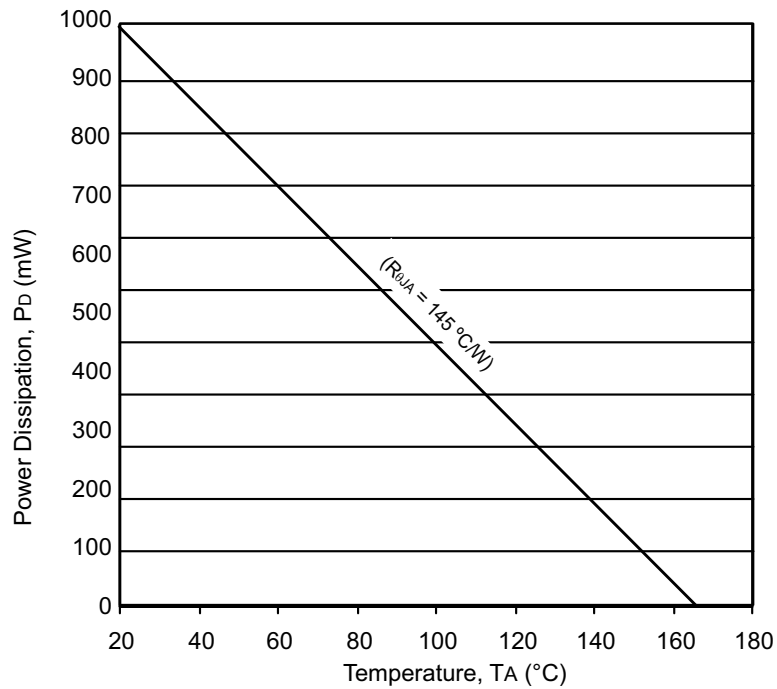
⁶ 800 G is the maximum test capability due to practical equipment limitations. Design simulations show that a 10,000 G external field will not adversely affect the sensor in diagnostic mode.

THERMAL CHARACTERISTICS: May require derating at maximum conditions; see application information

Characteristic	Symbol	Test Conditions*	Value	Unit
Package Thermal Resistance	$R_{\theta JA}$	On 4-layer PCB based on JEDEC standard JESD51-7	145	$^{\circ}\text{C}/\text{W}$

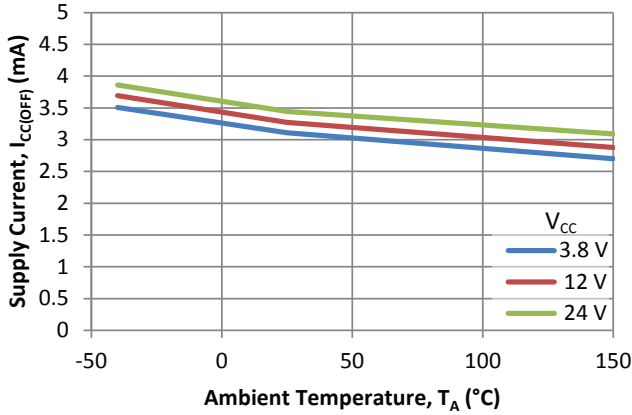
*Additional thermal information available on the Allegro website

Maximum Power Dissipation vs. Ambient Temperature

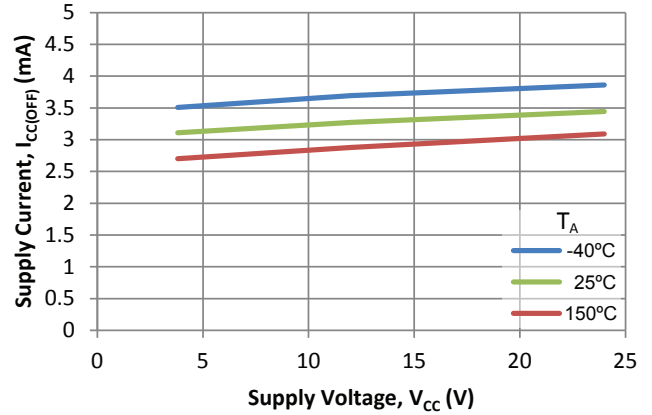


CHARACTERISTIC PERFORMANCE

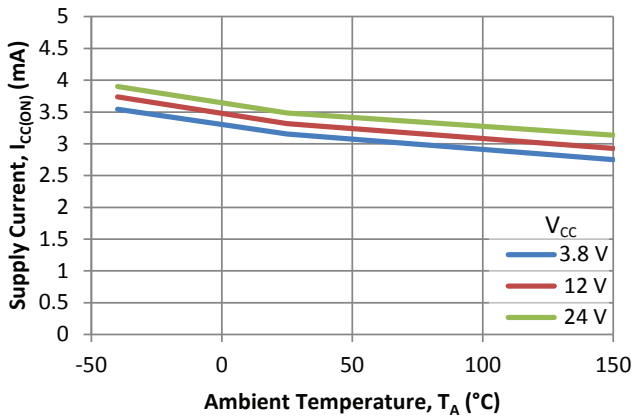
$I_{CC(OFF)}$ vs. T_A



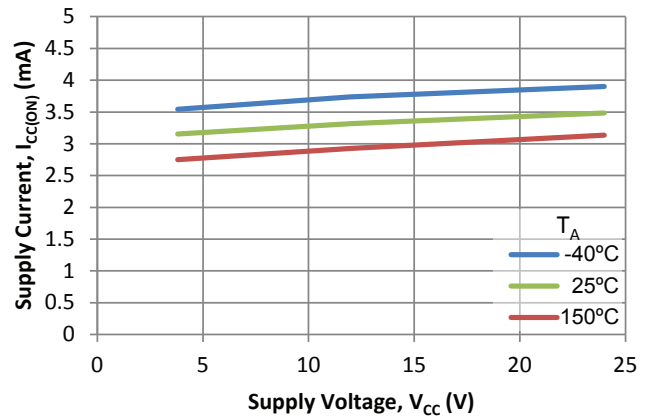
$I_{CC(OFF)}$ vs. V_{CC}



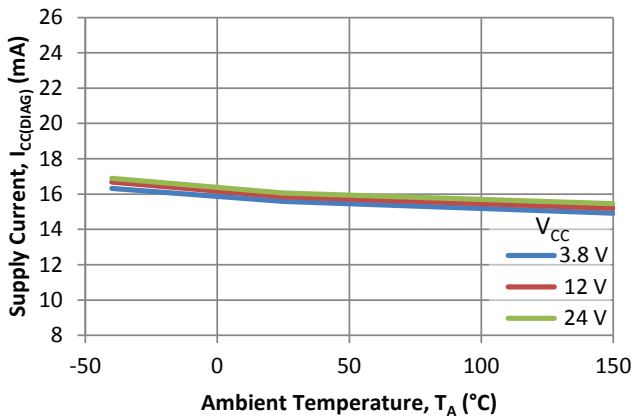
$I_{CC(ON)}$ vs. T_A



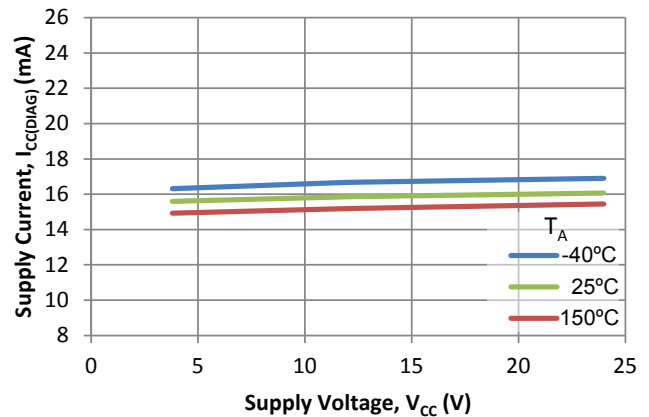
$I_{CC(ON)}$ vs. V_{CC}

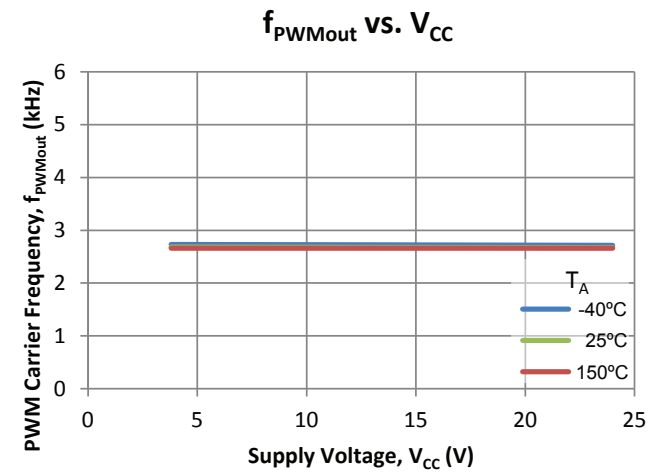
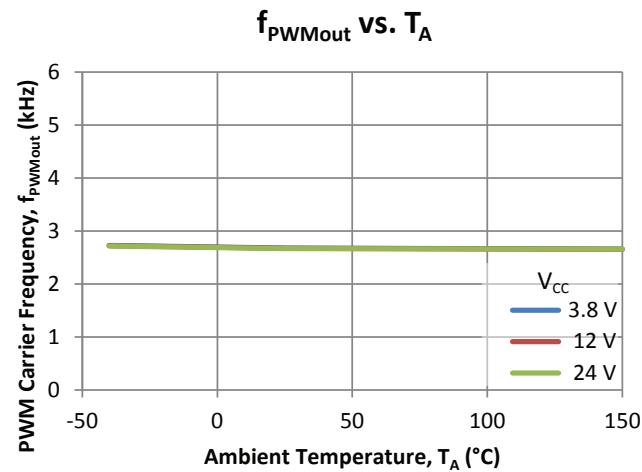
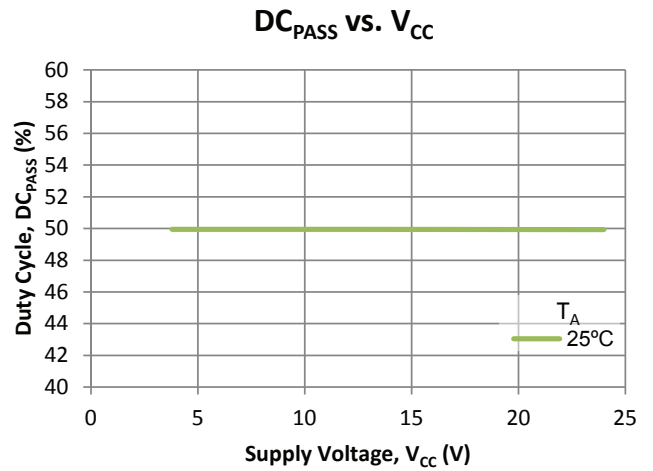
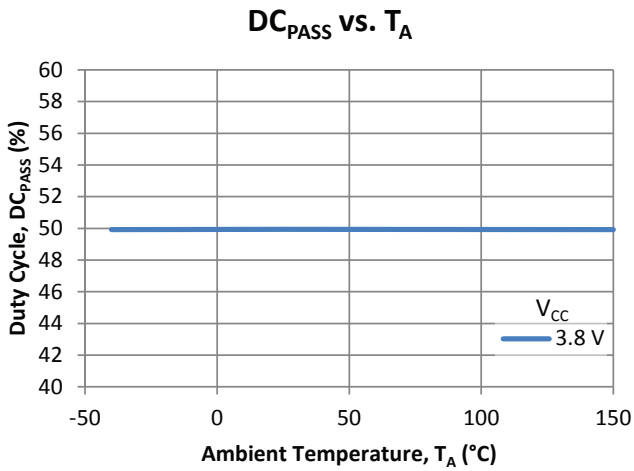
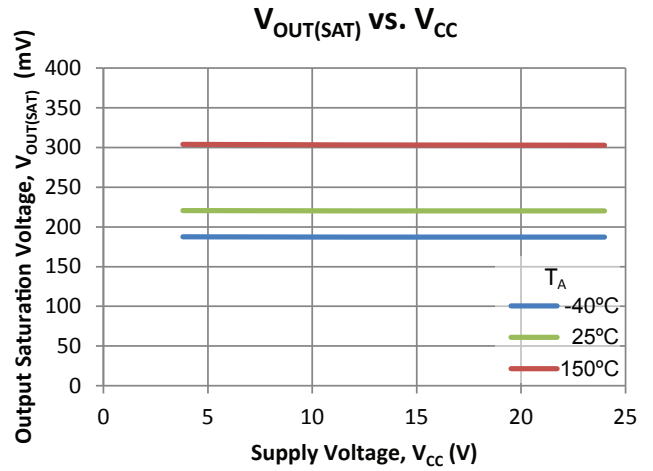
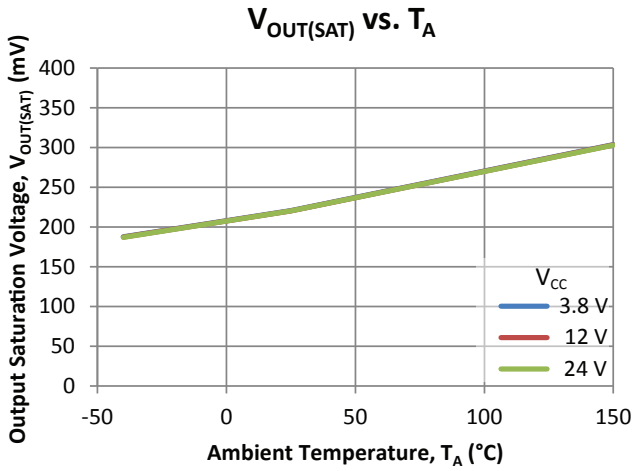


$I_{CC(DIAG)}$ vs. T_A

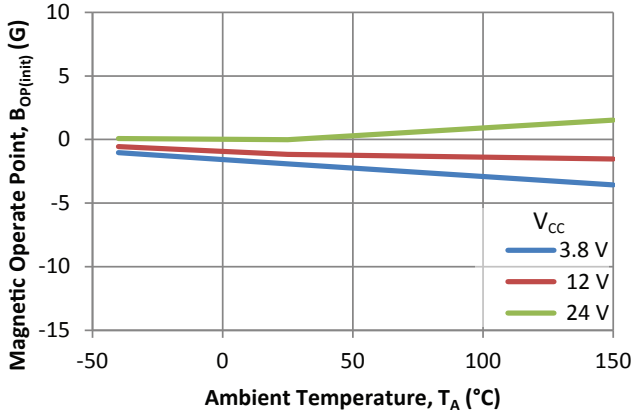


$I_{CC(DIAG)}$ vs. V_{CC}

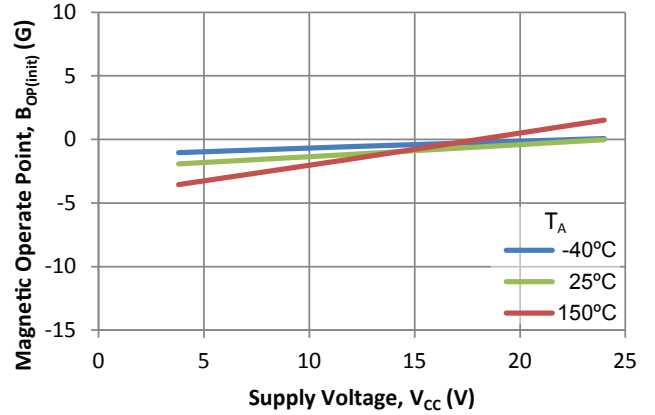




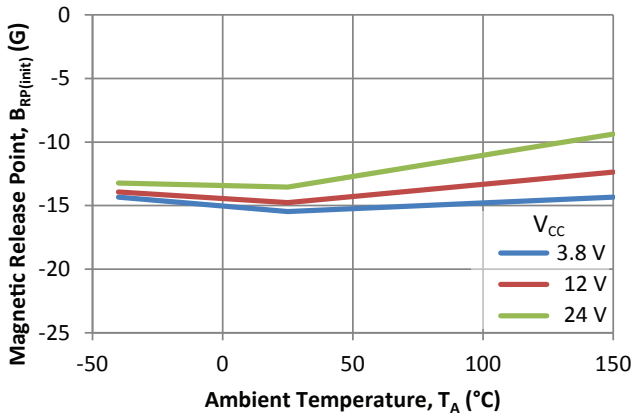
$B_{OP(init)}$ vs. T_A



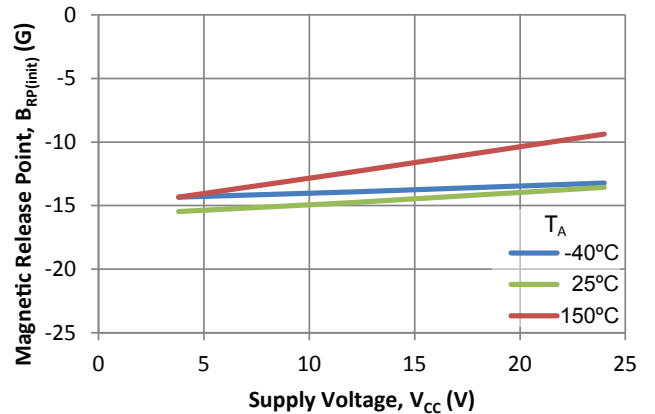
$B_{OP(init)}$ vs. V_{CC}



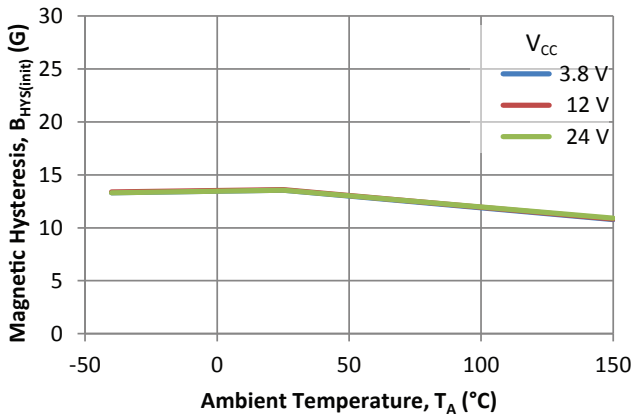
$B_{RP(init)}$ vs. T_A



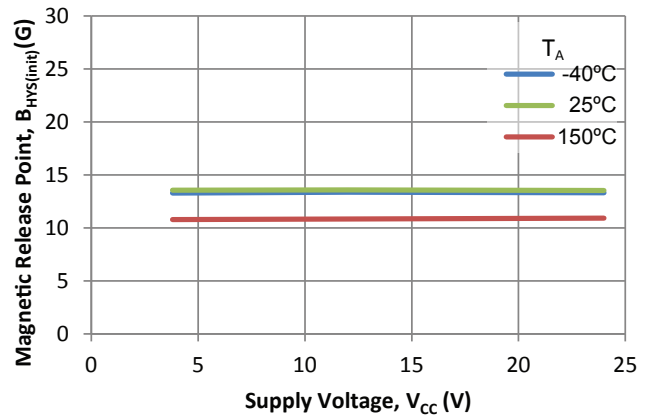
$B_{RP(init)}$ vs. V_{CC}



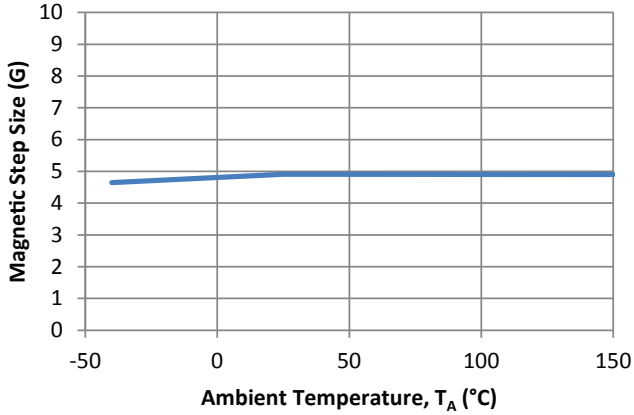
$B_{HYS(init)}$ vs. T_A



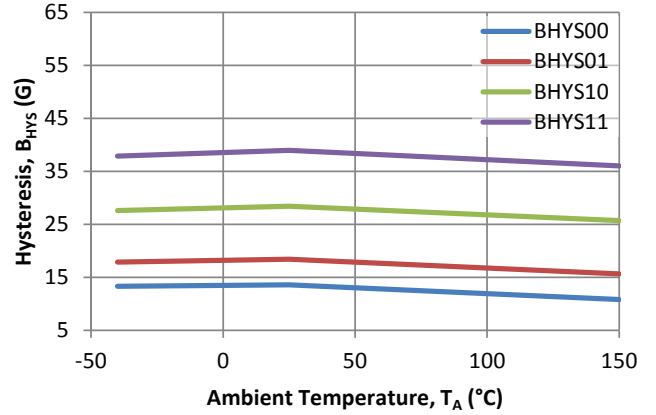
$B_{HYS(init)}$ vs. V_{CC}



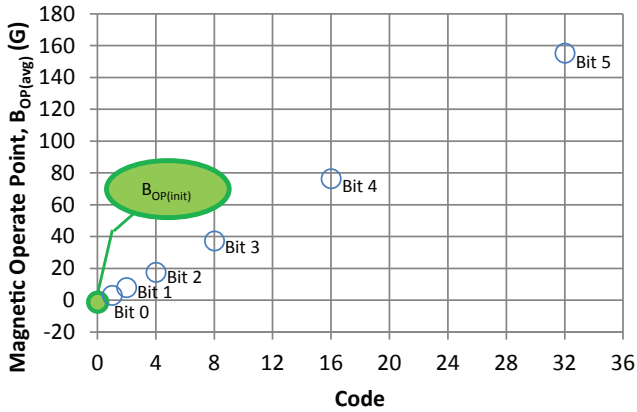
B_{OP} Programming Step Size vs. T_A



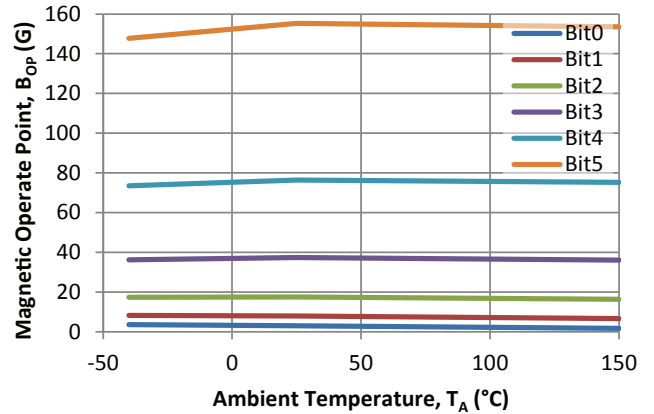
B_{HYS} vs. T_A



B_{OP(avg)} vs. Code



B_{OP} Bit Weight vs. T_A



FUNCTIONAL DESCRIPTION

Operation

The output of these devices switches low (turns on) when a magnetic field perpendicular to the Hall sensor exceeds the operate point threshold, B_{OP} (see Figure 1). After turn-on, the output is capable of sinking 25 mA and the output voltage is $V_{OUT(SAT)}$. When the magnetic field is reduced below the release point (B_{RP}) the device output goes high (turns off). The difference in the magnetic operate and release points is the hysteresis (B_{HYS}) of the device. This built-in hysteresis allows clean switching of the output, even in the presence of external mechanical vibration and electrical noise.

Powering-on the device in the hysteresis range, less than B_{OP} and higher than B_{RP} , results in a HIGH output state. The correct state is attained after the first excursion beyond B_{OP} or B_{RP} . The output will not switch until there is a valid transition beyond B_{OP} or B_{RP} .

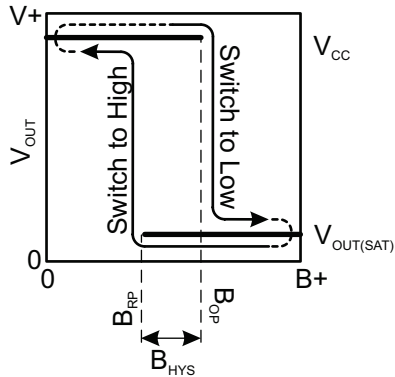


Figure 1: Switching Behavior of Unipolar Switches

On the horizontal axis, the B+ direction indicates increasing south polarity magnetic field strength.

Power-On Sequence and Timing

The output states are only valid when the supply voltage is within the specified operating range ($V_{CC(MIN)} \leq V_{CC} \leq V_{CC(MAX)}$) and the power-on time has elapsed ($t > t_{ON}$). Refer to Figure 2 for an illustration of the power-on sequence.

Once the supply voltage is within the operational range, the output will be in the low state (power-on state), irrespective of the magnetic field. The output will remain low until the sensor is fully powered on ($t > t_{ON}$), at which point, the output will respond to the corresponding magnetic field presented to the sensor.

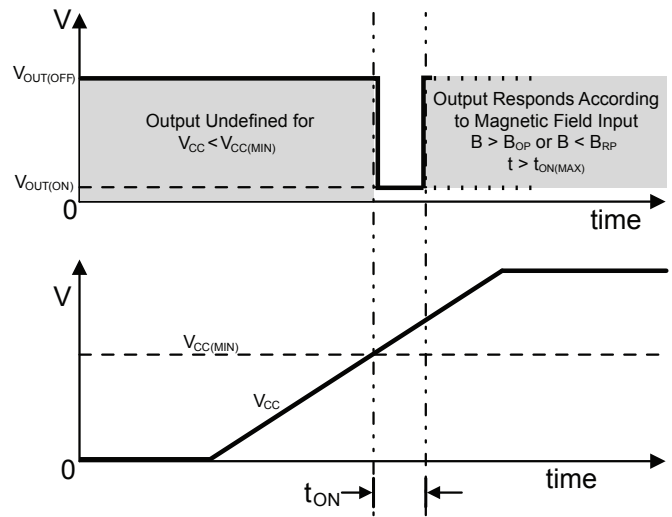


Figure 2: Power-On Sequence and Timing

Diagnostic Mode of Operation

The diagnostic mode is accessed by applying a voltage higher than V_{IH} on the diagnostic enable pin. The diagnostic mode uses an internally generated magnetic signal to exercise the signal path. This signal is compared to two reference signals in the Schmitt Trigger block (refer to Figure 3).

If the diagnostic signal is between the two reference signals, the part is considered to be working within specifications and a 50% PWM signal is set at the output pin, as shown in Figure 3. If the diagnostic signal is above the upper reference or below the lower reference, the output is set at a fixed value (High/Low).

The diagnostic mode of operation not only detects catastrophic failures but also drifts in the magnetic switchpoints. If B_{OP} or B_{RP} drift to values below or above the values stated in the Drift Detection Threshold table, the output is set at a fixed value when in the diagnostic mode of operation.

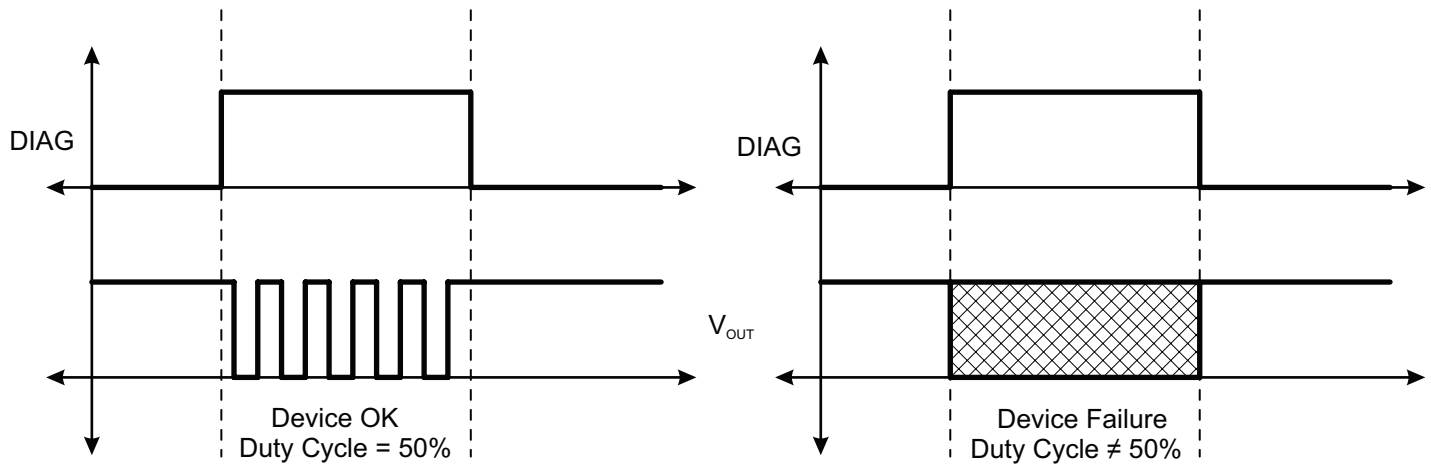


Figure 3: Diagnostic Functional Diagram

When the device passes, there will be a 50% duty-cycle signal sent out. In the event of a failure, the output will typically be forced either high or low. Diagnostic mode is only active when DIAG is pulled high.

Applications

It is strongly recommended that an external capacitor be connected (in close proximity to the Hall sensor) between the supply and ground of the device to reduce both external noise and noise generated by the chopper stabilization technique. As shown in Figure 4, a 0.1 μF capacitor is typical.

Note that pins 3 and 4 are the primary ground return for all sensor functions. These pins should be connected together close to the IC. Pins 1, 7, and 8 are connected to ground internally, but these pins may be connected to ground or left floating. They must not be connected to VCC or any other signal.

Extensive applications information on magnets and Hall-effect sensors is available in:

- [Hall-Effect IC Applications Guide, AN27701](#)
- [Soldering Methods for Allegro's Products – SMT and Through-Hole, AN26009](#)
- [Guideline for Designing Subassemblies Using Hall-Effect Devices, AN27703.1](#)
- [ASEK-02 Allegro Sensor Evaluation Kit Technical Guide](#)

All are provided on the Allegro website:

www.allegromicro.com

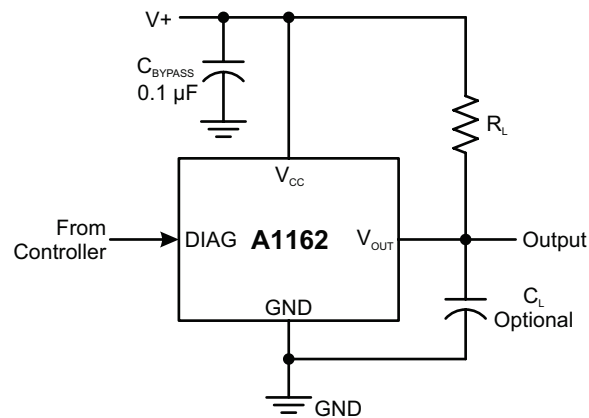


Figure 4: Typical Application Circuit

PROGRAMMING GUIDELINES

Overview

Programming is accomplished by sending a series of input voltage pulses serially through the VCC (supply) pin of the device. A unique combination of different voltage level pulses controls the internal programming logic of the device to select a desired programmable parameter and change its value. There are three voltage levels that must be taken into account when programming. These levels are referred to as *high* (V_{PH}), *mid* (V_{PM}), and *low* (V_{PL}).

The A1162 features three programmable modes, Try mode, Blow mode, and Read mode:

- In Try mode, programmable parameter values are set and measured simultaneously. A parameter value is stored temporarily, and is reset after cycling the supply voltage.
- In Blow mode, the value of a programmable parameter may be permanently set by blowing solid-state fuses internal to the device. Device-locking is also accomplished in this mode.
- In Read mode, each bit may be verified as blown or not blown.

The programming sequence is designed to help prevent the device from being programmed accidentally—for example, as a result of noise on the supply line. Note that, for all programming modes, no parameter programming registers are accessible after the device-level LOCK bit is set. The only function that remains accessible is the overall Fuse Checking feature.

Although any programmable variable power supply can be used to generate the pulse waveforms, for design evaluations, Allegro highly recommends using the ASEK-02 Allegro Sensor IC Evaluation Kit. The ASEK-02 kit provides a graphical user interface (GUI) for programming various Allegro field-programmable Hall-effect devices. In addition, a low-voltage interface board (ASEK-02-WB-T) is required—contact your local FAE regarding availability.

The ASEK-02 kit is intended for use as a benchtop engineering tool, for learning about, evaluating, and characterizing Allegro sensors, for programming/calibrating devices in small volumes, and for developing code and procedures for use in production. Note that this kit is not recommended for production purposes.

See the *Allegro Sensor Evaluation Kit Technical Guide (ASEK-02)* available at <http://www.allegromicro.com/en/Sample-And-Buy/Demo-Boards/ASEK-02-Demo-Board.aspx> for more details. Contact your local Allegro FAE regarding availability or purchase the kit from Digi-Key (Part Number 620-1625-ND).

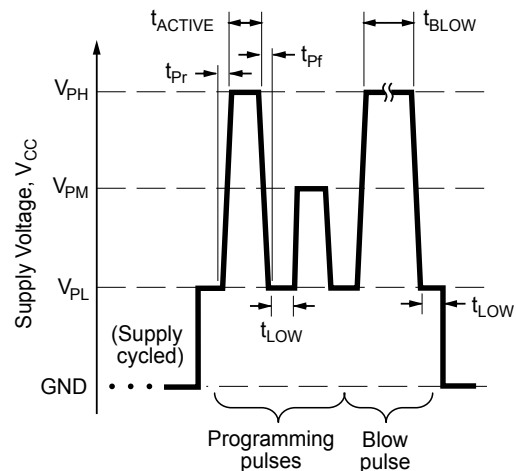


Figure 5: Programming Pulse Definitions (see Table 1)

Table 1: Programming Pulse Requirements, Protocol at $T_A = 25^\circ\text{C}$

Characteristics	Symbol	Notes	Min.	Typ.	Max.	Unit
Programming Voltage	V_{PL}	Measured at the VCC pin	4.5	5	5.5	V
	V_{PM}		12.5	–	14	V
	V_{PH}		21	–	27	V
Programming Current	I_{PP}	$V_{CC} = 5 \rightarrow 26\text{ V}$, $C_{BLOW} = 0.1\ \mu\text{F}$ (min); minimum supply current required to ensure proper fuse blowing.	175	–	–	mA
Pulse Width	t_{LOW}	Duration of V_{PL} separating pulses at V_{PM} or V_{PH}	20	–	–	μs
	t_{ACTIVE}	Duration of pulses at V_{PM} or V_{PH} for key/code selection	20	–	–	μs
	t_{BLOW}	Duration of pulse at V_{PH} for fuse blowing	90	100	–	μs
Pulse Rise Time	t_{Pr}	V_{PL} to V_{PM} or V_{PL} to V_{PH}	5	–	100	μs
Pulse Fall Time	t_{Pf}	V_{PM} to V_{PL} or V_{PH} to V_{PL}	5	–	100	μs
Blow Pulse Slew Rate	SR_{BLOW}		0.375	–	–	V/ μs

Definition of Terms

Register The section of the programming logic that controls the choice of programmable modes and parameters.

Bit Field The internal fuses unique to each register, represented as a binary number. Changing the bit field settings of a particular register causes its programmable parameter to change, based on the internal programming logic.

Key A series of voltage pulses used to select a register or mode

Code The number used to identify the combination of fuses activated in a bit field, expressed as the decimal equivalent of the binary value. The LSB of a bit field is denoted as code 1, or bit 0.

Addressing Increasing the bit field code of a selected register by serially applying a pulse train through the VCC pin of the device. Each parameter can be measured during the addressing process, but the internal fuses must be blown before the programming code (and parameter value) becomes permanent.

Fuse Blowing Applying a high-voltage pulse of sufficient duration to permanently set an addressed bit by blowing a fuse internal to the device. Once a bit (fuse) has been blown, it cannot be reset.

Blow Pulse A high-voltage pulse of sufficient duration to blow the addressed fuse.

Cycling the Supply Powering-down, and then powering-up the supply voltage. Cycling the supply is used to clear the programming settings in Try mode.

Programming Procedure

Programming involves selection of a register and mode, and then setting values for parameters in the register for evaluation or fuse blowing. Figure 10 provides an overview state diagram.

REGISTER SELECTION

Each programmable parameter can be accessed through a specific register. To select a register, from the Initial state, a sequence of voltage pulses consisting of one V_{PH} pulse, one V_{PM} pulse, and then a unique combination of V_{PH} and V_{PM} pulses, is applied serially to the VCC pin (with no V_{CC} supply interruptions). This

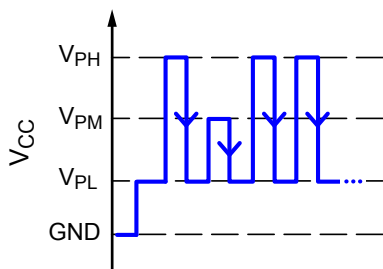


Figure 6: Example of Try Mode Register Selection Pulses, for the B_{OP} Negative Trim, Up-Counting Register.

sequence of pulses is called the *key*, and uniquely identifies each register. An example register selection key is shown in Figure 6.

To simplify Try mode, the A1162 provides a set of virtual registers for each combination of: B_{OP} selection (B_{OPSEL}), B_{HYS} selection, and a facility for transiting B_{OP} magnitude values in an increasing or decreasing sequence. These registers also allow wrapping back to the beginning of the register after transiting the register.

MODE SELECTION

The same physical registers are used for all programming modes. To distinguish Blow mode and Read mode, when selecting the registers, an additional pulse sequence consisting of eleven V_{PM} pulses followed by one V_{PH} pulse is added to the key. The combined register and mode keys are shown in Table 3.

TRY MODE

In Try mode, the bit field addressing is accomplished by applying a series of V_{PM} pulses to the VCC pin of the device, as shown in Figure 7. Each pulse increases the total bit field value of the selected parameter, increasing by one on the falling edge of each additional V_{PM} pulse. When addressing a bit field in Try mode, the number of V_{PM} pulses is represented by a decimal number called a *code*. Addressing activates the corresponding fuse locations in the given bit field by increasing the binary value of an internal DAC, up to the maximum possible code. As the value of the bit field code increases, the value of the programmable parameter changes. Measurements can be taken after each V_{PM} pulse to determine if the desired result for the programmable parameter has been reached. Cycling the supply voltage resets all the locations in the bit field that have un-blown fuses to their initial states. This should also be done before selection of a different register in Try mode.

When addressing a parameter in Try mode, the bit field address (code) defaults to the value 1, on the falling edge of the final register selection key V_{PH} pulse (see Figure 5). A complete example is shown in Figure 8. Note that, in the four B_{OP} selection virtual registers, after the maximum code is entered, the next V_{PM} pulse wraps back to the beginning of the register, and selects code 0.

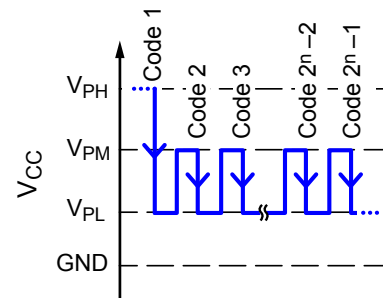


Figure 7: Try Mode Bit Field Addressing Pulses.

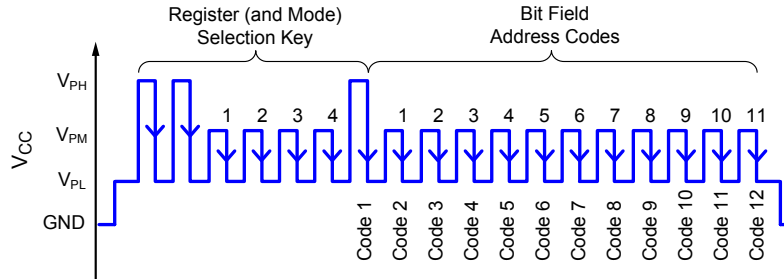


Figure 8: Example of Try Mode Programming Pulses Applied to the VCC Pin

In this example, B_{OP} Trim, Down-Counting register is addressed to code 12 by the eleven V_{PM} pulses (code 1 is selected automatically at the falling edge of the register-mode selection key).

The B_{OP} selecting virtual register allows the programmer to adjust the B_{OP} parameter from low to high, or from high to low. Figure 9 shows the relationship between the B_{OP} parameter and the different Try mode registers.

BLOW MODE

After the required code is determined for a given parameter, its value can be set permanently by blowing individual fuses in the appropriate register bit field. Blowing is accomplished by selecting the register and mode selection key, followed by the appropriate bit field address, and ending the sequence with a Blow pulse. The Blow mode selection key is a sequence of eleven V_{PM} pulses followed by one V_{PH} pulse. The Blow pulse consists of a V_{PH} pulse of sufficient duration (t_{BLOW}) to permanently set an addressed bit by blowing a fuse internal to the device. The device power must be cycled after each individual fuse is blown.

Due to power requirements, a 0.1 μF blowing capacitor (C_{BLOW}) must be mounted between the VCC pin and the GND pin during programming, to ensure enough current is available to blow fuses. If programming in the application, C_{BYPASS} (see Figure 1) can serve the same purpose.

The fuse for each bit in the bit field must be blown individually. The A1162 built-in circuitry allows only one fuse at a time to be blown. During Blow mode, the bit field can be considered a “one-hot” shift register. Table 2 illustrates how to relate the number of V_{PM} pulses to the binary and decimal value for Blow mode bit field addressing. It should be noted that the simple relationship between the number of V_{PM} pulses and the required code is:

$$2^n = Code,$$

where n is the number of V_{PM} pulses, and the bit field has an initial state of decimal code 1 (binary 00000001). To correctly blow

the required fuses, the code representing the required parameter value must be translated to a binary number. For example, as shown in Figure 9, decimal code 5 is equivalent to the binary number 101. Therefore bit 2 must be addressed and blown, the device power supply cycled, and then bit 0 must be addressed and blown. The order of blowing bits, however, is not important. Blowing bit 0 first, and then bit 2 is acceptable. A complete example is shown in Figure 10.

Table 2: Blow Mode Bit Field Addressing

Quantity of V _{PM} Pulses	Binary Register Bit Field	Decimal Equivalent Code
0	0000 0001	1
1	0000 0010	2
2	0000 0100	4
3	0000 1000	8
4	0001 0000	16
5	0010 0000	32
6	0100 0000	64

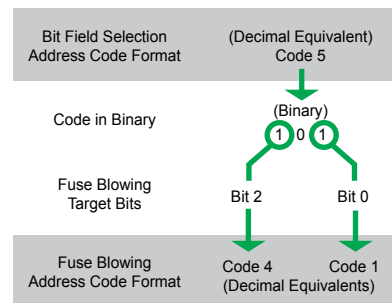


Figure 9: Example of Code 5 Broken into Its Binary Components

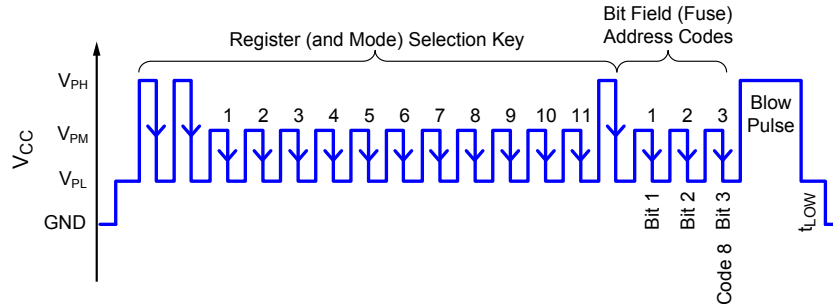


Figure 10: Example of Blow Mode Programming Pulses Applied to the VCC Pin

In this example, the B_{OP} Magnitude Selection register (BOPSEL) is addressed to code 8 (bit 3, or 3 V_{PM} pulses) and its value is permanently blown.

Note: After blowing, the programming is not reversible, even after cycling the supply power. Although a register bit field fuse cannot be reset after it is blown, additional bits within the same register can be blown at any time until the device is locked. For example, if bit 1 (binary 10) has been blown, it is still possible to blow bit 0. The end result would be binary 11 (decimal code 3).

LOCKING THE DEVICE

After the required code for each parameter is programmed, the device can be locked to prevent further programming of any parameters. To do so, perform the following steps:

1. Ensure that the C_{BLOW} capacitor is mounted.
2. Select the Output/Lock Bit register key.
3. Select Blow mode selection key.
4. Address bit 4 (10000) by sending four V_{PM} pulses.

5. Send one Blow pulse, at I_{PP} and SR_{BLOW}, and sustain it for t_{BLOW}.
6. Delay for a t_{LOW} interval, then power-down.
7. Optionally check all fuses.

FUSE CHECKING

Incorporated in the A1162 is circuitry to simultaneously check the integrity of the fuse bits. The fuse-checking feature is enabled by using the Fuse Checking registers, and while in Try mode, applying the codes shown in Table 3. The register is only valid in Try mode and is available before or after the programming LOCK bit is set.

Selecting the Fuse Threshold High register checks that all blown fuses are properly blown. Selecting the Fuse Threshold Low register checks all un-blown fuses are properly intact. The supply current (I_{CC}) increases by 250 μA if a marginal fuse is detected. If all fuses are correctly blown or fully intact, there will be no change in supply current.

Table 3: Programming Logic Table

Register Name (Selection Key)	Bit Field Address (Code)		Notes
	Binary (MSB → LSB)	Decimal Equivalent	
TRY MODE REGISTER SELECTION: any VPM pulse after the register selection sequence will move the counter and change the selected register code			
B _{OP} Trim Up-Counting [2 × V _{PH}]	000000 111111	0 63	Increases B _{OP} . Code 1 automatically selected when register entered; wraps back to code 0.
B _{OP} Trim Down-Counting [2 × V _{PH} → 4 × V _{PM} → V _{PH}]	111111 000000	63 0	Decreases B _{OP} . Code 63 automatically selected when register entered; wraps back to code 0.
B _{OP} Trim Up-Counting, Bit Wise [2 × V _{PH} → 9 × V _{PM} → V _{PH}]	000000 000001 000010 000100 001000 010000 100000	0 1 2 4 8 16 32	Bit 1 automatically selected when register entered.
B _{HYS} Trim [V _{PH} → 3 × V _{PM} → V _{PH}]	00 11	0 3	Code 1 automatically selected when register entered.
Parity Bit [V _{PH} → V _{PM} → V _{PH}]	0	0	Code 1 automatically selected when register entered.
Fuse Threshold Low [V _{PH} → 3 × V _{PM} → V _{PH} → 7 × V _{PM}]			Checks un-blown fuses.
Fuse Threshold High [V _{PH} → 3 × V _{PM} → V _{PH} → 8 × V _{PM}]			Checks blown fuses.
BLOW MODE REGISTER SELECTION			
B _{OP} Selection [2 × V _{PH} → 11 × V _{PM} → V _{PH} → (n) × V _{PM} → V _{PH_BLOW}]	000000 111111	0 63	B _{OP} magnitude selection. Code 0 = B _{OP(min)} (default – no fuse blowing required.) Code 63 = B _{OP(max)}
B _{HYS} Selection [V _{PH} → 3 × V _{PM} → V _{PH} → 11 × V _{PM} → V _{PH} → (n) × V _{PM} → V _{PH_BLOW}]	00 11	0 3	B _{HYS} magnitude selection. Code 0 = B _{HYS(min)} (default – no fuse blowing required) Code 3 = B _{HYS(max)}
Parity Bit [V _{PH} → V _{PM} → V _{PH} → 11 × V _{PM} → V _{PH} → V _{PH_BLOW}]	0	0	Blow decision is made automatically.
Lock Bit [V _{PH} → 3 × V _{PM} → V _{PH} → 11 × V _{PM} → V _{PH} → 4 × V _{PM} → V _{PH_BLOW}]			Locks access to B _{OP} and B _{HYS} selection registers.

ADDITIONAL GUIDELINES

The additional guidelines in this section should be followed to ensure the proper behavior of these devices:

- The power supply used for programming must be capable of delivering at least V_{PH} and 175 mA.
- Be careful to observe the t_{LOW} delay time before powering down the device after blowing each bit.
- Set the LOCK bit (only after all other parameters have been programmed and validated) to prevent any further programming of the device.

READ MODE

The A1162 features a Read mode that allows the status of each programmable fuse to be read back individually. The status, blown or not blown, of the addressed fuse is determined by moni-

toring the state of the VOUT pin. A complete example is shown in Figure 11.

Read mode uses the same register selection keys as Blow mode (see Table 3), allowing direct addressing of the individual fuses in the BOPSEL register (do not inadvertently send a Blow pulse while in Read mode). After sending the register and mode selection keys, that is, after the falling edge of the final V_{PH} pulse in the key, the first bit (the LSB) is selected. Each additional V_{PM} pulse addresses the next bit in the selected register, up to the MSB. Read mode is available only before the LOCK bit has been set.

After the final V_{PH} key pulse, and after each V_{PM} address pulse, if V_{OUT} is low, the corresponding fuse can be considered blown. If the output state is high, the fuse can be considered un-blown. During Read mode VOUT must be pulled high using a pull-up resistor (see R_{LOAD} in the Typical Application Circuit diagram).

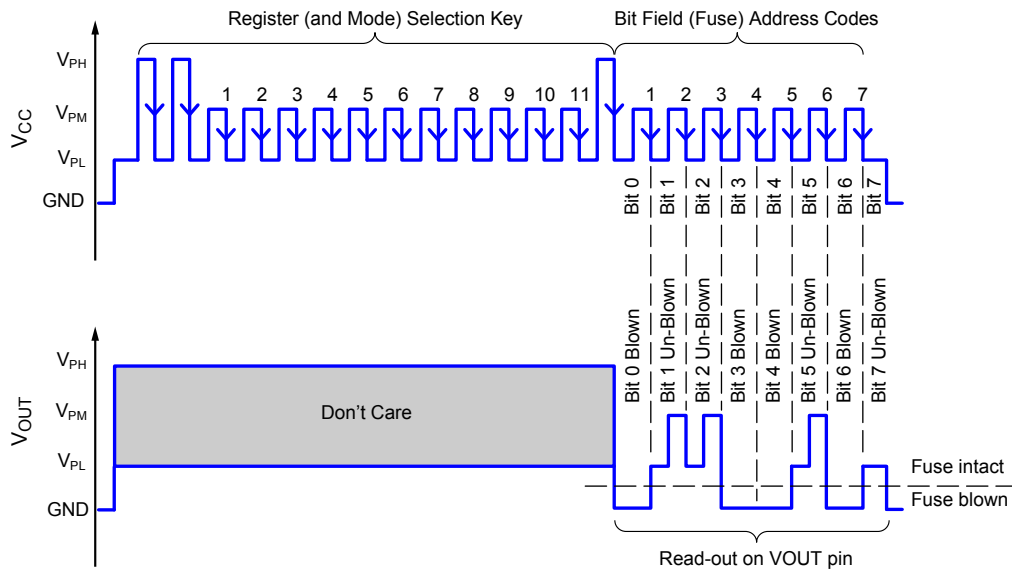


Figure 11: Read Mode Example

Pulse sequence for accessing the B_{OP} Selection register (BOPSEL) and reading back the status of each of the eight bit fields. In this example, the code (blown fuses) is $2^0 + 2^3 + 2^4 + 2^6 = 89$ (0101 1001). After each address pulse is sent, the voltage on the VOUT pin will be at GND for blown fuses and at V_{CC} (at V_{PL} or V_{PM}) for un-blown fuses.

B_{OP} SELECTION

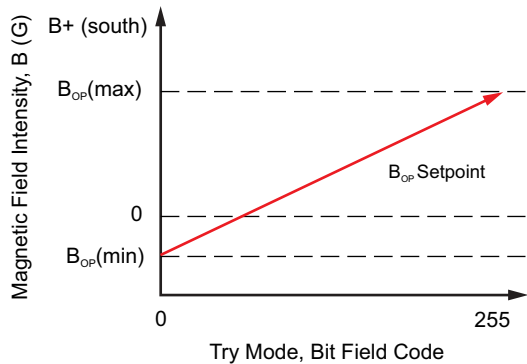
The A1162 allows accurate trimming of the magnetic operate point (B_{OP}) within the application. This programmable feature reduces effects due to mechanical placement tolerances and improves performance when used in proximity or vane sensing applications.

B_{OP} can be set to any value within the range allowed by the BOPSEL registers. However, switching is recommended only within the Programmable B_{OP} Range, specified in the Operating Characteristics table.

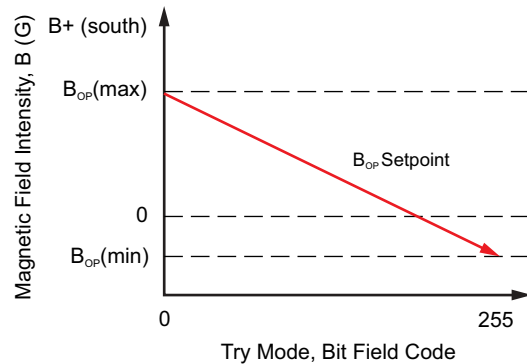
Trimming of B_{OP} is typically done in two stages. In the first

stage, B_{OP} is adjusted temporarily using the Try mode programming features, to find the fuse value that corresponds to the optimum B_{OP}. After a value is determined, then it can be permanently set using the Blow mode features.

As an aid to programming, the A1162 has two options available in Try Mode for adjusting the B_{OP} parameter. As shown in Figure 12, this allows the B_{OP} parameter to either trim-up (i.e., start at the B_{OP} minimum value and increase to the maximum value) or trim-down (i.e., start at the B_{OP} maximum value and decrease to the minimum value).



(A) B_{OP}, Trim Up-Counting Register



(B) B_{OP}, Trim Down-Counting Register

Figure 12: B_{OP} Profiles for Each of the B_{OP} Selection Virtual Registers Available in Try Mode.

Chopper Stabilization Technique

When using Hall-effect technology, a limiting factor for switch point accuracy is the small signal voltage developed across the Hall element. This voltage is disproportionately small relative to the offset that can be produced at the output of the Hall sensor IC. This makes it difficult to process the signal while maintaining an accurate, reliable output over the specified operating temperature and voltage ranges. Chopper stabilization is a proven approach used to minimize Hall offset on the chip.

The Allegro technique, namely Dynamic Quadrature Offset Cancellation, removes key sources of the output drift induced by thermal and mechanical stresses. This offset reduction technique is based on a signal modulation-demodulation process. The undesired offset signal is separated from the magnetic field-induced signal in the frequency domain through modulation.

The subsequent demodulation acts as a modulation process for the offset, causing the magnetic field-induced signal to recover its original spectrum at baseband, while the DC offset becomes a high-frequency signal. The magnetic signal then can pass through a low-pass filter, while the modulated DC offset is suppressed. The chopper stabilization technique uses a high frequency clock, generally at hundreds of kilohertz. A sample-and-hold technique is used for demodulation, where the sampling is performed at

twice the chopper frequency. This high-frequency operation allows a greater sampling rate, which results in higher accuracy and faster signal-processing capability. This approach desensitizes the chip to the effects of thermal and mechanical stresses, and produces devices that have extremely stable quiescent Hall output voltages and precise recoverability after temperature cycling. This technique is made possible through the use of a BiCMOS process, which allows the use of low-offset, low-noise amplifiers in combination with high-density logic integration and sample-and-hold circuits.

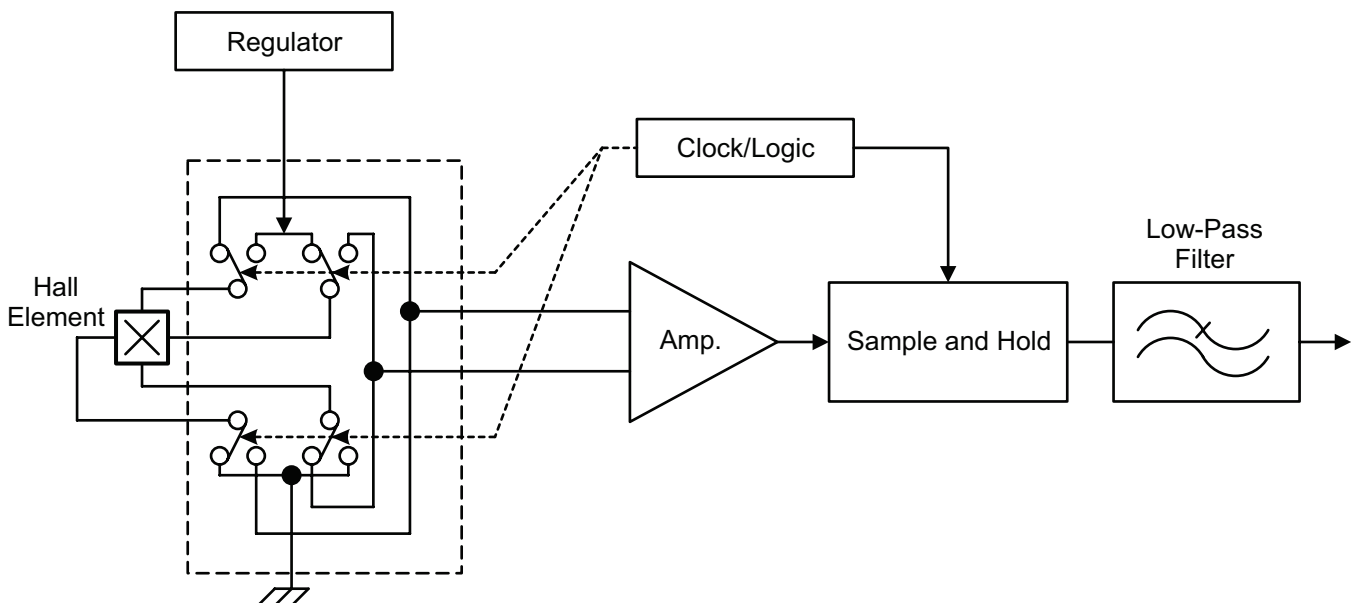


Figure 13: Model of Chopper Stabilization Circuit

POWER DERATING

The device must be operated below the maximum junction temperature of the device ($T_{J(max)}$). Under certain combinations of peak conditions, reliable operation may require derating supplied power or improving the heat dissipation properties of the application. This section presents a procedure for correlating factors affecting operating T_J . (Thermal data is also available on the Allegro MicroSystems website.)

The Package Thermal Resistance ($R_{\theta JA}$) is a figure of merit summarizing the ability of the application and the device to dissipate heat from the junction (die), through all paths to the ambient air. Its primary component is the Effective Thermal Conductivity (K) of the printed circuit board, including adjacent devices and traces. Radiation from the die through the device case ($R_{\theta JC}$) is a relatively small component of $R_{\theta JA}$. Ambient air temperature (T_A) and air motion are significant external factors, damped by overmolding.

The effect of varying power levels (Power Dissipation, P_D), can be estimated. The following formulas represent the fundamental relationships used to estimate T_J , at P_D .

$$P_D = V_{IN} \times I_{IN} \quad (1)$$

$$\Delta T = P_D \times R_{\theta JA} \quad (2)$$

$$T_J = T_A + \Delta T \quad (3)$$

For example, given common conditions such as: $T_A = 25^\circ C$, $V_{IN} = 12 V$, $I_{IN} = 5 mA$, and $R_{\theta JA} = 145^\circ C/W$, then:

$$P_D = V_{IN} \times I_{IN} = 12 V \times 5 mA = 60 mW$$

$$\Delta T = P_D \times R_{\theta JA} = 60 mW \times 145^\circ C/W = 8.7^\circ C$$

$$T_J = T_A + \Delta T = 25^\circ C + 8.7^\circ C = 33.7^\circ C$$

For 5 V $\pm 5\%$ systems, in diagnostic mode: $R_{\theta JA} = 145^\circ C/W$, $T_{J(max)} = 165^\circ C$, $V_{CC} = 5.25 V$, and $I_{CC(DIAG)max} = 25 mA$.

Calculate the maximum allowable power level with equation 1:

$$P_{D(max)} = V_{CC} \times I_{CC(DIAG)max} = 5.25 V \times 25 mA = 131.25 mW$$

Then determine the allowable increase to temperature with equation 2:

$$\Delta T_{max} = P_{D(max)} \times R_{\theta JA} = 131.25 mW \times 145^\circ C/W = 19^\circ C$$

Finally, inverting equation 3 results in the maximum ambient temperature:

$$T_{A(max)} = T_{J(max)} - \Delta T_{max} = 165^\circ C - 19^\circ C = 146^\circ C$$

A worst-case estimate, $P_{D(max)}$, represents the maximum allowable power level, without exceeding $T_{J(max)}$, at a selected $R_{\theta JA}$ and T_A .

Example: Reliability for V_{CC} at $T_A = 150^\circ C$, package LE, using a 4-layer PCB.

Observe the worst-case ratings for the device, specifically:

$$R_{\theta JA} = 145^\circ C/W, T_{J(max)} = 165^\circ C, V_{CC(max)} = 24 V, \text{ and } I_{CC(max)} = 5 mA.$$

Calculate the maximum allowable power level ($P_{D(max)}$). First, invert equation 3:

$$\Delta T_{max} = T_{J(max)} - T_A = 165^\circ C - 150^\circ C = 15^\circ C$$

This provides the allowable increase to T_J resulting from internal power dissipation. Then, invert equation 2:

$$P_{D(max)} = \Delta T_{max} \div R_{\theta JA} = 15^\circ C \div 145^\circ C/W = 103 mW$$

Finally, invert equation 1 with respect to voltage:

$$V_{CC(est)} = P_{D(max)} \div I_{CC(max)} = 103 mW \div 5 mA = 20.6 V$$

The result indicates that, at T_A , the application and device can dissipate adequate amounts of heat at voltages $\leq V_{CC(est)}$.

Compare $V_{CC(est)}$ to $V_{CC(max)}$. If $V_{CC(est)} \leq V_{CC(max)}$, then reliable operation between $V_{CC(est)}$ and $V_{CC(max)}$ requires enhanced $R_{\theta JA}$. If $V_{CC(est)} \geq V_{CC(max)}$, then operation between $V_{CC(est)}$ and $V_{CC(max)}$ is reliable under these conditions.

PACKAGE OUTLINE DRAWING

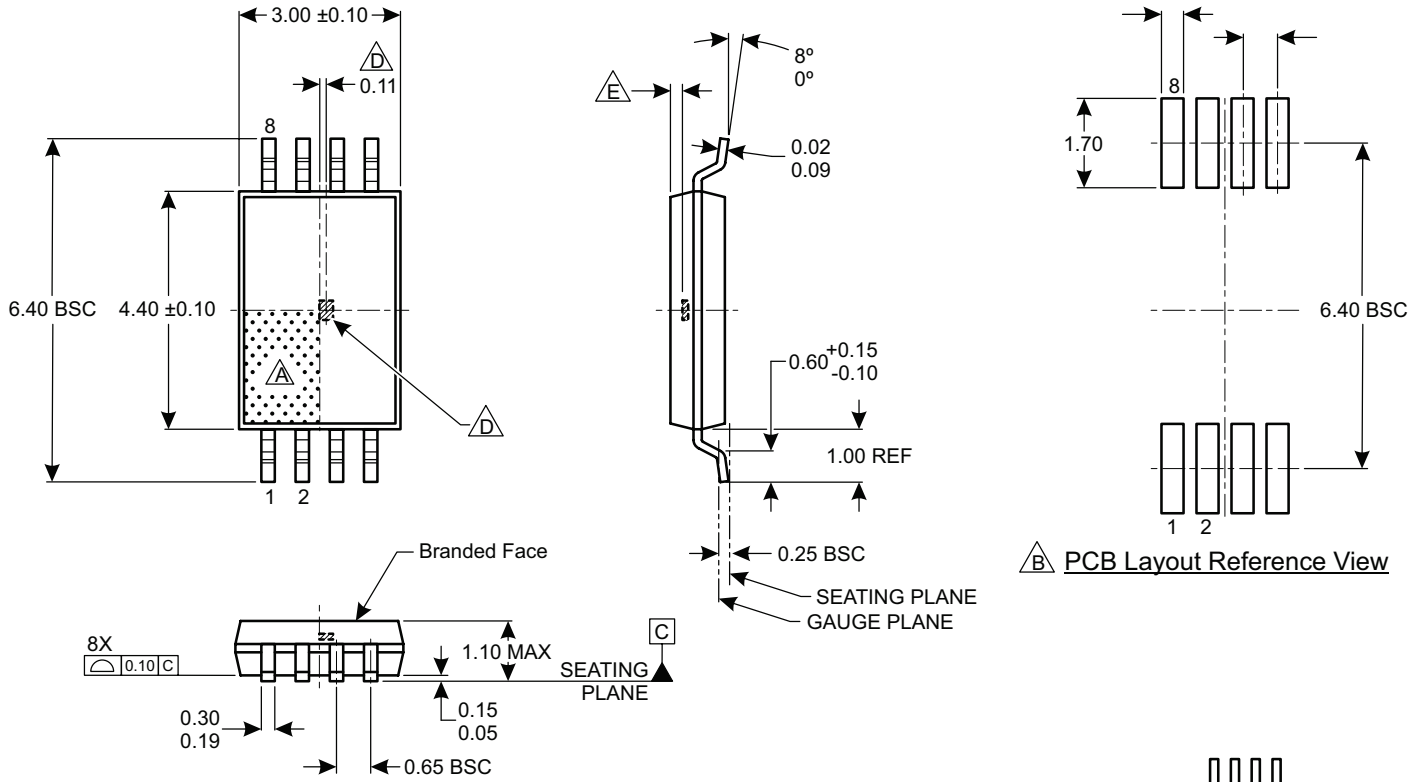
For Reference Only – Not for Tooling Use

(Reference MO-153 AA)

Dimensions in millimeters - NOT TO SCALE

Dimensions exclusive of mold flash, gate burrs, and dambar protrusions

Exact case and lead configuration at supplier discretion within limits shown



△ Terminal #1 mark area

△ Reference land pattern layout (reference IPC7351 SOP65P640X110-8M); all pads minimum of 0.20 mm from all adjacent pads; adjust as necessary to meet application process requirements and PCB layout tolerances; when mounting on a multilayer PCB, thermal vias can improve thermal dissipation (reference EIA/JEDEC Standard JESD51-5)

△ Branding scale and appearance at supplier discretion

△ Hall element, not to scale

△ Active Area Depth = 0.36 mm REF

△ Standard Branding Reference View

N = Last 3 digits of device part number
A = Supplier emblem
Y = Last two digits of year of manufacture
W = Week of manufacture

Figure 14: Package LE, 8-Pin eTSSOP

Revision History

Revision	Revision Date	Description of Revision
–	January 27, 2016	Initial Release
1	February 4, 2019	Minor editorial updates

Copyright ©2019, Allegro MicroSystems, LLC

Allegro MicroSystems, LLC reserves the right to make, from time to time, such departures from the detail specifications as may be required to permit improvements in the performance, reliability, or manufacturability of its products. Before placing an order, the user is cautioned to verify that the information being relied upon is current.

Allegro's products are not to be used in any devices or systems, including but not limited to life support devices or systems, in which a failure of Allegro's product can reasonably be expected to cause bodily harm.

The information included herein is believed to be accurate and reliable. However, Allegro MicroSystems, LLC assumes no responsibility for its use; nor for any infringement of patents or other rights of third parties which may result from its use.

Copies of this document are considered uncontrolled documents.

For the latest version of this document, visit our website:

www.allegromicro.com