



- 10 Gigabit for End-Span PoE+ applications with 720mA current capability.
- Designed to meet IEEE802.3at
- Operating Temperature Range: 0°C to +70°C
- Maximum Reflow Temp. 260°C/-5°C 2 Sec, reflow time is 20~40 sec.

Electrical Specifications @ 25°C

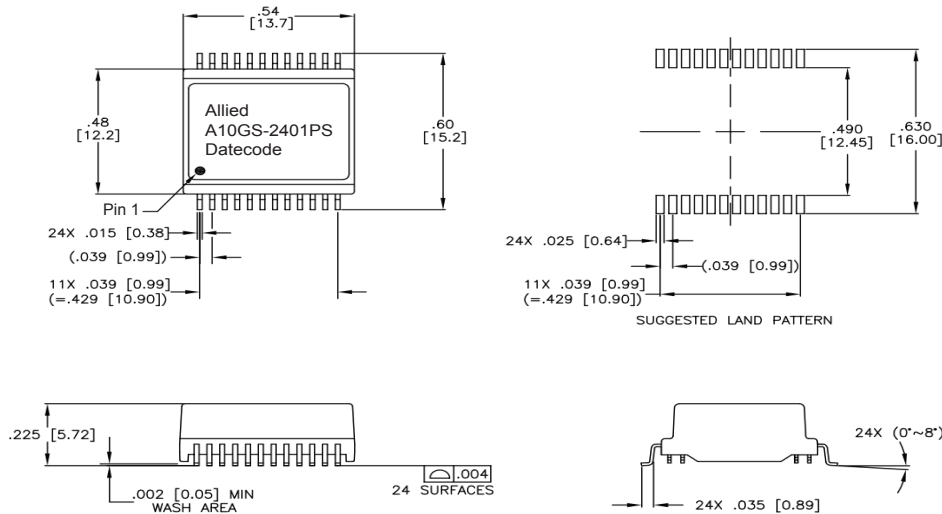
OCL(μH Min) @100KHzm 0.1V	Turns Ratio (±2%)	Return Loss @100Ω Load (dB Min)					
		1-40MHz	40-100MHz	100-200MHz	200-300MHz	300-400MHz	400-500MHz
120	1CT:1CT	-18.0	-13.1	-10.0	-8.3	-7.0	-6.1

Electrical Specifications @ 25°C

Insertion Loss (dB Max)			DCMR (dB Min)		Cross Talk (dB Min)		Isolation Hi-Pot (Vrms)
100KHz	1-400MHz	400-500MHz	1-250MHz	250-500MHz	1-100MHz	100-500MHz	
-3.0	-1.0	-2.0	-30	-22	-40	-30	1500

All specifications subject to change without notice.

MECHANICAL



DIMENSIONS ARE IN INCHES [MILLIMETERS] WITH THE FOLLOWING TOLERANCES: [MILLIMETERS] ARE FOR REFERENCE ONLY.
 .XX = ±.02 [±0.50]
 .XXX = ±.010 [±0.25]

SCHEMATICS

