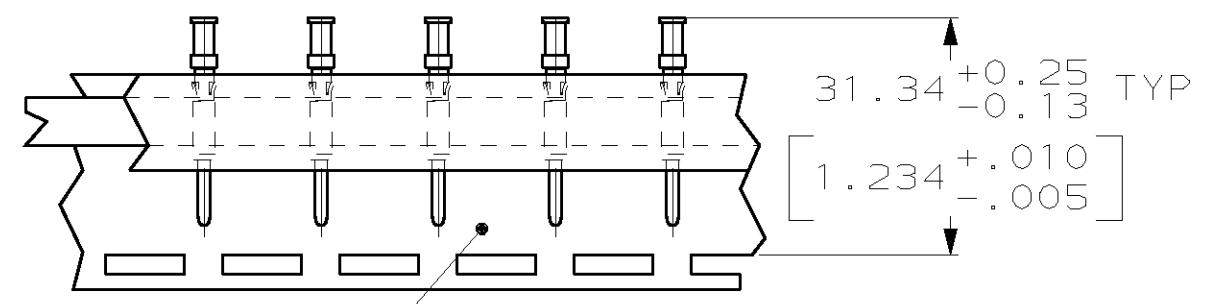
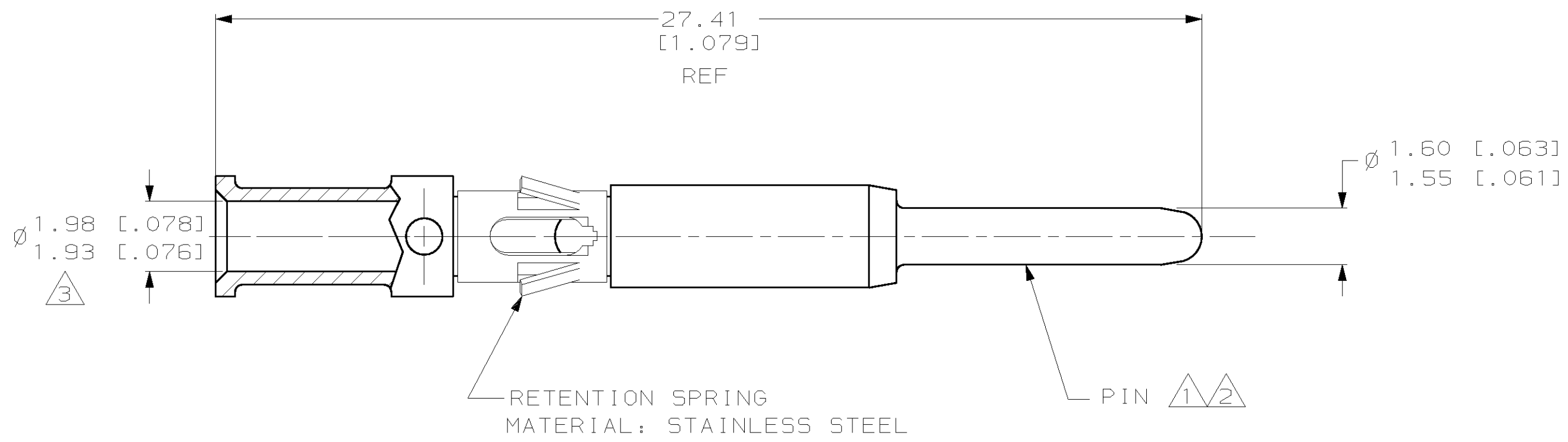


THIS DRAWING IS UNPUBLISHED. RELEASED FOR PUBLICATION, 19 .
 © COPYRIGHT 19 BY AMP INCORPORATED. ALL RIGHTS RESERVED.

LOC	DIST	REVISIONS			
P	LTR	DESCRIPTION	DATE	DWN	APVD
CH	11	D	ADDED -2	21/NOV/95	RNP PG
		E	MATERIAL Δ FINISH Δ	25/JUL/96	RNP PRG
		F	EC OB20-0724-97	10/JUN/97	RNP RAR
		G	EC OB20-0852-98	09/JUL/98	RNP RAR

- Δ 1 MATERIAL: COPPER ALLOY
- Δ 2 FINISH: 200 μ INCH MIN SILVER OVER 50 μ INCH MIN. NICKEL
- Δ 3 WIRE BARREL WILL ACCEPT #14AWG WIRE
- Δ 4 WHEN ORDERING CONTACT ASSEMBLIES ON TAPE, ORDER BY PART NUMBER PLUS THE PACKAGING CODE AS FOLLOWS:
 A. 5000 PARTS PER REEL ADD PACKAGING CODE: 5MREEL
 I.E. ORDER # 193844-2, 5MREEL



MYLAR TAPE
 TAPE MTG DETAIL Δ 4
 193844-2 ONLY

Δ 4	TAPE MTG (SEE DETAIL)	193844-2
	STANDARD	193844-1
	PACKAGING TYPE	PART NO

THIS DRAWING IS A CONTROLLED DOCUMENT FOR AMP INCORPORATED. IT IS SUBJECT TO CHANGE AND THE CONTROLLING ENGINEERING ORGANIZATION SHOULD BE CONTACTED FOR THE LATEST REVISION.		DWN	14/OCT/94	AMP AMP Incorporated Harrisburg, PA 17105-3608		
		CHK	CRAIG M. SVOBODA 16/MAY/94			
DIMENSIONS: mm [in]		APVD	16/MAY/94	NAME PIN, ϕ .062, #14 AWG HIGH CURRENT TYPE II/III+		
TOLERANCES UNLESS OTHERWISE SPECIFIED: 0 PLC \pm - 1 PLC \pm .3 [.01] 2 PLC \pm .13 [.005] 3 PLC \pm - 4 PLC \pm - ANGLES \pm - FINISH		PRODUCT SPEC	-			
MATERIAL	Δ 1	APPLICATION SPEC	-	SIZE	CAGE CODE	DRAWING NO
		WEIGHT	-	A3	00779	C=193844
		CUSTOMER DRAWING		SCALE	SHEET	1 OF 1
						REV G