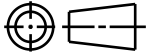
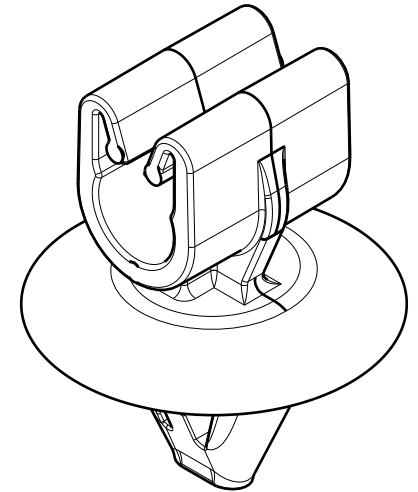
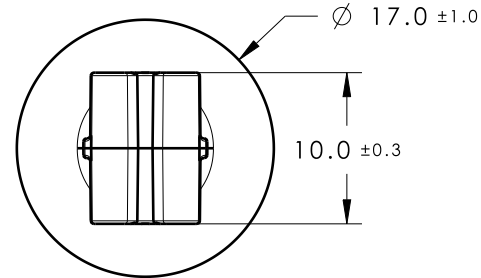


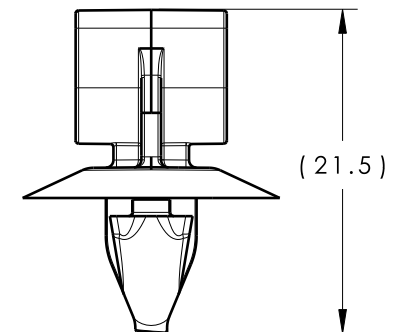
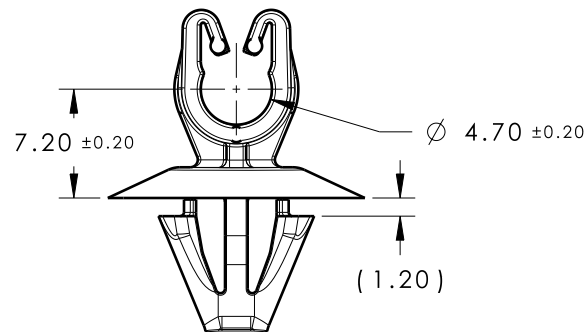
CATIA V5



Revision Level			Revision Record	Changed	Date	Approved	Date
Drawing	State	Part					
00.1	Design Release		SEE ECN# 013723	TAT	02/15/17	KVH	02/15/17



ISOMETRIC VIEW  
SCALE 3:1



PERFORMANCE REQUIREMENTS:

1. PUSH IN FORCE: 45 NEWTONS (10 LBS) MAX IN THE APPLICABLE NOMINAL HOLE SIZE AND A PLATE THICKNESS OF 1.4mm.
2. PULL OUT FORCE: 110 NEWTONS (25 LBS) MIN IN THE APPLICABLE NOMINAL HOLE SIZE AND A PLATE THICKNESS OF 1.8mm.
3. SHEET METAL THICKNESS RANGE: 1.20mm - 1.60mm
4. APPLICABLE HOLE SIZE:
  - A. 6.50mm +/- 0.4
  - B. 6.35mm HEX +/- 0.25

NOTES:

1. MAXIMUM PERCENT REGRIND PERMISSIBLE: TBD%
2. MAX ALLOWABLE FLASH OR MISMATCH TO BE 1MM

Material PA66HIRHS COLOR: BLACK	Units	millimeters	Drawn	TAT	02/01/17	Article/Type-No	PC5AH6.5	Scale	2:1
	Tolerance defined on each dimension	The copyright of this drawing is reserved by HellermannTyton. It is issued on condition that it is not reproduced, copied or disclosed to a third party, either wholly or in part, without the consent of HellermannTyton.	Approved	KVH	02/02/17	Title	4.7MM CLIP WITH 6.5AH	Project Number	17-0126
			<b>HellermannTyton</b>			Drawing-No	PROTOTYPE : Phase	Format	AH
			North America Email: corp@htamericas.com Web: www.hellermann.tyton.com			<b>17-0126-002-CSU</b>		Sheet	1/1