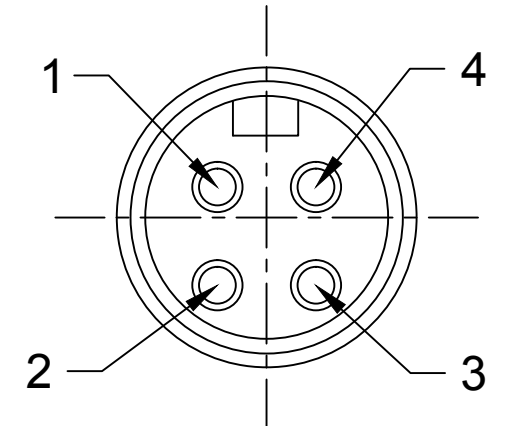
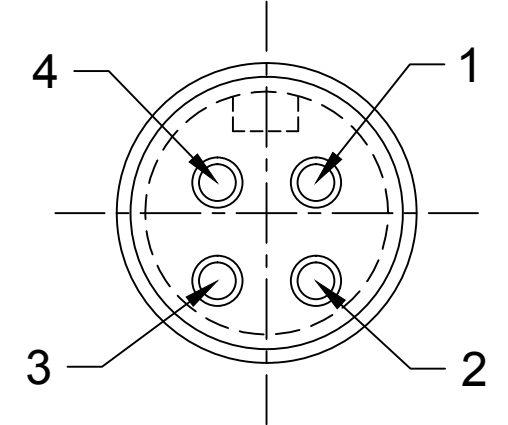


FACE VIEW-MALE INSERT



BACK VIEW-MALE INSERT

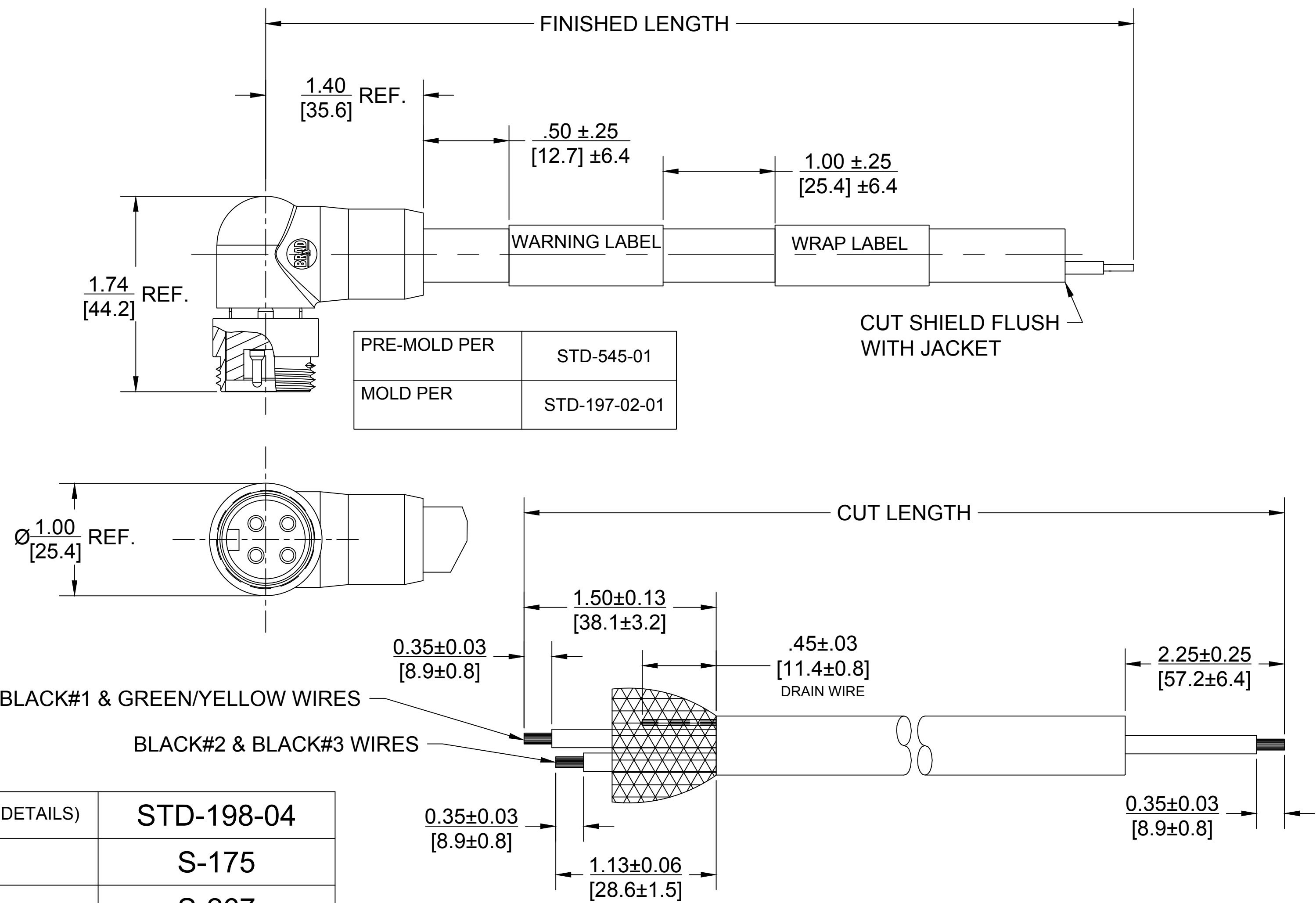


- 1 BLACK#1
- 2 BLACK#2
- 3 BLACK#3
- 4 GREEN/YELLOW

NOTES

| | |
|--|-------------------|
| 1 PREPARE CABLE PER (SEE PRINT FOR EXTRA DETAILS) | STD-198-04 |
| 2 CABLE LENGTH TOLERANCES PER | S-175 |
| 3 CRIMP CONTACTS PER | S-267 |
| 4 APPLY WARNING LABEL 31-5561-01 AS SHOWN IN THE PRINT | |
| 5 APPLY ADHESIVE PER | S-136 |
| 6 TEST PER | S-165 |
| 7 MARK LABEL PER | S-189 |
| 8 PACKAGE PER | S-167 |
| 9 INSTRUCTIONS PER | S-208 |

| SAP P/N # | ENGINEERING P/N | FINISHED LENGTH |
|------------|-----------------|---------------------------------|
| 1300090835 | 104S07D27M0403 | 4M +165.1mm-0 (157.48" +6.5"-0) |
| 1300090836 | 104S07D27M0503 | 5M +165.1mm-0 (196.85" +6.5"-0) |



BLACK#1 & GREEN/YELLOW WIRES

BLACK#2 & BLACK#3 WIRES

| | |
|--------------------------|-------------|
| ADDED DIM. TO DRAIN WIRE | REV |
| EC NO.: IPG2016-0121 | DESCRIPTION |
| DRWN: BARDEN 2015/07/24 | |
| CHKD: --- | |
| APPR: KJOZWIK 2015/06/29 | |

| | |
|----------------|-----|
| QUALITY SYMBOL | ▽=0 |
| | ∇=0 |

| | GENERAL TOLERANCES (UNLESS SPECIFIED) | |
|----------|---------------------------------------|-------|
| | mm | INCH |
| 4 PLACES | ±--- | ±--- |
| 3 PLACES | ±--- | ±.005 |
| 2 PLACES | ±0.13 | ±.010 |
| 1 PLACE | ±0.25 | ±.020 |

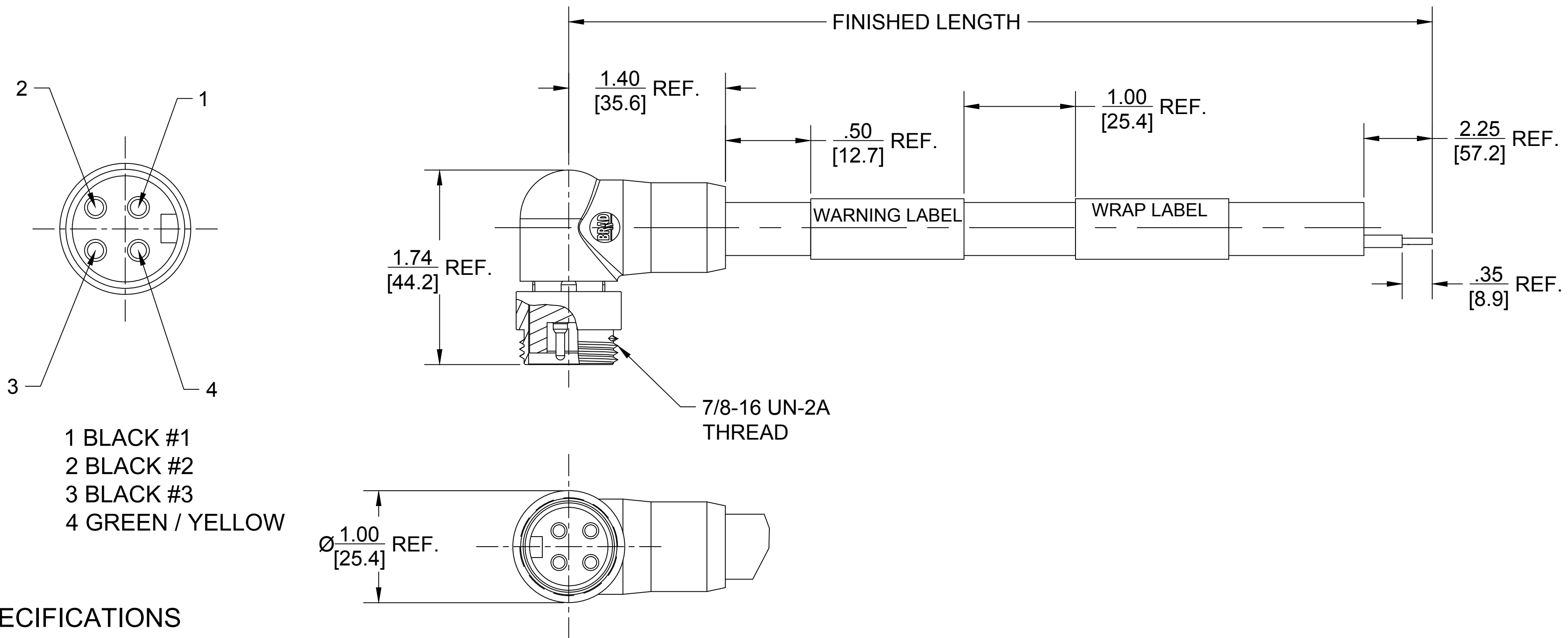
ANGULAR ±.5°

DRAFT WHERE APPLICABLE MUST REMAIN WITHIN DIMENSIONS

| DIMENSION STYLE | | SCALE | DESIGN UNITS | THIRD ANGLE PROJECTION |
|-----------------|------------|-------|--------------|------------------------|
| IN/[MM] | | NTS | INCH | |
| DRAWN BY | DATE | | | |
| MZIELINS | 2015/06/22 | | | |
| CHECKED BY | DATE | | | |
| BARDEN | 2015/06/26 | | | |
| APPROVED BY | DATE | | | |
| BWOODMAN | 2015/06/29 | | | |

| | | |
|---|---|---------------------|
| TITLE | MINI CHANGE ASSEMBLY 4 P MALE 90 360 SHIELD 16 AWG VFD, BLACK PVC | |
| MATERIAL NO. | SEE TABLE | |
| DOCUMENT NO. | E-130009-150 | SHEET NO. 1 OF 1 |
| THIS DRAWING CONTAINS INFORMATION THAT IS PROPRIETARY TO MOLEX INCORPORATED AND SHOULD NOT BE USED WITHOUT WRITTEN PERMISSION | | |

| SAP P/N # | ENGINEERING P/N | FINISHED LENGTH |
|------------|-----------------|---------------------------------|
| 1300090835 | 104S07D27M0403 | 4M +165.1mm-0 (157.48" +6.5"-0) |
| 1300090836 | 104S07D27M0503 | 5M +165.1mm-0 (196.85" +6.5"-0) |



- 1 BLACK #1
- 2 BLACK #2
- 3 BLACK #3
- 4 GREEN / YELLOW

SPECIFICATIONS

MATERIALS:

COUPLING NUT: BRASS, NICKEL PLATED
 CONTACTS: COPPER ALLOY, GOLD PLATED
 INSERT: PVC, BLACK
 OVERMOLD: PBT, GRAY
 CABLE: 16/4 VFD PVC JACKET, BLACK
 WRAP LABEL: VINYL, BLACK/YELLOW
 WARNING LABEL VINYL, BLACK/ORANGE

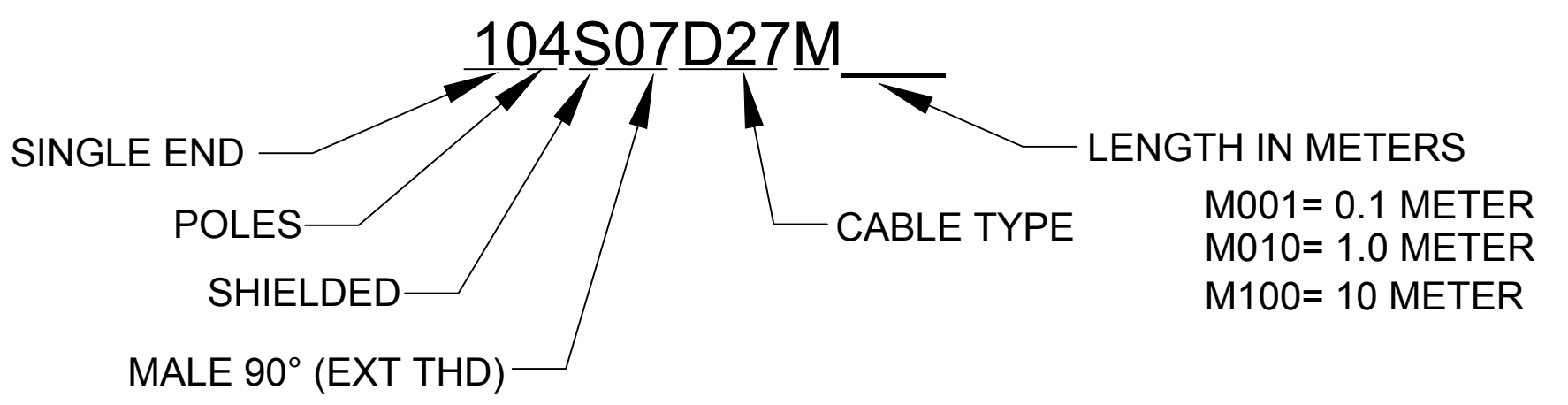
ELECTRICAL:

CURRENT RATING: 10A
 VOLTAGE: 600V AC/DC

MECHANICAL:

TEMPERATURE RATING: -40°C TO 90°C
 PROTECTION: IP67 (IN FULLY MATED POSITION)

ENGINEERING NUMBER LEGEND



| | | | | | | | | | | | |
|---|--|----------------|---------------------------------------|------------|---|------------|-------------------------------------|---|------------------------|--|------------------|
| INITIAL RELEASE EC NO.: IPG2015-2162 DRWN: BARDEN 2015/06/15 CH'KD: MZIELINS 2015/06/26 APPR: BWOODMAN 2015/06/29 | DESCRIPTION A | QUALITY SYMBOL | GENERAL TOLERANCES (UNLESS SPECIFIED) | | DIMENSION STYLE IN/[MM] | | SCALE NTS | DESIGN UNITS INCH | THIRD ANGLE PROJECTION | | |
| | | ▽=0 | mm | INCH | DRAWN BY | DATE | TITLE | MINI CHANGE ASSEMBLY 4 P MALE 90 360 SHIELD 16 AWG VFD, BLACK PVC | | | |
| | | ∇=0 | 4 PLACES ±--- | ±--- | BARDEN | 2015/06/15 | MOLEX INCORPORATED SD-130009-150 | | | | |
| | | | 3 PLACES ±--- | ±.005 | CHECKED BY | DATE | | | | | SHEET NO. 1 OF 1 |
| | 2 PLACES ±0.13 | ±.010 | MZIELINS | 2015/06/26 | THIS DRAWING CONTAINS INFORMATION THAT IS PROPRIETARY TO MOLEX INCORPORATED AND SHOULD NOT BE USED WITHOUT WRITTEN PERMISSION | | | | | | |
| | 1 PLACE ±0.25 | ±.020 | APPROVED BY | DATE | | | | | SEE TABLE | | |
| | ANGULAR ±.5° | | BWOODMAN | 2015/06/29 | MATERIAL NO. SEE TABLE | | | | | | |
| | DRAFT WHERE APPLICABLE MUST REMAIN WITHIN DIMENSIONS | | | | | | | | SIZE C | | |