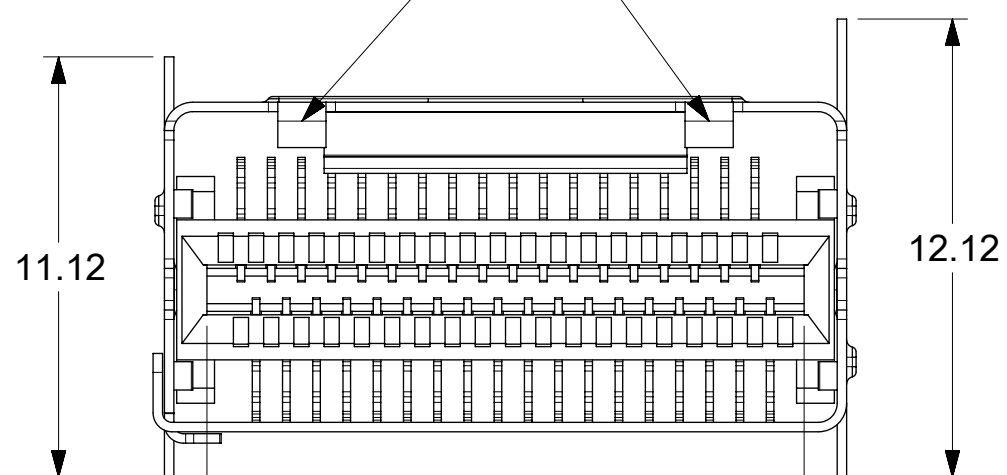
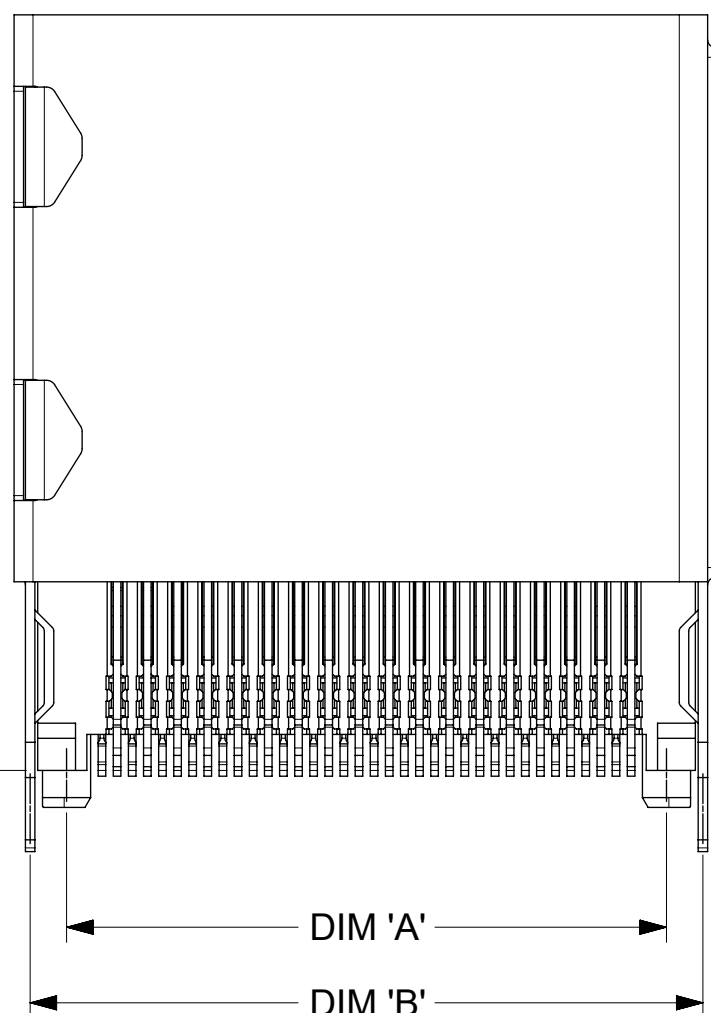


SMT

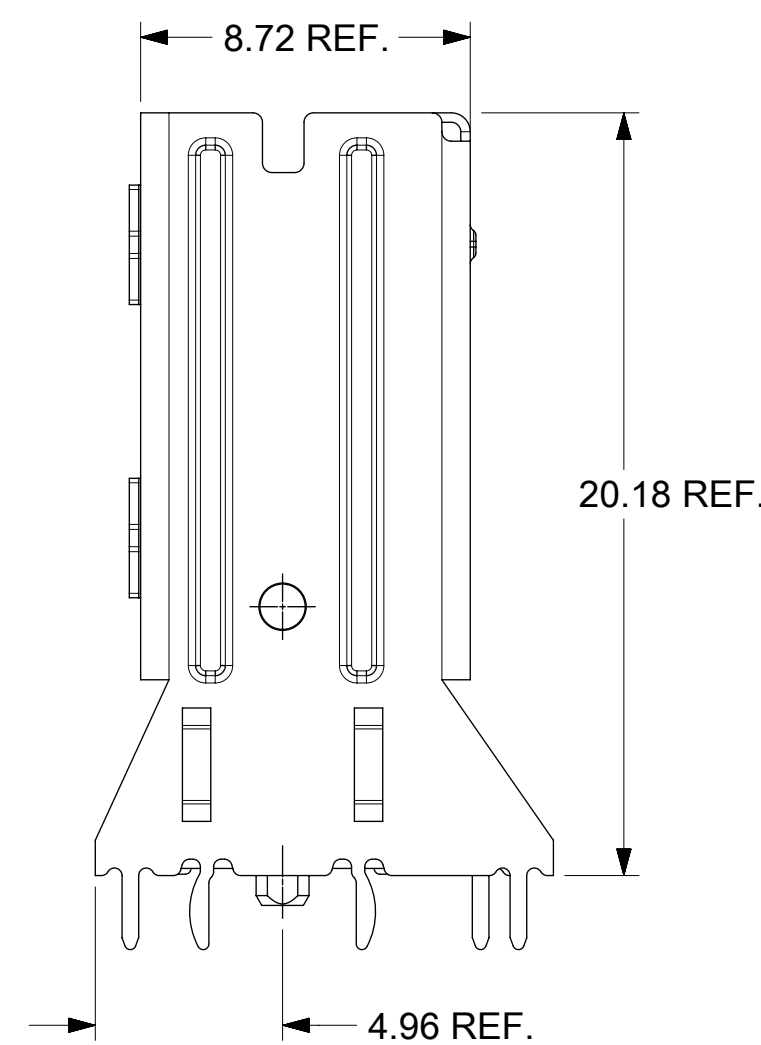
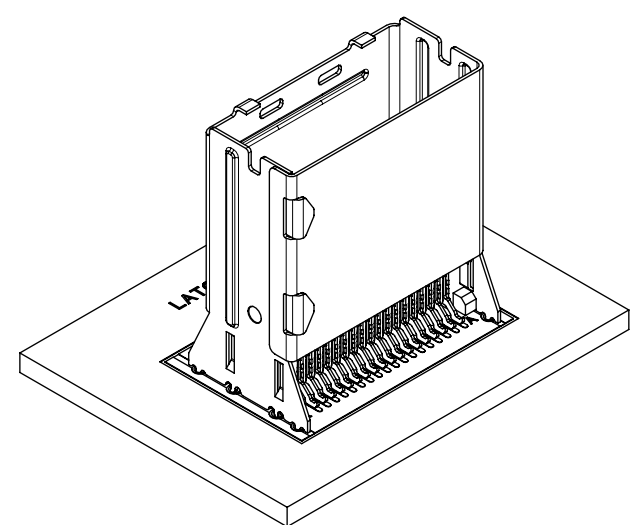
KEY LOCATIONS



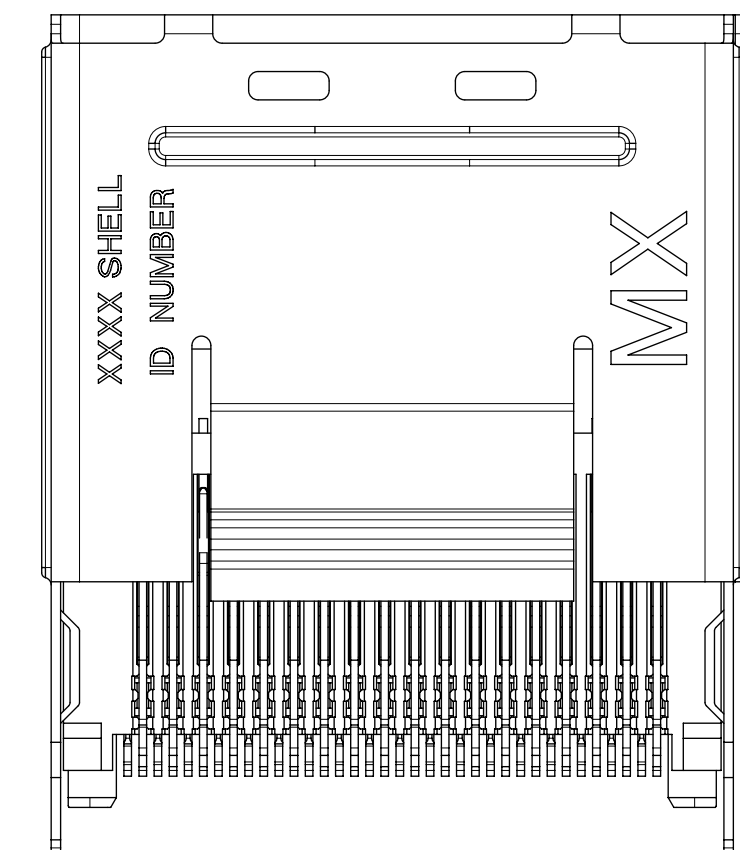
DIM 'C'



SEE NOTE 3



36 CIRCUIT RETENTION FIT SHELL OPTION SHOWN



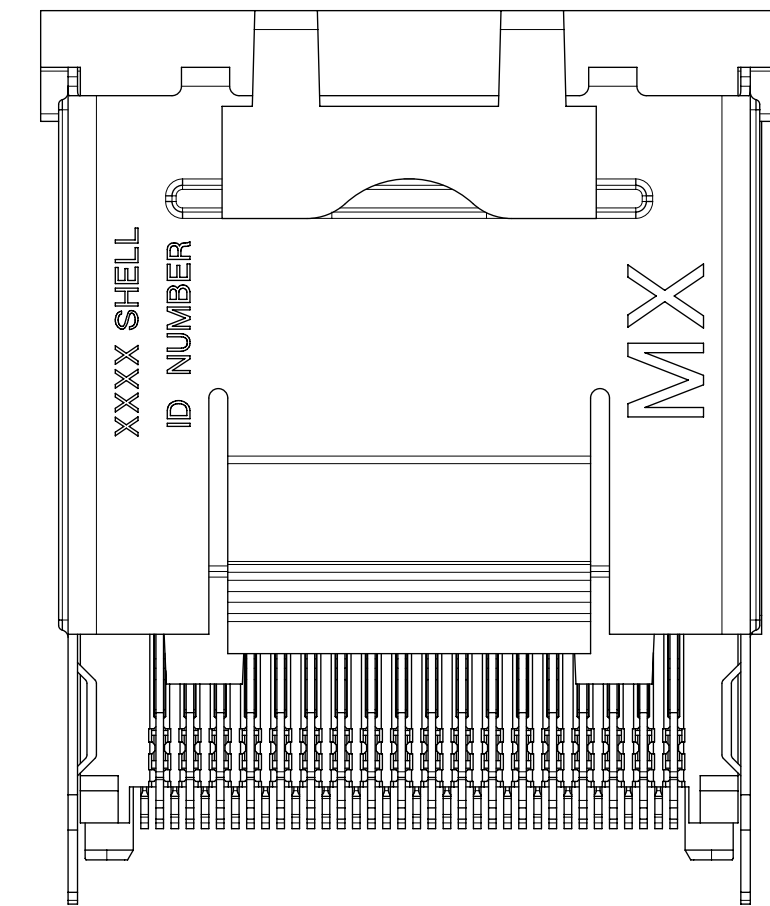
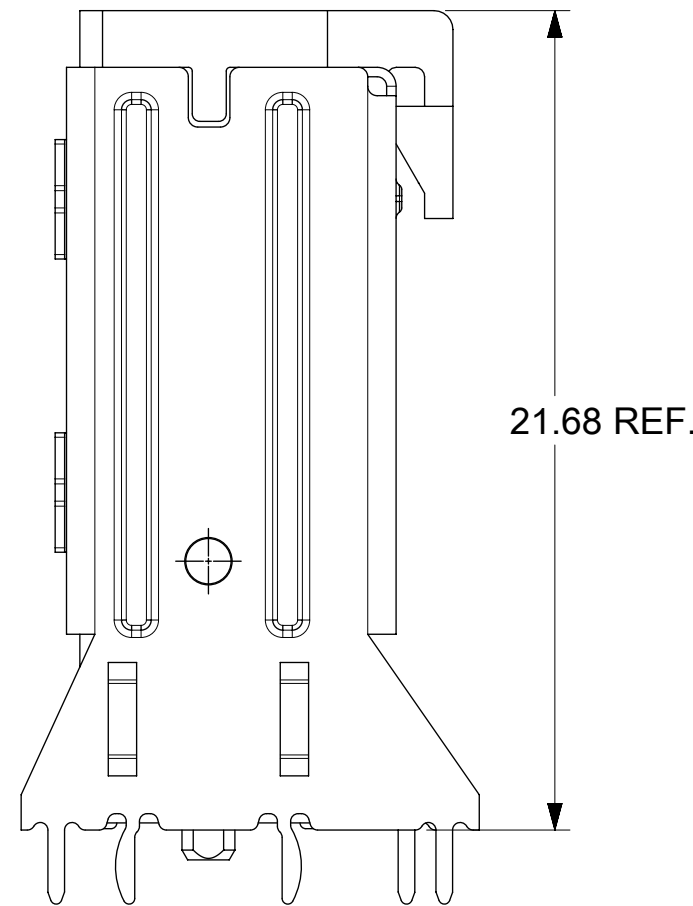
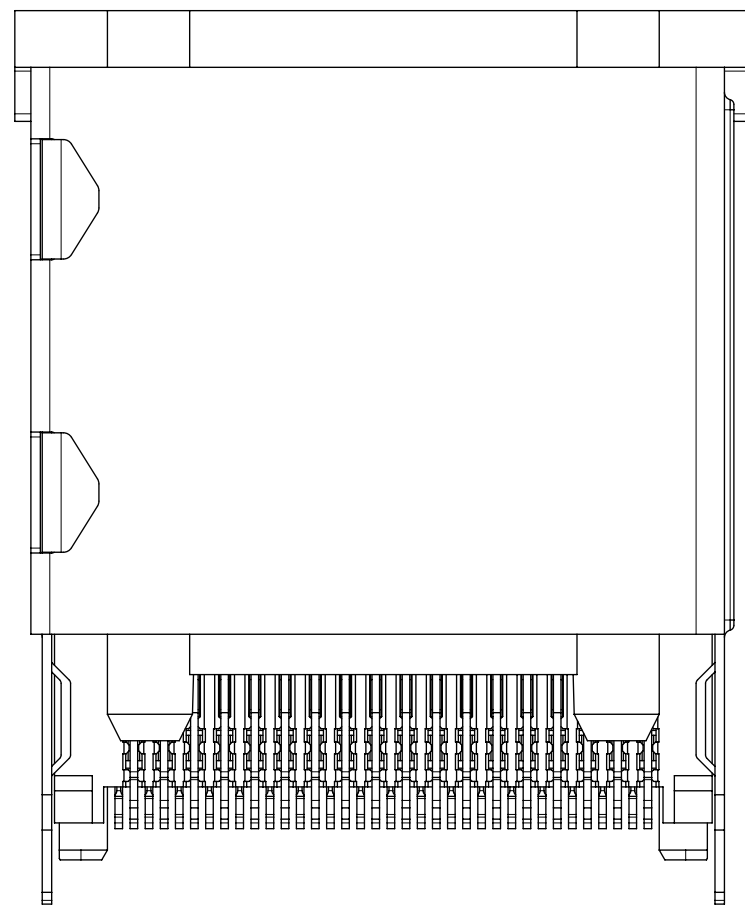
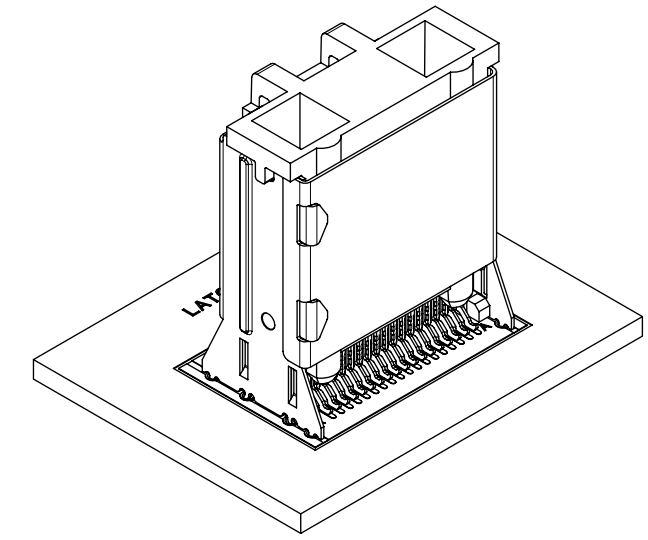
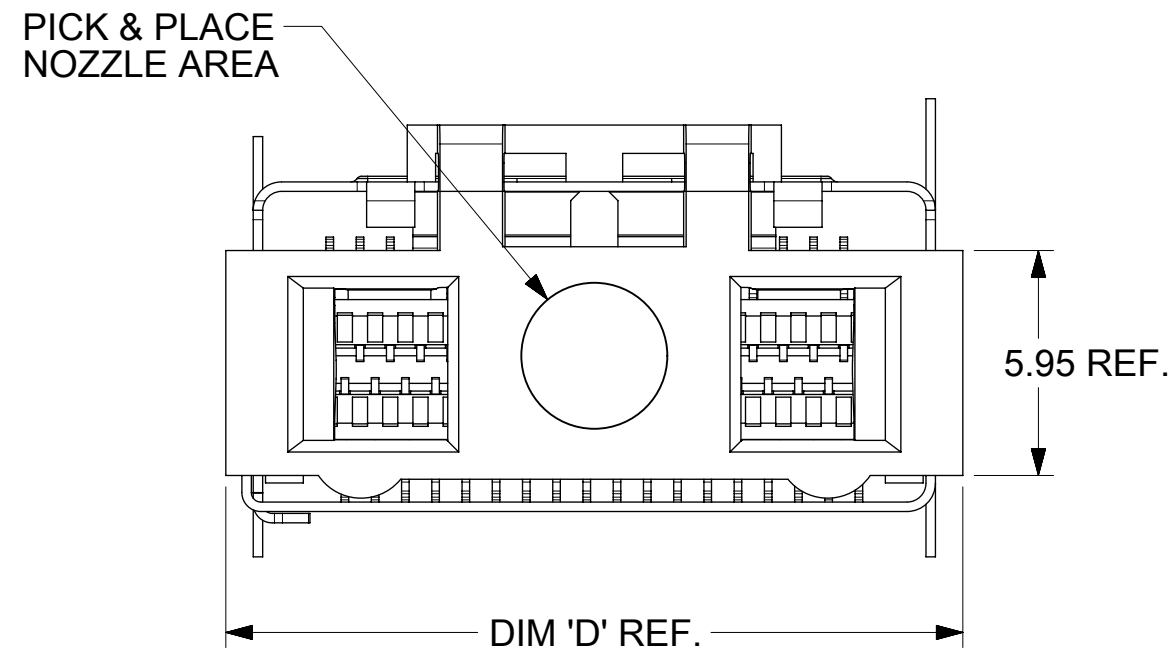
- NOTES:
- MATERIAL:
    - CONNECTOR: HOUSING - HIGH TEMPERATURE THERMOPLASTIC GLASS FILLED, UL 94V-0, BLACK
    - TERMINALS - COPPER ALLOY
    - SHELL: NICKEL SILVER, C770, THICKNESS: 0.250/0.254
  - FINISH:
    - CONNECTOR OPTION 1: CONTACT AREA - 0.38µm MIN GOLD OVER 2.54 µm NICKEL; SOLDER FOOT AREA - 2.54-5.09µm TIN OVER 1.27 µm NICKEL
    - CONNECTOR OPTION 2: CONTACT AREA - 0.76µm MIN GOLD OVER 2.54 µm NICKEL; SOLDER FOOT AREA - 2.54-5.09µm TIN OVER 1.27 µm NICKEL
  - TERMINAL SOLDER FEET TO BE COPLANAR WITHIN 0.10 MEASURED FROM DATUM E
  - DATE CODE: 4 DIGIT (3 DIGIT DAY, 1 DIGIT YEAR) ON CONNECTOR ONLY
  - CIRCUIT IDENTIFIER: SEE APPROPRIATE INDUSTRY SPECIFICATION FOR LOCATION OF PIN 1
  - TO BE USED WITH THE FOLLOWING CABLE SERIES: 79575/74563/79576/74573/79536/74562/74569/74586
  - PACKAGED PER PACKAGING SPECIFICATION: PK-75783-001
  - CONFORMS TO PRODUCT SPECIFICATION: PS-75783-001
  - PROCESS PER APPLICATION SPECIFICATION: AS-75783-001
  - THIS PART CONFORMS TO CLASS C REQUIREMENTS OF COSMETIC SPEC PS-45499-002

CIRCUIT SIZE	DIM 'A'	DIM 'B'	DIM 'C'
26	12.00	13.80	11.80
36	16.00	17.80	15.80
50	21.60	23.40	21.40
68	28.80	30.60	28.60

iPass™ IS A TRADEMARK OF MOLEX

SYMBOLS		THIS DRAWING CONTAINS INFORMATION THAT IS PROPRIETARY TO MOLEX ELECTRONIC TECHNOLOGIES, LLC AND SHOULD NOT BE USED WITHOUT WRITTEN PERMISSION		CURRENT REV DESC: MIGRATED TO NX			
▽ = 0	mm	SCALE	5:1	GENERAL TOLERANCES (UNLESS SPECIFIED)			
▽ = 0	4 PLACES	ANGULAR TOL	± 0.5°	EC NO: 666196		I-PASS VERT CONNECTOR	
▽ = 0	3 PLACES			DRWN: BBEGALIMADHU 2018/03/05		INTERNAL ASSY W/SHELL 0.8MM PITCH I/O	
▽ = 0	2 PLACES			CHK'D: JKACHLIC 2021/06/21		PRODUCT CUSTOMER DRAWING	
▽ = 0	1 PLACE			APPR: JKACHLIC 2021/06/21		DOCUMENT NUMBER	
▽ = 0	0 PLACES			INITIAL REVISION:		DOC TYPE	
□ = 0	DRAFT WHERE APPLICABLE MUST REMAIN WITHIN DIMENSIONS	THIRD ANGLE PROJECTION	DRAWING	SERIES	DRWN: KLANG 2005/04/15	DOC PART	
□ = 0					APPR: RNELSON 2005/04/18	REVISION	
						SD-75784-001	
						PSD 001 D5	
						SHEET NUMBER	
						1 OF 13	

# ASSEMBLY WITH PRE-POSITIONING DEVICE



36 CIRCUIT RETENTION FIT SHOWN

**NOTES:**

1. PICK AND PLACE LOCATION DEFINED ON APPLICATION SPECIFICATION AS-75783-001
2. PACKAGING CONSISTS OF CONNECTOR AND SHELL WITH A PRE-POSITIONING PICK AND PLACE DEVICE THAT ARE PACKAGED IN "TAPE AND REEL" FOR ROBOTIC PICK AND PLACE.

iPass™ IS A TRADEMARK OF MOLEX

CIRCUIT SIZE	DIM 'D'
26	15.50
36	19.50
50	25.10
68	32.30

SYMBOLS		THIS DRAWING CONTAINS INFORMATION THAT IS PROPRIETARY TO MOLEX ELECTRONIC TECHNOLOGIES, LLC AND SHOULD NOT BE USED WITHOUT WRITTEN PERMISSION		CURRENT REV DESC: MIGRATED TO NX	
DIMENSION UNITS	SCALE				
= 0	mm	5:1			
= 0	GENERAL TOLERANCES (UNLESS SPECIFIED)				
= 0	ANGULAR TOL ± 0.5°				
= 0	4 PLACES ±				
= 0	3 PLACES ±				
= 0	2 PLACES ± 0.13				
= 0	1 PLACE ± 0.25				
= 0	0 PLACES ±				
= 0	DRAFT WHERE APPLICABLE MUST REMAIN WITHIN DIMENSIONS				
		THIRD ANGLE PROJECTION	DRAWING	SERIES	
			C-SIZE	75784	
		EC NO: 666196		2018/03/05	
		DRWN: BBEGALIMADHU		2021/06/21	
		CHK'D: JKACHLIC		2021/06/21	
		APPR: JKACHLIC		2021/06/21	
		INITIAL REVISION:			
		DRWN: KLANG		2005/04/15	
		APPR: RNELSON		2005/04/18	
DOCUMENT STATUS		DOC TYPE	DOC PART	REVISION	
P1	RELEASE DATE	PSD	001	D5	
2021/06/21	03:48:56	MATERIAL NUMBER		SHEET NUMBER	
		SEE CHART		2 OF 13	
		CUSTOMER			
		GENERAL MARKET			





# 26 CIRCUIT ITEM NUMBERS

CIRCUIT SIZE	ITEM NUMBER	PLATING OPTION	SHELL PCB OPTION	SHELL KEY OPTION
26	75784-0007	OPTION 1	RETENTION	LEFT
26	75784-0008	OPTION 1	RETENTION	RIGHT
26	75784-0012	OPTION 1	SMT	DUAL
26	75784-0019	OPTION 2	RETENTION	LEFT
26	75784-0020	OPTION 2	RETENTION	RIGHT
26	75784-0021	OPTION 2	RETENTION	DUAL
26	75784-0022	OPTION 2	SMT	LEFT
26	75784-0023	OPTION 2	SMT	RIGHT
26	75784-0024	OPTION 2	SMT	DUAL
26	75784-0025	OPTION 1	RETENTION	UNIVERSAL
26	75784-0026	OPTION 1	SMT	UNIVERSAL
26	75784-0028	OPTION 2	SMT	UNIVERSAL
26	75784-0029	OPTION 1	T/H 1.96	LEFT
26	75784-0030	OPTION 1	T/H 1.96	RIGHT
26	75784-0031	OPTION 1	T/H 1.96	DUAL
26	75784-0032	OPTION 1	T/H 1.96	UNIVERSAL
26	75784-0033	OPTION 2	T/H 1.96	LEFT
26	75784-0034	OPTION 2	T/H 1.96	RIGHT
26	75784-0035	OPTION 2	T/H 1.96	DUAL

CIRCUIT SIZE	ITEM NUMBER	PLATING OPTION	SHELL PCB OPTION	SHELL KEY OPTION
26	75784-0037	OPTION 1	T/H 2.79	LEFT
26	75784-0038	OPTION 1	T/H 2.79	RIGHT
26	75784-0039	OPTION 1	T/H 2.79	DUAL
26	75784-0040	OPTION 1	T/H 2.79	UNIVERSAL
26	75784-0041	OPTION 2	T/H 2.79	LEFT
26	75784-0042	OPTION 2	T/H 2.79	RIGHT
26	75784-0043	OPTION 2	T/H 2.79	DUAL
26	75784-0045	OPTION 1	T/H 3.18	LEFT
26	75784-0046	OPTION 1	T/H 3.18	RIGHT
26	75784-0047	OPTION 1	T/H 3.18	DUAL
26	75784-0048	OPTION 1	T/H 3.18	UNIVERSAL
26	75784-0049	OPTION 2	T/H 3.18	LEFT
26	75784-0050	OPTION 2	T/H 3.18	RIGHT
26	75784-0051	OPTION 2	T/H 3.18	DUAL
26	75784-0052	OPTION 2	T/H 3.18	UNIVERSAL

iPass™ IS A TRADEMARK OF MOLEX

THIS DRAWING CONTAINS INFORMATION THAT IS PROPRIETARY TO MOLEX ELECTRONIC TECHNOLOGIES, LLC AND SHOULD NOT BE USED WITHOUT WRITTEN PERMISSION													
<b>SYMBOLS</b> ▽ = 0 ▽ = 0 ▽ = 0 ▽ = 0 ▽ = 0 ▽ = 0 ▽ = 0 ▽ = 0 ▽ = 0 ▽ = 0 ▽ = 0	DIMENSION UNITS	SCALE	CURRENT REV DESC: MIGRATED TO NX						 I-PASS VERT CONNECTOR INTERNAL ASSY W/SHELL 0.8MM PITCH I/O				
	mm	1:1	GENERAL TOLERANCES (UNLESS SPECIFIED)										
	ANGULAR TOL ± 0.5°			EC NO: 666196			DRWN: BBEGALIMADHU 2018/03/05			PRODUCT CUSTOMER DRAWING DOCUMENT NUMBER: <b>SD-75784-001</b> DOC TYPE: PSD    DOC PART: 001    REVISION: D5			
	4 PLACES ±			CHK'D: JKACHLIC 2021/06/21			APPR: JKACHLIC 2021/06/21						
3 PLACES ±			INITIAL REVISION:			DRWN: KLANG 2005/04/15			MATERIAL NUMBER: SEE CHART    CUSTOMER: GENERAL MARKET    SHEET NUMBER: 5 OF 13				
2 PLACES ± 0.13			APPR: RNELSON 2005/04/18			SERIES: 75784							
1 PLACE ± 0.25			DRAFT WHERE APPLICABLE MUST REMAIN WITHIN DIMENSIONS			THIRD ANGLE PROJECTION			DRAWING: C-SIZE				
0 PLACES ±			DRAFT WHERE APPLICABLE MUST REMAIN WITHIN DIMENSIONS			DRAWING: C-SIZE			SERIES: 75784				

# 36 CIRCUIT ITEM NUMBERS

CIRCUIT SIZE	ITEM NUMBER	PLATING OPTION	SHELL PCB OPTION	SHELL KEY OPTION
36	75784-0107	OPTION 1	RETENTION	LEFT
36	75784-0108	OPTION 1	RETENTION	RIGHT
36	75784-0109	OPTION 1	RETENTION	DUAL
36	75784-0110	OPTION 1	SMT	LEFT
36	75784-0111	OPTION 1	SMT	RIGHT
36	75784-0112	OPTION 1	SMT	DUAL
36	75784-0119	OPTION 2	RETENTION	LEFT
36	75784-0120	OPTION 2	RETENTION	RIGHT
36	75784-0121	OPTION 2	RETENTION	DUAL
36	75784-0125	OPTION 1	RETENTION	UNIVERSAL
36	75784-0126	OPTION 1	SMT	UNIVERSAL
36	75784-0127	OPTION 2	RETENTION	UNIVERSAL
36	75784-0130	OPTION 1	T/H 1.96	RIGHT
36	75784-0131	OPTION 1	T/H 1.96	DUAL
36	75784-0132	OPTION 1	T/H 1.96	UNIVERSAL
36	75784-0135	OPTION 2	T/H 1.96	DUAL
36	75784-0136	OPTION 2	T/H 1.96	UNIVERSAL

CIRCUIT SIZE	ITEM NUMBER	PLATING OPTION	SHELL PCB OPTION	SHELL KEY OPTION
36	75784-0137	OPTION 1	T/H 2.79	LEFT
36	75784-0138	OPTION 1	T/H 2.79	RIGHT
36	75784-0139	OPTION 1	T/H 2.79	DUAL
36	75784-0140	OPTION 1	T/H 2.79	UNIVERSAL
36	75784-0141	OPTION 2	T/H 2.79	LEFT
36	75784-0142	OPTION 2	T/H 2.79	RIGHT
36	75784-0143	OPTION 2	T/H 2.79	DUAL
36	75784-0144	OPTION 2	T/H 2.79	UNIVERSAL
36	75784-0145	OPTION 1	T/H 3.18	LEFT
36	75784-0146	OPTION 1	T/H 3.18	RIGHT
36	75784-0147	OPTION 1	T/H 3.18	DUAL
36	75784-0148	OPTION 1	T/H 3.18	UNIVERSAL
36	75784-0149	OPTION 2	T/H 3.18	LEFT
36	75784-0150	OPTION 2	T/H 3.18	RIGHT
36	75784-0151	OPTION 2	T/H 3.18	DUAL
36	75784-0152	OPTION 2	T/H 3.18	UNIVERSAL
36	75784-0153	OPTION 1	T/H 3.56	LEFT
36	75784-0154	OPTION 1	T/H 3.56	RIGHT
36	75784-0155	OPTION 1	T/H 3.56	DUAL
36	75784-0156	OPTION 1	T/H 3.56	UNIVERSAL
36	75784-0157	OPTION 2	T/H 3.56	LEFT
36	75784-0158	OPTION 2	T/H 3.56	RIGHT
36	75784-0159	OPTION 2	T/H 3.56	DUAL
36	75784-0160	OPTION 2	T/H 3.56	UNIVERSAL

iPass™ IS A TRADEMARK OF MOLEX

THIS DRAWING CONTAINS INFORMATION THAT IS PROPRIETARY TO MOLEX ELECTRONIC TECHNOLOGIES, LLC AND SHOULD NOT BE USED WITHOUT WRITTEN PERMISSION															
<b>SYMBOLS</b> = 0 = 0 = 0 = 0 = 0 = 0 = 0 = 0	DIMENSION UNITS	SCALE	CURRENT REV DESC: MIGRATED TO NX												
	mm	1:1	<b>molex</b>  I-PASS VERT CONNECTOR INTERNAL ASSY W/SHELL 0.8MM PITCH I/O  PRODUCT CUSTOMER DRAWING												
	GENERAL TOLERANCES (UNLESS SPECIFIED)														
	ANGULAR TOL ± 0.5°		EC NO: 666196 DRWN: BBEGALIMADHU 2018/03/05 CHK'D: JKACHLIC 2021/06/21 APPR: JKACHLIC 2021/06/21												
	4 PLACES ±		INITIAL REVISION:												
3 PLACES ±		DRWN: KLANG 2005/04/15			2005/04/18			DOCUMENT NUMBER			DOC TYPE	DOC PART	REVISION		
2 PLACES ± 0.13		DRWN: KLANG			2005/04/15			SD-75784-001			PSD	001	D5		
1 PLACE ± 0.25		APPR: RNELSON			2005/04/18			MATERIAL NUMBER			CUSTOMER		SHEET NUMBER		
0 PLACES ±		DRAFT WHERE APPLICABLE MUST REMAIN WITHIN DIMENSIONS			THIRD ANGLE PROJECTION		DRAWING		SERIES		SEE CHART		GENERAL MARKET		6 OF 13
= 0 = 0				C-SIZE		75784		MATERIAL NUMBER		CUSTOMER		SHEET NUMBER			

# 50 CIRCUIT ITEM NUMBERS

CIRCUIT SIZE	ITEM NUMBER	PLATING OPTION	SHELL PCB OPTION	SHELL KEY OPTION
50	75784-0207	OPTION 1	RETENTION	LEFT
50	75784-0209	OPTION 1	RETENTION	DUAL
50	75784-0210	OPTION 1	SMT	LEFT
50	75784-0211	OPTION 1	SMT	RIGHT
50	75784-0219	OPTION 2	RETENTION	LEFT
50	75784-0220	OPTION 2	RETENTION	RIGHT
50	75784-0221	OPTION 2	RETENTION	DUAL
50	75784-0222	OPTION 2	SMT	LEFT
50	75784-0223	OPTION 2	SMT	RIGHT
50	75784-0224	OPTION 2	SMT	DUAL
50	75784-0227	OPTION 2	RETENTION	UNIVERSAL
50	75784-0228	OPTION 2	SMT	UNIVERSAL
50	75784-0229	OPTION 1	T/H 1.96	LEFT
50	75784-0230	OPTION 1	T/H 1.96	RIGHT
50	75784-0231	OPTION 1	T/H 1.96	DUAL
50	75784-0232	OPTION 1	T/H 1.96	UNIVERSAL
50	75784-0233	OPTION 2	T/H 1.96	LEFT
50	75784-0234	OPTION 2	T/H 1.96	RIGHT
50	75784-0235	OPTION 2	T/H 1.96	DUAL
50	75784-0236	OPTION 2	T/H 1.96	UNIVERSAL

CIRCUIT SIZE	ITEM NUMBER	PLATING OPTION	SHELL PCB OPTION	SHELL KEY OPTION
50	75784-0237	OPTION 1	T/H 2.79	LEFT
50	75784-0238	OPTION 1	T/H 2.79	RIGHT
50	75784-0239	OPTION 1	T/H 2.79	DUAL
50	75784-0240	OPTION 1	T/H 2.79	UNIVERSAL
50	75784-0241	OPTION 2	T/H 2.79	LEFT
50	75784-0242	OPTION 2	T/H 2.79	RIGHT
50	75784-0243	OPTION 2	T/H 2.79	DUAL
50	75784-0244	OPTION 2	T/H 2.79	UNIVERSAL
50	75784-0246	OPTION 1	T/H 3.18	RIGHT
50	75784-0247	OPTION 1	T/H 3.18	DUAL
50	75784-0248	OPTION 1	T/H 3.18	UNIVERSAL
50	75784-0249	OPTION 2	T/H 3.18	LEFT
50	75784-0250	OPTION 2	T/H 3.18	RIGHT
50	75784-0251	OPTION 2	T/H 3.18	DUAL
50	75784-0252	OPTION 2	T/H 3.18	UNIVERSAL

iPass™ IS A TRADEMARK OF MOLEX

<b>SYMBOLS</b> = 0 = 0 = 0 = 0 = 0 = 0 = 0 = 0 = 0	THIS DRAWING CONTAINS INFORMATION THAT IS PROPRIETARY TO MOLEX ELECTRONIC TECHNOLOGIES, LLC AND SHOULD NOT BE USED WITHOUT WRITTEN PERMISSION		CURRENT REV DESC: MIGRATED TO NX		  I-PASS VERT CONNECTOR INTERNAL ASSY W/SHELL 0.8MM PITCH I/O  PRODUCT CUSTOMER DRAWING		
	DIMENSION UNITS	SCALE	EC NO: 666196 DRWN: BBEGALIMADHU 2018/03/05 CHK'D: JKACHLIC 2021/06/21 APPR: JKACHLIC 2021/06/21				
	mm	1:1					
	GENERAL TOLERANCES (UNLESS SPECIFIED)		INITIAL REVISION: DRWN: KLANG 2005/04/15 APPR: RNELSON 2005/04/18				
ANGULAR TOL ± 0.5°							
4 PLACES ±	3 PLACES ±	DOCUMENT NUMBER <span style="font-size: 12px; font-weight: bold;">SD-75784-001</span>		DOC TYPE	DOC PART	REVISION	
2 PLACES ± 0.13	1 PLACE ± 0.25			PSD	001	D5	
0 PLACES ±	DRAFT WHERE APPLICABLE MUST REMAIN WITHIN DIMENSIONS	THIRD ANGLE PROJECTION	DRAWING	SERIES	MATERIAL NUMBER	CUSTOMER	SHEET NUMBER
		C-SIZE	75784	SEE CHART	GENERAL MARKET	7 OF 13	

# 68 CIRCUIT ITEM NUMBERS

CIRCUIT SIZE	ITEM NUMBER	PLATING OPTION	SHELL PCB OPTION	SHELL KEY OPTION
68	75784-0309	OPTION 1	RETENTION	DUAL
68	75784-0310	OPTION 1	SMT	LEFT
68	75784-0311	OPTION 1	SMT	RIGHT
68	75784-0312	OPTION 1	SMT	DUAL
68	75784-0319	OPTION 2	RETENTION	LEFT
68	75784-0321	OPTION 2	RETENTION	DUAL
68	75784-0322	OPTION 2	SMT	LEFT
68	75784-0323	OPTION 2	SMT	RIGHT
68	75784-0325	OPTION 1	RETENTION	UNIVERSAL
68	75784-0331	OPTION 1	T/H 1.96	DUAL
68	75784-0332	OPTION 1	T/H 1.96	UNIVERSAL
68	75784-0335	OPTION 2	T/H 1.96	DUAL
68	75784-0336	OPTION 2	T/H 1.96	UNIVERSAL

CIRCUIT SIZE	ITEM NUMBER	PLATING OPTION	SHELL PCB OPTION	SHELL KEY OPTION
68	75784-0338	OPTION 1	T/H 2.79	RIGHT
68	75784-0339	OPTION 1	T/H 2.79	DUAL
68	75784-0340	OPTION 1	T/H 2.79	UNIVERSAL
68	75784-0341	OPTION 2	T/H 2.79	LEFT
68	75784-0342	OPTION 2	T/H 2.79	RIGHT
68	75784-0343	OPTION 2	T/H 2.79	DUAL
68	75784-0344	OPTION 2	T/H 2.79	UNIVERSAL
68	75784-0345	OPTION 1	T/H 3.18	LEFT
68	75784-0346	OPTION 1	T/H 3.18	RIGHT
68	75784-0347	OPTION 1	T/H 3.18	DUAL
68	75784-0348	OPTION 1	T/H 3.18	UNIVERSAL
68	75784-0349	OPTION 2	T/H 3.18	LEFT
68	75784-0350	OPTION 2	T/H 3.18	RIGHT
68	75784-0352	OPTION 2	T/H 3.18	UNIVERSAL

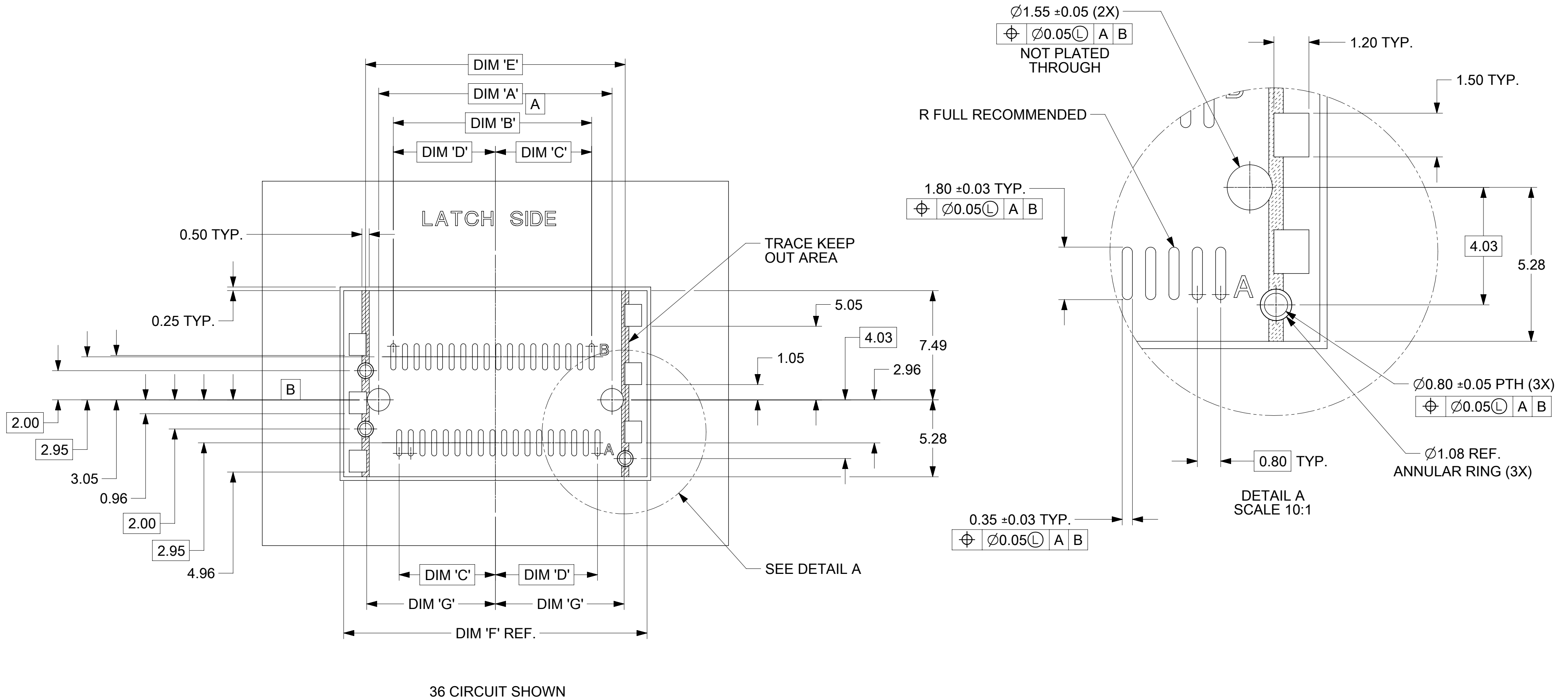
iPass™ IS A TRADEMARK OF MOLEX

SYMBOLS		THIS DRAWING CONTAINS INFORMATION THAT IS PROPRIETARY TO MOLEX ELECTRONIC TECHNOLOGIES, LLC AND SHOULD NOT BE USED WITHOUT WRITTEN PERMISSION						
DIMENSION UNITS	SCALE	CURRENT REV DESC: MIGRATED TO NX						
= 0	mm	1:1						
= 0	GENERAL TOLERANCES (UNLESS SPECIFIED)		EC NO: 666196 DRWN: BBEGALIMADHU 2018/03/05 CHK'D: JKACHLIC 2021/06/21 APPR: JKACHLIC 2021/06/21		I-PASS VERT CONNECTOR INTERNAL ASSY W/SHELL 0.8MM PITCH I/O			
= 0	ANGULAR TOL ± 0.5°							
= 0	4 PLACES ±							
= 0	3 PLACES ±		INITIAL REVISION: DRWN: KLANG 2005/04/15 APPR: RNELSON 2005/04/18		PRODUCT CUSTOMER DRAWING			
= 0	2 PLACES ± 0.13							
= 0	1 PLACE ± 0.25							
= 0	0 PLACES ±		THIRD ANGLE PROJECTION 		DOCUMENT NUMBER	DOC TYPE	DOC PART	REVISION
= 0	DRAFT WHERE APPLICABLE MUST REMAIN WITHIN DIMENSIONS				DRAWING	SERIES	MATERIAL NUMBER	CUSTOMER
= 0			C-SIZE	75784	SEE CHART	GENERAL MARKET		8 OF 13





# VERTICAL CONNECTOR WITH SMT SHELL PCB FOOT PRINT



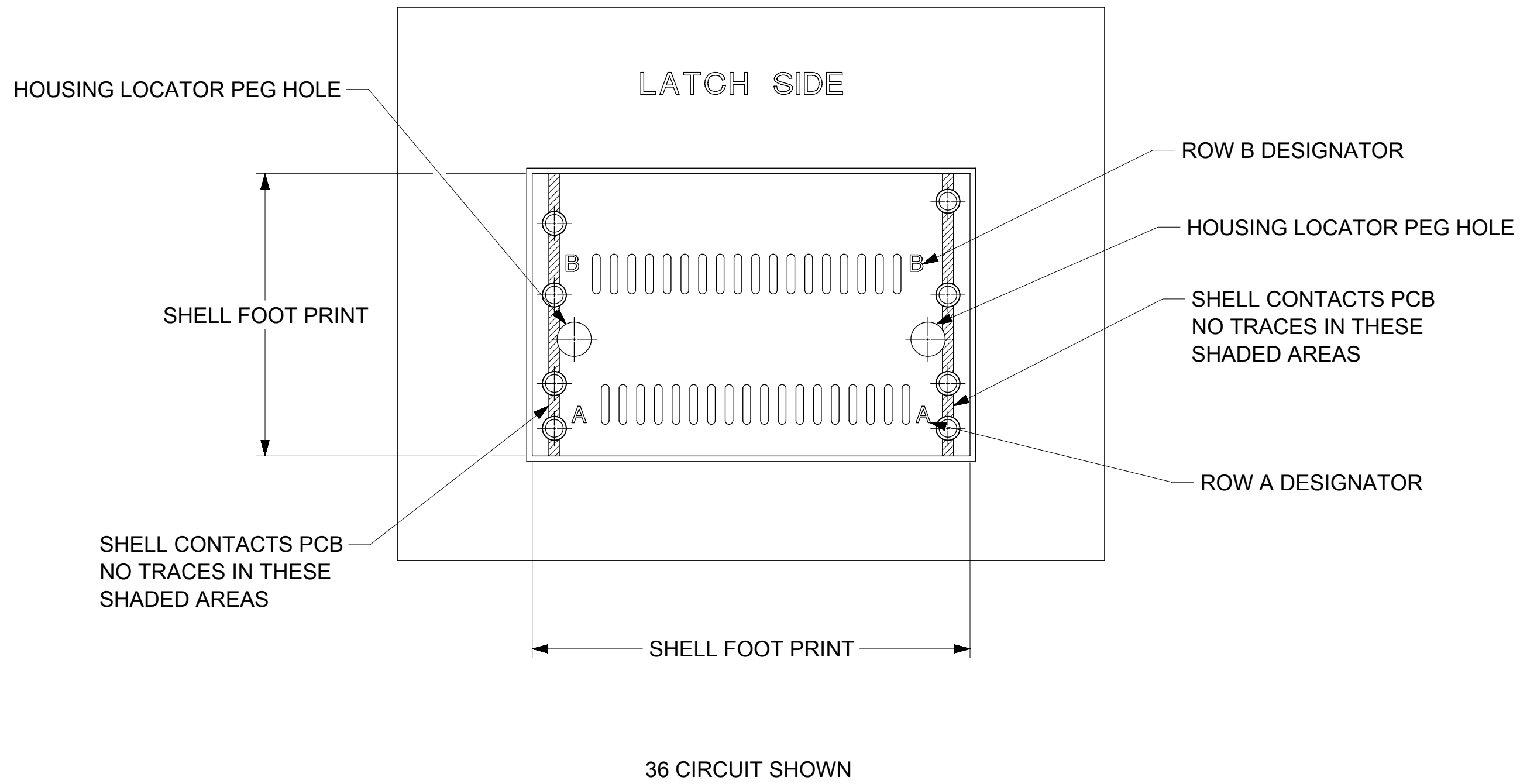
36 CIRCUIT SHOWN

	PEG TO PEG	FIRST TO LAST PAD	CENTERLINE TO PAD	CENTERLINE TO PAD	SHELL PEG TO PEG	SHELL FOOTPRINT WIDTH	CENTERLINE TO PAD EDGE
CIRCUIT SIZE	DIM 'A'	DIM 'B'	DIM 'C'	DIM 'D'	DIM 'E'	DIM 'F'	DIM 'G'
26	12.00	9.60	4.60	5.00	13.80	16.80	6.825
36	16.00	13.60	6.60	7.00	17.80	20.80	8.825
50	21.60	19.20	9.40	9.80	23.40	26.40	11.625
68	28.80	26.40	13.00	13.40	30.60	33.60	15.225

iPass™ IS A TRADEMARK OF MOLEX

<b>SYMBOLS</b>	THIS DRAWING CONTAINS INFORMATION THAT IS PROPRIETARY TO MOLEX ELECTRONIC TECHNOLOGIES, LLC AND SHOULD NOT BE USED WITHOUT WRITTEN PERMISSION	SCALE <b>5:1</b>	CURRENT REV DESC: MIGRATED TO NX
▽ = 0	mm		
▽ = 0	GENERAL TOLERANCES (UNLESS SPECIFIED)		
▽ = 0	ANGULAR TOL ± 0.5°		
▽ = 0	4 PLACES ±	EC NO: 666196	
▽ = 0	3 PLACES ±	DRWN: BBEGALIMADHU 2018/03/05	
▽ = 0	2 PLACES ± 0.13	CHK'D: JKACHLIC 2021/06/21	
▽ = 0	1 PLACE ± 0.25	APPR: JKACHLIC 2021/06/21	
▽ = 0	0 PLACES ±	INITIAL REVISION:	
▽ = 0		DRWN: KLANG 2005/04/15	
▽ = 0		APPR: RNELSON 2005/04/18	
▽ = 0	DRAFT WHERE APPLICABLE MUST REMAIN WITHIN DIMENSIONS	THIRD ANGLE PROJECTION	DRAWING SERIES
			C-SIZE 75784
		MATERIAL NUMBER	CUSTOMER
		SEE CHART	GENERAL MARKET
		DOCUMENT NUMBER	DOC TYPE   DOC PART   REVISION
		SD-75784-001	PSD 001 D5
		SHEET NUMBER	10 OF 13

# VERTICAL CONNECTOR WITH SHELL PCB FOOT PRINT DESCRIPTIONS



iPass™ IS A TRADEMARK OF MOLEX

THIS DRAWING CONTAINS INFORMATION THAT IS PROPRIETARY TO MOLEX ELECTRONIC TECHNOLOGIES, LLC AND SHOULD NOT BE USED WITHOUT WRITTEN PERMISSION																																							
SYMBOLS	DIMENSION UNITS	SCALE	CURRENT REV DESC: MIGRATED TO NX																																				
▽ = 0	mm	5:1	<table style="width: 100%; border-collapse: collapse;"> <tr> <td colspan="2">EC NO: 666196</td> <td colspan="5"></td> </tr> <tr> <td>DRWN: BBEGALIMADHU</td> <td>2018/03/05</td> <td colspan="5"></td> </tr> <tr> <td>CHK'D: JKACHLIC</td> <td>2021/06/21</td> <td colspan="5"></td> </tr> <tr> <td>APPR: JKACHLIC</td> <td>2021/06/21</td> <td colspan="5"></td> </tr> </table>							EC NO: 666196							DRWN: BBEGALIMADHU	2018/03/05						CHK'D: JKACHLIC	2021/06/21						APPR: JKACHLIC	2021/06/21							
EC NO: 666196																																							
DRWN: BBEGALIMADHU	2018/03/05																																						
CHK'D: JKACHLIC	2021/06/21																																						
APPR: JKACHLIC	2021/06/21																																						
GENERAL TOLERANCES (UNLESS SPECIFIED)			<table style="width: 100%; border-collapse: collapse;"> <tr> <td colspan="2">INITIAL REVISION:</td> <td colspan="5"></td> </tr> <tr> <td>DRWN: KLANG</td> <td>2005/04/15</td> <td colspan="5"></td> </tr> <tr> <td>APPR: RNELSON</td> <td>2005/04/18</td> <td colspan="5"></td> </tr> <tr> <td colspan="2">DRAFT WHERE APPLICABLE MUST REMAIN WITHIN DIMENSIONS</td> <td colspan="2" style="text-align: center;">THIRD ANGLE PROJECTION</td> <td style="text-align: center;">DRAWING</td> <td style="text-align: center;">SERIES</td> <td colspan="3"></td> </tr> </table>							INITIAL REVISION:							DRWN: KLANG	2005/04/15						APPR: RNELSON	2005/04/18						DRAFT WHERE APPLICABLE MUST REMAIN WITHIN DIMENSIONS		THIRD ANGLE PROJECTION		DRAWING	SERIES			
INITIAL REVISION:																																							
DRWN: KLANG	2005/04/15																																						
APPR: RNELSON	2005/04/18																																						
DRAFT WHERE APPLICABLE MUST REMAIN WITHIN DIMENSIONS		THIRD ANGLE PROJECTION		DRAWING	SERIES																																		
▽ = 0	4 PLACES	±	<table style="width: 100%; border-collapse: collapse;"> <tr> <td colspan="2" style="text-align: center;">PRODUCT CUSTOMER DRAWING</td> <td colspan="2" style="text-align: center;">DOCUMENT NUMBER</td> <td style="text-align: center;">DOC TYPE</td> <td style="text-align: center;">DOC PART</td> <td style="text-align: center;">REVISION</td> </tr> <tr> <td colspan="2" style="text-align: center;">SD-75784-001</td> <td style="text-align: center;">PSD</td> <td style="text-align: center;">001</td> <td colspan="3" style="text-align: center;">D5</td> </tr> <tr> <td colspan="2" style="text-align: center;">SEE CHART</td> <td colspan="2" style="text-align: center;">CUSTOMER</td> <td colspan="3" style="text-align: center;">SHEET NUMBER</td> </tr> </table>							PRODUCT CUSTOMER DRAWING		DOCUMENT NUMBER		DOC TYPE	DOC PART	REVISION	SD-75784-001		PSD	001	D5			SEE CHART		CUSTOMER		SHEET NUMBER											
PRODUCT CUSTOMER DRAWING		DOCUMENT NUMBER								DOC TYPE	DOC PART	REVISION																											
SD-75784-001		PSD								001	D5																												
SEE CHART		CUSTOMER		SHEET NUMBER																																			
▽ = 0	3 PLACES	±	MATERIAL NUMBER		CUSTOMER		SHEET NUMBER																																
▽ = 0	2 PLACES	± 0.13	SEE CHART		GENERAL MARKET		11 OF 13																																
▽ = 0	1 PLACE	± 0.25	SEE CHART		GENERAL MARKET		11 OF 13																																
▽ = 0	0 PLACES	±	SEE CHART		GENERAL MARKET		11 OF 13																																

## molex

I-PASS VERT CONNECTOR  
INTERNAL ASSY W/SHELL 0.8MM PITCH I/O

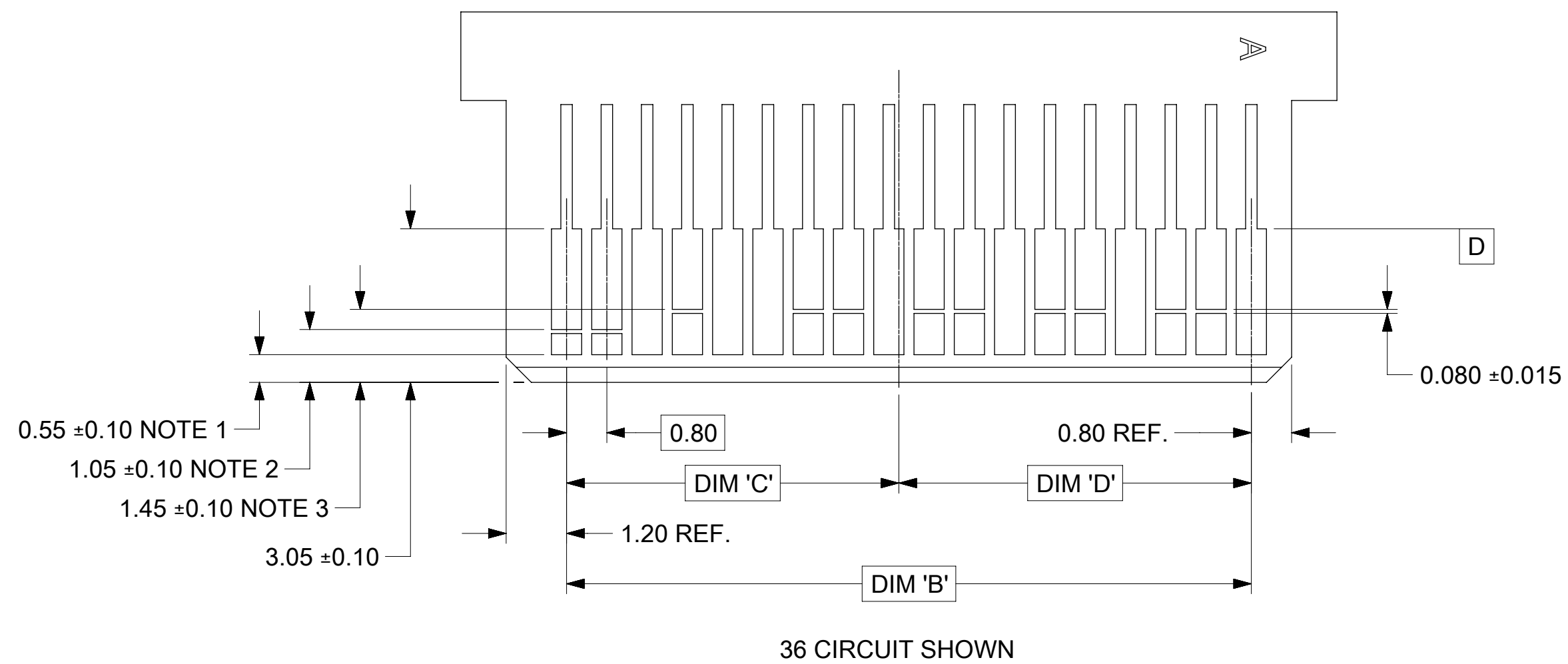
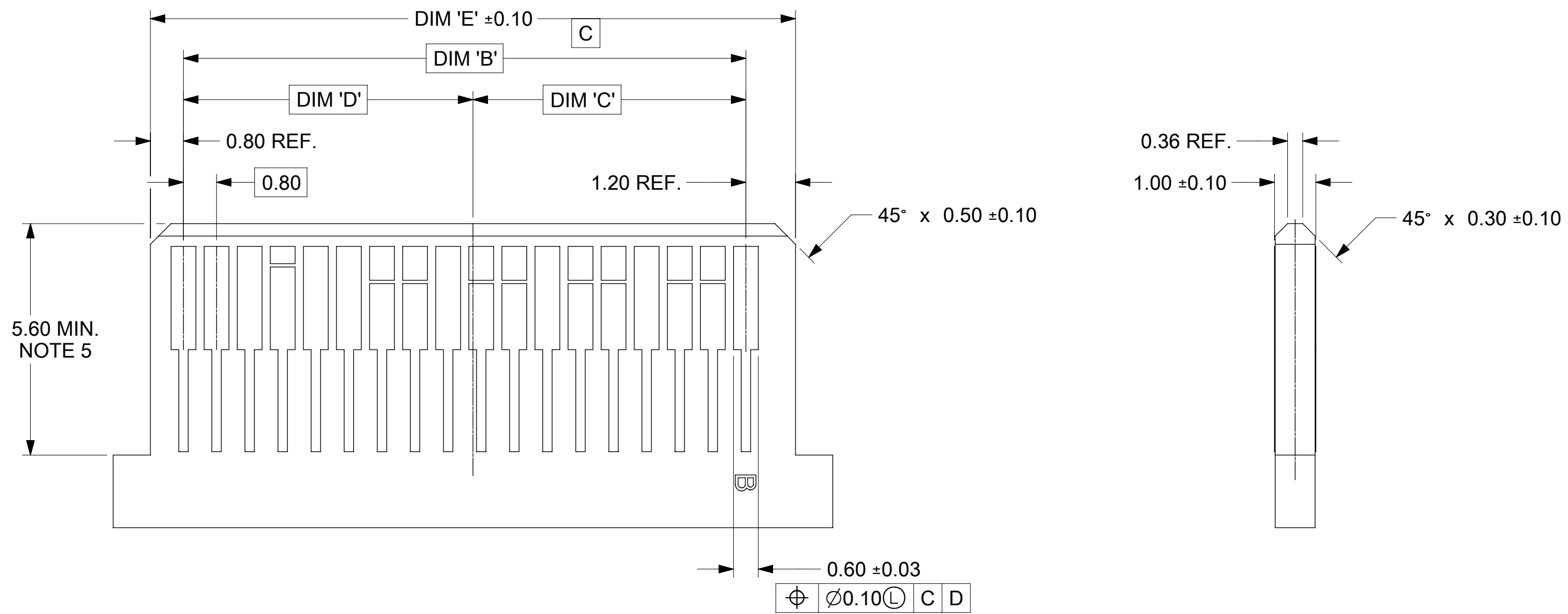
PRODUCT CUSTOMER DRAWING

SD-75784-001

PSD 001 D5

SEE CHART GENERAL MARKET 11 OF 13

# MATING INTERFACE (FOR REFERENCE ONLY)



- NOTES:
- PAD CONFIGURATION FOR FIRST MATE.
  - PAD CONFIGURATION FOR SECOND MATE.
  - PAD CONFIGURATION FOR THIRD MATE. (HIGH SPEED SIGNALS)
  - FOR PIN ASSIGNMENTS AND MATING SEQUENCE (1ST, 2ND, 3RD), SEE APPLICABLE SPECIFICATION.
  - MINIMUM STEP REQUIRED IF PCB MADE WIDER THAN TONGUE.

iPass™ IS A TRADEMARK OF MOLEX

CIRCUIT SIZE	TERM/SIDE 'N'	DIM 'B'	DIM 'C'	DIM 'D'	DIM 'E'
26	13	9.60	4.60	5.00	11.60
36	18	13.60	6.60	7.00	15.60
50	25	19.20	9.40	9.80	21.20
68	34	26.40	13.00	13.40	28.40

SYMBOLS		THIS DRAWING CONTAINS INFORMATION THAT IS PROPRIETARY TO MOLEX ELECTRONIC TECHNOLOGIES, LLC AND SHOULD NOT BE USED WITHOUT WRITTEN PERMISSION		CURRENT REV DESC: MIGRATED TO NX	
▽ = 0	DIMENSION UNITS	mm	SCALE	1:1	<p>EC NO: 666196</p> <p>DRWN: BBEGALIMADHU 2018/03/05</p> <p>CHK'D: JKACHLIC 2021/06/21</p> <p>APPR: JKACHLIC 2021/06/21</p> <p>INITIAL REVISION:</p> <p>DRWN: KLANG 2005/04/15</p> <p>APPR: RNELSON 2005/04/18</p>
▽ = 0	GENERAL TOLERANCES (UNLESS SPECIFIED)				
▽ = 0	ANGULAR TOL ± 0.5°				
▽ = 0	4 PLACES ±				
▽ = 0	3 PLACES ±				
▽ = 0	2 PLACES ± 0.13				
▽ = 0	1 PLACE ± 0.25				
▽ = 0	0 PLACES ±				
▽ = 0	DRAFT WHERE APPLICABLE MUST REMAIN WITHIN DIMENSIONS		THIRD ANGLE PROJECTION	DRAWING	SERIES
			C-SIZE	75784	
DOCUMENT STATUS		P1	RELEASE DATE	2021/06/21 03:48:56	
DOCUMENT NUMBER		CUSTOMER		SHEET NUMBER	
SD-75784-001		GENERAL MARKET		12 OF 13	

**molex**

I-PASS VERT CONNECTOR  
INTERNAL ASSY W/SHELL 0.8MM PITCH I/O

PRODUCT CUSTOMER DRAWING


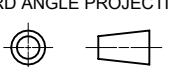
DOC TYPE DOC PART REVISION  
PSD 001 D5

SEE CHART

REVISION DESCRIPTION

REV	DATE	DESCRIPTION
D5	2019/4/17	DRAWING MIGRATION TO ECTR

H  
G  
F  
E  
D  
C  
B  
A

FUNCTIONAL SYMBOLS	THIS DRAWING CONTAINS INFORMATION THAT IS PROPRIETARY TO MOLEX ELECTRONIC TECHNOLOGIES, LLC AND SHOULD NOT BE USED WITHOUT WRITTEN PERMISSION											
	DIMENSION UNITS	SCALE	CURRENT REV DESC: MIGRATED TO NX									
$\nabla_A = 0$	mm	1:1	EC NO: 666196 DRWN: BBEGALIMADHU 2018/03/05 CHK'D: JKACHLIC 2021/06/21 APPR: JKACHLIC 2021/06/21									I-PASS VERT CONNECTOR INTERNAL ASSY W/SHELL 0.8MM PITCH I/O
$\nabla_C = 0$	GENERAL TOLERANCES (UNLESS SPECIFIED)											
$\nabla_P = 0$	ANGULAR TOL $\pm 0.5^\circ$		INITIAL REVISION: DRWN: KLANG 2005/04/15 APPR: RNELSON 2005/04/18							PRODUCT CUSTOMER DRAWING		
DIVISIONAL SYMBOLS	4 PLACES $\pm$											
	3 PLACES $\pm$		DOCUMENT NUMBER <b>SD-75784-001</b>							DOC TYPE	DOC PART	REVISION
	2 PLACES $\pm 0.13$									PSD	001	D5
	1 PLACE $\pm 0.25$		MATERIAL NUMBER		CUSTOMER			SHEET NUMBER				
	0 PLACES $\pm$		SEE CHART	GENERAL MARKET			13 OF 13					
	DRAFT WHERE APPLICABLE MUST REMAIN WITHIN DIMENSIONS	THIRD ANGLE PROJECTION	DRAWING	SERIES	MATERIAL NUMBER		CUSTOMER					
			C-SIZE	75784	SEE CHART		GENERAL MARKET					

DOCUMENT STATUS	P1	RELEASE DATE	2021/06/21 03:48:56
-----------------	----	--------------	---------------------