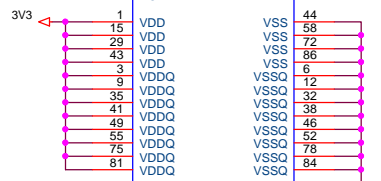


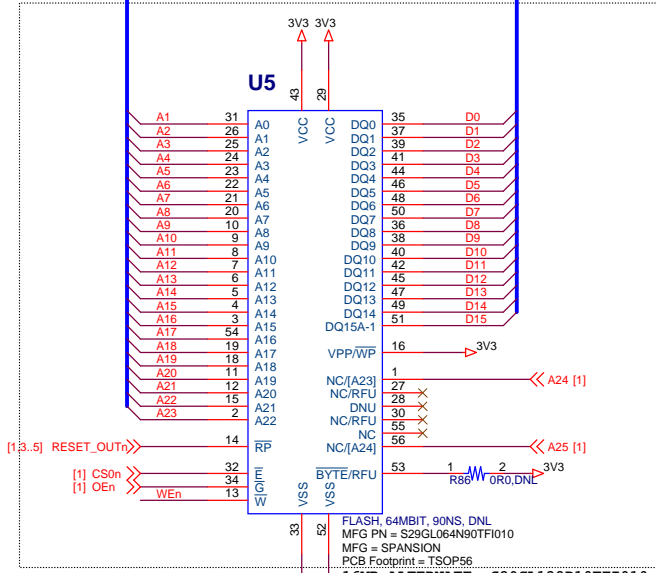
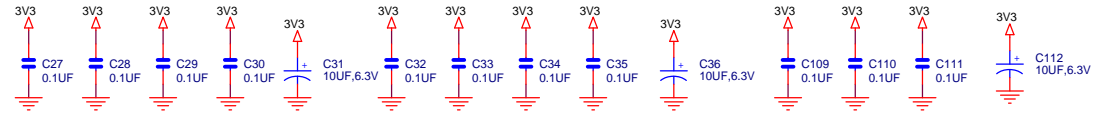
A11 REQUIRED FOR 8MX32
A12 REQUIRED FOR 16MX32

[1] CKE >> CKE
[1] CLK >> CLK
[1] DQM0 >> DQM0
[1] DQM1 >> DQM1
[1] DQM2 >> DQM2
[1] DQM3 >> DQM3
[1] CAS# >> CAS#
[1] RAS# >> RAS#
[1] WE# >> WE#
[1] SDRAM_CS# >> CS#



SDRAM, 64MBIT, 167MHZ
MFG PN = MT48LC2M32B2P-6:G TR
PCB Footprint = TSOP86
MT48LC4M32B2P ALTERNATE (16MB)
IS42S32800D-7TL ALTERNATE (32MB)

SDRAM (8MB TO 32MB)

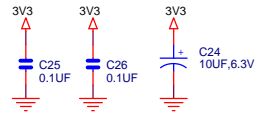


[1,3..5] RESET_OUT# >> RF
[1] CS# >> CS#
[1] OE# >> OE#
WE# >> WE#

FLASH, 64MBIT, 90NS, DNL
MFG PN = S29GL064N90TFI010
MFG = SPANSION
PCB Footprint = TSOP56
16MB ALTERNATE: S29GL128P10TFI010
16MB ALTERNATE: S29GL128S10TFI020 - DO NOT LOAD R86
32MB ALTERNATE: S29GL256S10TFI010 - DO NOT LOAD R86
64MB ALTERNATE: S29GL512S10TFI020 - DO NOT LOAD R86

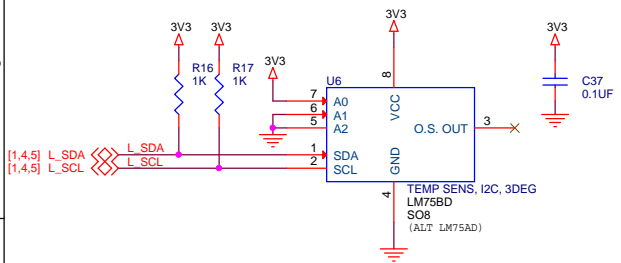
NOR FLASH (8MB TO 64MB)

NOT NORMALLY LOADED WITH LPC4088



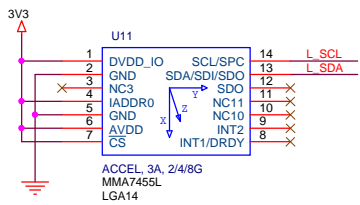
FUTURE DESIGNS, INC. 996 A CLEANER WAY HUNTSVILLE, AL 35805		
Title SDRAM FLASH		
Size B	Document Number UEZGUI-4088-43WQN	Rev 1
Date: Wednesday, August 21, 2013		Sheet 2 of 5

TO CONVERT FROM USB MINI-AB TO USB A
 UTILIZE CABLE SHOWN BELOW, AVAILABLE
 FROM DIGI-KEY, PN: 10-00003-ND



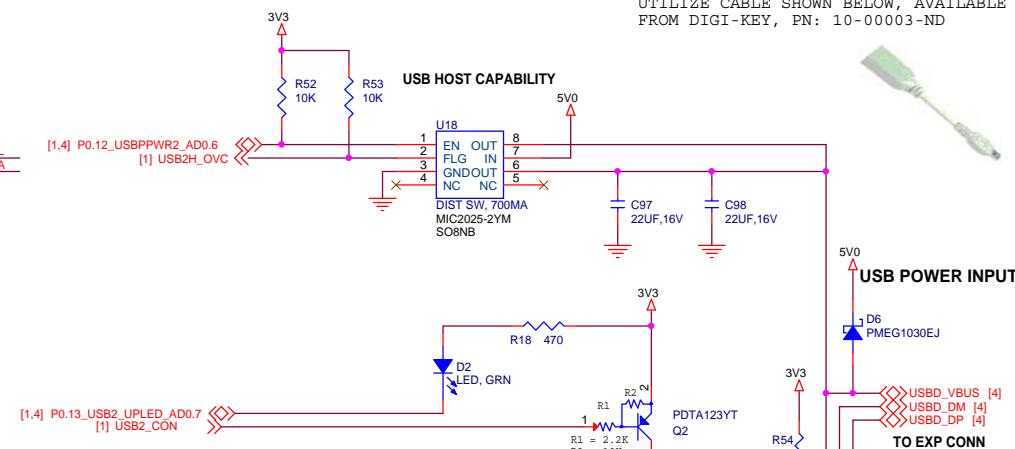
TEMP SENSOR

I2C ADDRESS = 0x92
 Range & Accuracy: +/- 2 C from -25 C to 100 C
 +/- 3 C from -55 C to 125 C



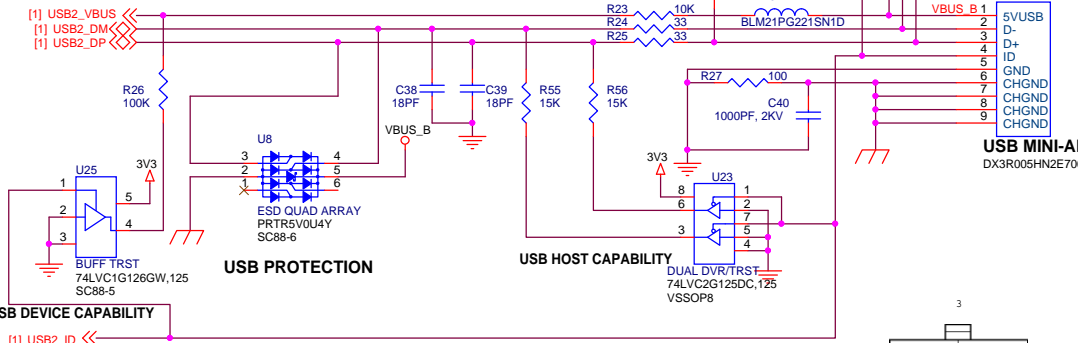
3D ACCELEROMETER

I2C ADDRESS = 0x1D



USB PORT

SOFTCONNECT FOR REENUMERATION

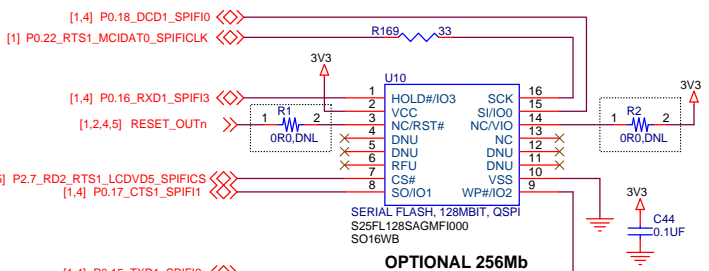
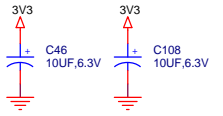
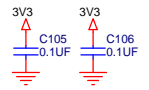


USB PROTECTION

USB HOST CAPABILITY

USB DEVICE CAPABILITY
 [1] USB2_ID <<

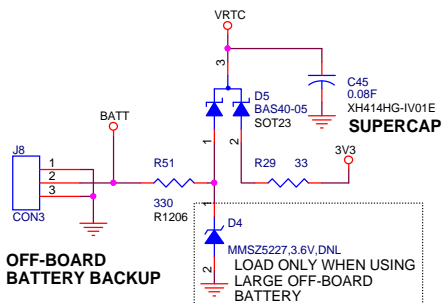
USB_ID IS HIGH FOR DEVICE, LOW FOR HOST



QUADSPI/SPIFI SERIAL FLASH

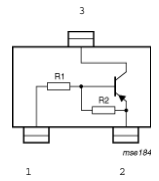
SERIAL FLASH, 128MBIT, QSPI
 S25FL128SAGMF000
 SO16WB

OFF-BOARD BATTERY BACKUP



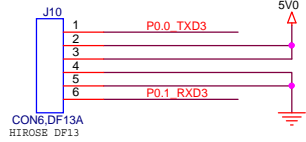
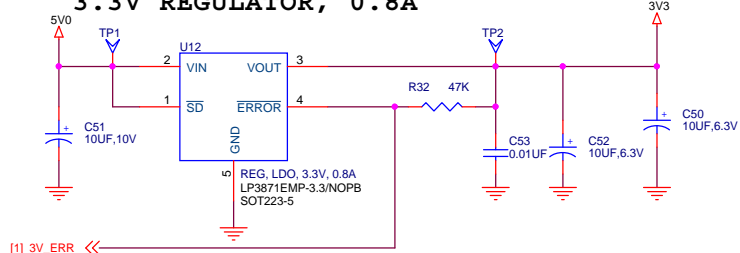
SUPERCAP

MMS25227, 3.6V, DNL
 LOAD ONLY WHEN USING
 LARGE OFF-BOARD
 BATTERY

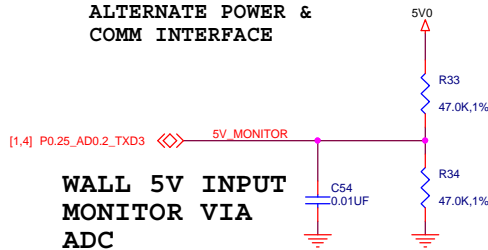


FUTURE DESIGNS, INC. 996 A CLEANER WAY HUNTSVILLE, AL 35805		
Title: USB DEVICE I2C PERIPHERALS		
Size B	Document Number UEZGUI-4088-43WQN	Rev 1
Date: Wednesday, August 21, 2013		Sheet 3 of 5

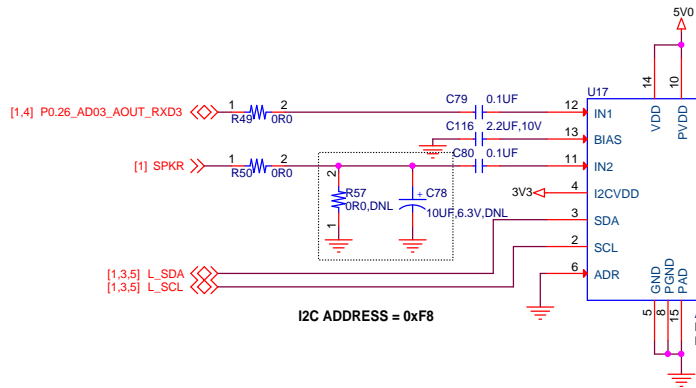
3.3V REGULATOR, 0.8A



ALTERNATE POWER & COMM INTERFACE



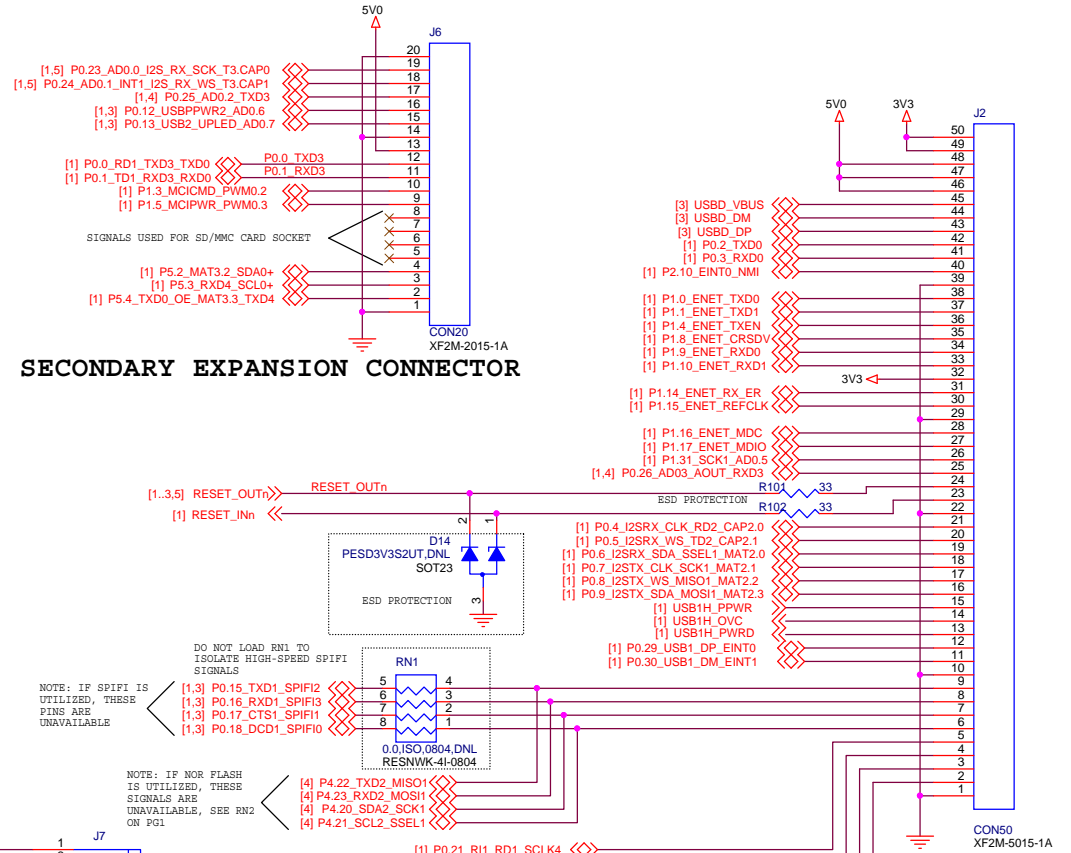
WALL 5V INPUT MONITOR VIA ADC



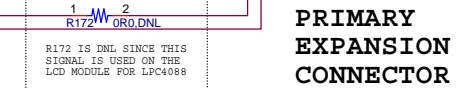
AMPLIFIER

1.3W BTL AMPLIFIER
3.6V TO 5.5V SUPPLY
8 OHM THD=<1%
-54db TO +18db GAIN
12.5KOHM INPUT IMPEDANCE

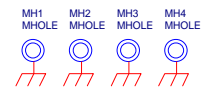
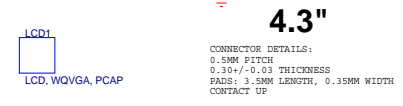
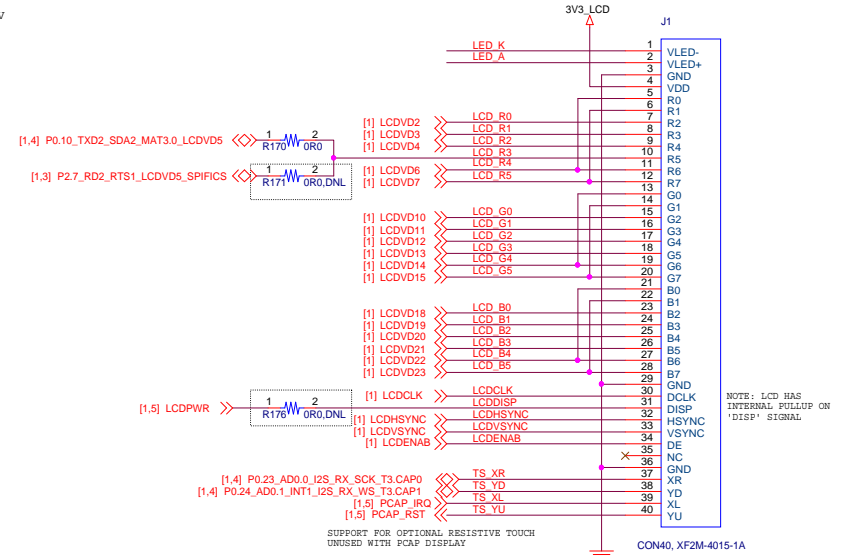
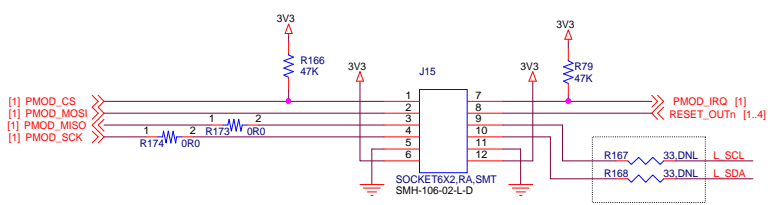
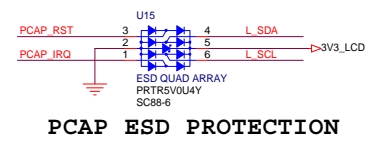
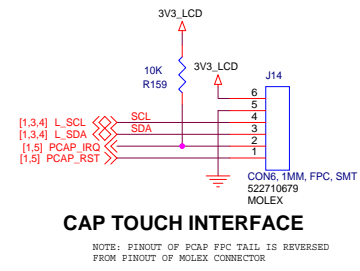
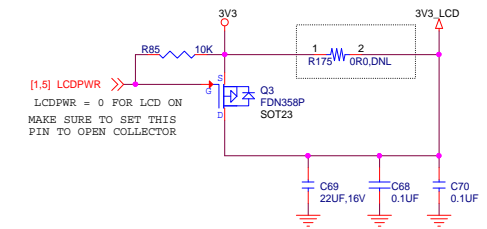
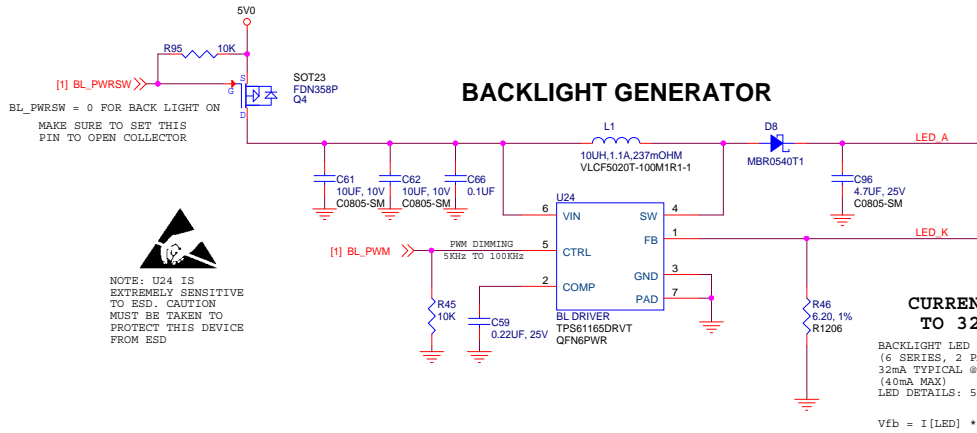
SECONDARY EXPANSION CONNECTOR



PRIMARY EXPANSION CONNECTOR



FUTURE DESIGNS, INC. 996 A CLEANER WAY HUNTSVILLE, AL 35805		FDI
Title	VREG IO CONN SPKR	
Size	Document Number UEZGUJ-4088-43WQON	Rev 1
Date:	Tuesday, November 05, 2013	Sheet 4 of 5



FUTURE DESIGNS, INC. 986 A CLEANER WAY HUNTSVILLE, AL 35805		
Title	LCD TP BL, WIFI	
Size	Document Number UEZGUI-4088-43WCN	Rev 1
Date:	Friday, October 25, 2013	Sheet 5 of 5