

Customer Information Sheet

DRAWING No.: KAI-201XX98F2

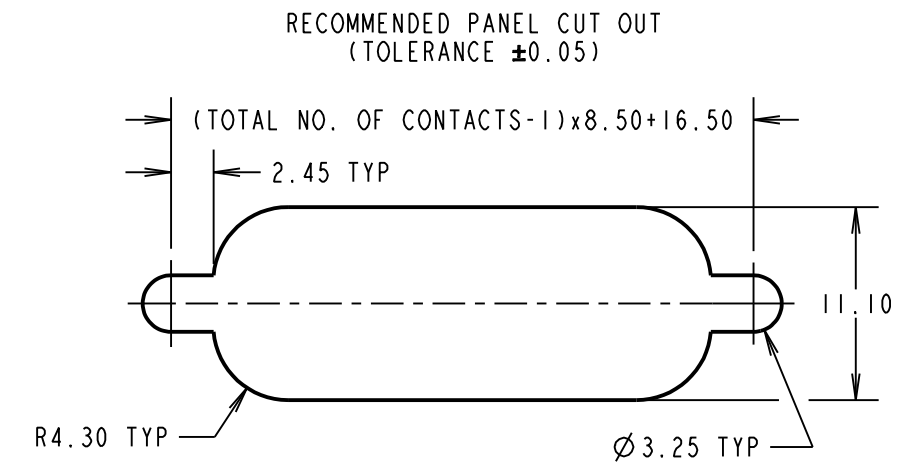
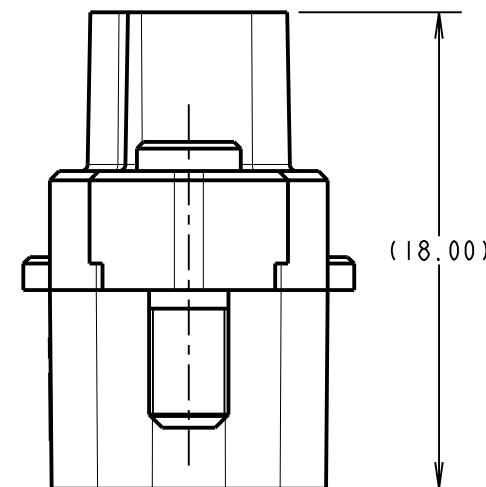
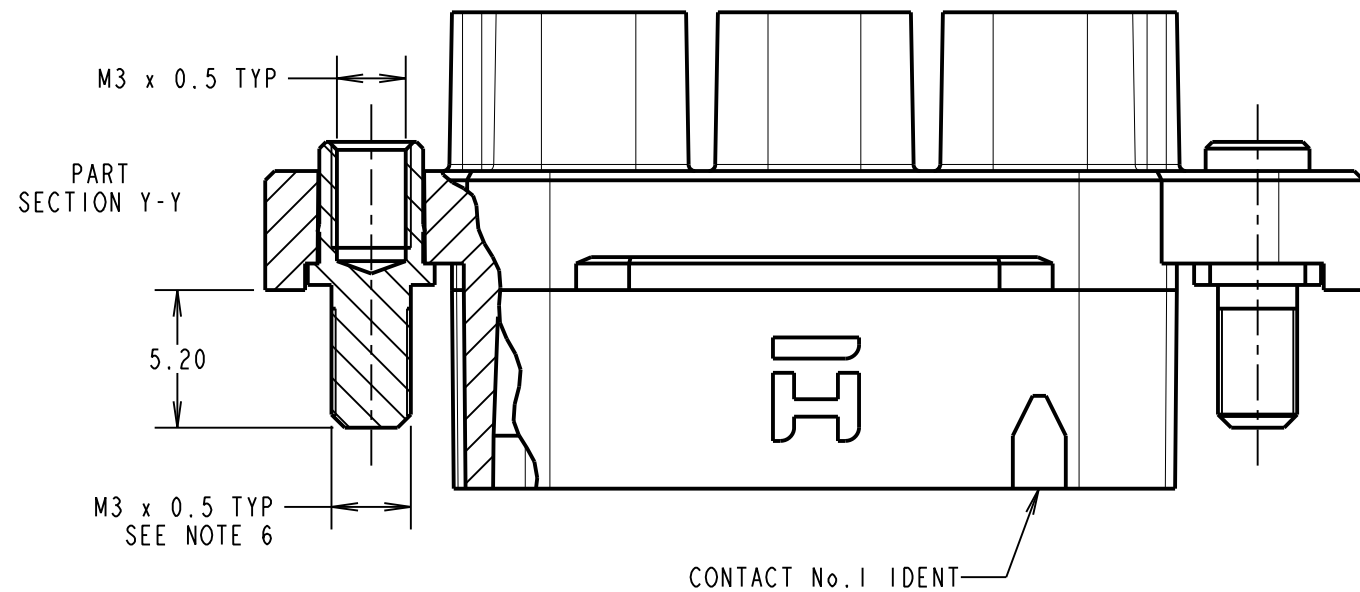
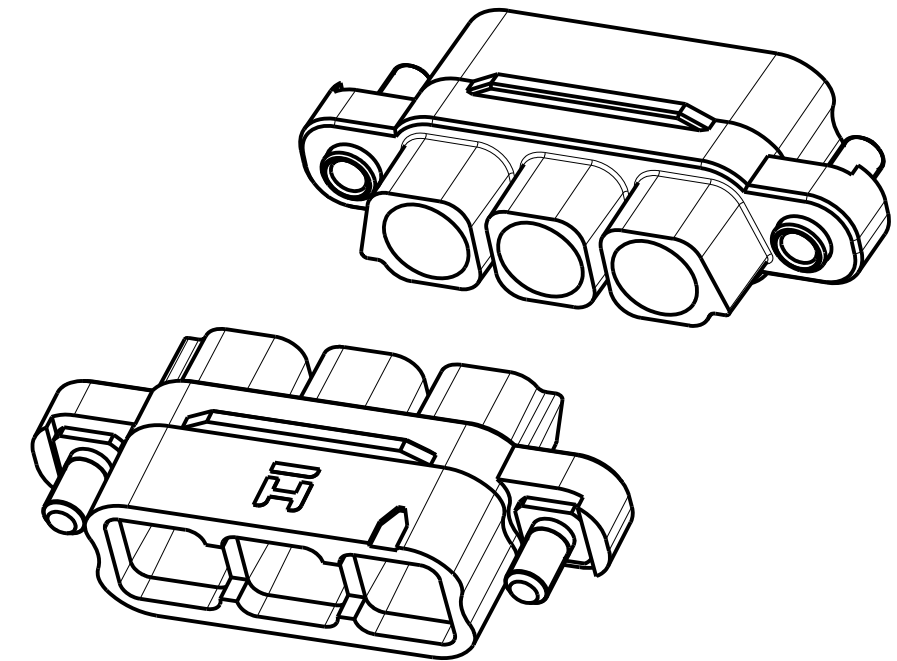
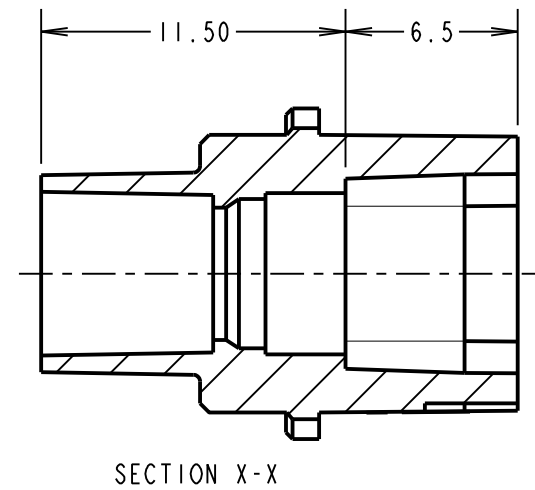
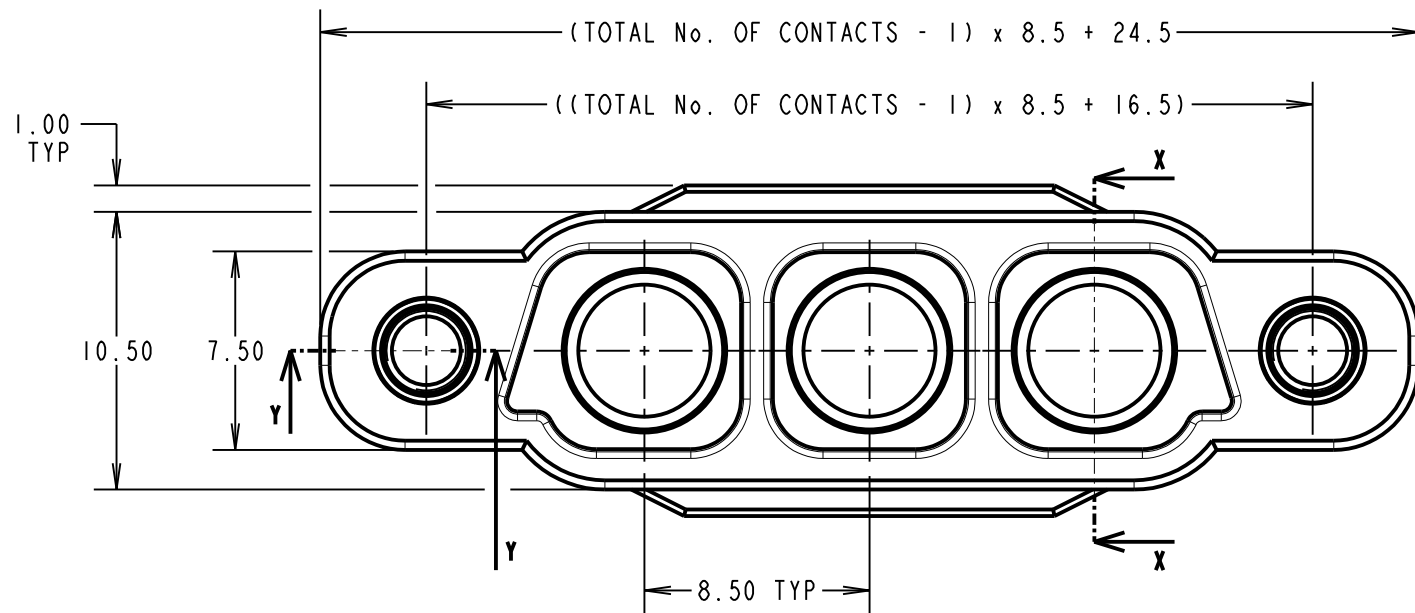
IF IN DOUBT - ASK

©

NOT TO SCALE

THIRD ANGLE PROJECTION

ALL DIMENSIONS IN mm



NOTES:

1. PACK SIZE: 5
2. MOULDING TO BE USED WITH KAI-0400005 SOLDER CUP CONTACTS.
3. FOR ASSEMBLY INSTRUCTIONS SEE INSTRUCTION SHEET IS49.
4. FOR MATERIALS, FINISH AND SPECIFICATIONS SEE KAI SERIES. COMPONENT SPECIFICATION C052XX (LATEST ISSUE) FOR FULL SPECIFICATION.
5. DRAWING SHOWS HOUSING WITH 3 CONTACT POSITIONS.
6. FOR PANEL MOUNT NUTS ORDER SEPARATELY PART NUMBER: KAI-4240000 ROUND SLOTTED NUT - BAG OF 20

MR	2	10.03.21	30380
NAME	ISS.	DATE	CN/CO
APPROVED: M.RUDKIN			
CHECKED: R.PORTLOCK			
DRAWN: M.RUDKIN			
CUSTOMER REF.:			
ASSEMBLY DRG:			

ORDER CODE: **KAI-201XX98F2**
 TOTAL No. OF CONTACTS: 02, 03, & 04.

<p>www.harwin.com technical@harwin.com</p>	<p>THIS DRAWING AND ANY INFORMATION OR DESCRIPTIVE MATTER SET OUT HEREON ARE CONFIDENTIAL AND COPYRIGHT PROPERTY OF THE HARWIN GROUP AND MUST NOT BE DISCLOSED, LOANED, COPIED OR USED FOR MANUFACTURING, TENDERING OR FOR ANY OTHER PURPOSE WITHOUT THEIR WRITTEN PERMISSION.</p>	<p>TOLERANCES</p> <p>X. = ± 1mm X.X = ± 0.50mm X.XX = ± 0.20mm X.XXX = ± 0.01mm</p> <p>ANGLES = $\pm 5^\circ$ UNLESS STATED</p>	<p>MATERIAL:</p> <p>SEE ABOVE</p>	<p>TITLE:</p> <p>KONA SERIES - FEMALE CABLE PANEL MOUNT CONNECTOR</p>
			<p>FINISH: SEE ABOVE</p> <p>S/AREA: mm²</p>	<p>DRAWING NUMBER:</p> <p>KAI-201XX98F2</p>